



US00D614482S

(12) **United States Design Patent**  
**Hay et al.**

(10) **Patent No.:** **US D614,482 S**  
(45) **Date of Patent:** **\*\* Apr. 27, 2010**

(54) **ROOFING TILE CLIP**

(76) Inventors: **Gregory Malcolm Hay**, 52-54  
Alexander Ave., Taren Point NSW (AU)  
2229; **Grant Ison**, 12 Tomah Place,  
Sylvania NSW (AU) 2224

(\*\*) Term: **14 Years**

(21) Appl. No.: **29/321,505**

(22) Filed: **Jul. 17, 2008**

(51) **LOC (9) Cl.** ..... **08-08**

(52) **U.S. Cl.** ..... **D8/394**

(58) **Field of Classification Search** ..... D8/356,  
D8/383, 394-396; 24/16 PB, 17 AP, 30.5 P,  
24/30.5 S, 300-302, 339, DIG. 16; 248/58,  
248/60, 74.3, 71; 70/16; 128/878; 52/699,  
52/703, 712, 713, 714

See application file for complete search history.

(56) **References Cited**

U.S. PATENT DOCUMENTS

1,975,304	A *	10/1934	Walter	52/520
2,528,418	A *	10/1950	Buckels	248/57
3,104,087	A *	9/1963	Budnick et al.	248/343
3,518,421	A *	6/1970	Cogdill	248/57
4,024,685	A *	5/1977	Aarons	52/278
4,047,353	A *	9/1977	Aarons	52/713
4,165,851	A *	8/1979	Bowden et al.	248/57
4,182,090	A *	1/1980	Aarons	52/489.1
5,077,952	A *	1/1992	Moore	52/489.1
5,392,579	A *	2/1995	Champagne	52/520

5,485,931	A *	1/1996	Barr, Jr.	211/70.6
5,800,089	A *	9/1998	Donaton	403/393
6,250,041	B1 *	6/2001	Seccombe	52/712
6,446,915	B1 *	9/2002	Ismert	248/68.1
7,191,994	B2 *	3/2007	Johnson et al.	248/343
7,377,472	B2 *	5/2008	Brown et al.	248/74.1
2006/0179783	A1	8/2006	Hay	

FOREIGN PATENT DOCUMENTS

AU 305368 S 2/2006

\* cited by examiner

*Primary Examiner*—T. Chase Nelson  
*Assistant Examiner*—John Windmuller  
(74) *Attorney, Agent, or Firm*—Design IP

(57) **CLAIM**

The ornamental design for a roofing tile clip, as shown and described.

**DESCRIPTION**

FIG. 1 is a front perspective view from above of a roofing tile clip showing our new design;

FIG. 2 is a rear perspective view from below thereof;

FIG. 3 is a top orthographic view thereof;

FIG. 4 is a left side orthographic view thereof;

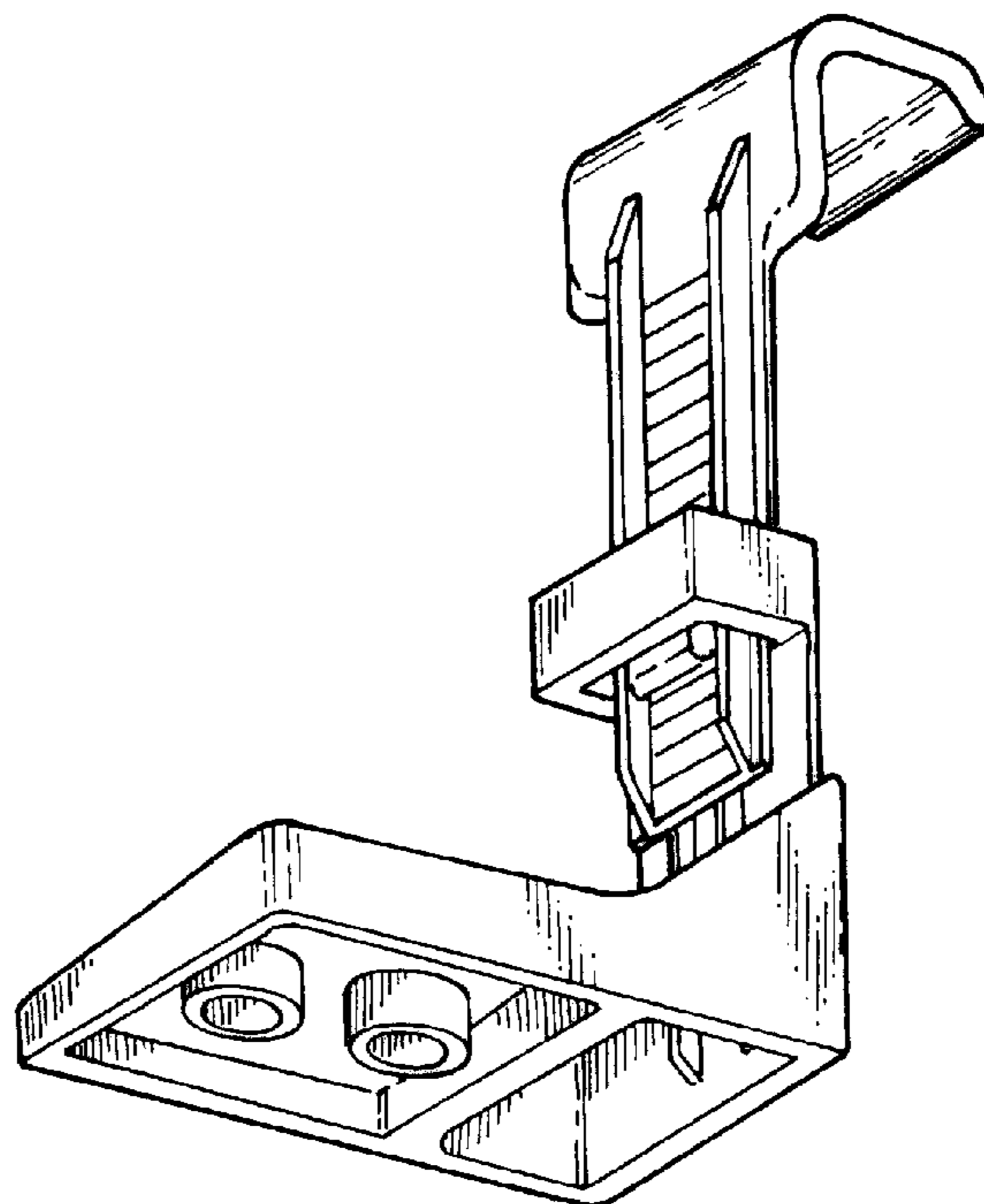
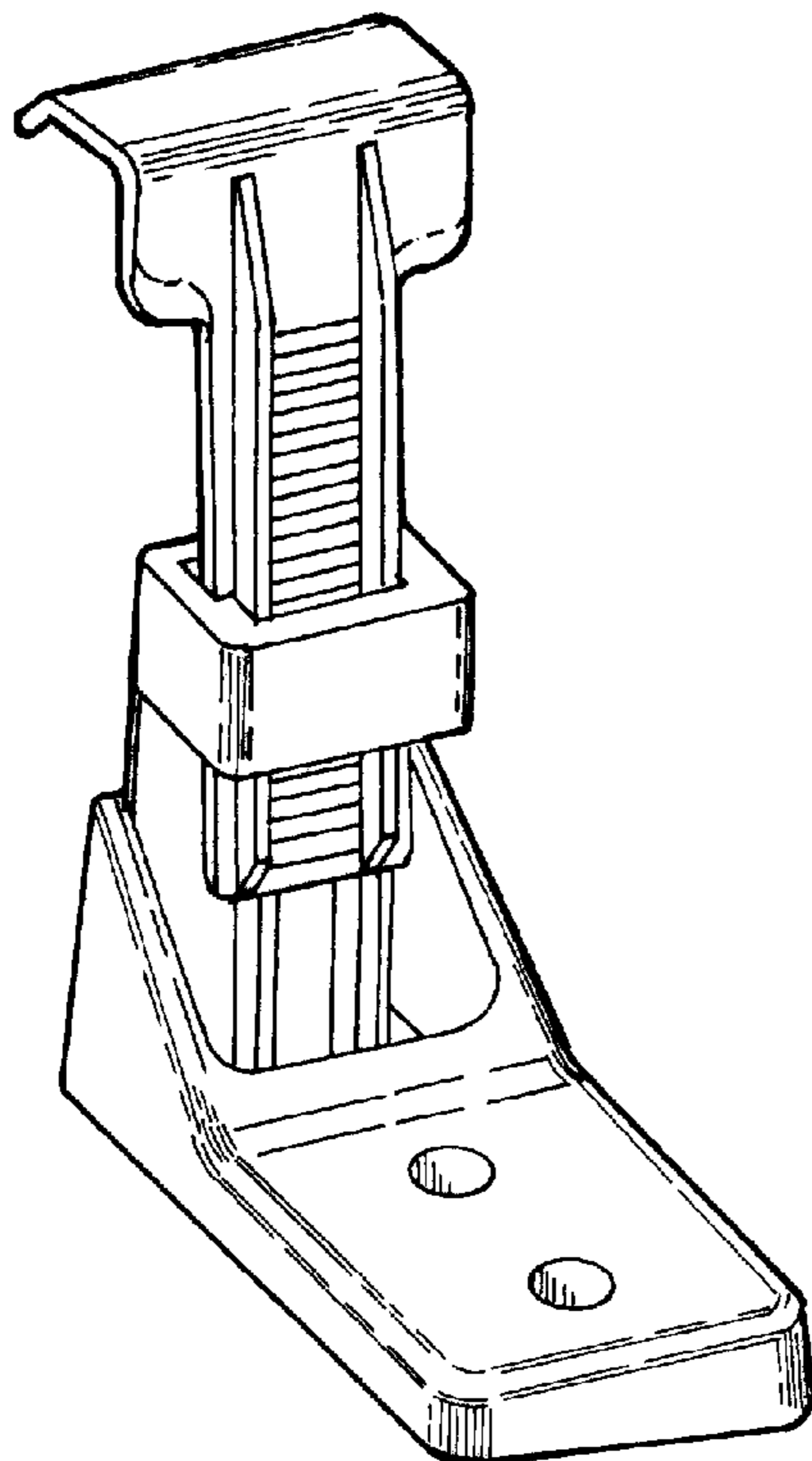
FIG. 5 is a bottom orthographic view thereof;

FIG. 6 is a front orthographic view thereof;

FIG. 7 is a right side orthographic view thereof; and,

FIG. 8 is a rear orthographic view thereof.

**1 Claim, 4 Drawing Sheets**



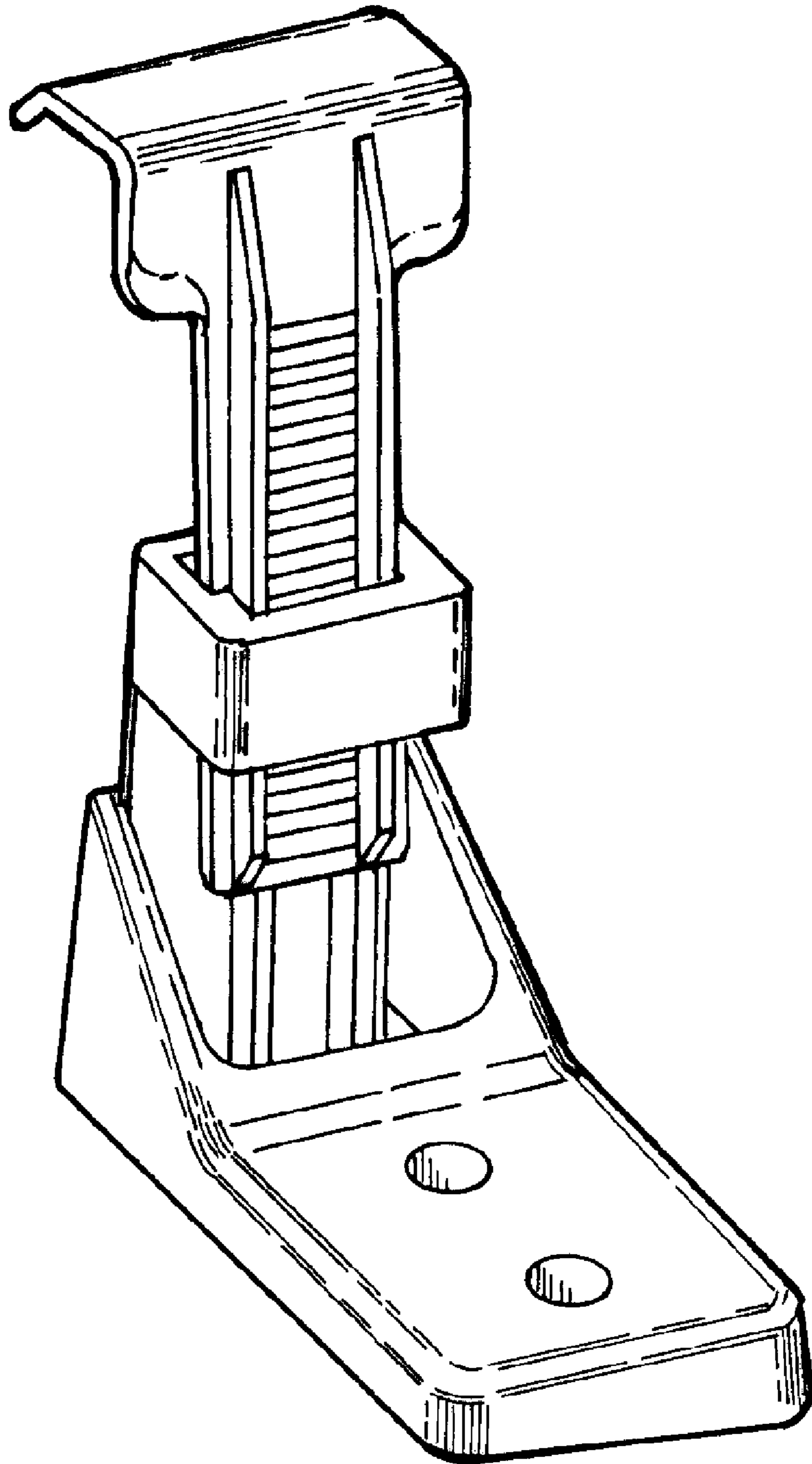


FIG. 1

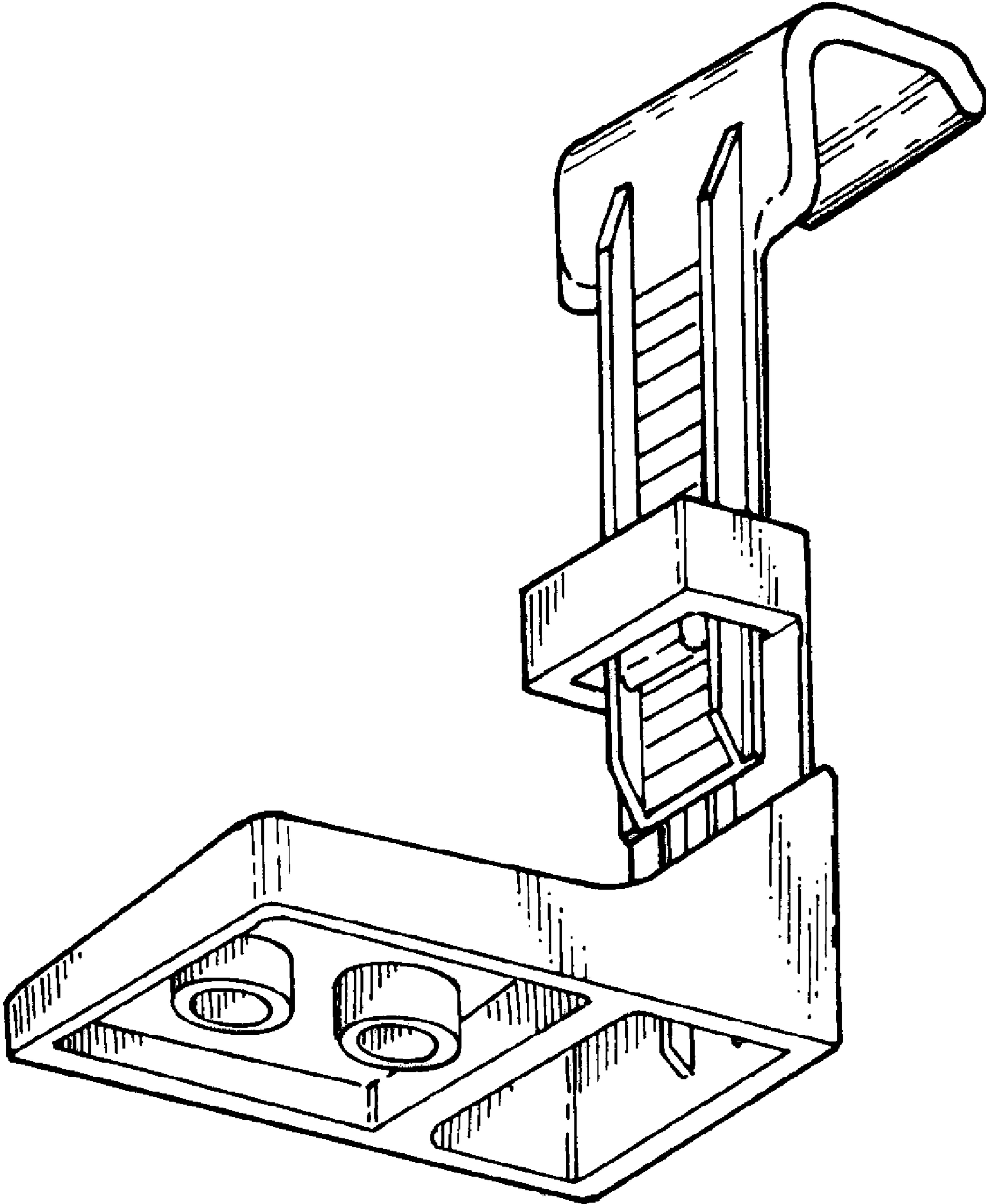


FIG. 2

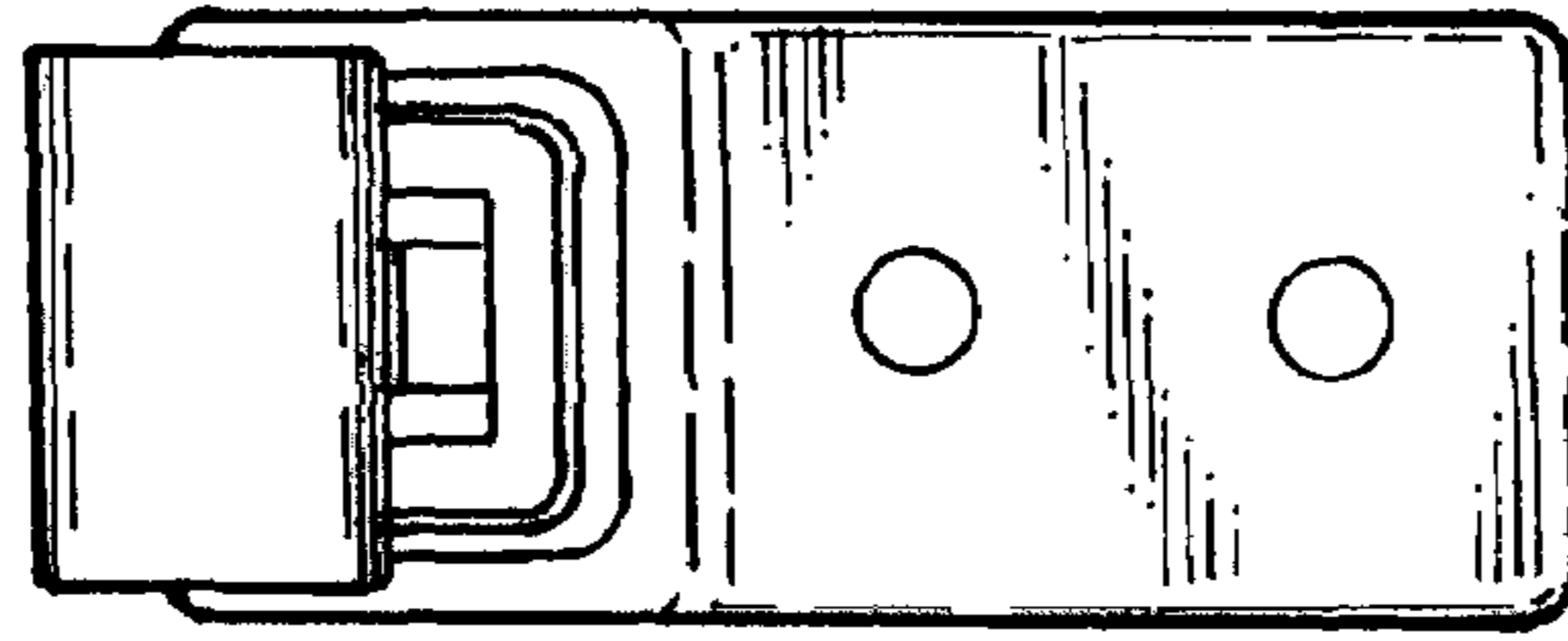


FIG. 3

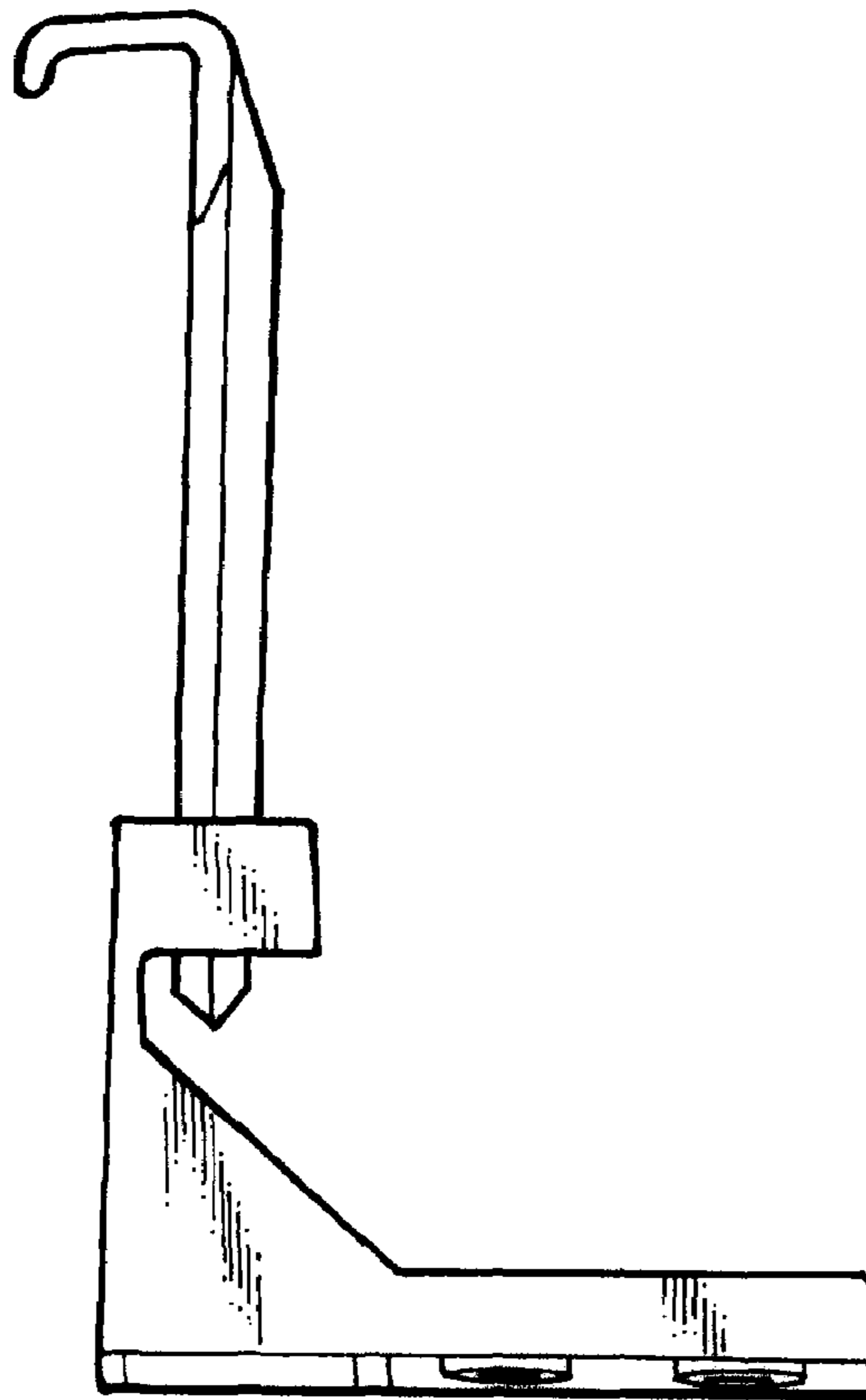


FIG. 4

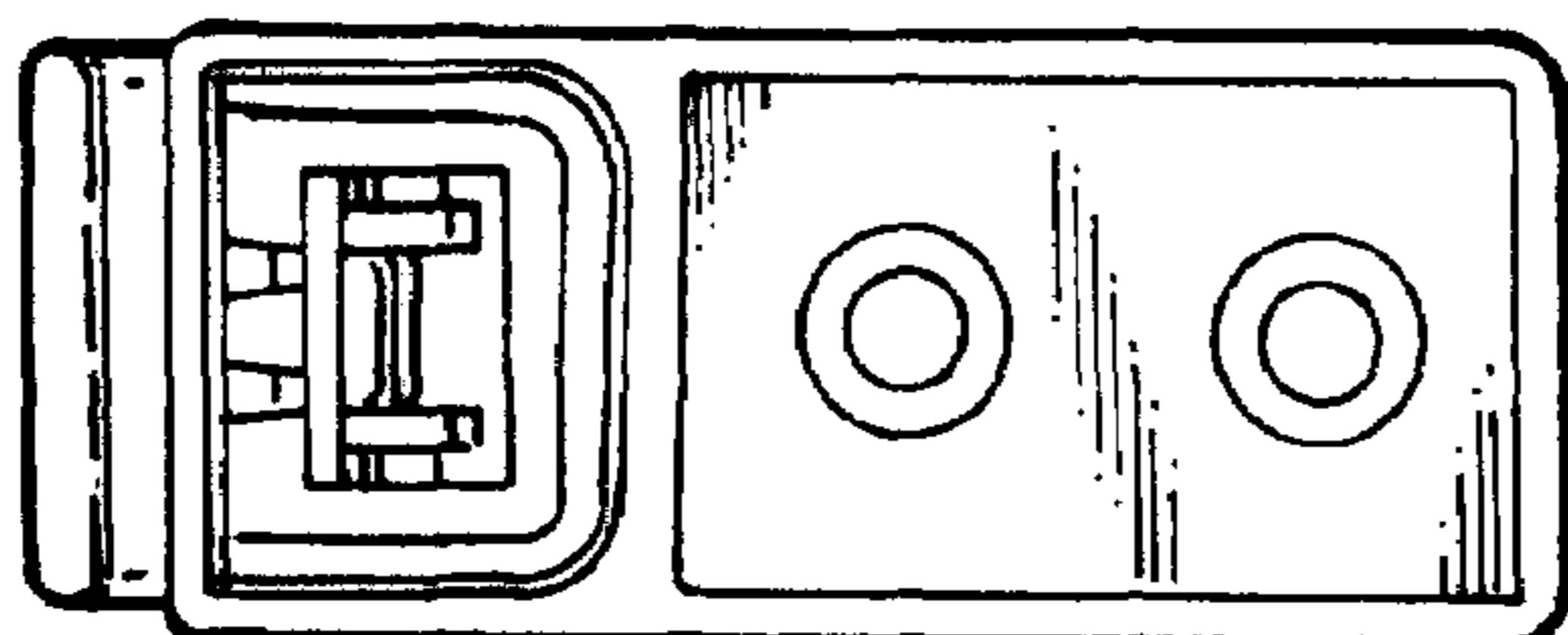


FIG. 5

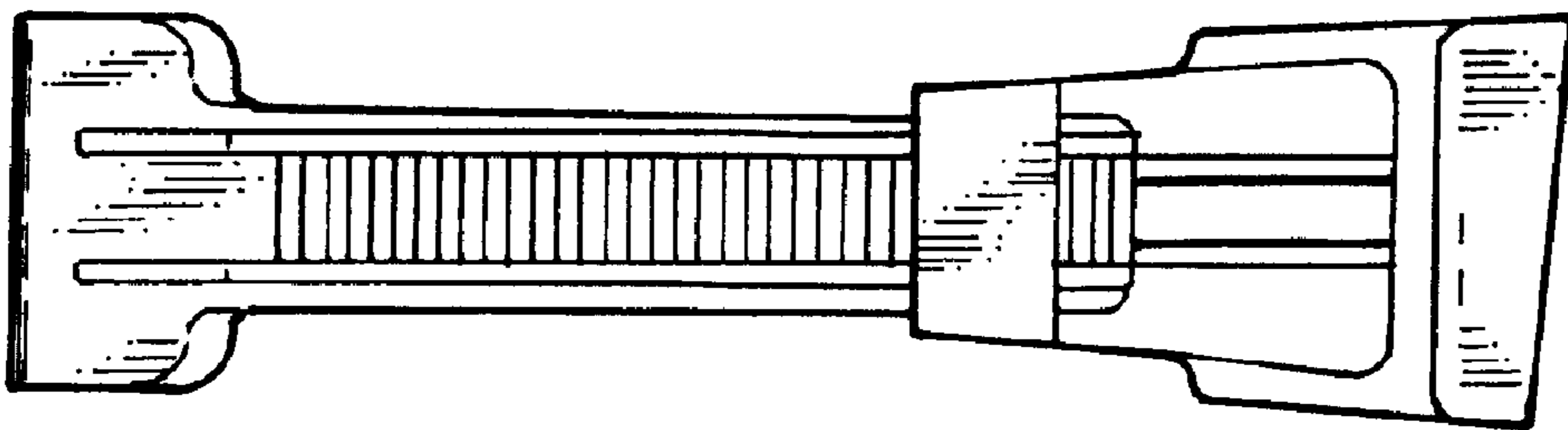


FIG. 6

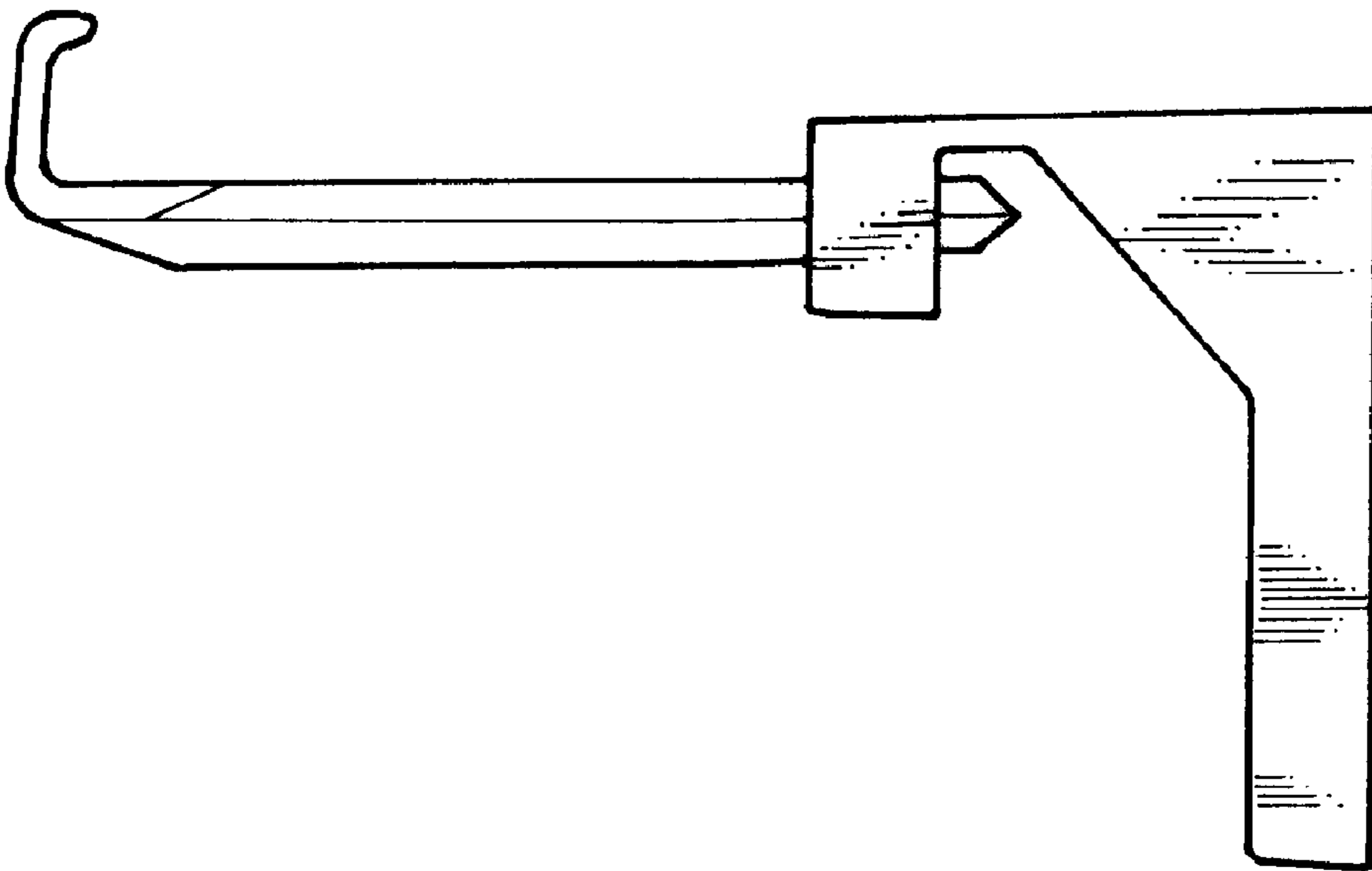


FIG. 7

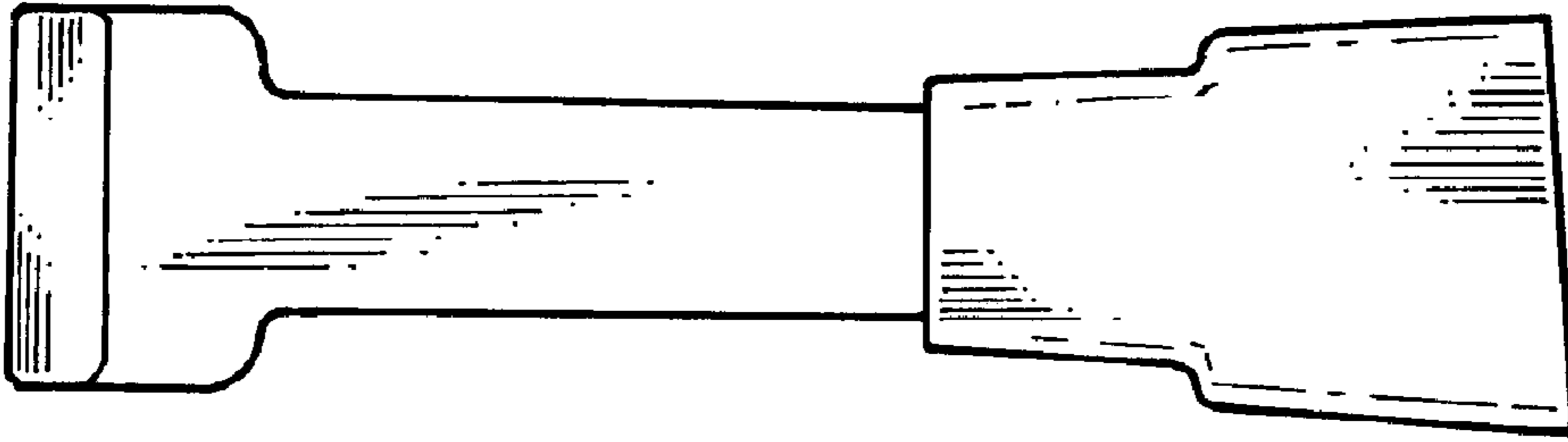


FIG. 8