



US00D614480S

(12) **United States Design Patent**
Goodman et al.

(10) **Patent No.:** **US D614,480 S**
(45) **Date of Patent:** **** Apr. 27, 2010**

(54) **OVER-THE-DOOR HOOK**

(75) Inventors: **Sheldon H. Goodman**, Solon, OH (US);
Omer I. Sazir, Cleveland, OH (US);
Patrick Triato, Tremont, OH (US)

(73) Assignee: **Spectrum Diversified Designs, Inc.**,
Streetsboro, OH (US)

(**) Term: **14 Years**

(21) Appl. No.: **29/341,408**

(22) Filed: **Aug. 5, 2009**

(51) **LOC (9) Cl.** **08-01**

(52) **U.S. Cl.** **D8/372**

(58) **Field of Classification Search** D8/367,
D8/372; 248/301–304, 339

See application file for complete search history.

(56) **References Cited**

U.S. PATENT DOCUMENTS

D412,250 S * 7/1999 Pardue D6/323
D557,120 S * 12/2007 Snell D8/372
D576,021 S * 9/2008 Goodman et al. D8/372

* cited by examiner

Primary Examiner—Holly H Baynham

(74) *Attorney, Agent, or Firm*—Pearne & Gordon LLP

(57) **CLAIM**

The ornamental design for an over-the-door hook, as shown and described.

DESCRIPTION

FIG. 1 is a top plan view of an over-the-door hook showing our new design;

FIG. 2 is a front elevational view thereof;

FIG. 3 is a right side elevational view thereof, the left side elevational view being a mirror image;

FIG. 4 is a perspective view thereof;

FIG. 5 is a rear elevational view thereof;

FIG. 6 is a bottom plan view thereof;

FIG. 7 is an alternate environmental top plan view thereof;

FIG. 8 is a front elevational view thereof;

FIG. 9 is a right side elevational view thereof, the left side elevational view being a mirror image;

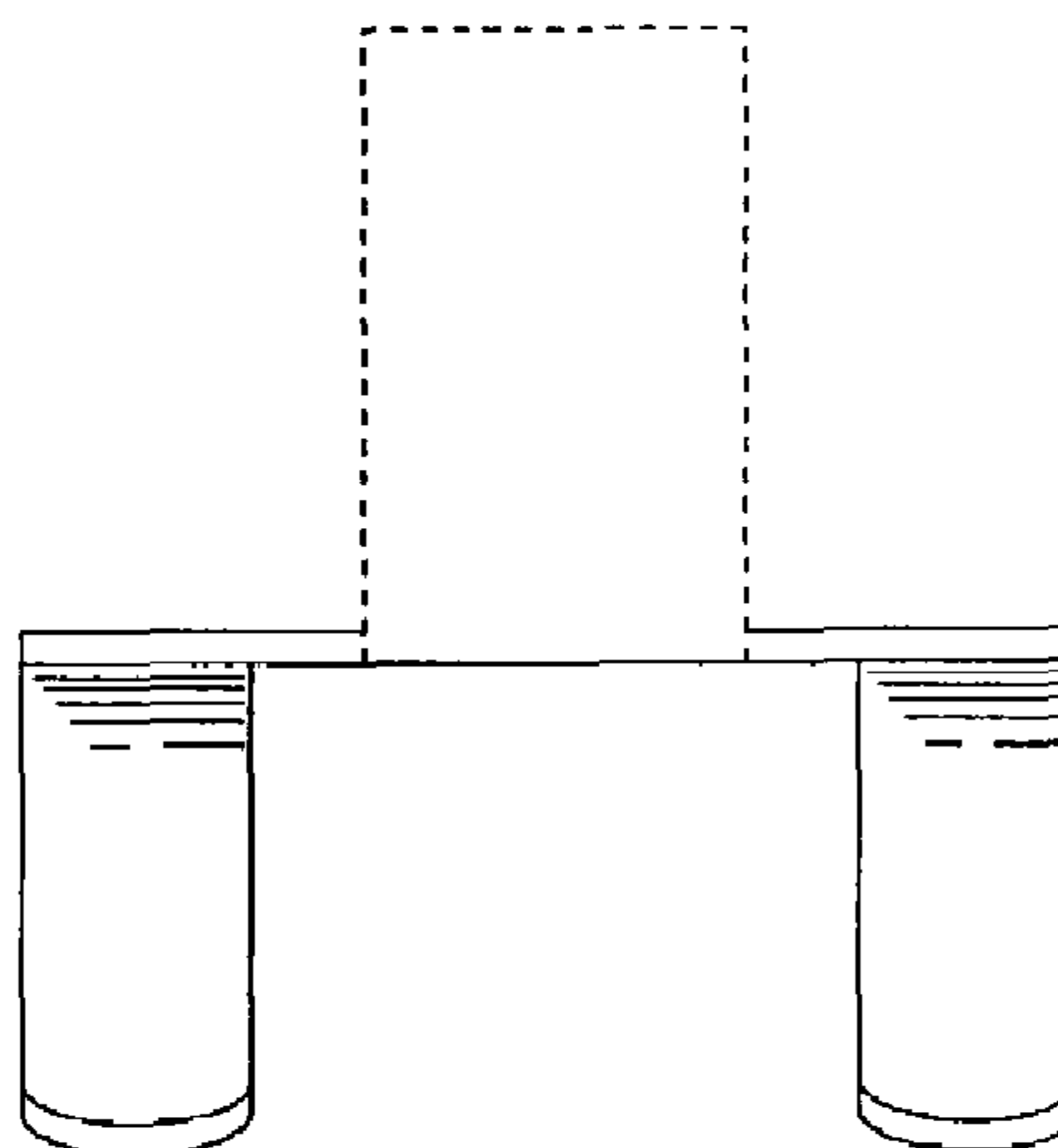
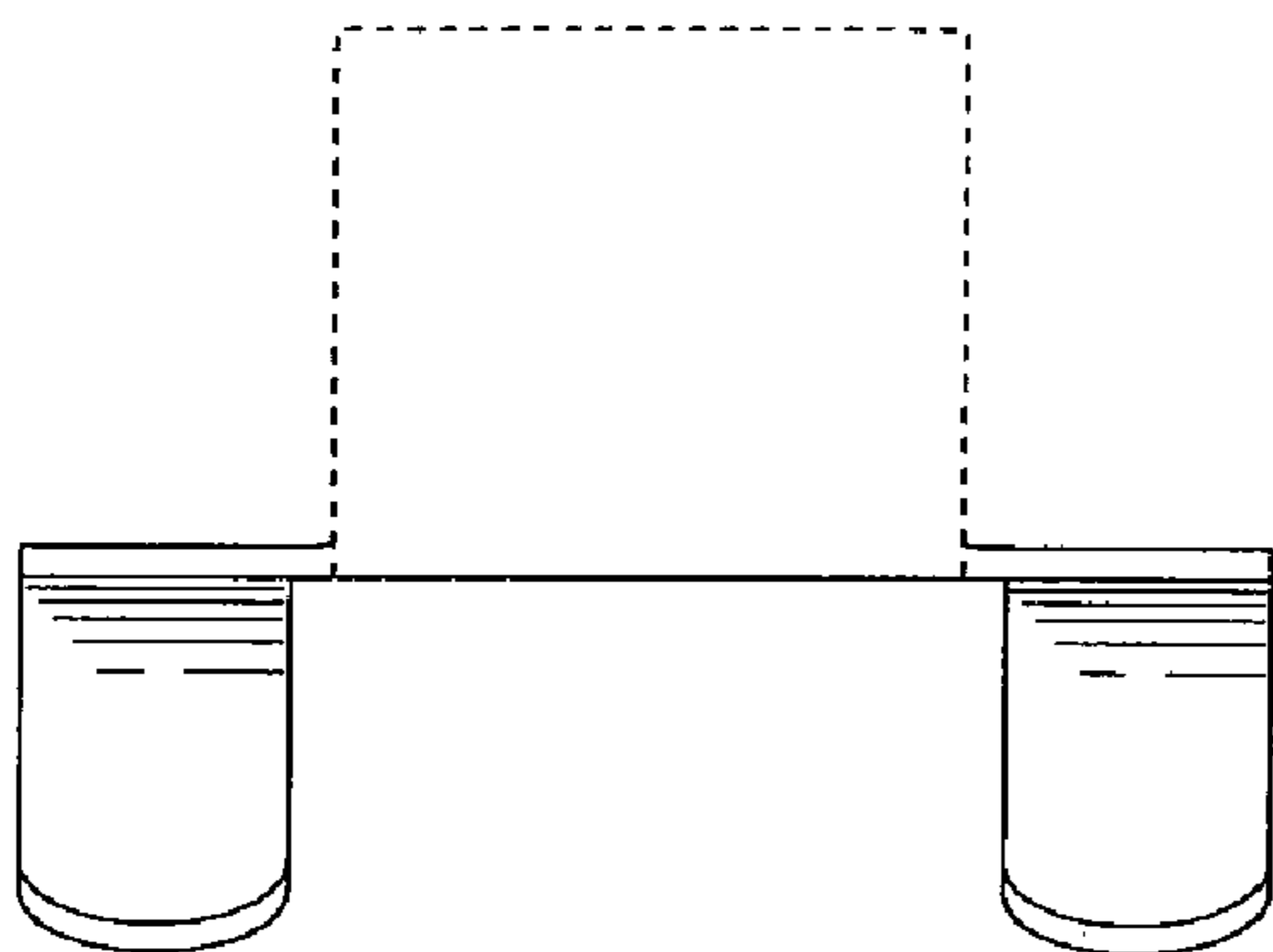
FIG. 10 is a perspective view thereof;

FIG. 11 is a rear elevational view thereof; and,

FIG. 12 is a bottom plan view thereof.

The dotted-line showing in the drawings illustrates environmental matter and forms no part of the claimed design.

1 Claim, 4 Drawing Sheets



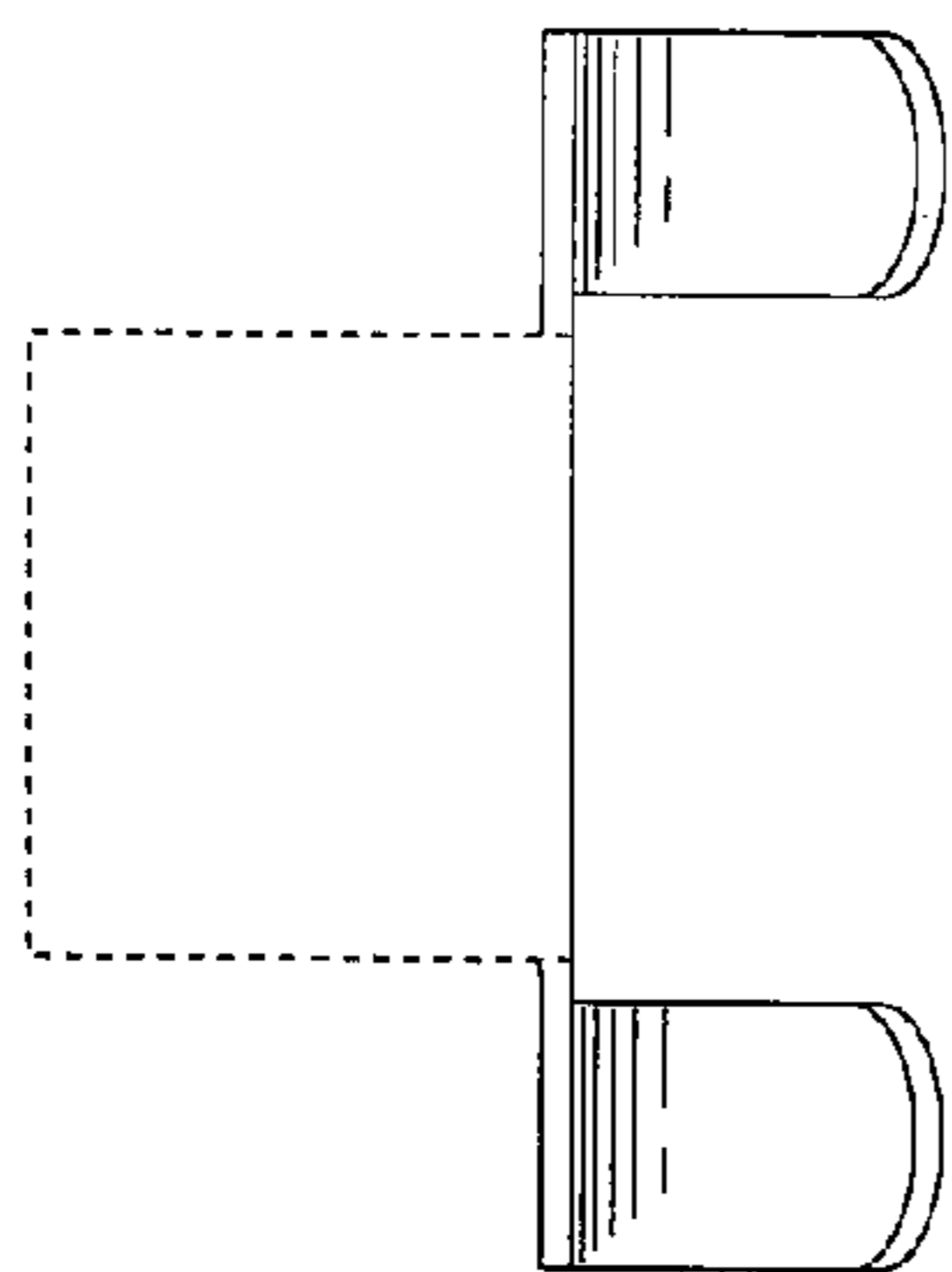


FIG. 1

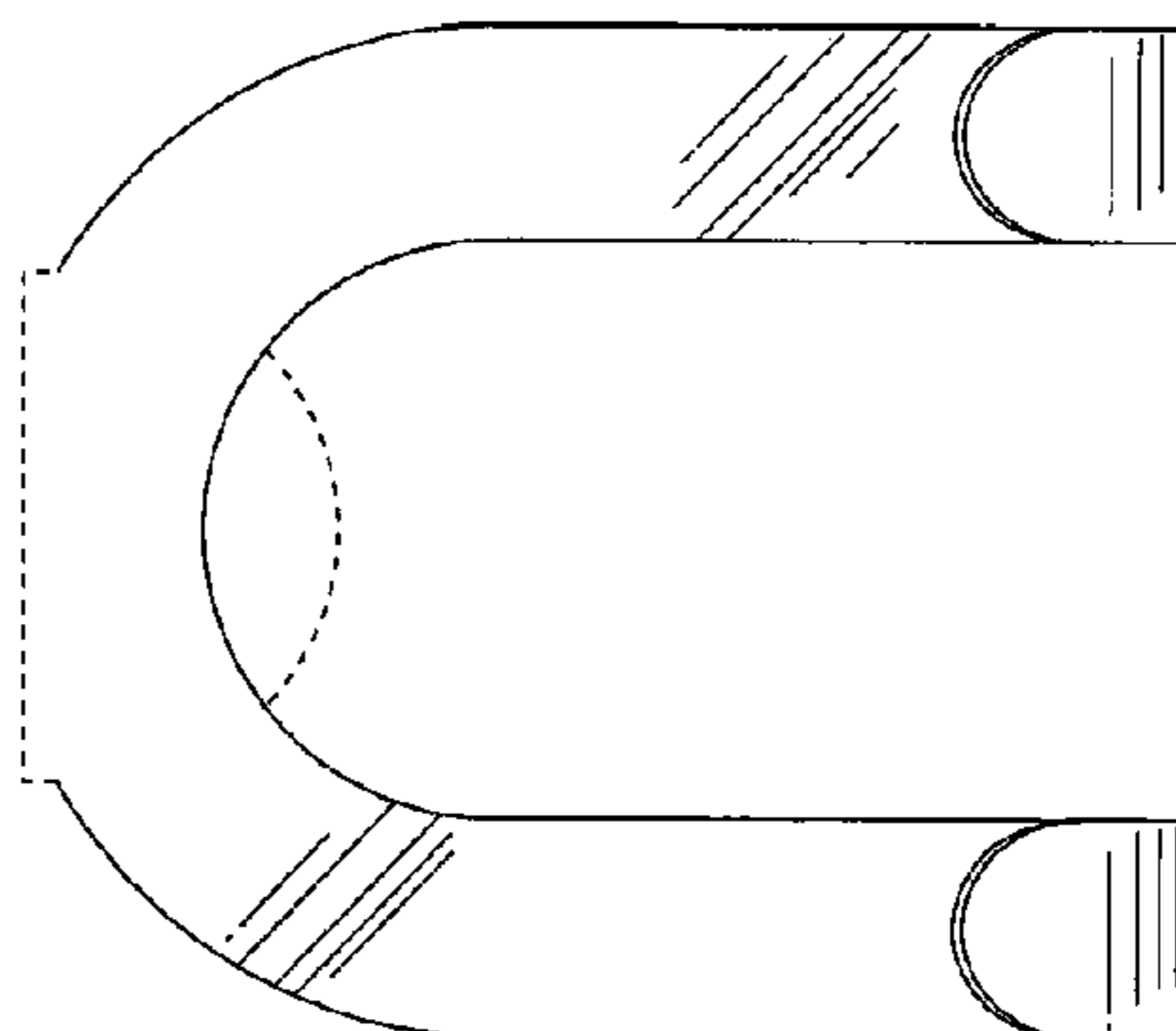


FIG. 2

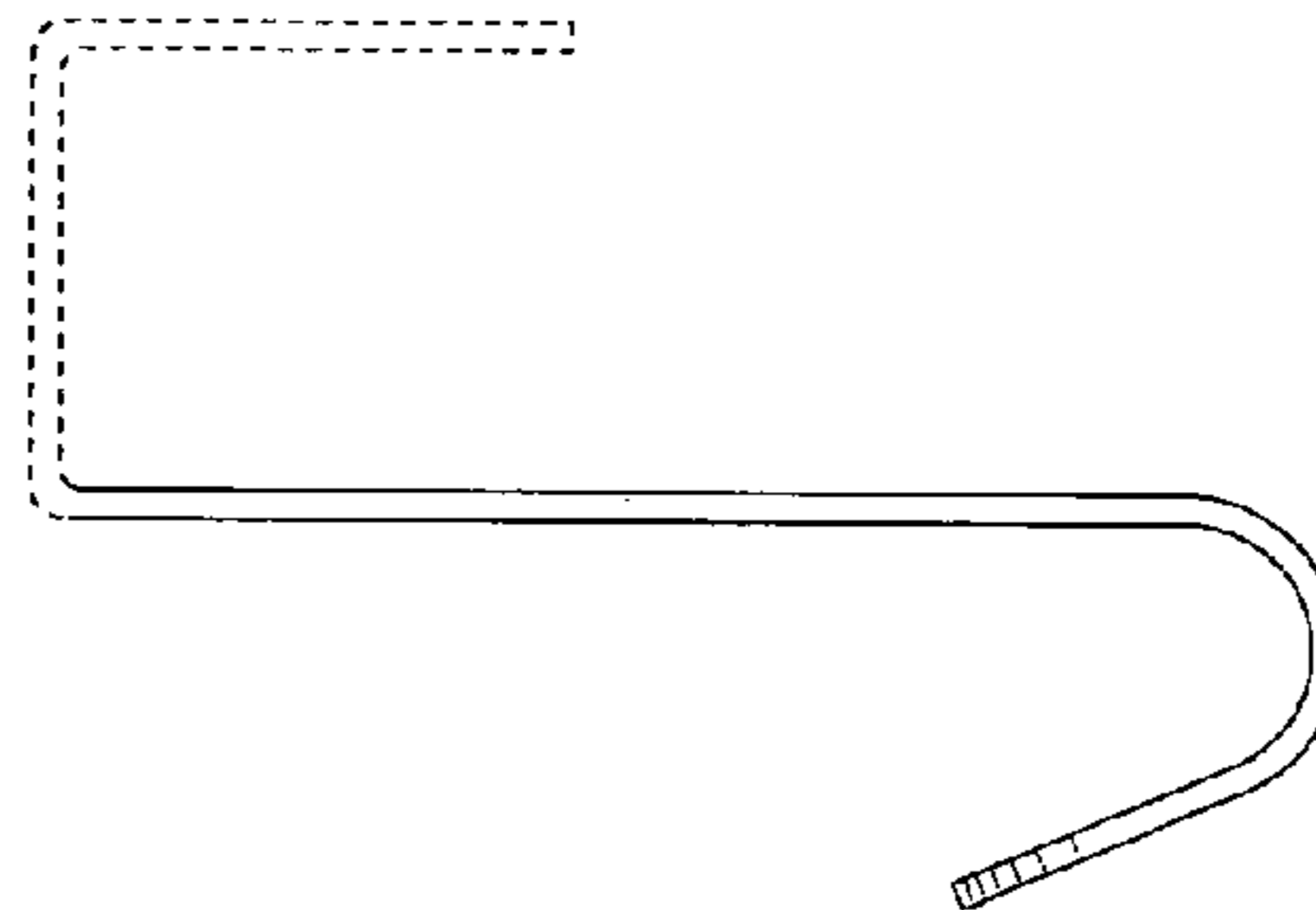


FIG. 3

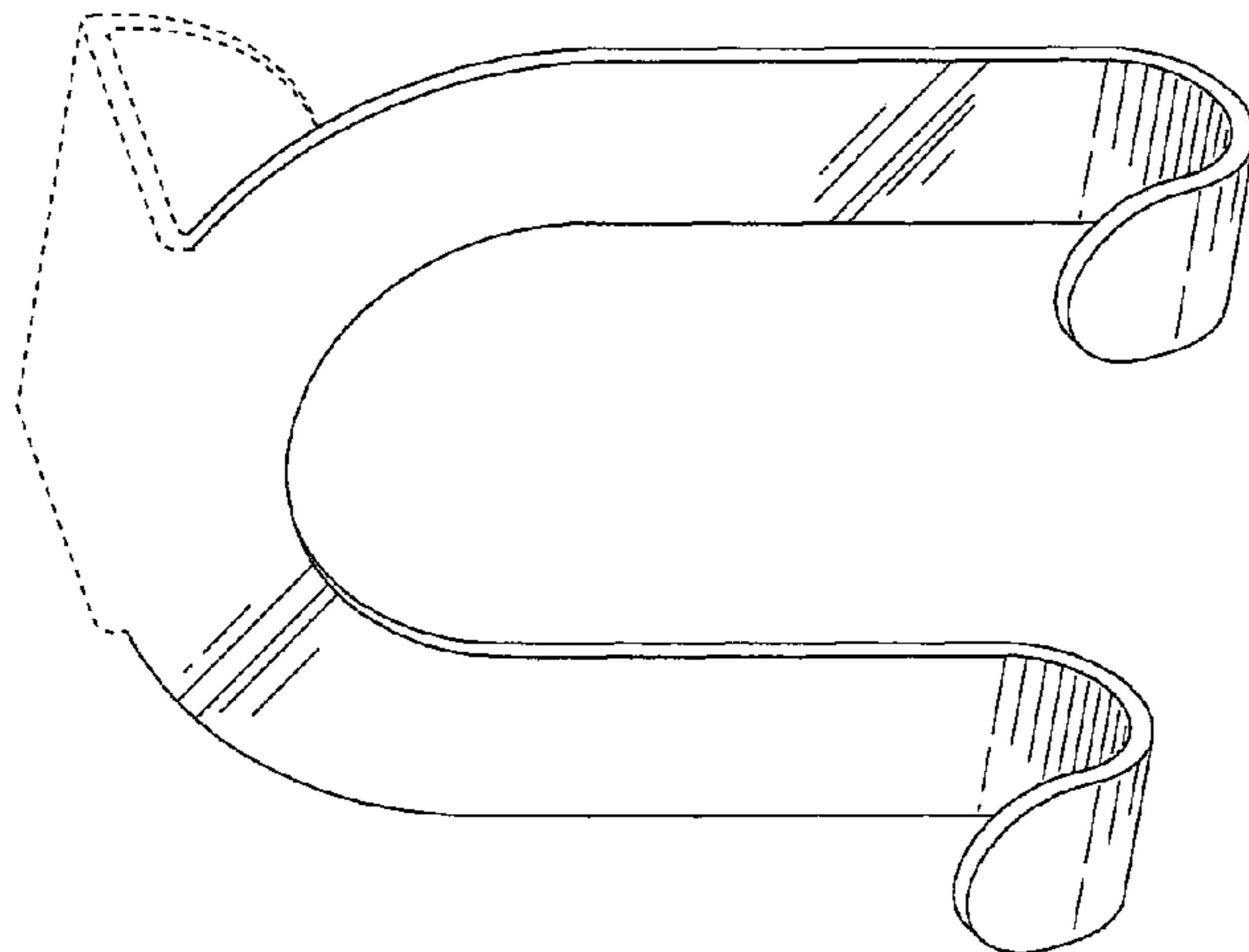


FIG. 4

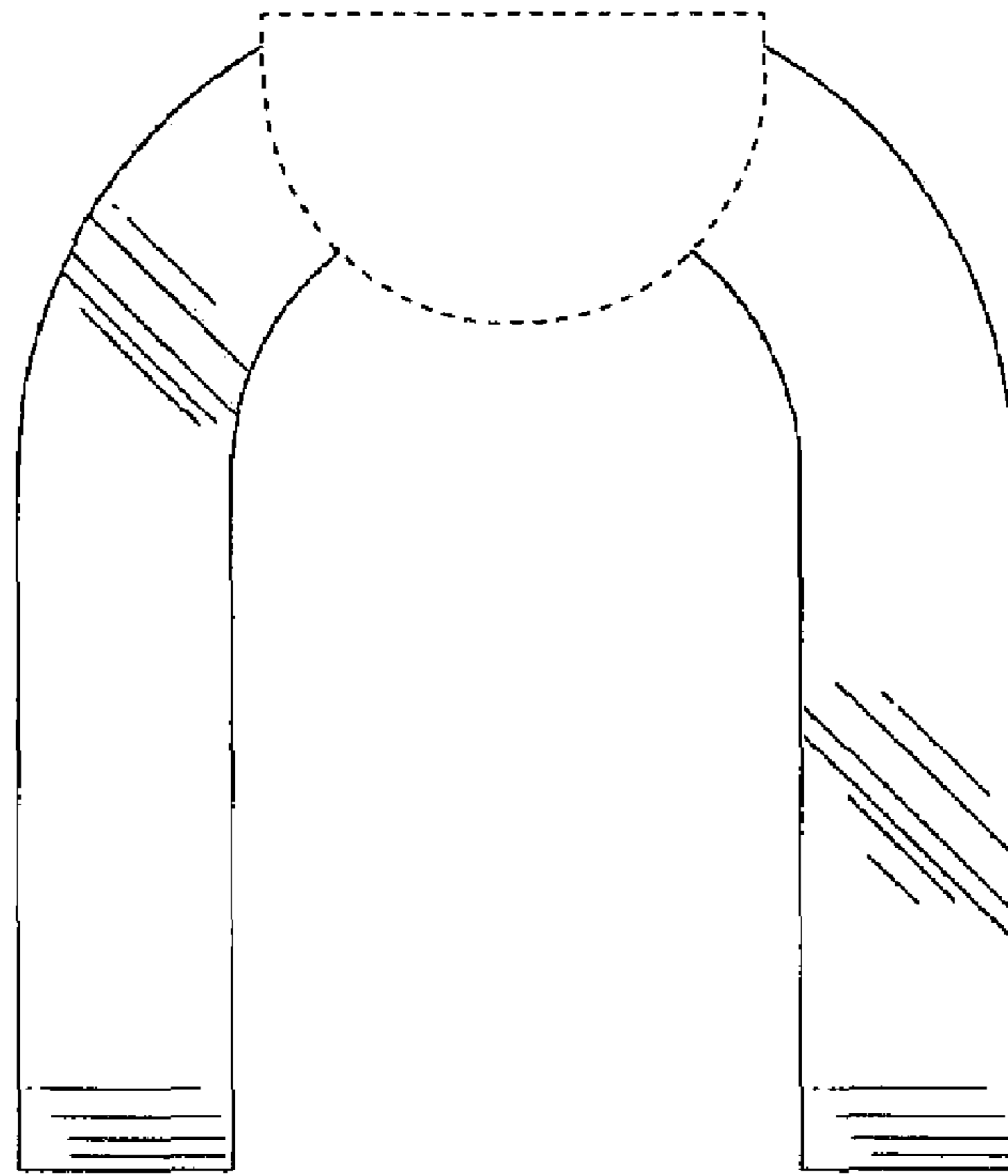


FIG. 5

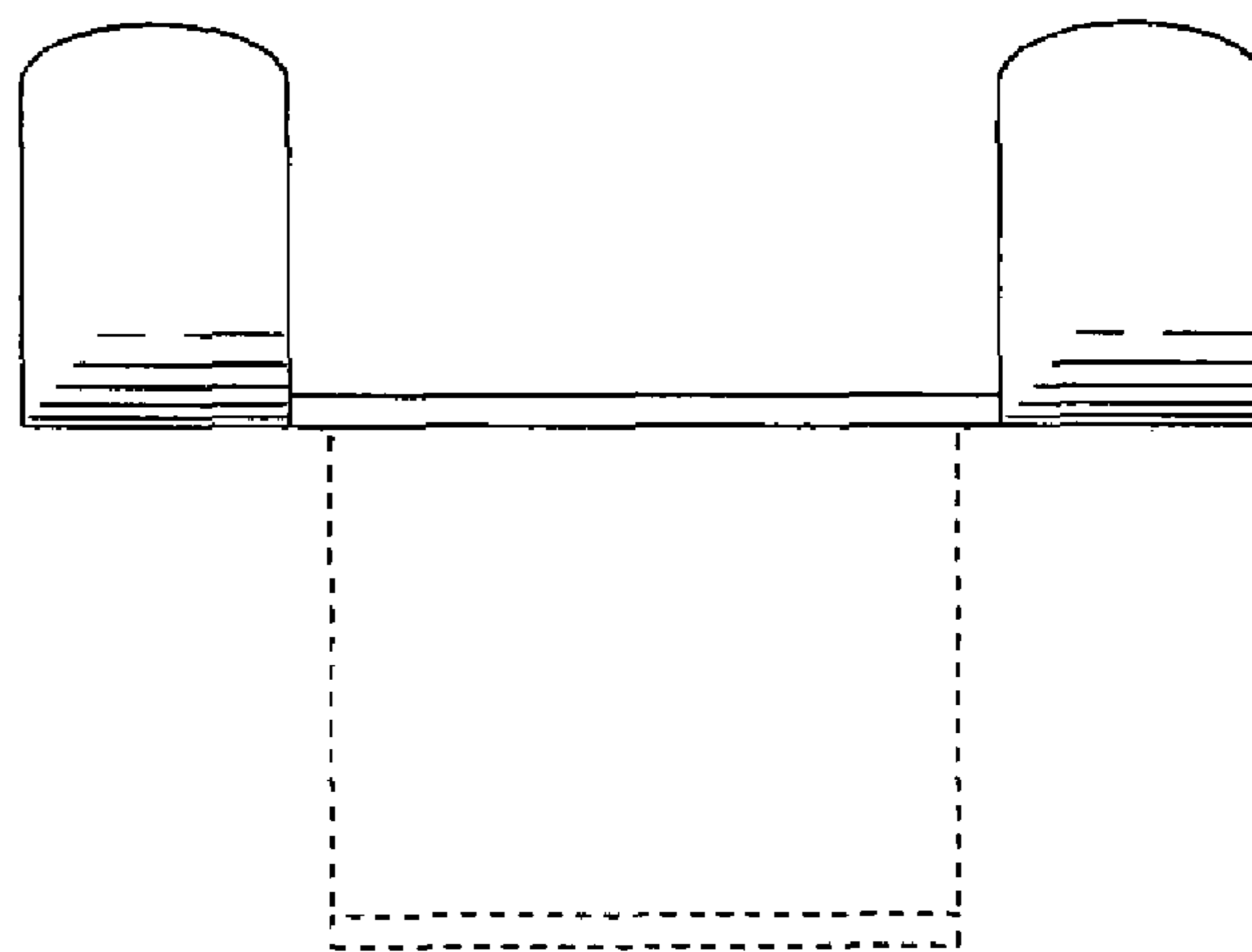


FIG. 6

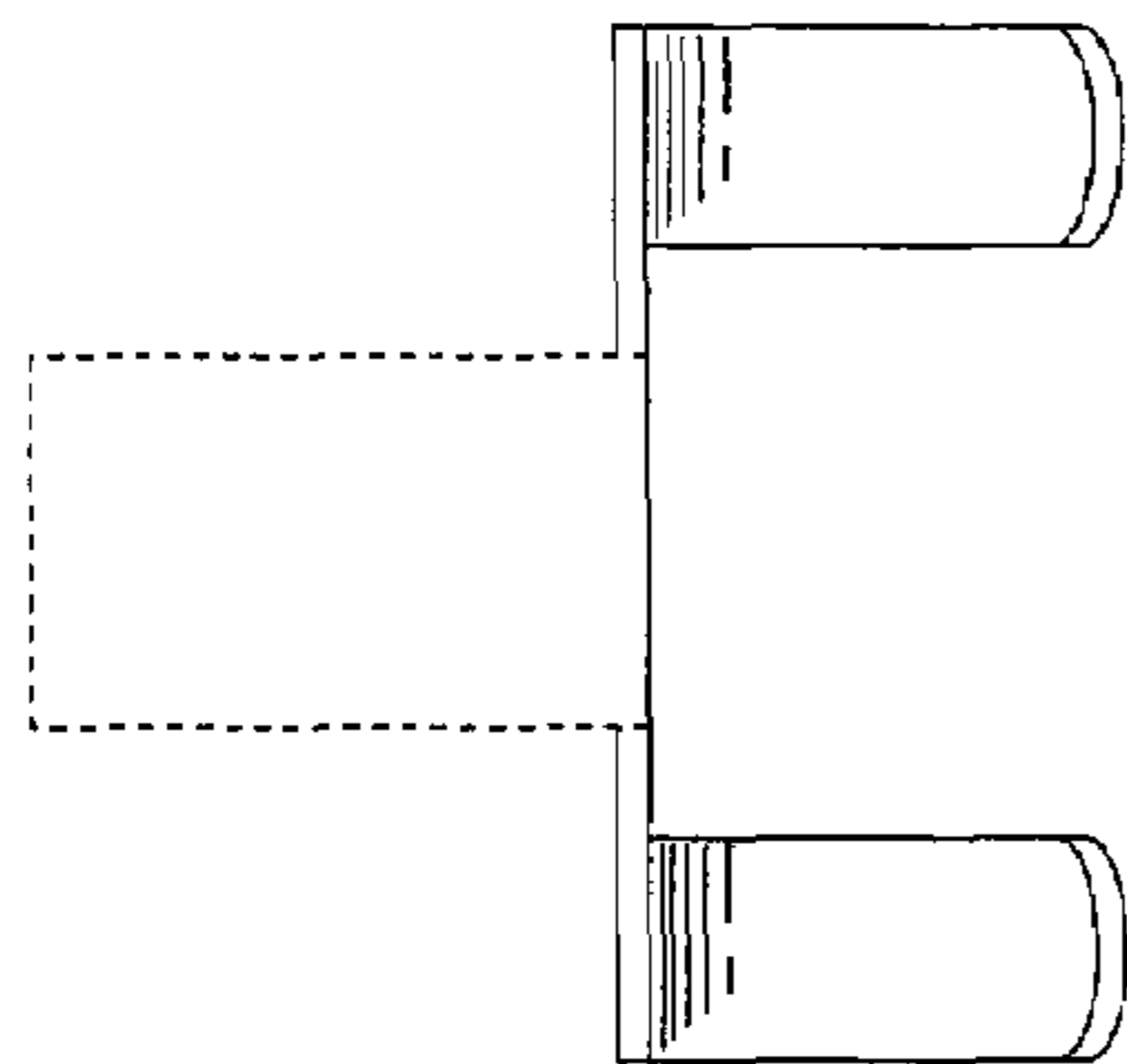


FIG. 7

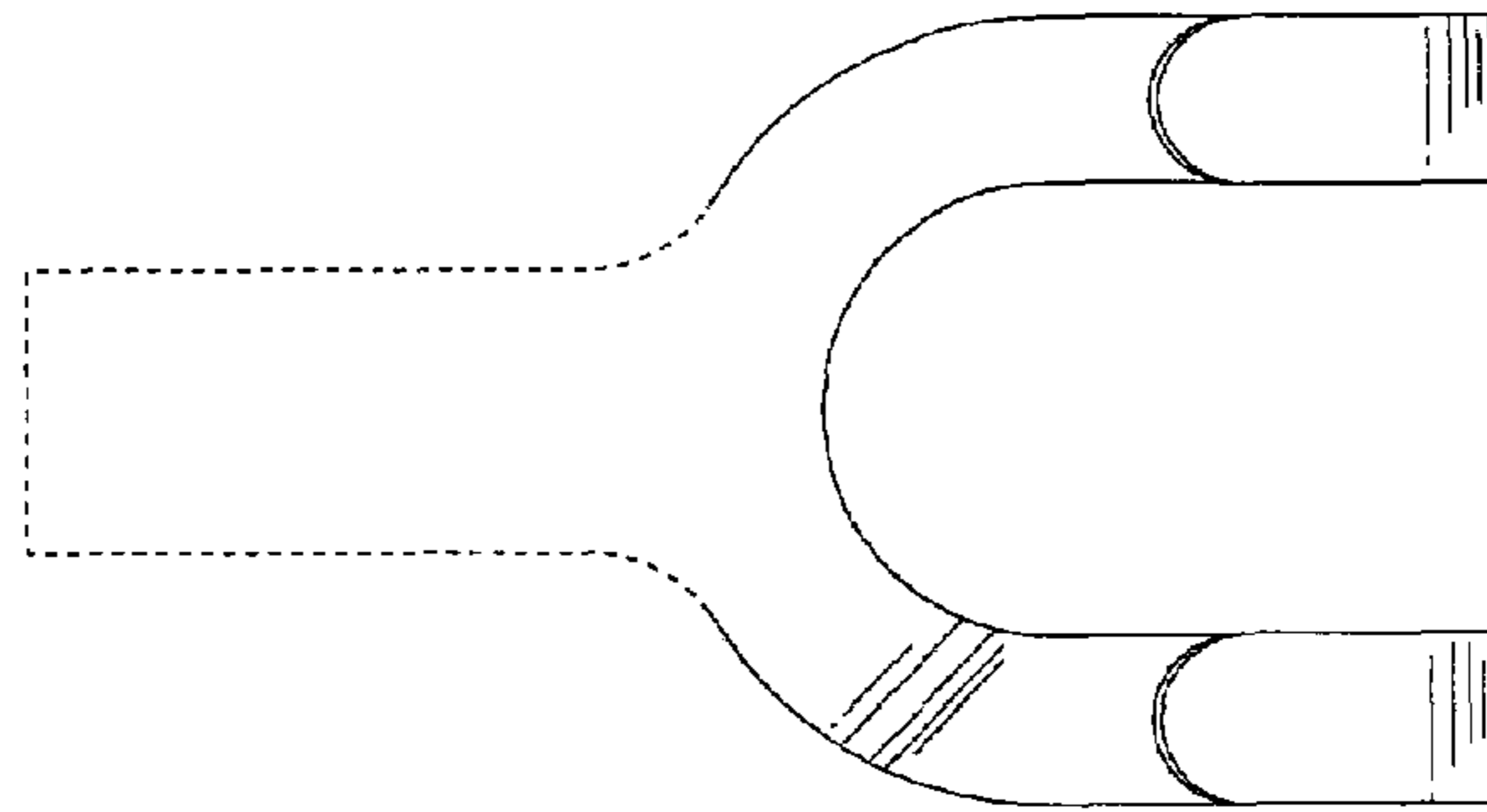


FIG. 8

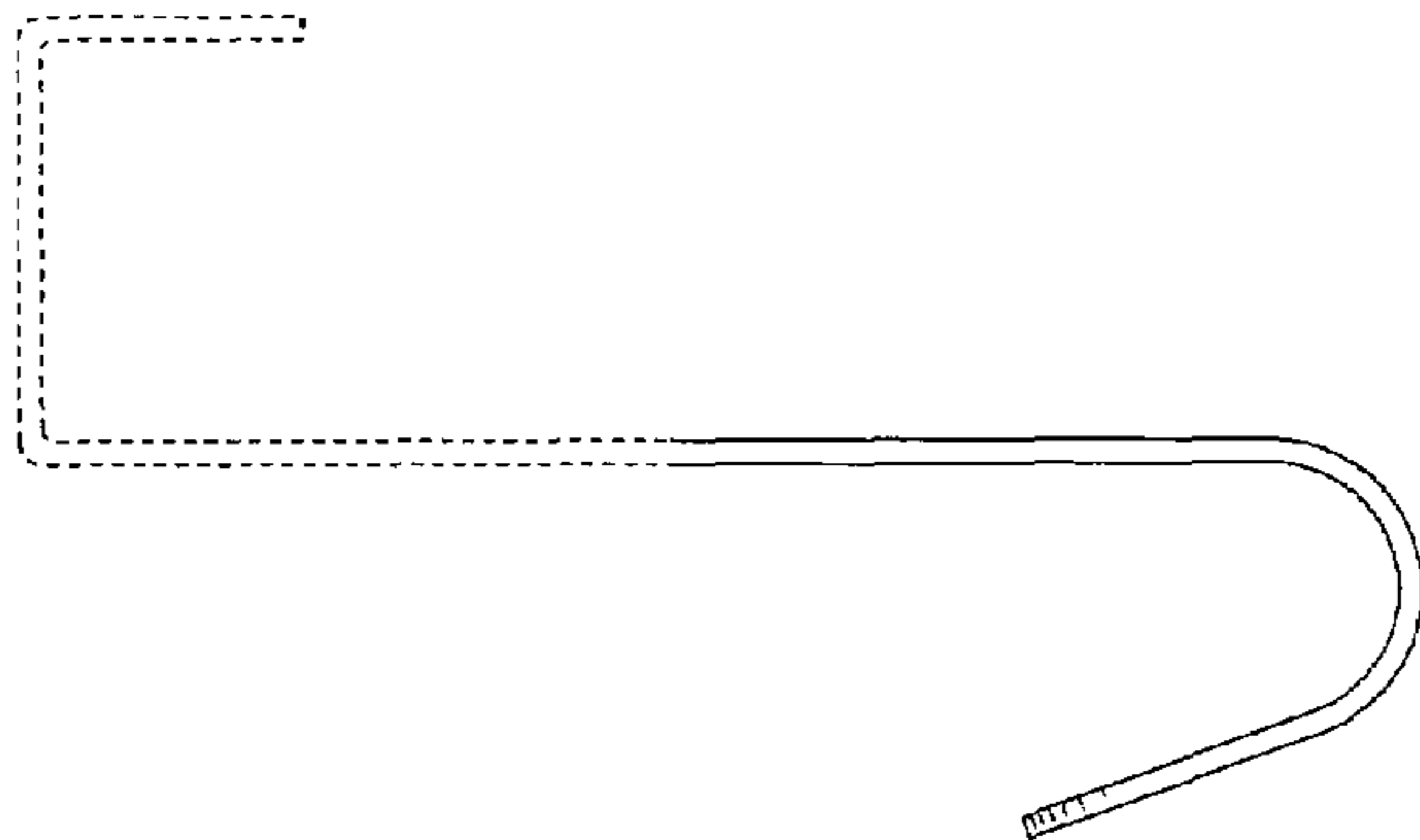


FIG. 9

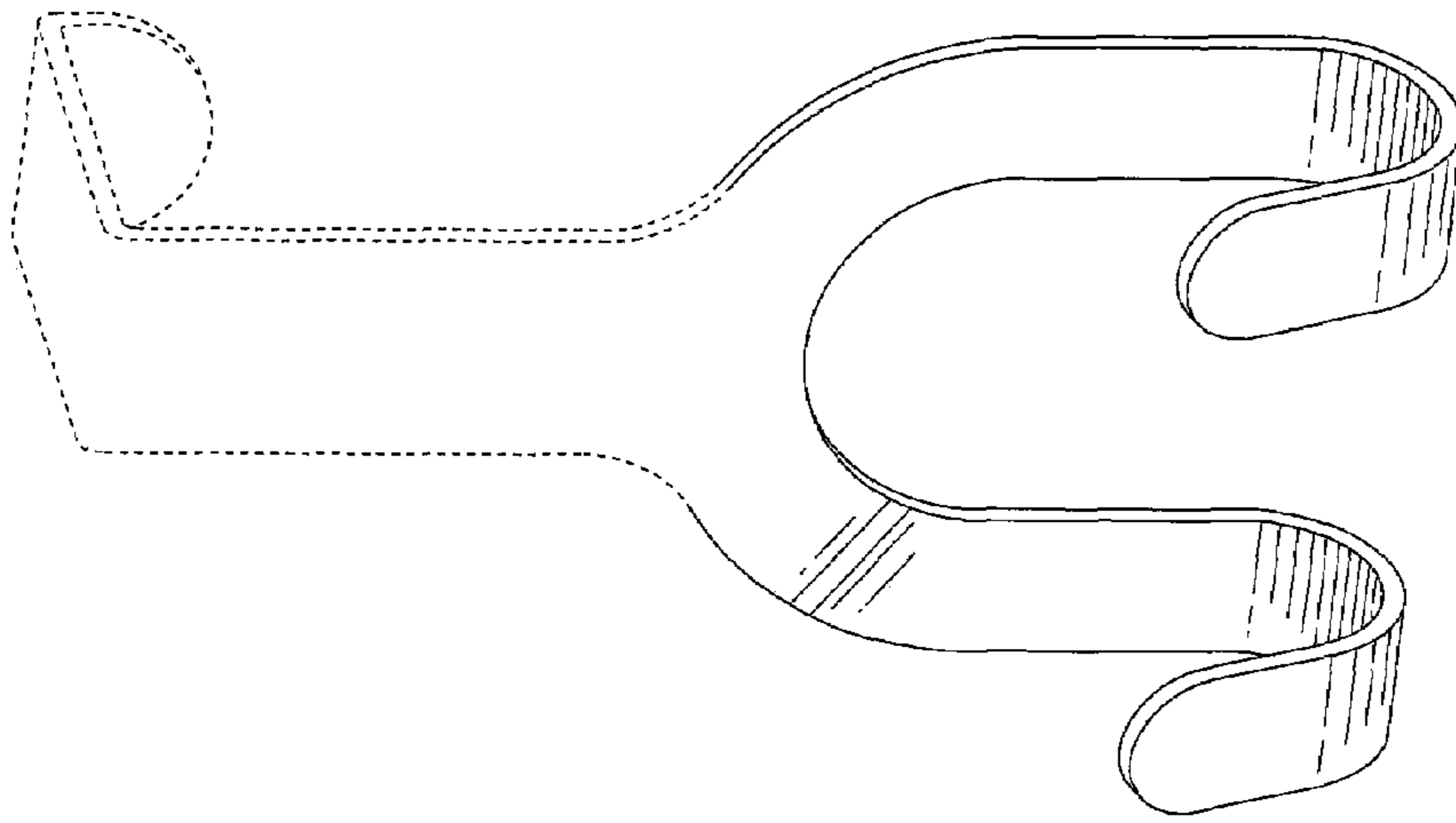


FIG. 10

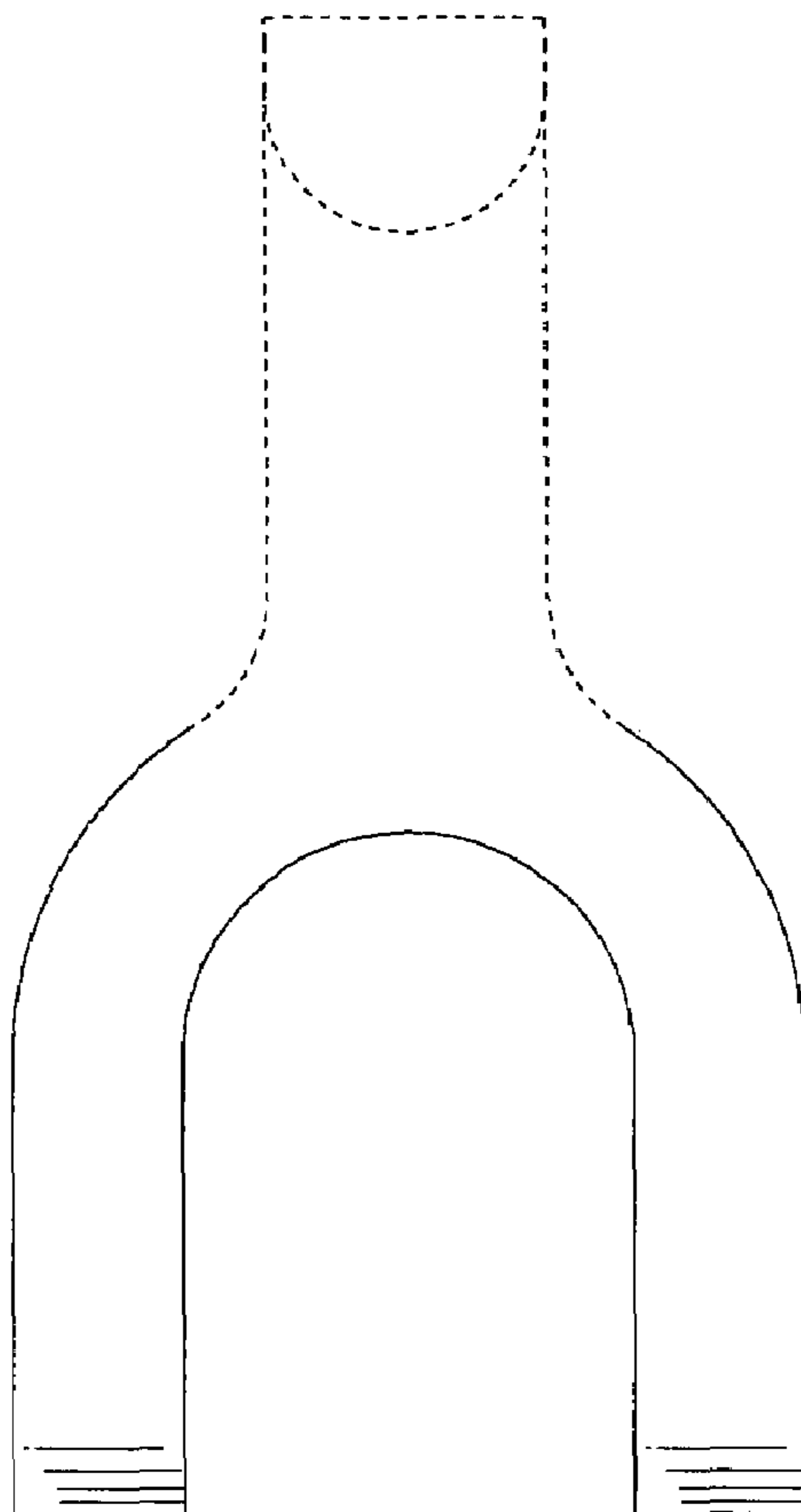


FIG. 11

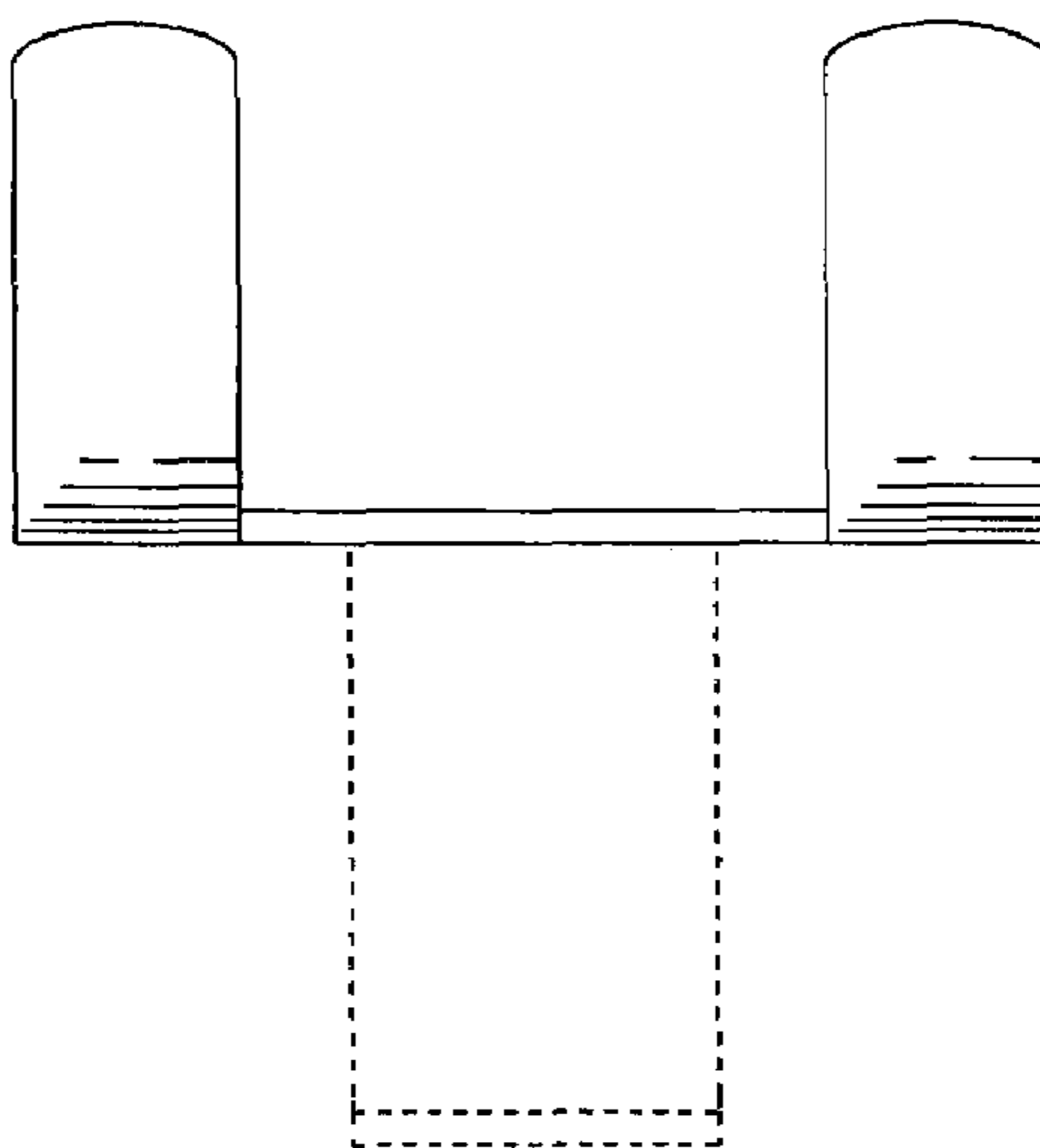


FIG. 12