



US00D614477S

(12) **United States Design Patent**
Edwards

(10) **Patent No.:** **US D614,477 S**
(45) **Date of Patent:** **** Apr. 27, 2010**

(54) **UPPER ATTACHMENT BRACKET FOR AN ADJUSTABLE BALUSTER SYSTEM**

(75) Inventor: **Matthew Edwards**, Bolivar, OH (US)

(73) Assignee: **Carolina Stair Supply, Inc.**, Urichsville, OH (US)

(**) Term: **14 Years**

(21) Appl. No.: **29/341,588**

(22) Filed: **Aug. 9, 2009**

Related U.S. Application Data

(63) Continuation of application No. 11/656,599, filed on Jan. 23, 2007.

(51) **LOC (9) Cl.** **08-05**

(52) **U.S. Cl.** **D8/354**

(58) **Field of Classification Search** D8/349, D8/354, 382; D25/38, 40, 43, 44, 126, 128, D25/135; 52/182, 184, 187, 188, 298, 832; 248/201, 279.1, 286.1, 302; 256/21, 22, 256/24, 45, 49, 64, 65.01-65.11, 67; 403/61, 403/116

See application file for complete search history.

(56) **References Cited**

U.S. PATENT DOCUMENTS

2,676,652	A	4/1954	Duncan	
2,735,702	A *	2/1956	Larson	403/61
3,804,374	A	4/1974	Thom	
5,157,882	A *	10/1992	Soble	52/298
5,437,433	A *	8/1995	Rezek	256/67
D378,986	S *	4/1997	Darula	D8/354
D399,980	S	10/1998	Masse	
D404,285	S *	1/1999	Skudelny	D8/354
D409,895	S *	5/1999	Schron et al.	D8/349
D420,566	S *	2/2000	Ely et al.	D8/354
D426,453	S *	6/2000	Stearns et al.	D8/354
D438,990	S	3/2001	Alonso	
D460,569	S	7/2002	Cox	
D495,065	S	8/2004	Gonzato	

D495,809	S	9/2004	Gonzato	
D512,903	S *	12/2005	Gallien	D8/349
D532,679	S *	11/2006	Ignagni	D8/354
D548,051	S *	8/2007	Ruppert et al.	D8/354
7,374,154	B2 *	5/2008	Platt	256/65.01
D572,571	S *	7/2008	Terada et al.	D8/354
2003/0132426	A1	7/2003	Kang	

* cited by examiner

Primary Examiner—Holly H Baynham

Assistant Examiner—Cynthia M Chin

(74) *Attorney, Agent, or Firm*—Zollinger & Burleson Ltd

(57) **CLAIM**

The ornamental design for an upper attachment bracket for an adjustable baluster system, as shown and described.

DESCRIPTION

FIG. 1 is a perspective view of an upper attachment bracket for an adjustable baluster system showing a first configuration of my new design;

FIG. 2 is a front elevation view thereof; the rear elevation view being a mirror image thereof;

FIG. 3 is a top plan view thereof;

FIG. 4 is a left side elevation view of thereof; the right side view being a mirror image thereof;

FIG. 5 is a bottom plan view of thereof;

FIG. 6 is a perspective view of an upper attachment bracket for an adjustable baluster system showing a second configuration of my new design;

FIG. 7 is a front elevation view thereof; the rear elevation view being a mirror image thereof;

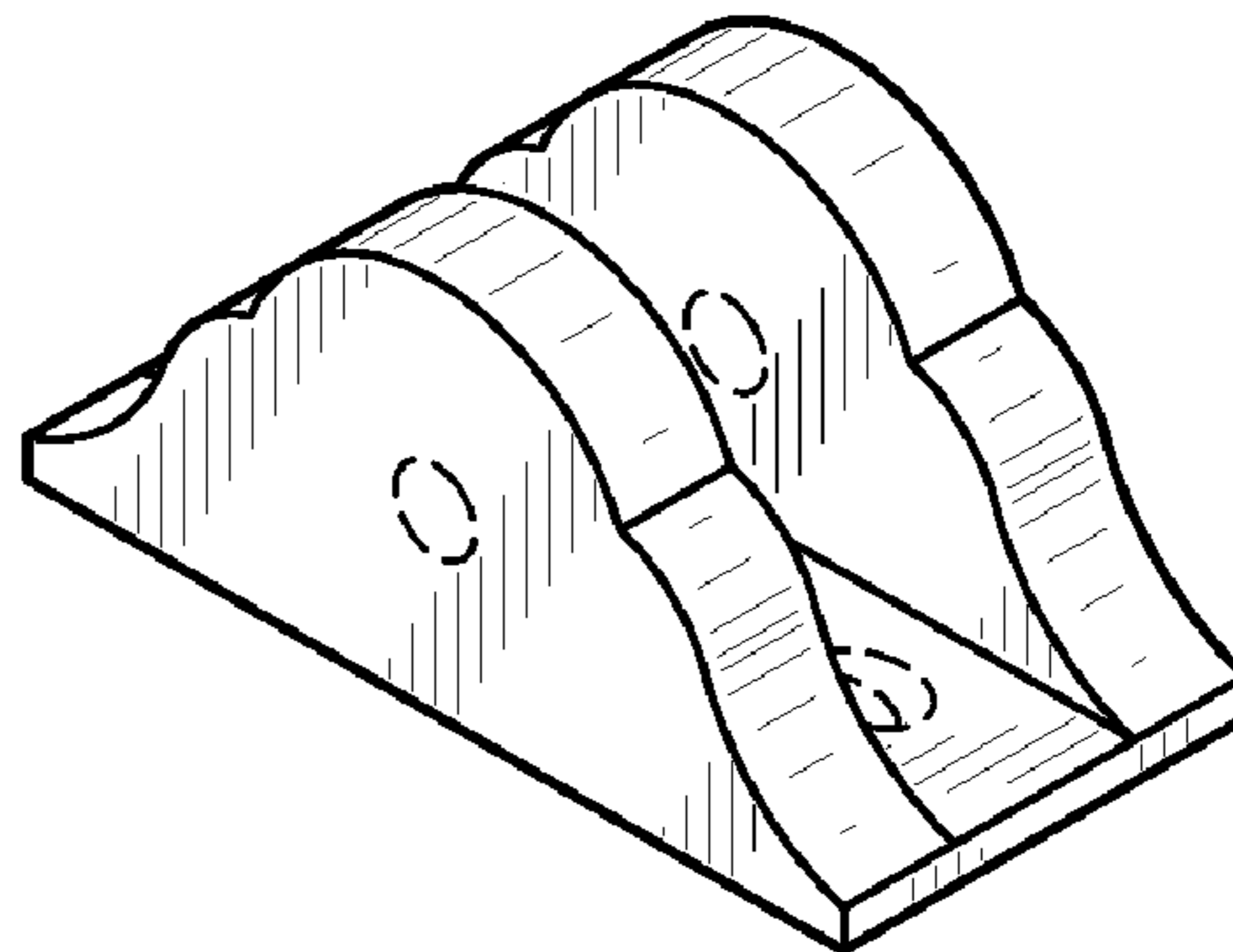
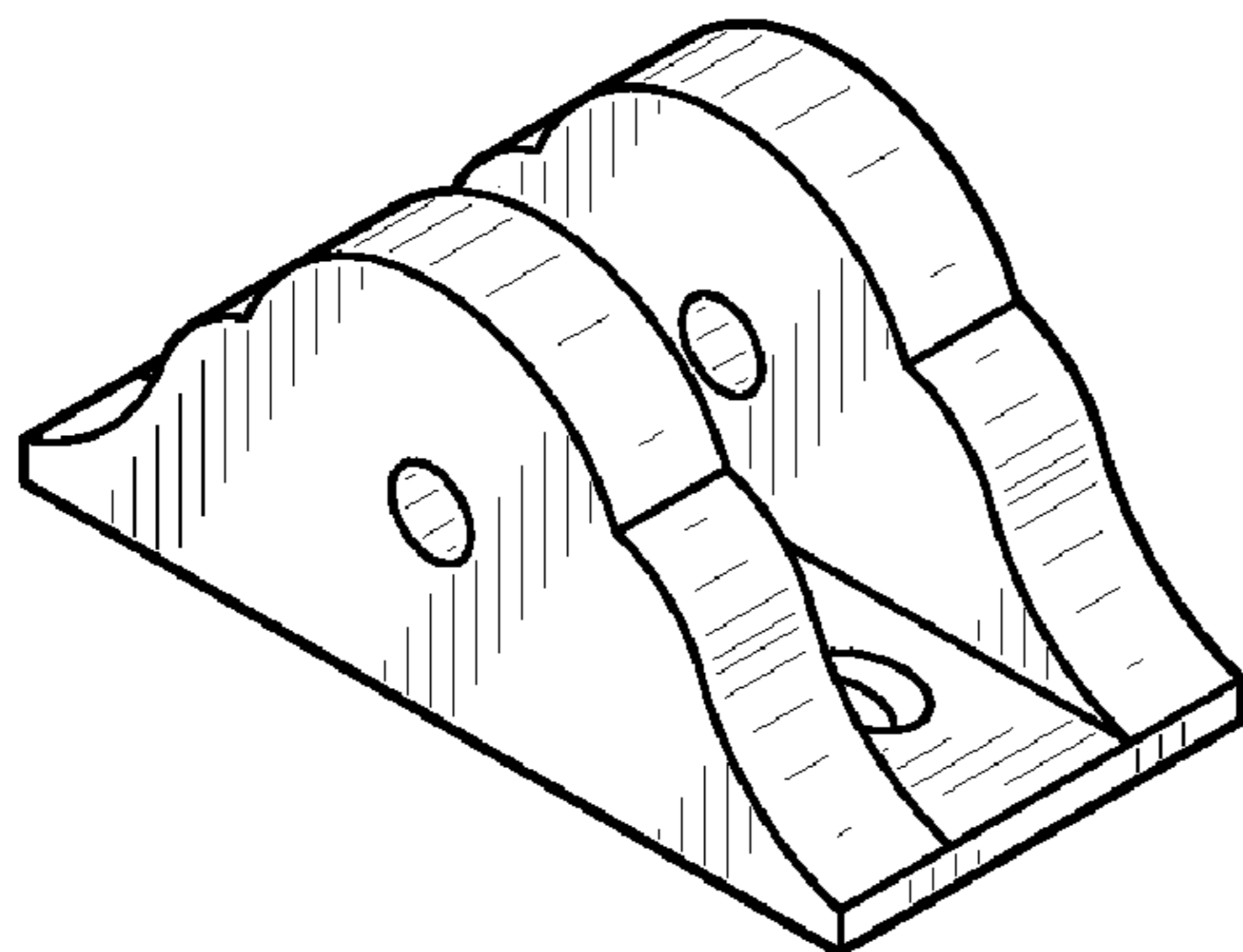
FIG. 8 is a top plan view thereof;

FIG. 9 is a left side elevation view of thereof; the right side view being a mirror image thereof; and,

FIG. 10 is a bottom plan view of thereof.

Broken lines in the drawings form no part of the claimed design.

1 Claim, 2 Drawing Sheets



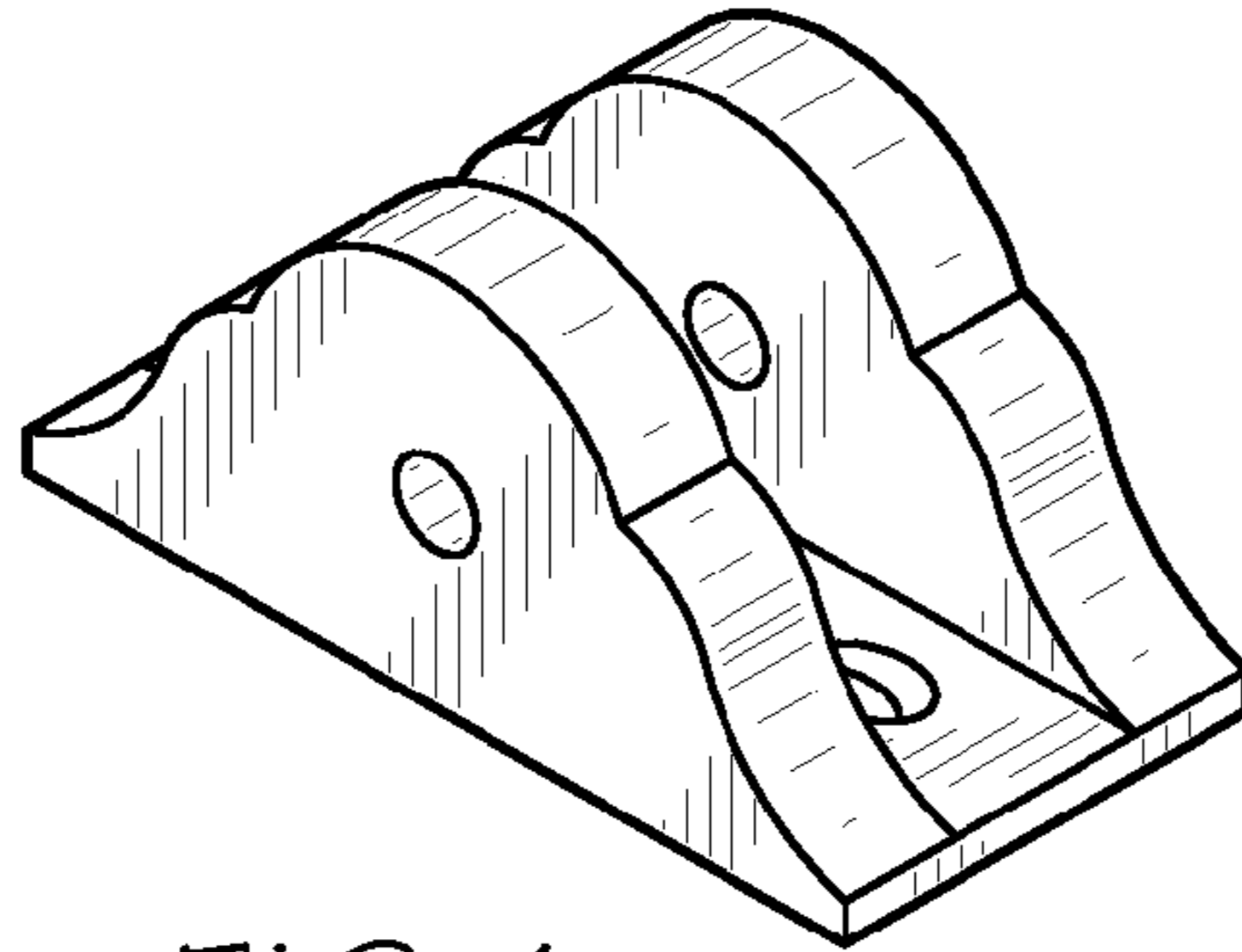


FIG. 1

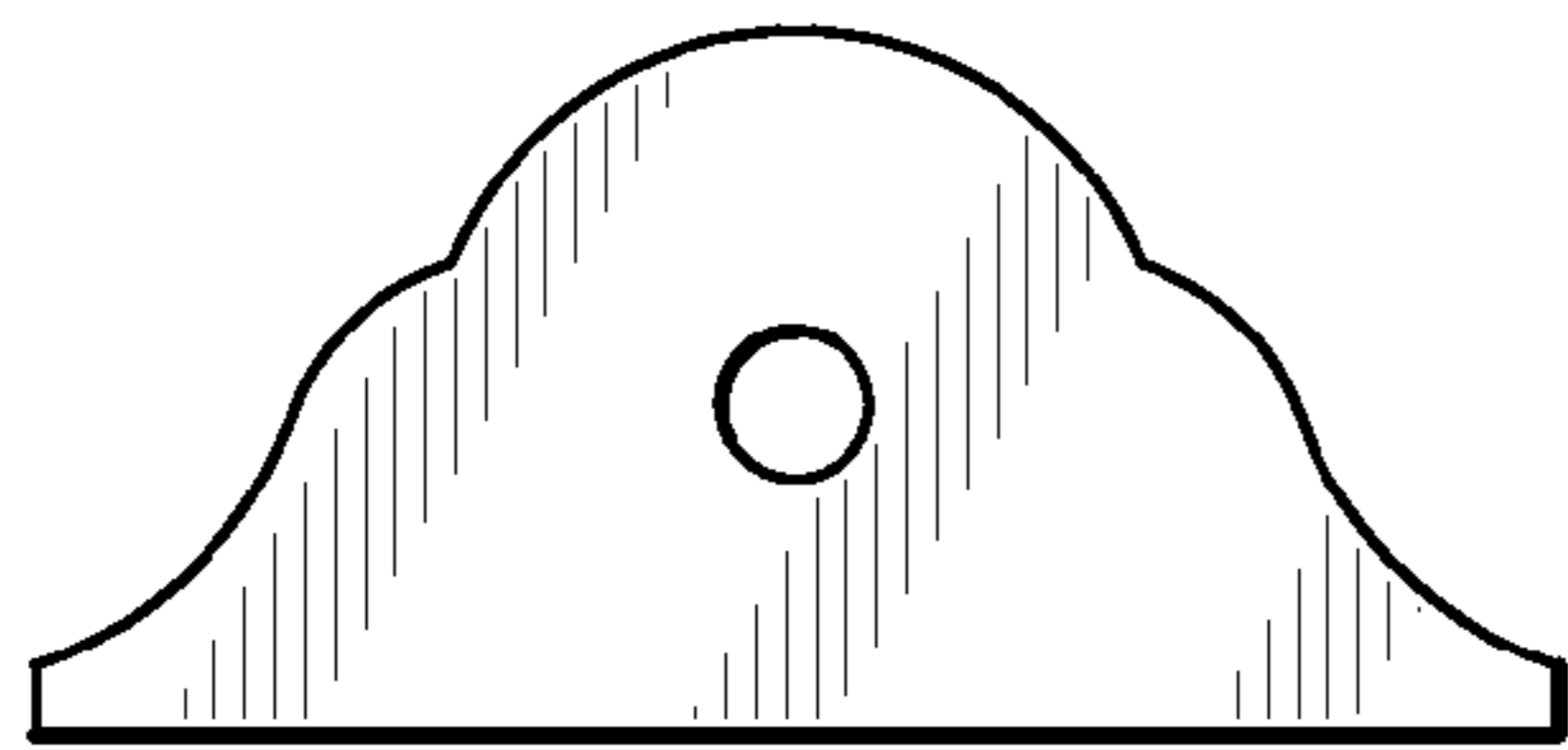


FIG. 2

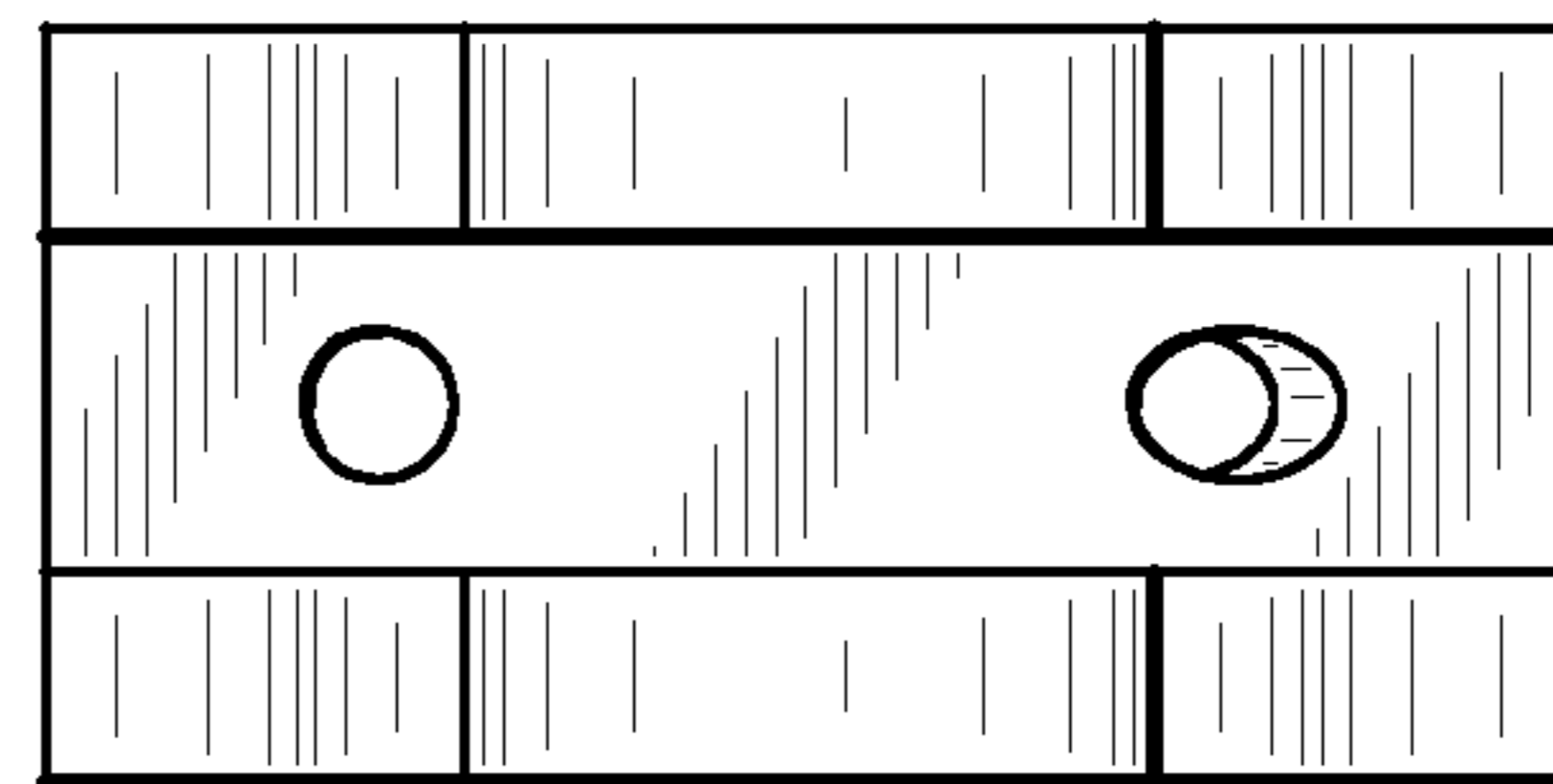


FIG. 3

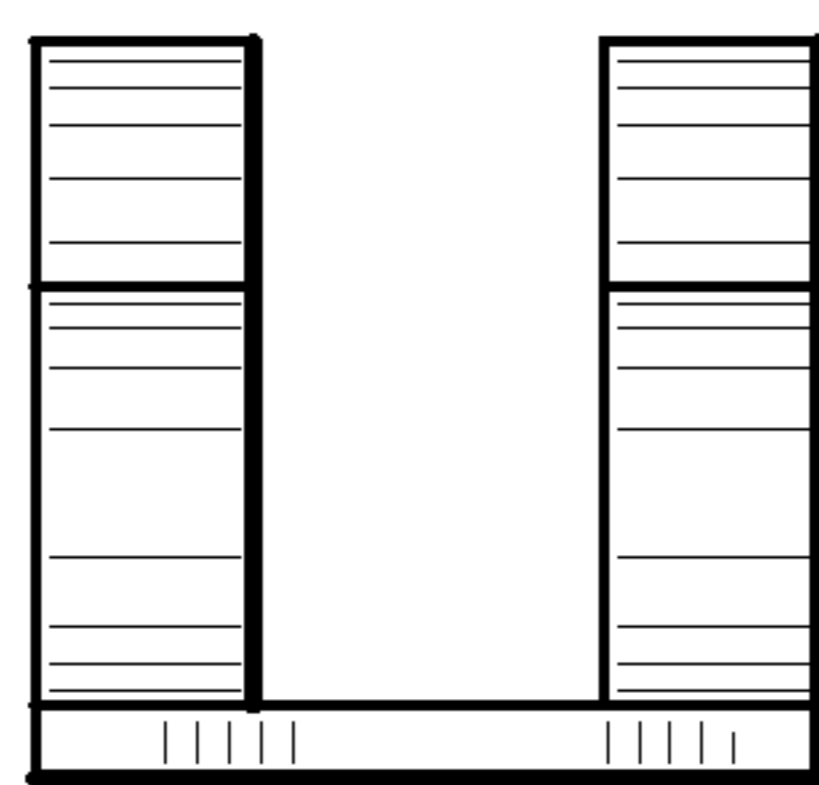


FIG. 4

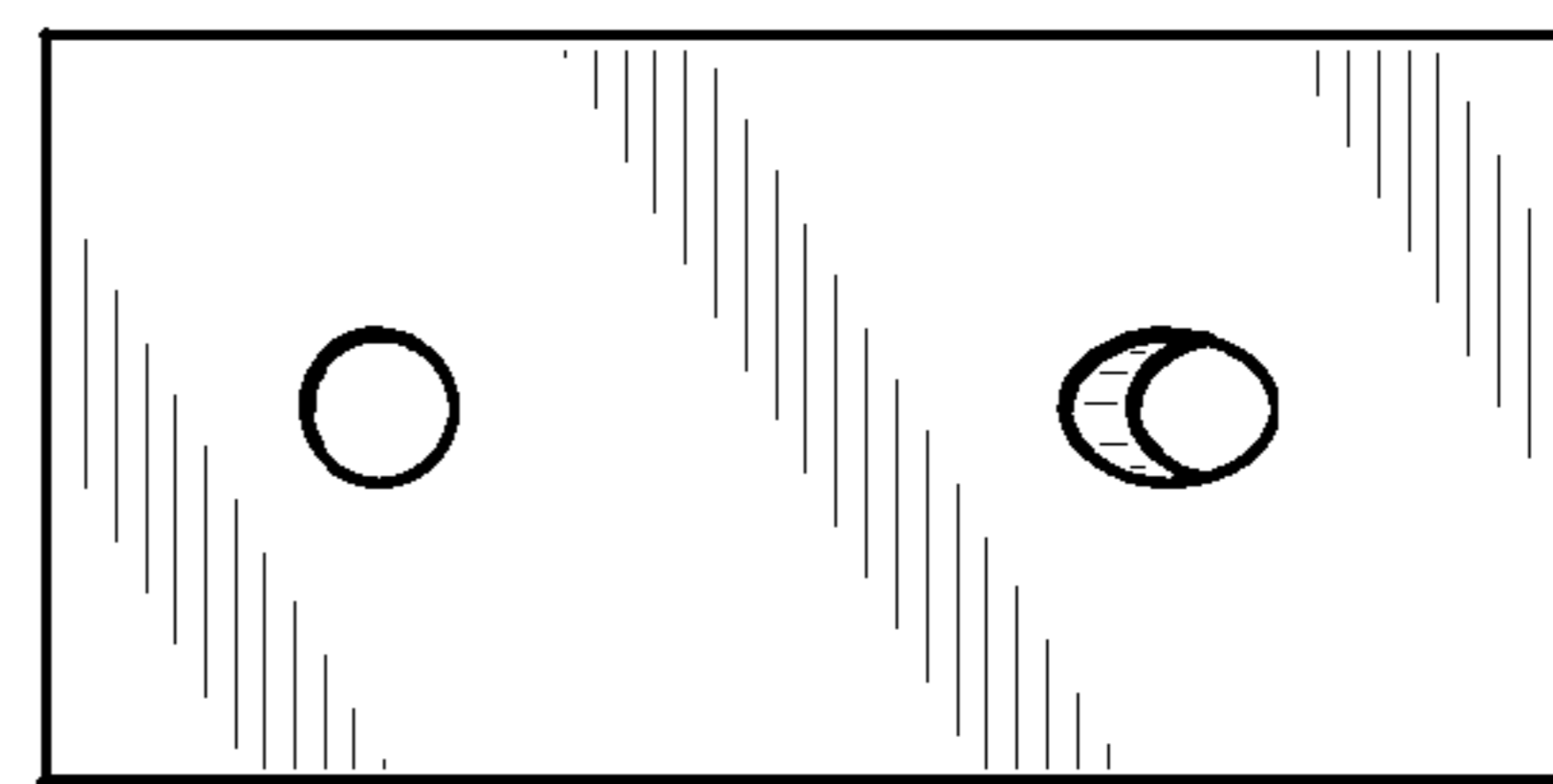


FIG. 5

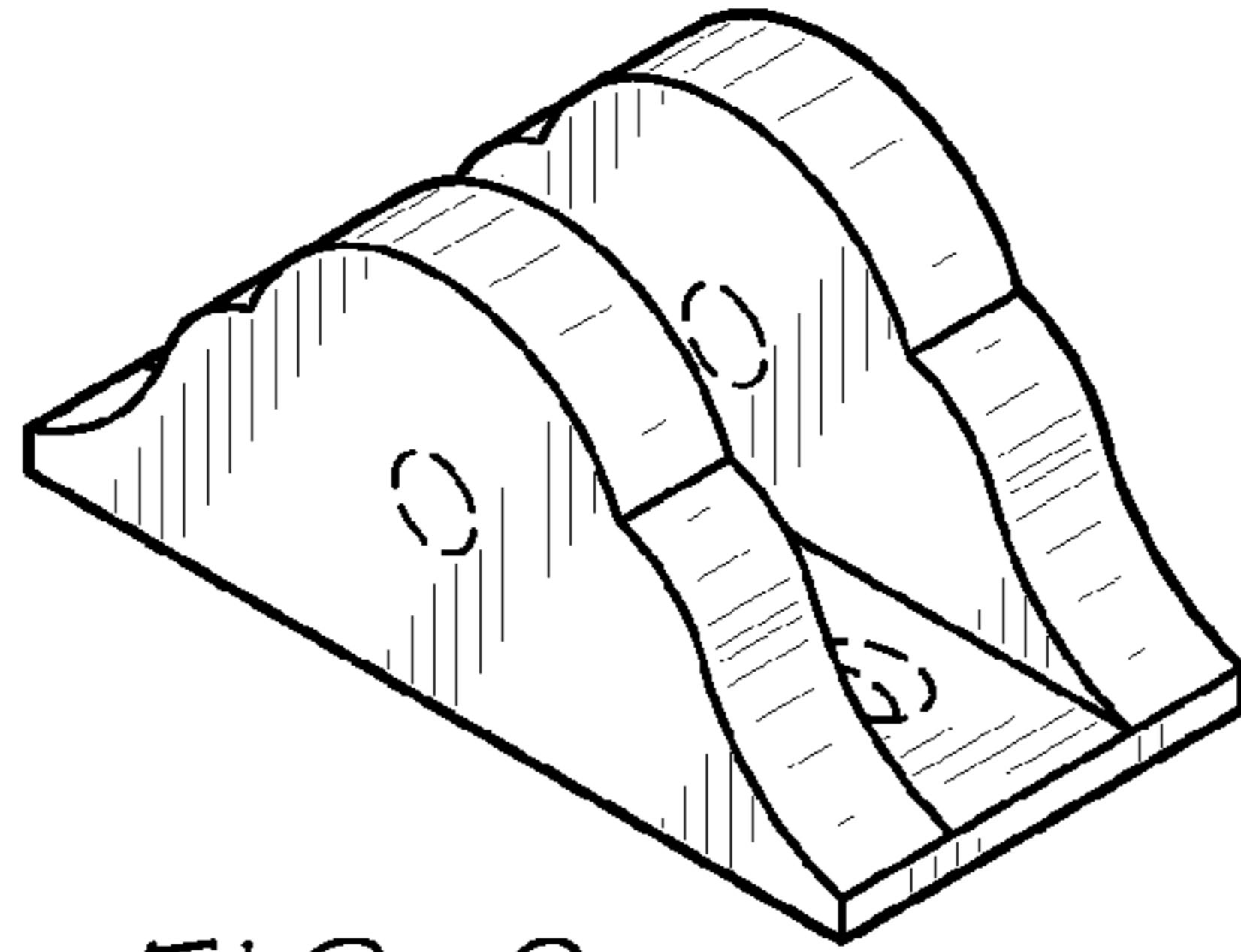


FIG. 6

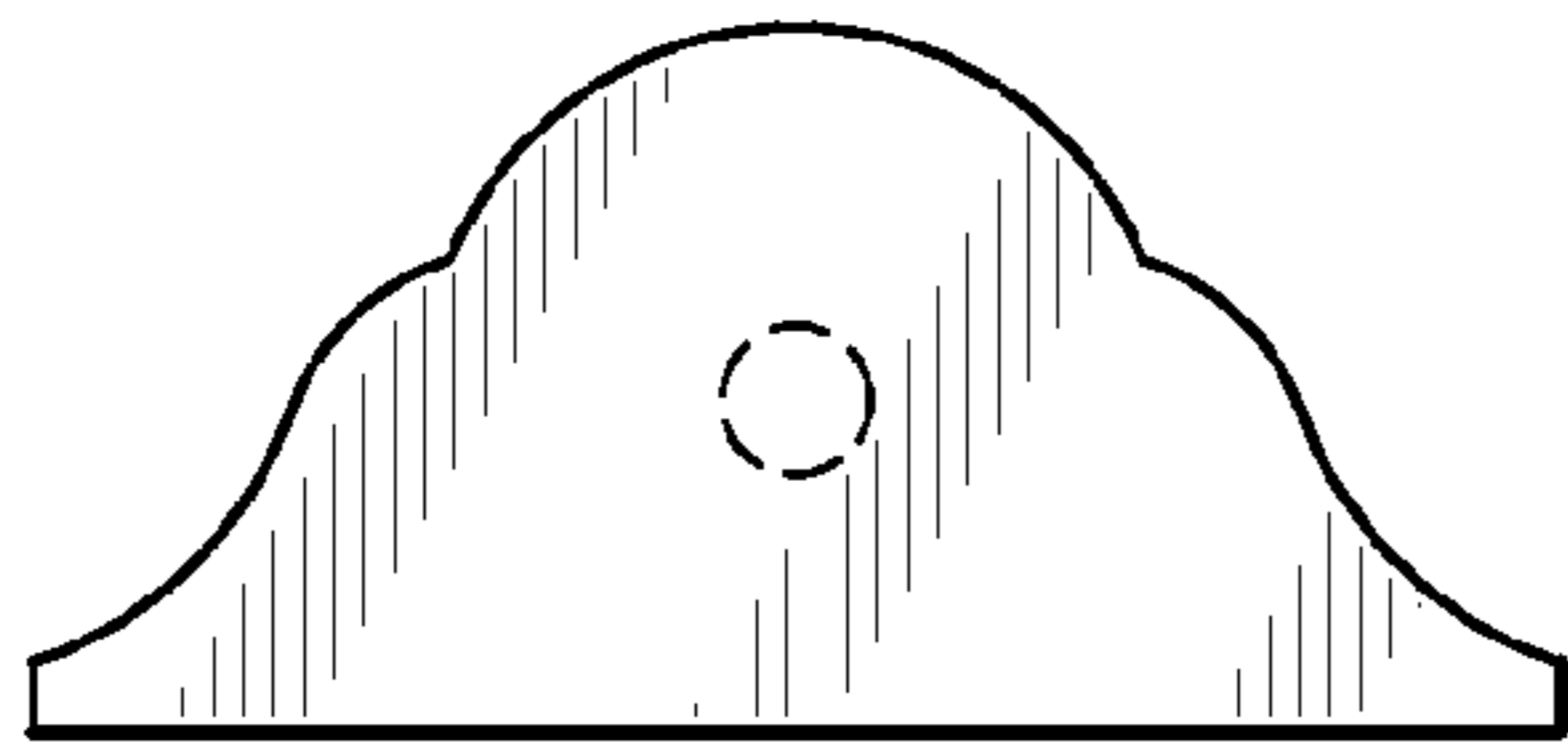


FIG. 7

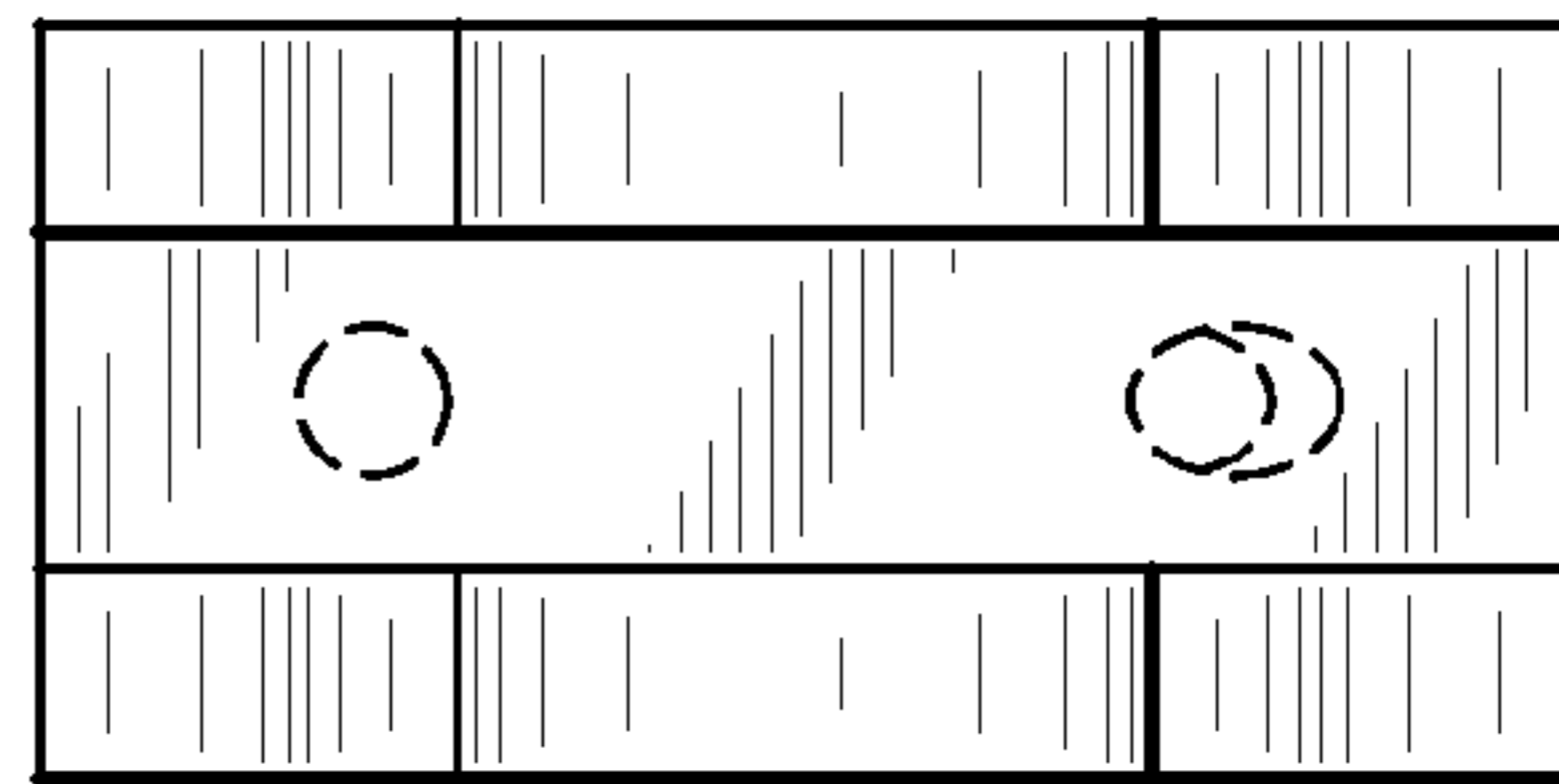


FIG. 8

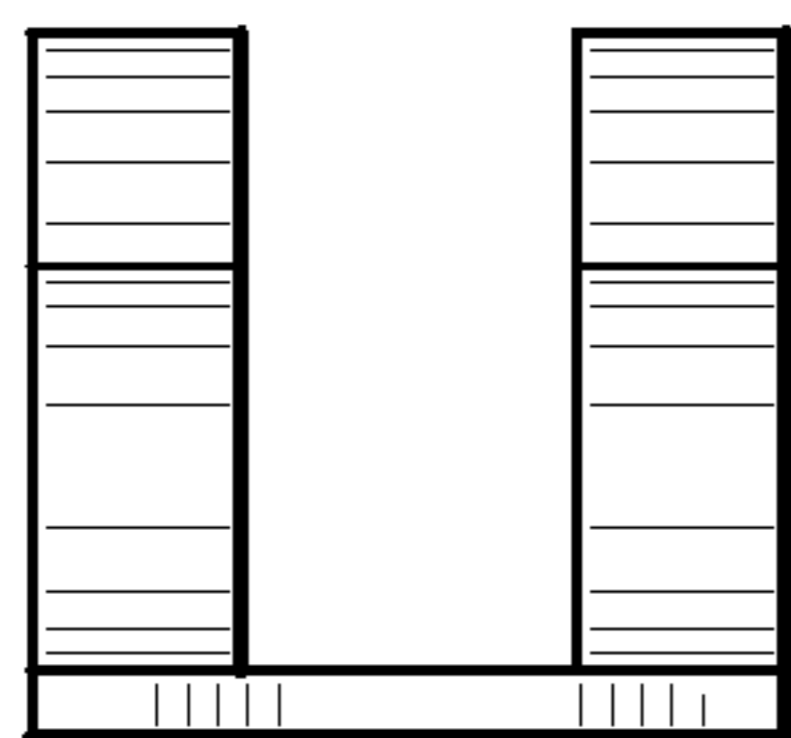


FIG. 9

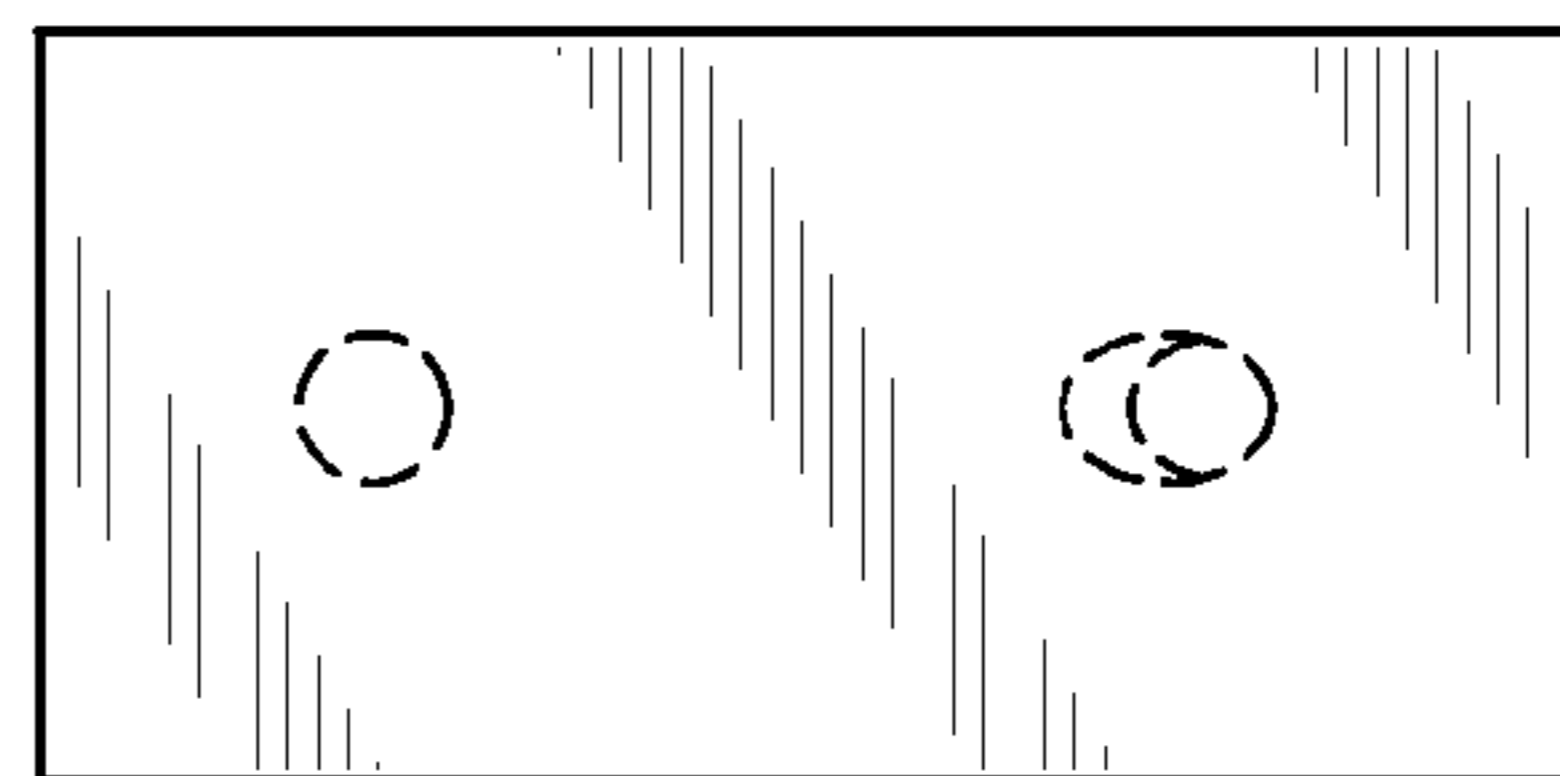


FIG. 10