



US00D614475S

(12) **United States Design Patent**  
**Min**

(10) **Patent No.:** **US D614,475 S**  
(45) **Date of Patent:** **\*\* Apr. 27, 2010**

(54) **DOOR LOCK**

(76) Inventor: **Yu Min**, East 5/F, Bldg. 25, Tianjian Industrial Park, Shangbao Rd., Futian District, Shenzhen (CN)

(\*\*) Term: **14 Years**

(21) Appl. No.: **29/333,379**

(22) Filed: **Mar. 9, 2009**

(30) **Foreign Application Priority Data**

Oct. 9, 2008 (CN) ..... 2008 3 0155846

(51) **LOC (9) Cl.** ..... **08-07**

(52) **U.S. Cl.** ..... **D8/331**

(58) **Field of Classification Search** ..... D8/331, D8/300, 301, 302, 330, 332, 338, 343, 346, D8/349, 350; 70/106, 107, 119, 179, 211, 70/214, 224, 277, 279.1, 280, 282, 283, 285; 235/130 R, 382, 382.5; 292/169

See application file for complete search history.

(56) **References Cited**

**U.S. PATENT DOCUMENTS**

4,637,237 A \* 1/1987 Witkoski et al. .... 70/285  
D305,861 S \* 2/1990 Kautt ..... D8/330  
D351,982 S \* 11/1994 Chen ..... D8/330

5,475,996 A \* 12/1995 Chen ..... 70/279.1  
D390,446 S \* 2/1998 Gartner ..... D8/343  
6,145,353 A \* 11/2000 Doucet ..... 70/277  
6,733,050 B1 \* 5/2004 Yao ..... 292/169  
D495,943 S \* 9/2004 Hentschel et al. .... D8/330  
D501,388 S \* 2/2005 Carpintero ..... D8/301  
D545,172 S \* 6/2007 Kaiser et al. .... D8/331  
D545,662 S \* 7/2007 Lu ..... D8/302  
D552,967 S \* 10/2007 Roberts et al. .... D8/350

\* cited by examiner

*Primary Examiner*—Prabhakar Deshmukh

*Assistant Examiner*—Derrick Holland

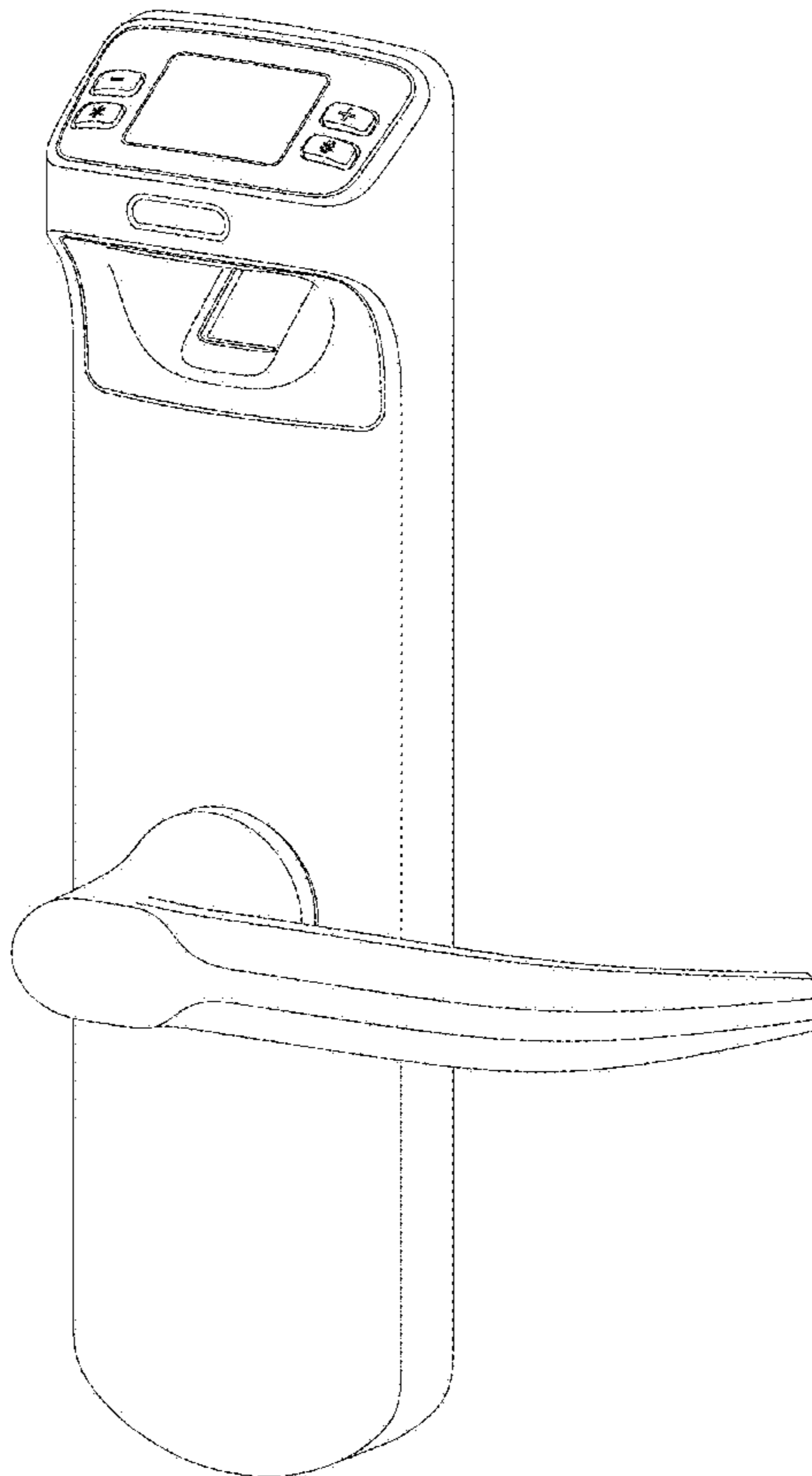
(57) **CLAIM**

The ornamental design for a door lock, as shown and described.

**DESCRIPTION**

FIG. 1 is a front view of a door lock showing my new design;  
FIG. 2 is a left side view thereof;  
FIG. 3 is a right side view thereof;  
FIG. 4 is a top plan view thereof;  
FIG. 5 is a bottom plan view thereof;  
FIG. 6 is a perspective view thereof; and,  
FIG. 7 is a rear view thereof.

**1 Claim, 5 Drawing Sheets**



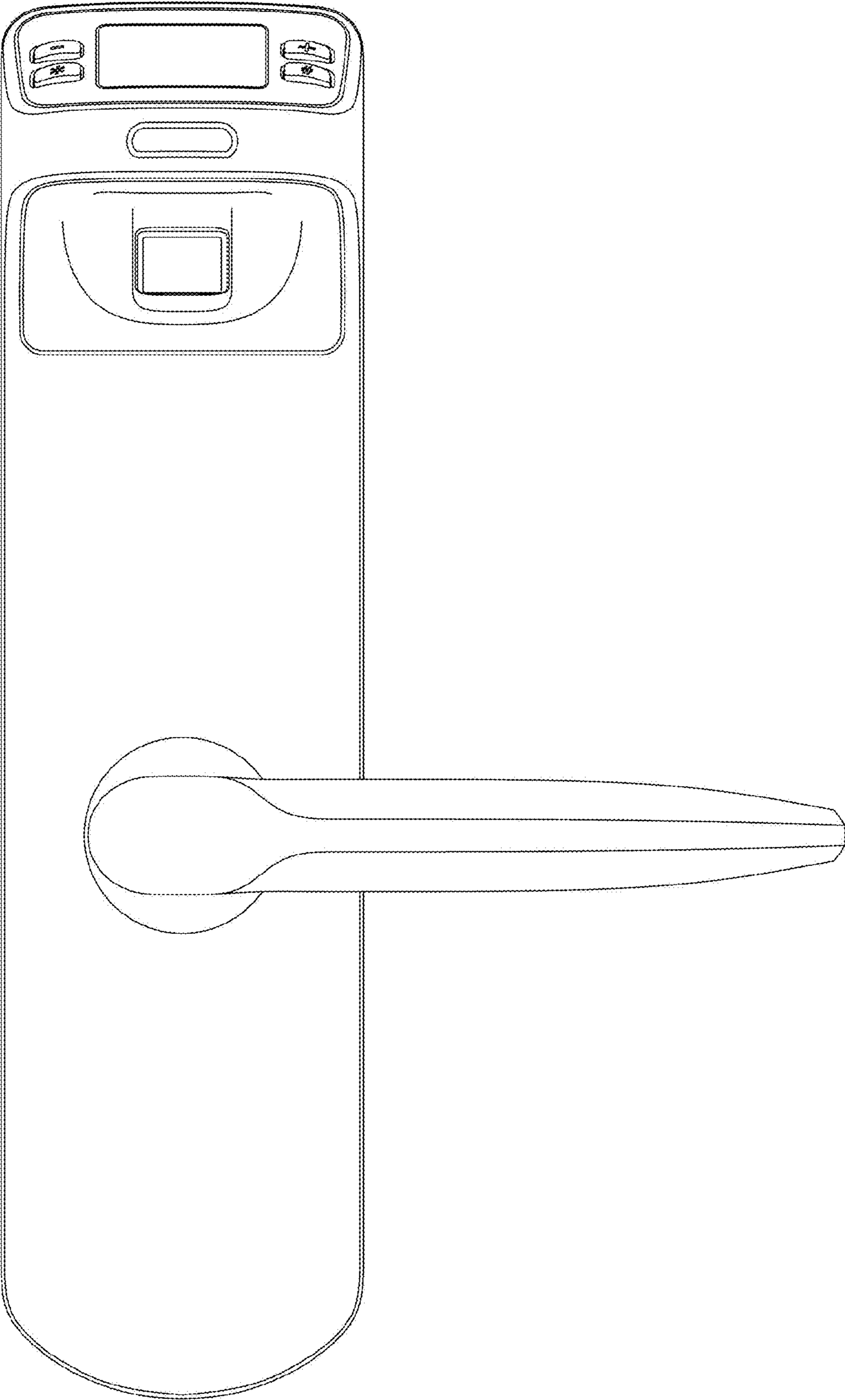


FIG. 1

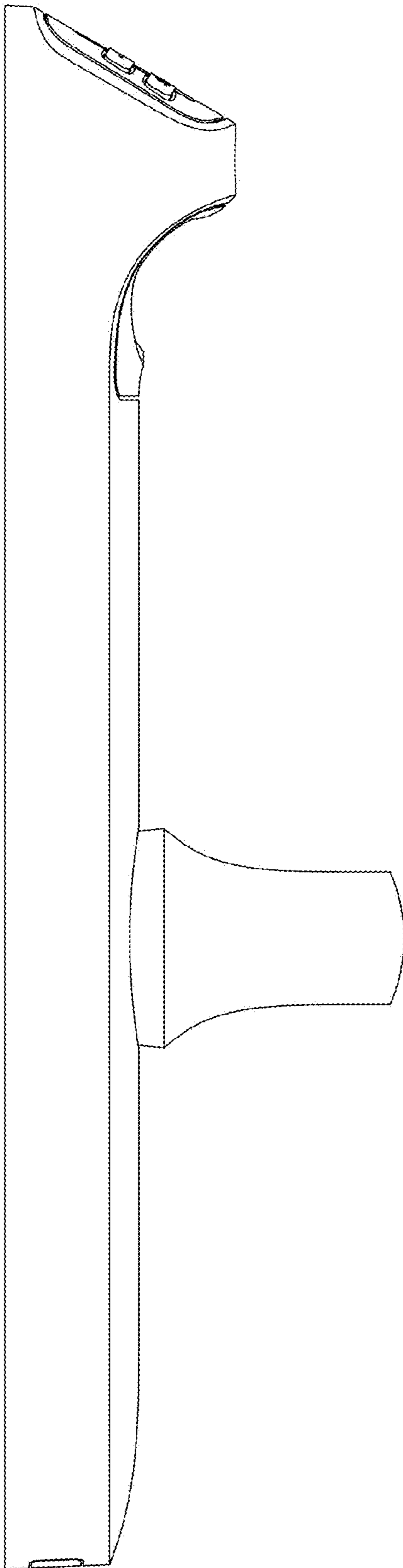


FIG. 2

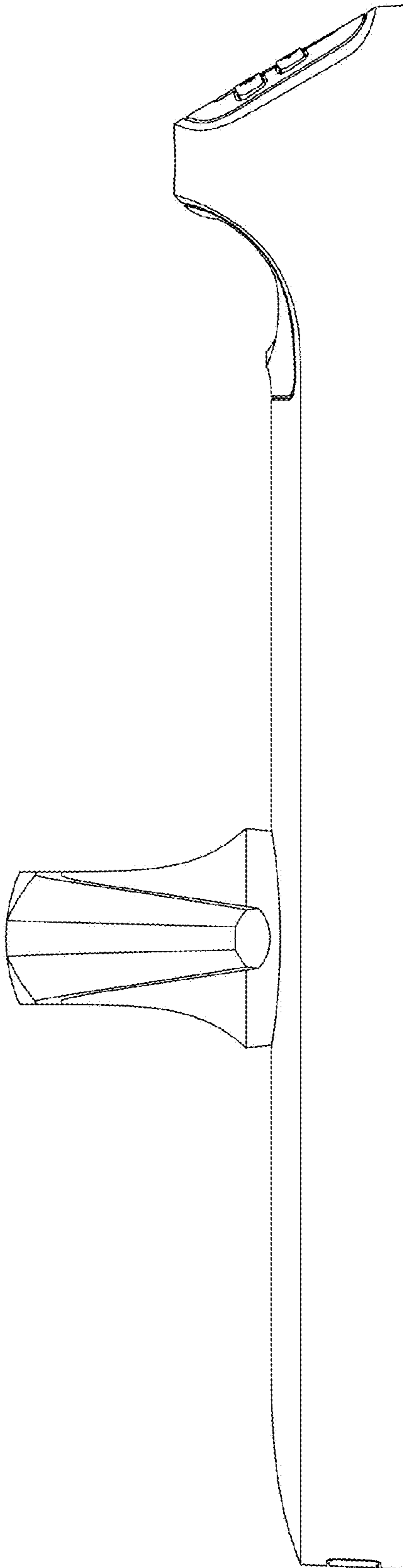


FIG. 3

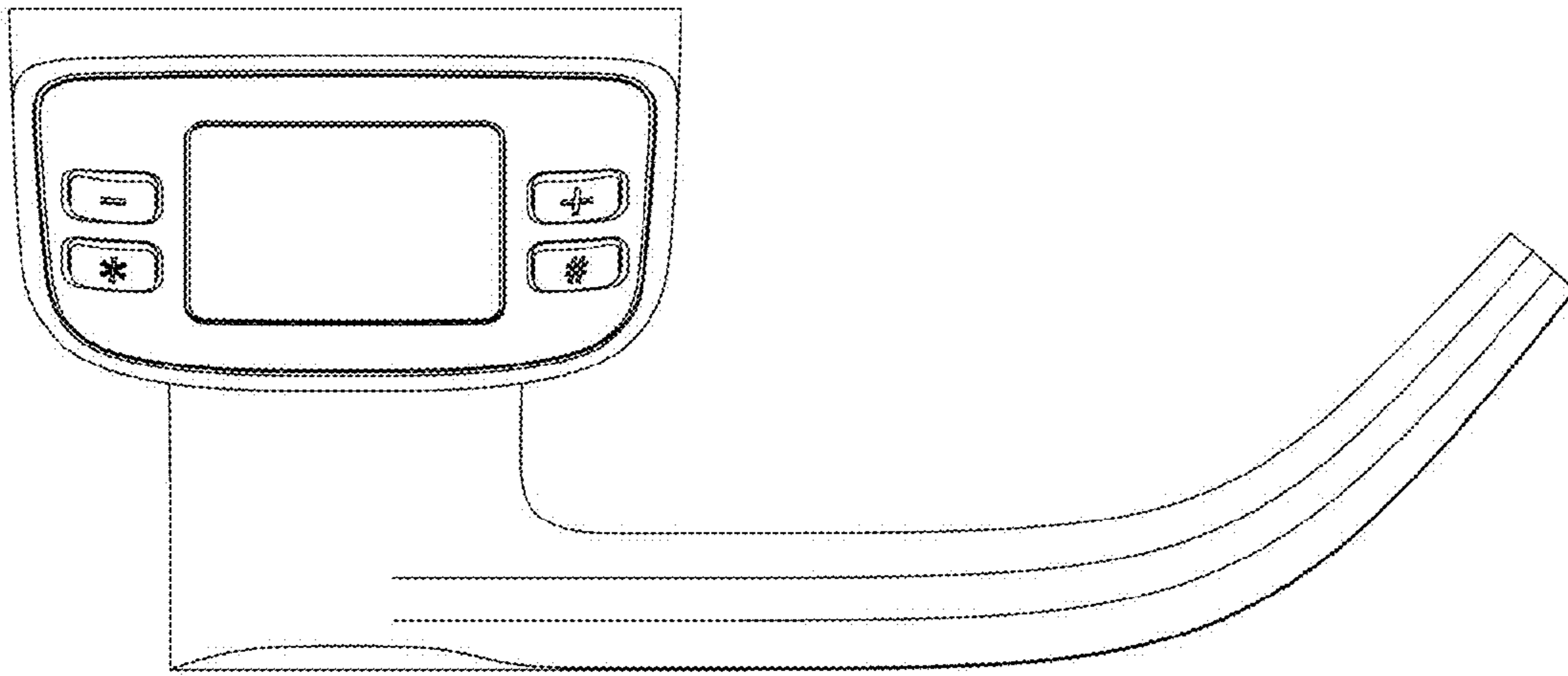


FIG. 4

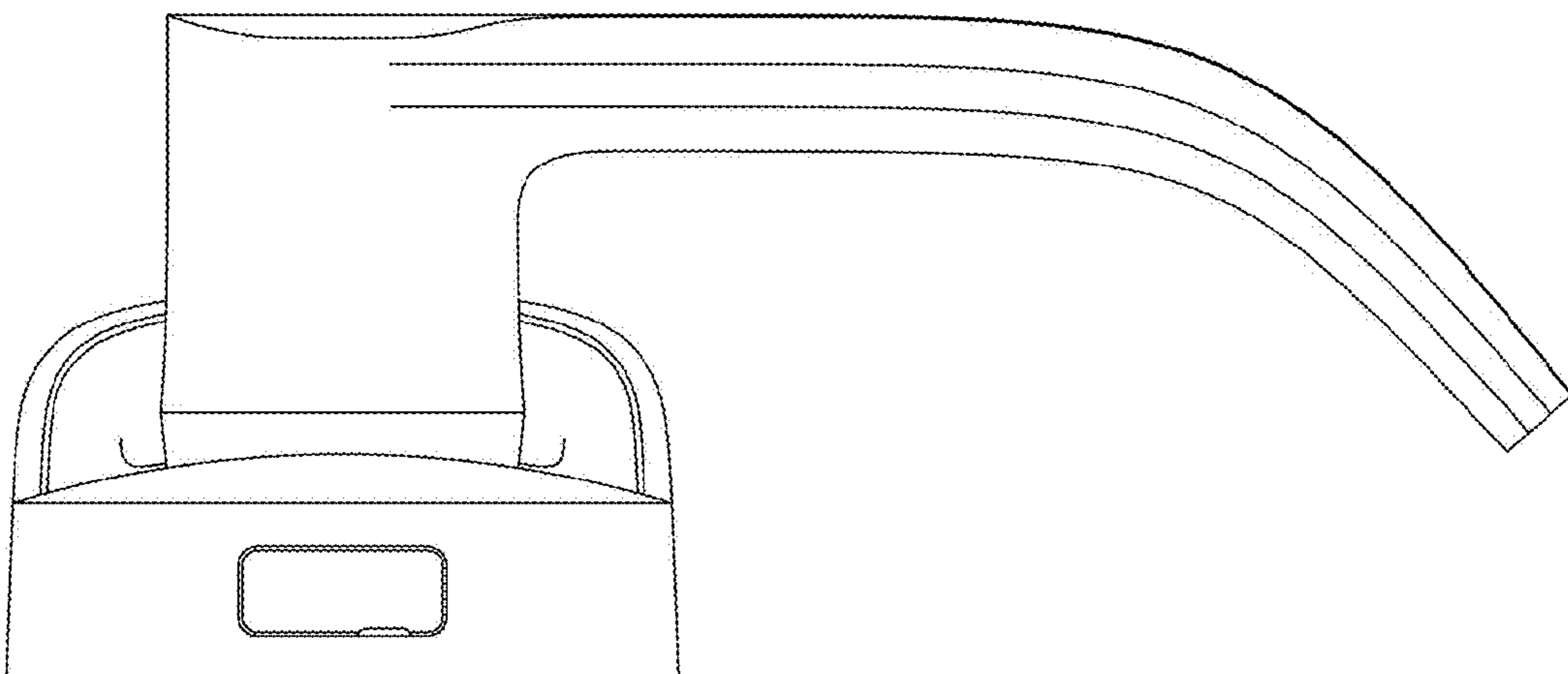


FIG. 5

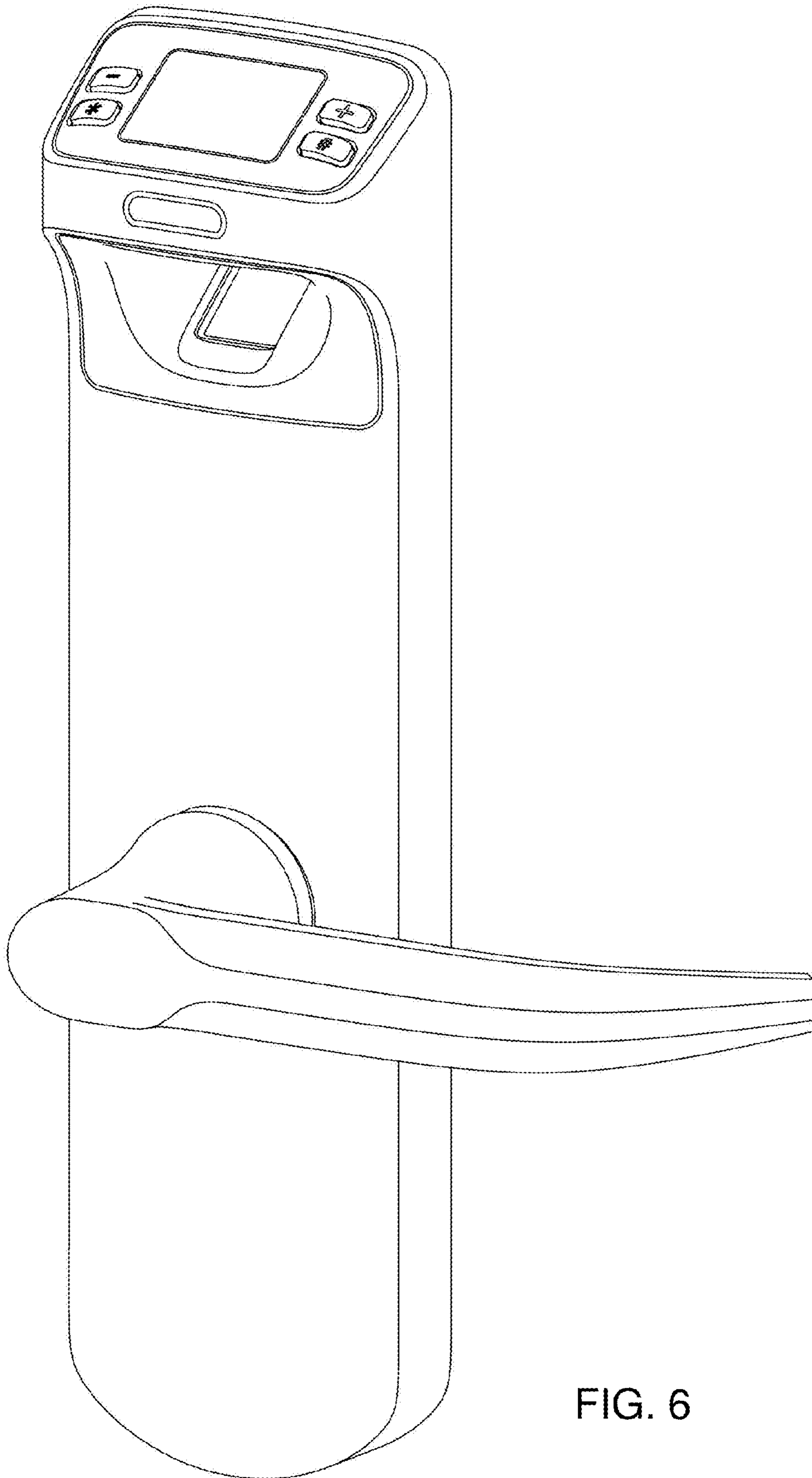


FIG. 6

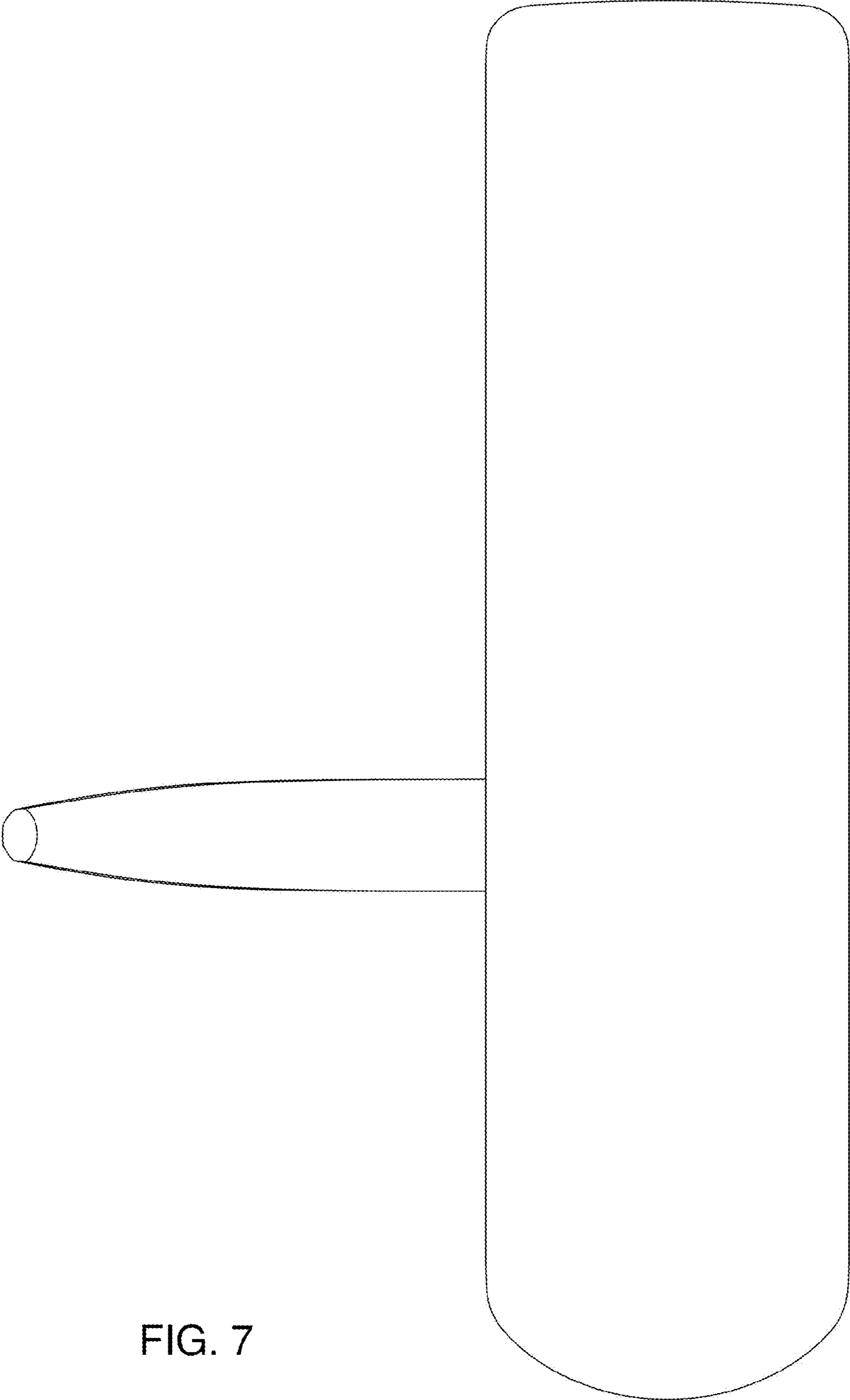


FIG. 7