



US00D614474S

(12) **United States Design Patent**
Edwards et al.

(10) **Patent No.:** **US D614,474 S**
(45) **Date of Patent:** **** Apr. 27, 2010**

(54) **TOILET SEAT HINGE**

(75) Inventors: **Merle Edwards**, Guangdong (CN);
John Seaman, Sheboygan Falls, WI
(US); **Brian LeMahieu**, Sheboygan, WI
(US); **Patrick J. Raymakers**,
Sheboygan, WI (US)

(73) Assignee: **Bemis Manufacturing Company**,
Sheboygan Falls, WI (US)

(**) Term: **14 Years**

(21) Appl. No.: **29/324,022**

(22) Filed: **Sep. 4, 2008**

(51) **LOC (9) Cl.** **08-06**

(52) **U.S. Cl.** **D8/326; D8/323; D23/311**

(58) **Field of Classification Search** D8/355,
D8/381, 323-330; 4/236, 240; D23/302,
D23/303, 311; 16/309, 235, 275, 244, 379,
16/390, 430, 241, 238, 245, 236, 243, 242;
49/381

See application file for complete search history.

(56) **References Cited**

U.S. PATENT DOCUMENTS

D99,756 S *	5/1936	Atwood	D8/327
D192,783 S *	5/1962	Coggins	D8/326
4,974,262 A *	12/1990	Rosen	4/236
D358,973 S	6/1995	Spaeth		
D370,252 S	5/1996	Hulsebus		
D421,560 S *	3/2000	Bourgain et al.	D8/327
6,070,295 A	6/2000	Hulsebus		
D481,924 S	11/2003	Hulsebus		
6,704,966 B1 *	3/2004	Kao	16/252
D495,233 S	8/2004	Twomey		
6,826,803 B2 *	12/2004	Twomey	16/387
D510,253 S	10/2005	Twomey		
7,203,975 B2	4/2007	Vierkant, III		

D565,386 S *	4/2008	Bladen et al.	D8/323
D572,807 S *	7/2008	Zhou	D23/311
2003/0145429 A1 *	8/2003	Twomey	16/387
2006/0064808 A1 *	3/2006	Vierkant	4/236
2007/0250996 A1 *	11/2007	Li	4/236
2009/0113610 A1 *	5/2009	Lin et al.	4/240
2009/0211128 A1 *	8/2009	Gemmell	40/299.01
2009/0235442 A1 *	9/2009	Lee	4/217

FOREIGN PATENT DOCUMENTS

TW	590001	6/2004
TW	M314584	7/2007
TW	M339281	9/2008

* cited by examiner

Primary Examiner—Robert M Spear

Assistant Examiner—Cynthia Underwood

(74) *Attorney, Agent, or Firm*—Michael Best & Friedrich
LLP

(57) **CLAIM**

We claim the ornamental design for a toilet seat hinge, as shown and described.

DESCRIPTION

FIG. 1 is a top perspective view of a toilet seat hinge of the invention.

FIG. 2 is a top plan view of the toilet seat hinge shown in FIG. 1.

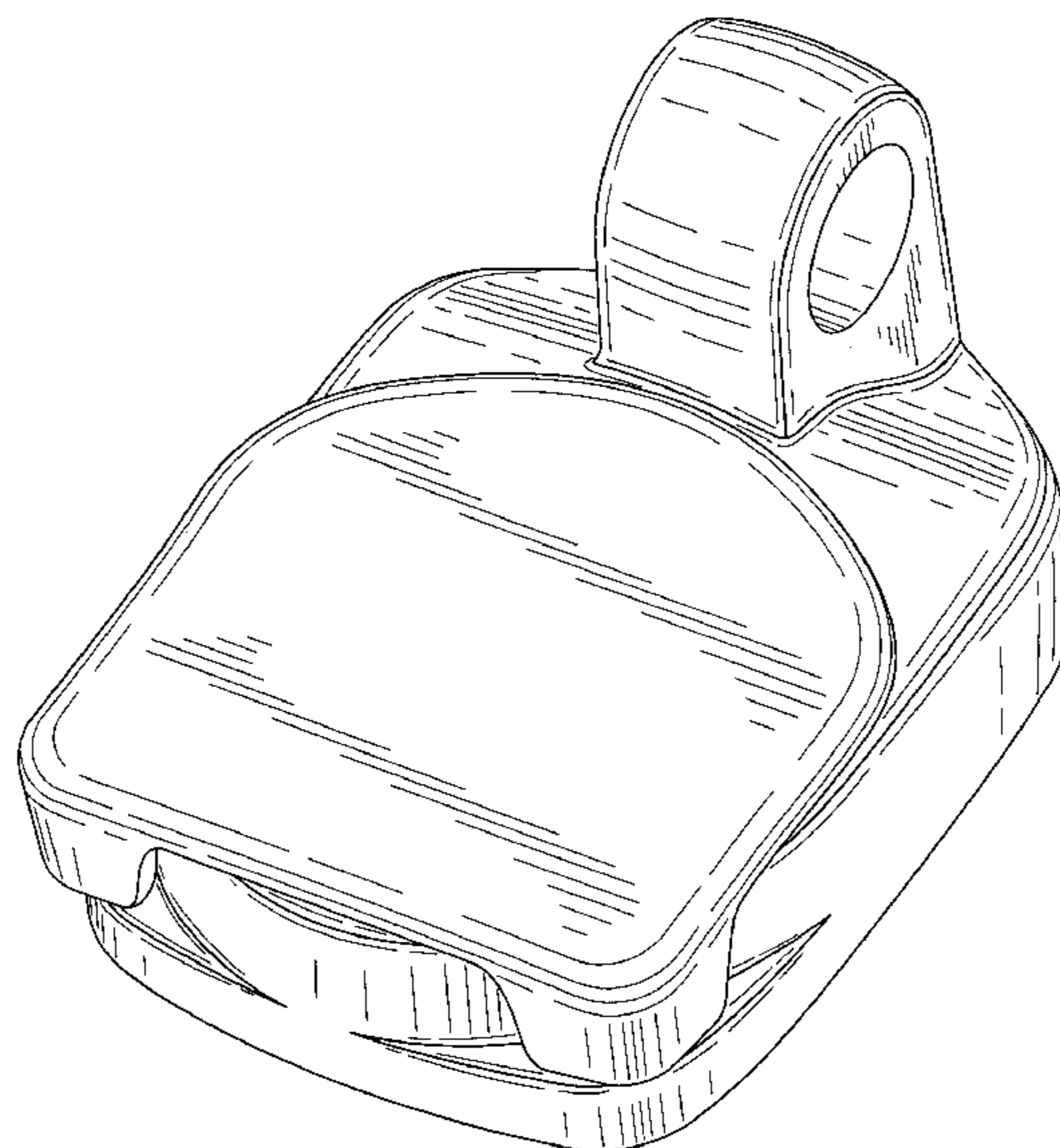
FIG. 3 is a right side view of the toilet seat hinge shown in FIG. 1, the left side view being a mirror image thereof.

FIG. 4 is a front elevational view of the toilet seat hinge shown in FIG. 1; and,

FIG. 5 is a rear elevational view of the toilet seat hinge shown in FIG. 1.

The bottom view is not part of the claimed design.

1 Claim, 3 Drawing Sheets



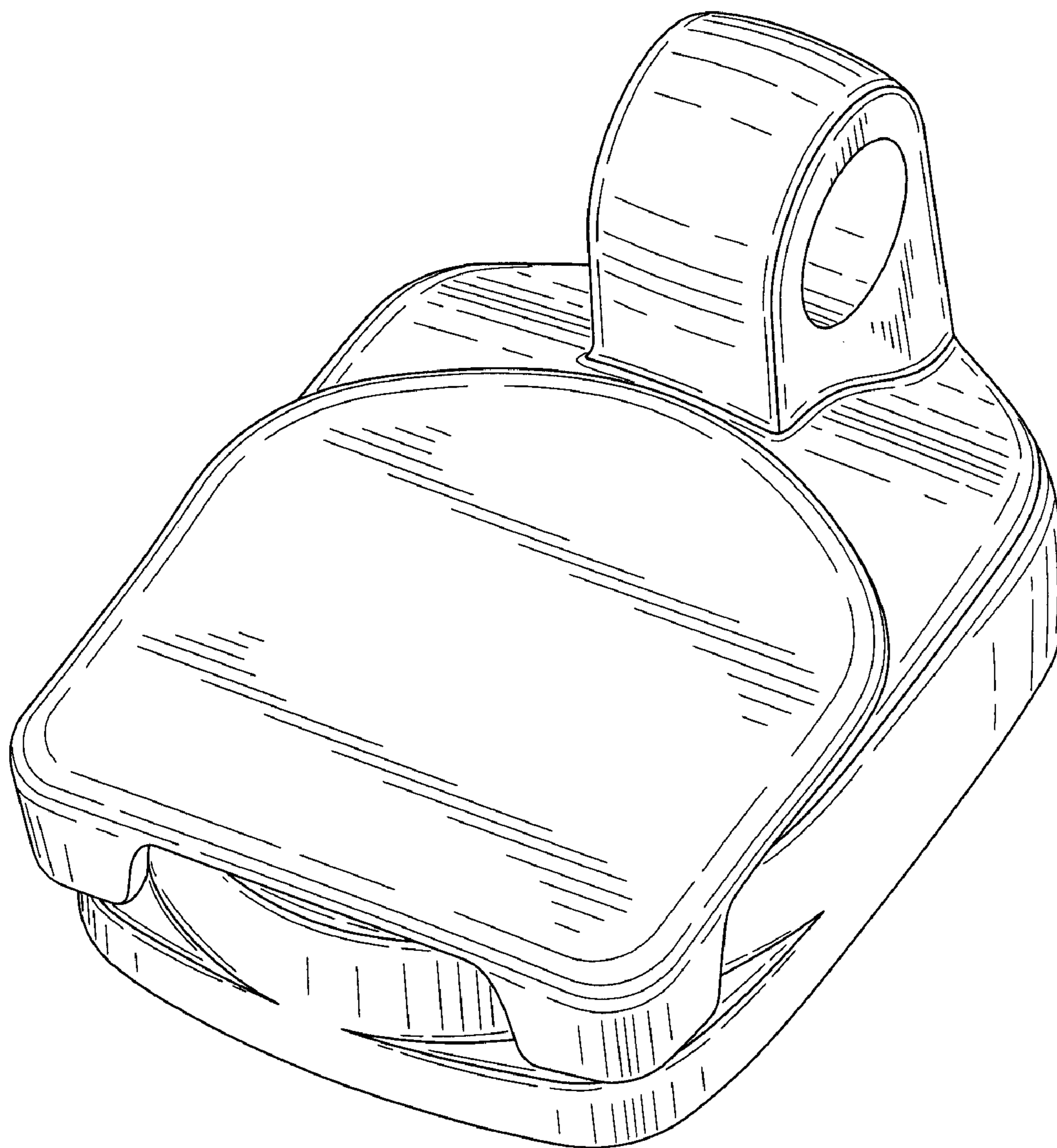


FIG. 1

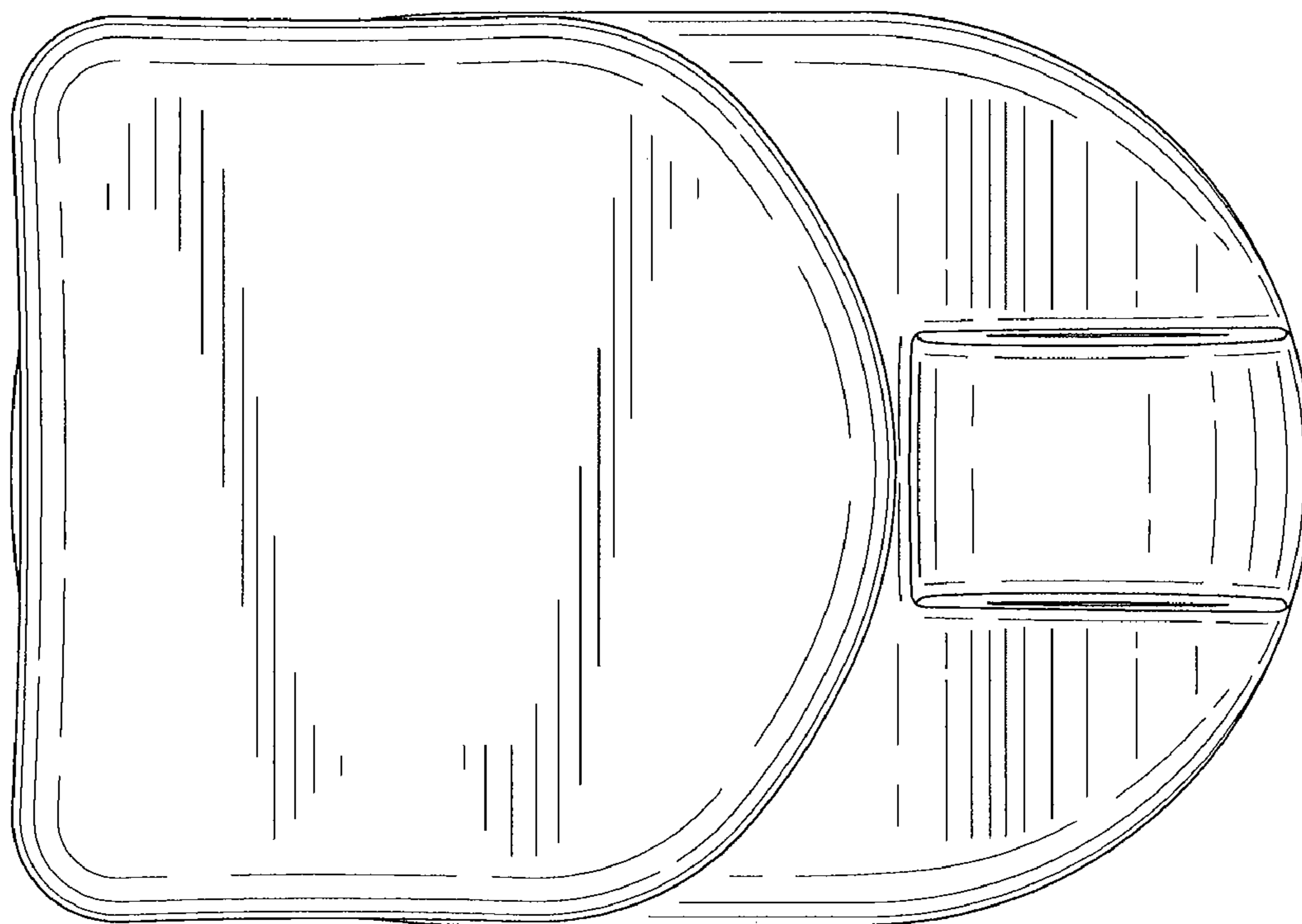


FIG. 2

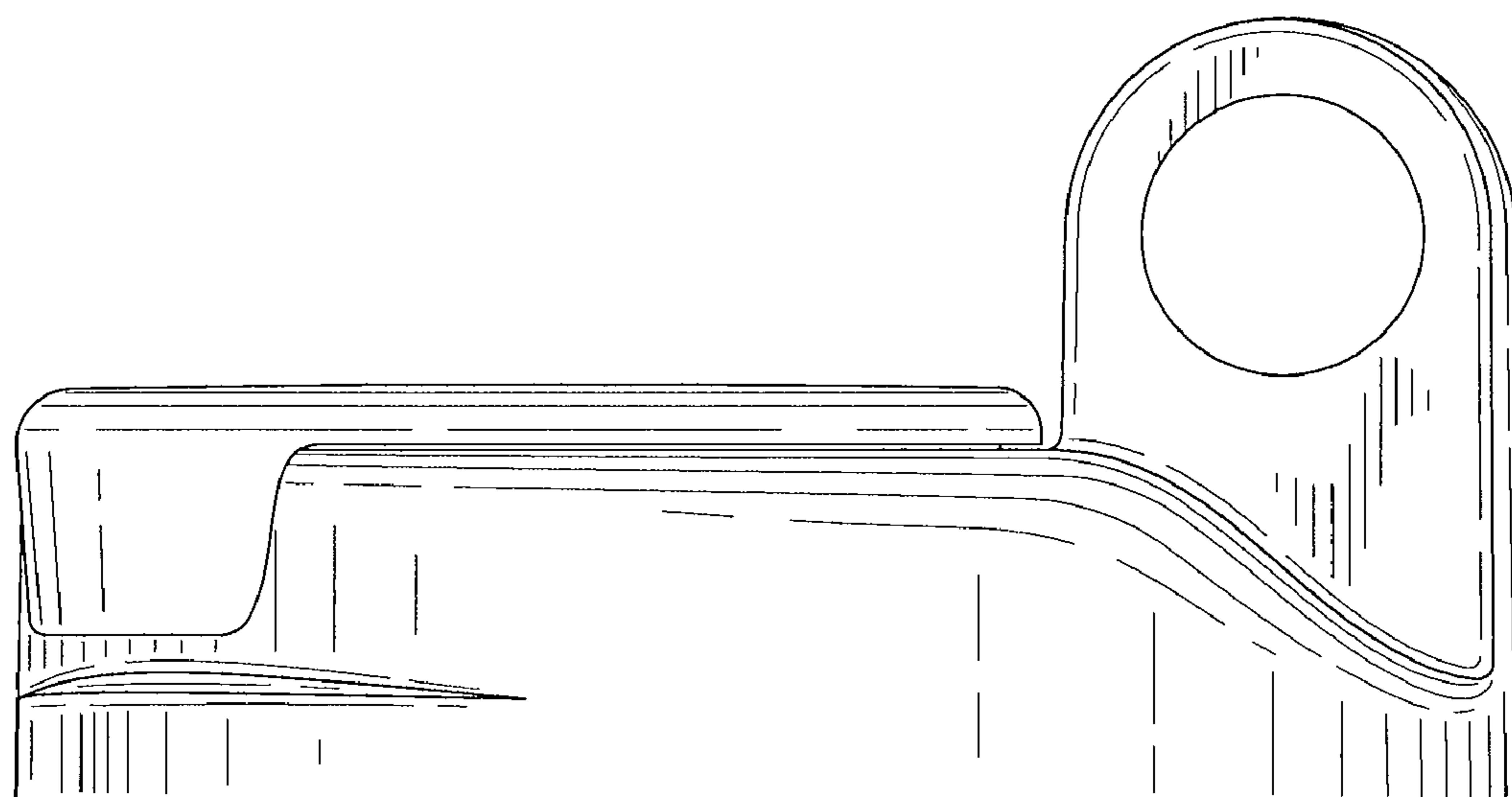


FIG. 3

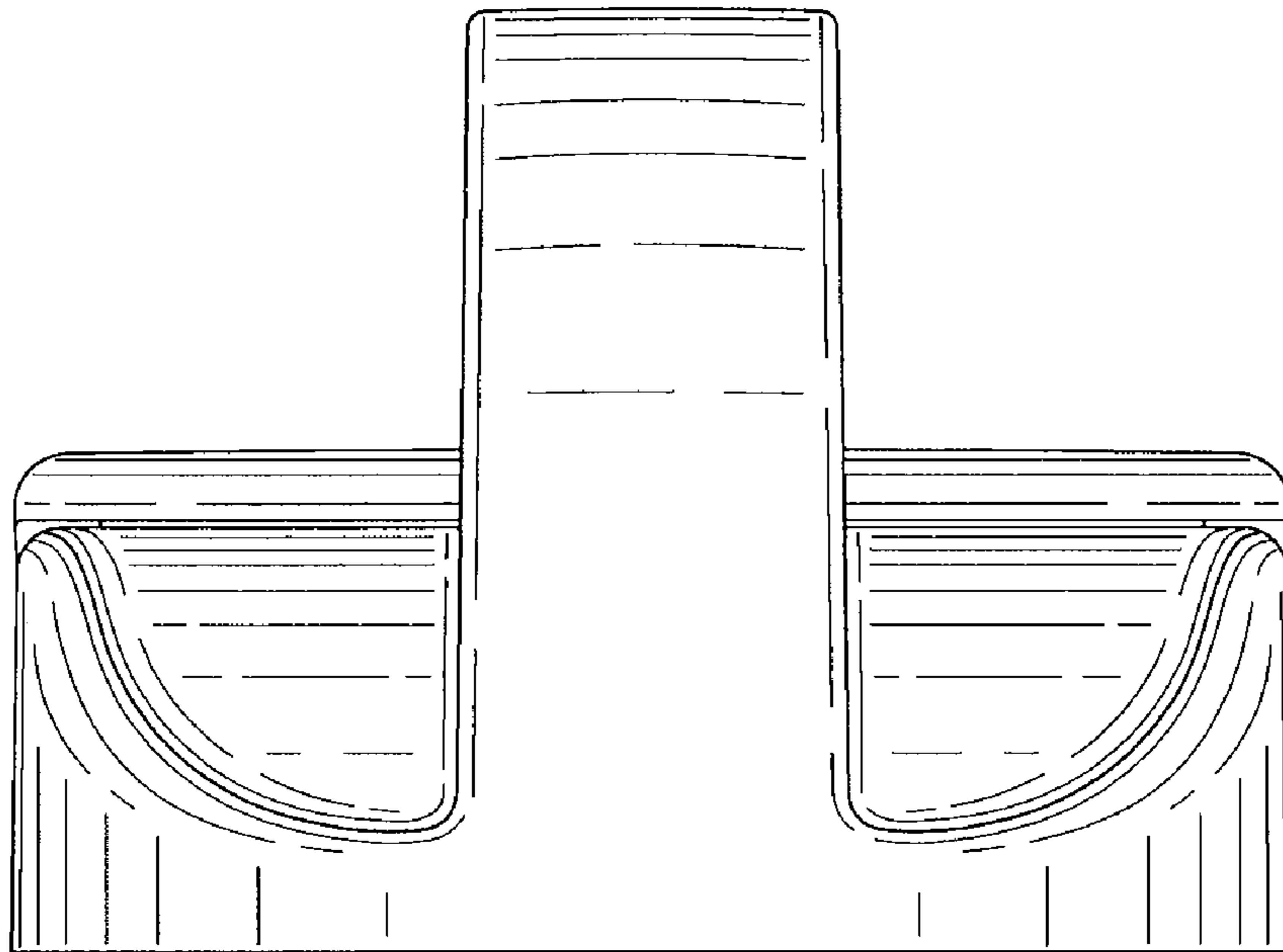


FIG. 4

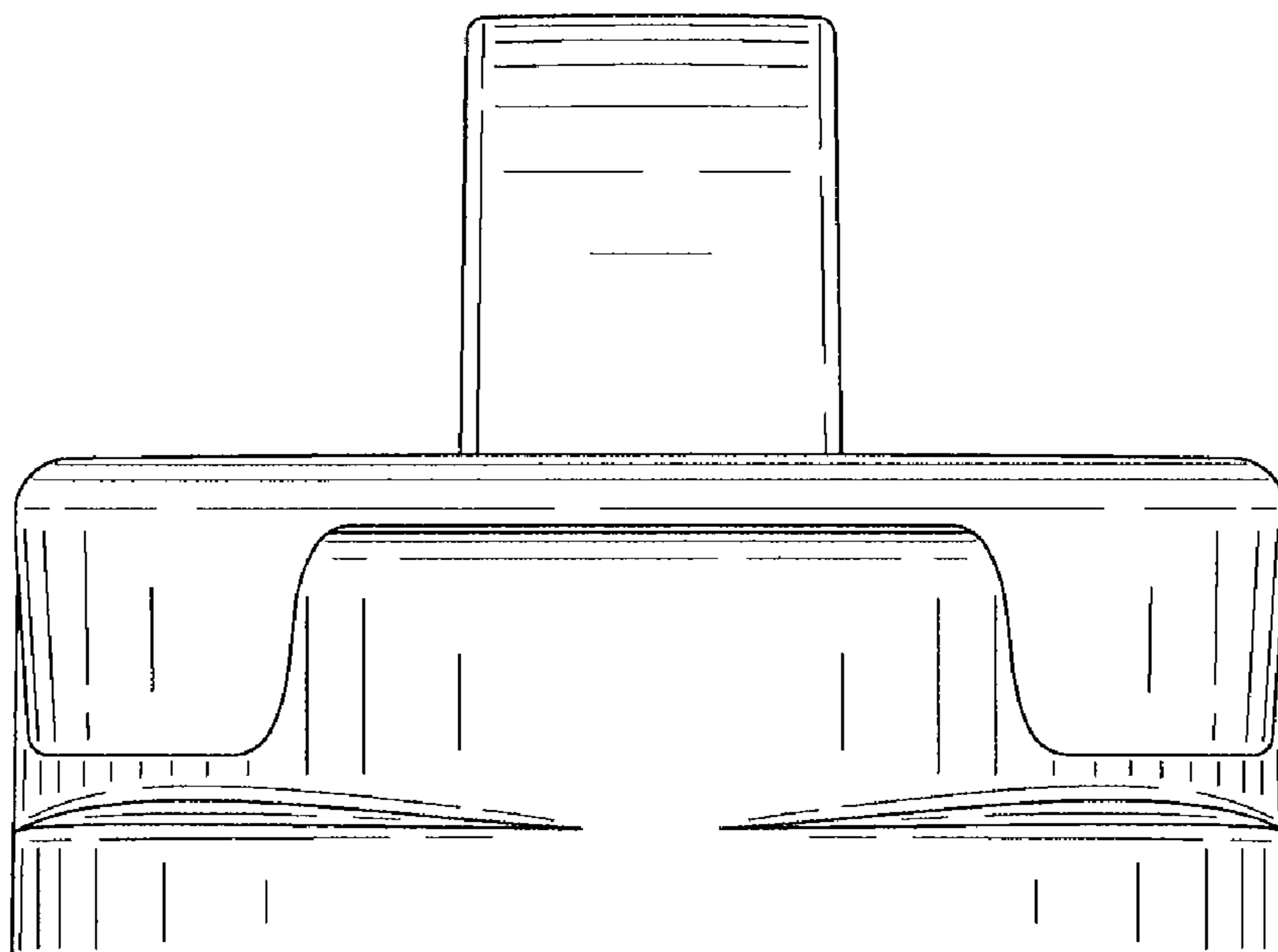


FIG. 5