



US00D614469S

(12) **United States Design Patent**
Hahn et al.

(10) **Patent No.:** **US D614,469 S**

(45) **Date of Patent:** **** *Apr. 27, 2010**

(54) **HAMMER**

D526,873 S * 8/2006 Tsuzuki et al. D8/69

D590,225 S * 4/2009 Sell D8/68

(75) Inventors: **Norbert Hahn**, Hunstetten (DE);
Frantisek Harcar, Lipany (SK)

(73) Assignee: **Black & Decker Inc.**, Newark, DE (US)

* cited by examiner

(*) Notice: This patent is subject to a terminal disclaimer.

Primary Examiner—Antoine D Davis

(74) *Attorney, Agent, or Firm*—Kofi A. Schulerbrandt; Scott B. Markow; Adan Ayala

(**) Term: **14 Years**

(21) Appl. No.: **29/331,253**

(57) **CLAIM**

(22) Filed: **Jan. 22, 2009**

The ornamental design for a hammer, as shown and described.

(30) **Foreign Application Priority Data**

Jul. 22, 2008 (EM) 000974472

DESCRIPTION

(51) **LOC (9) Cl.** **08-05**

(52) **U.S. Cl.** **D8/69**

(58) **Field of Classification Search** D8/61–69;
81/57.11, 429, 464, 465, 466, 469, 489; 173/13,
173/169, 178, 213, 217; 227/8, 114, 120,
227/130, 136, 142; 310/50; 408/20, 124,
408/125, 234, 241 R; 451/358

FIG. 1 is a perspective view of the hammer.

FIG. 2 is a left view thereof

FIG. 3 is a right view thereof.

FIG. 4 is a front view thereof.

FIG. 5 is a rear view thereof.

FIG. 6 is a top view thereof; and,

FIG. 7 is a bottom view thereof.

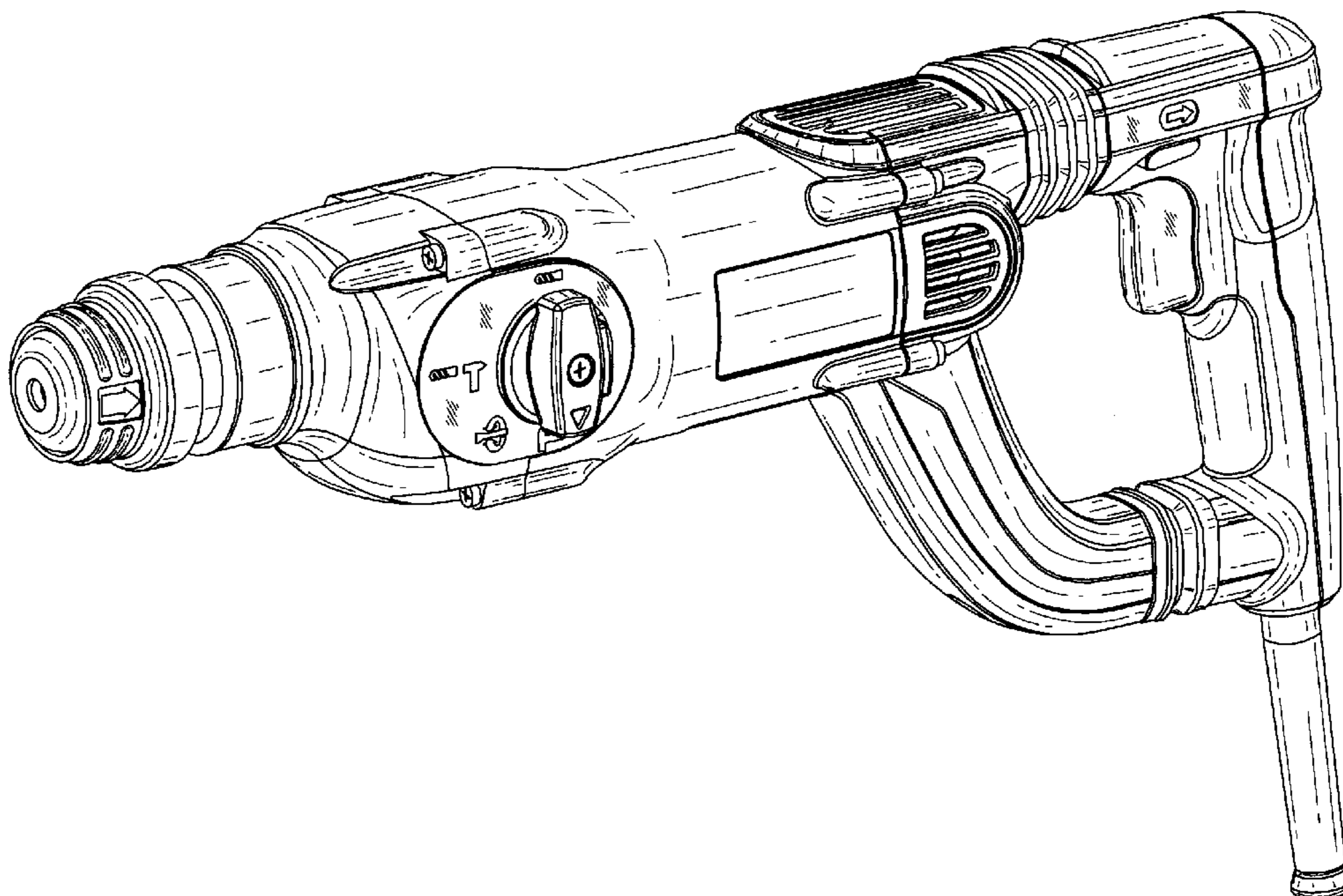
See application file for complete search history.

(56) **References Cited**

U.S. PATENT DOCUMENTS

D473,774 S * 4/2003 Stirn D8/69

1 Claim, 5 Drawing Sheets



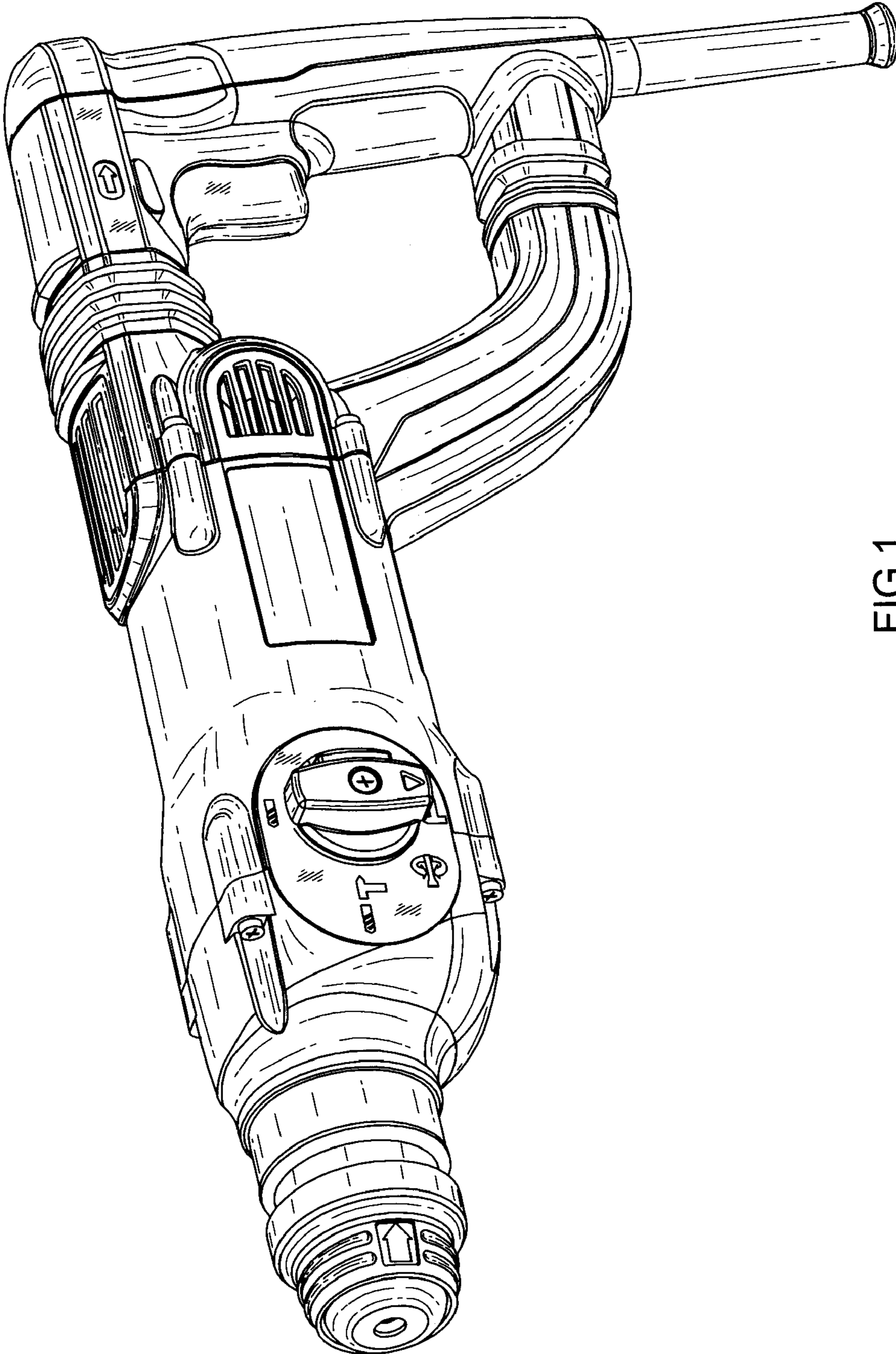


FIG.1

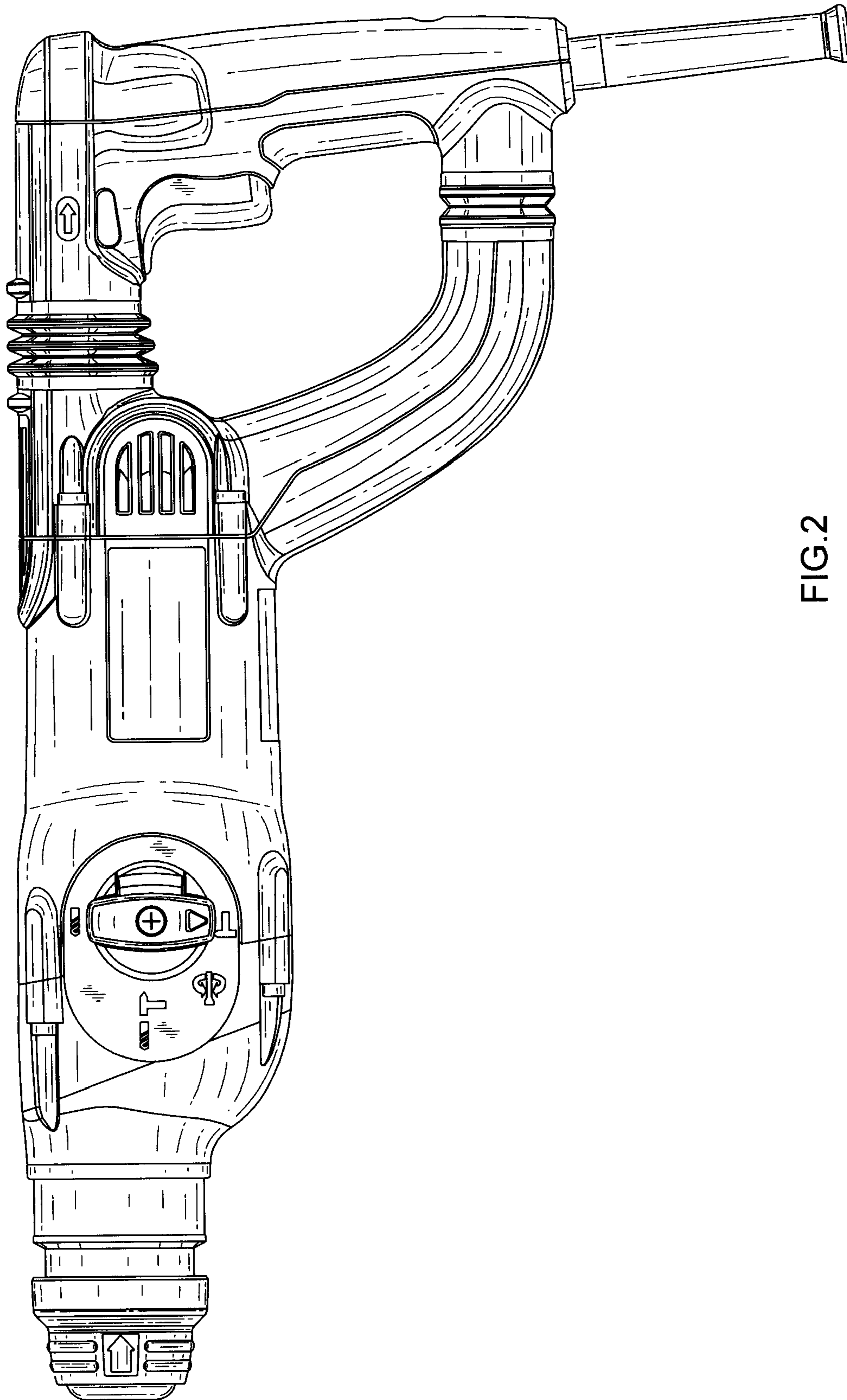


FIG.2

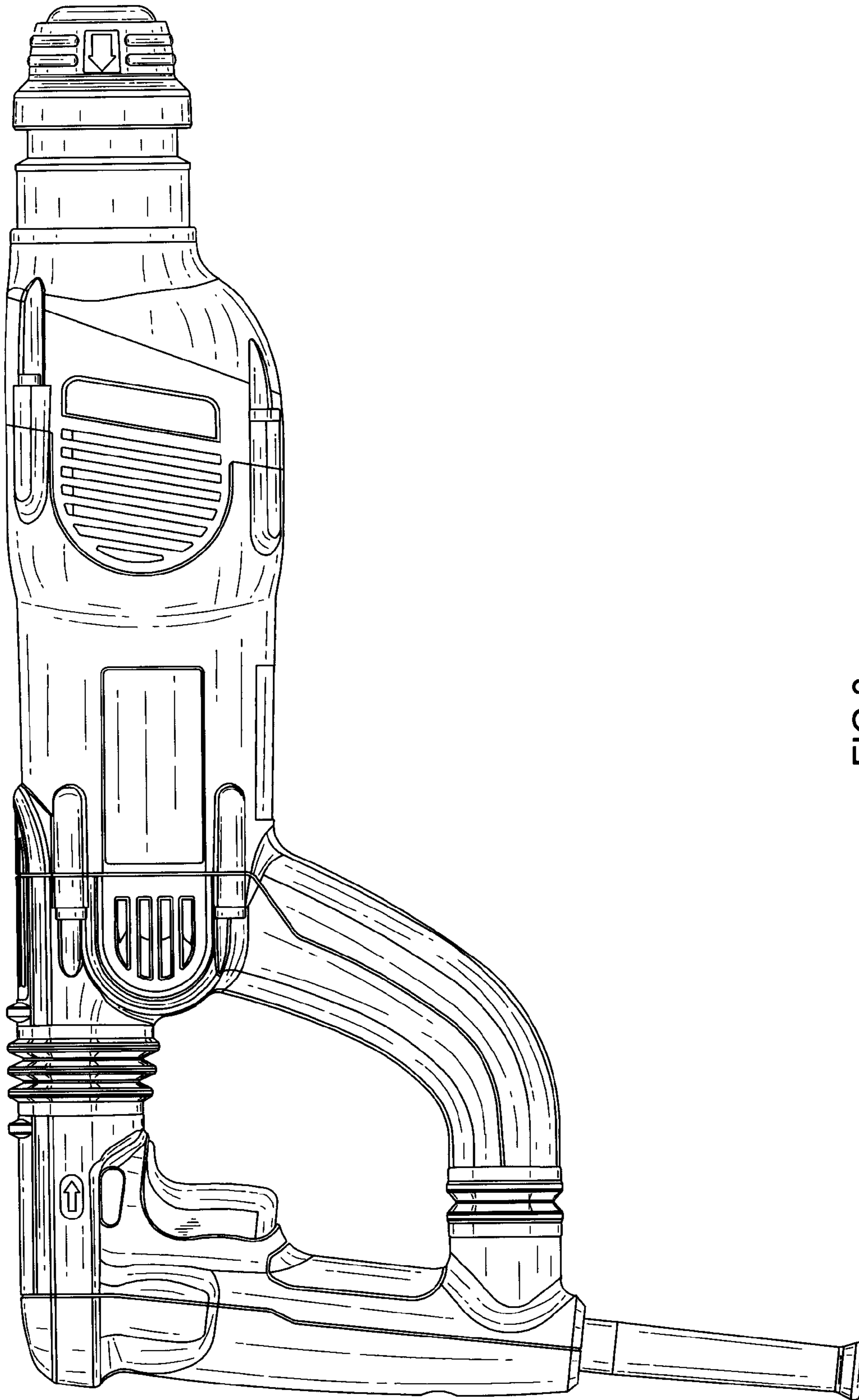


FIG.3

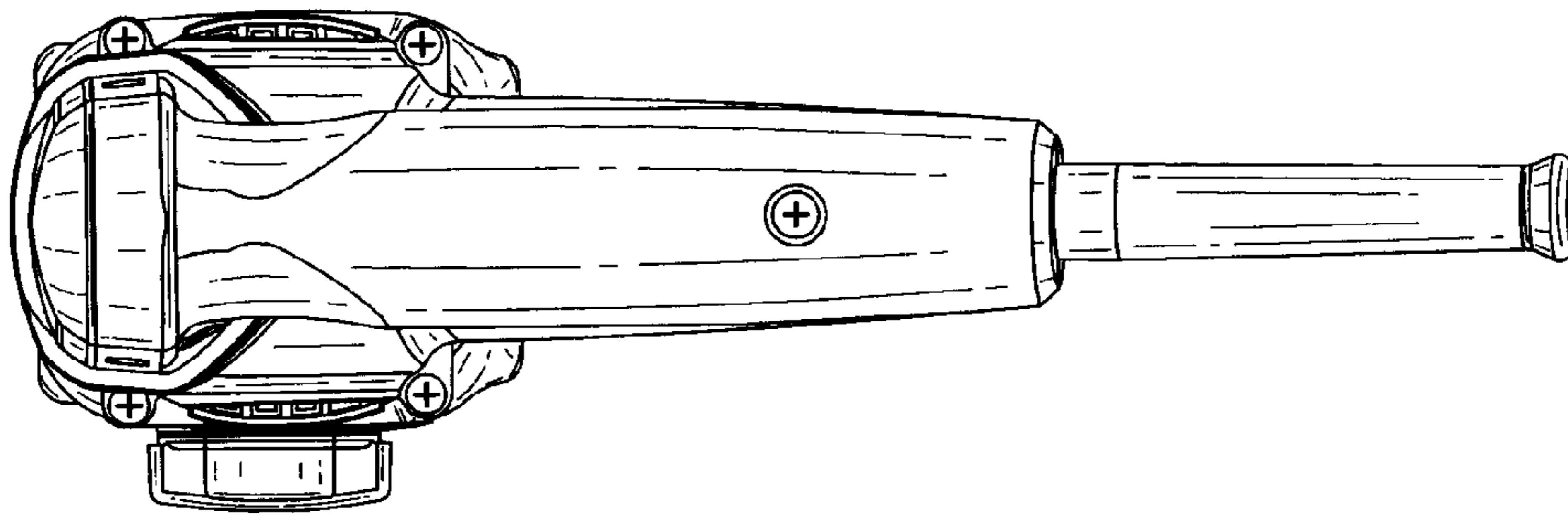


FIG.5

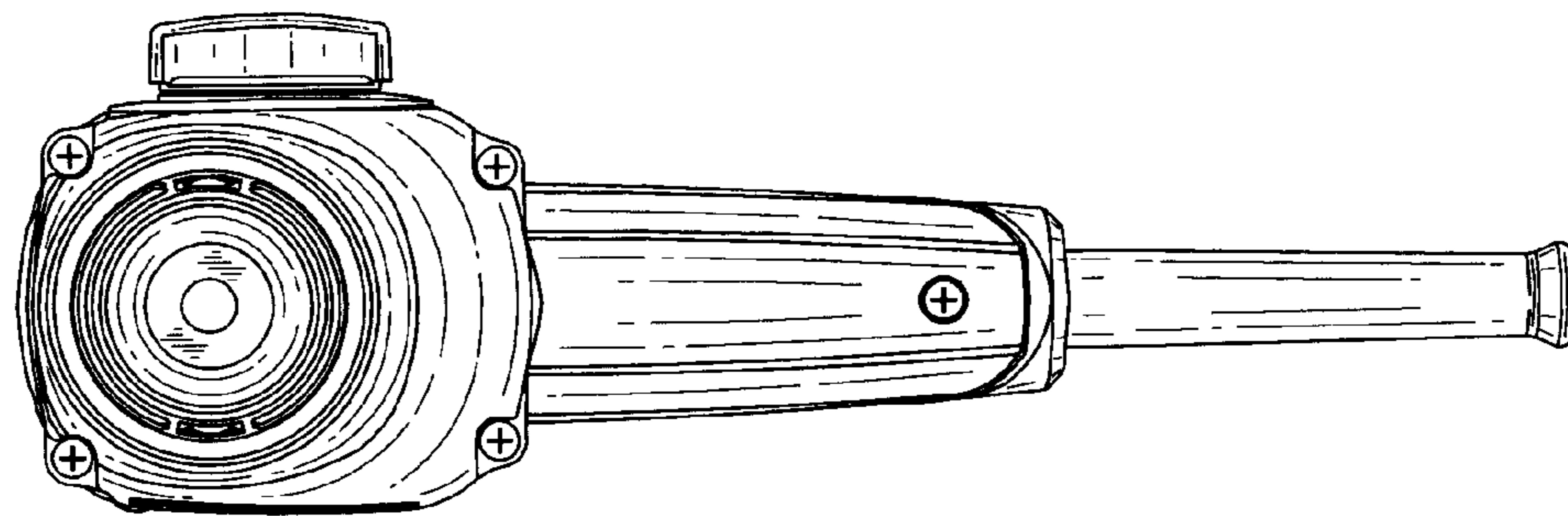


FIG.4

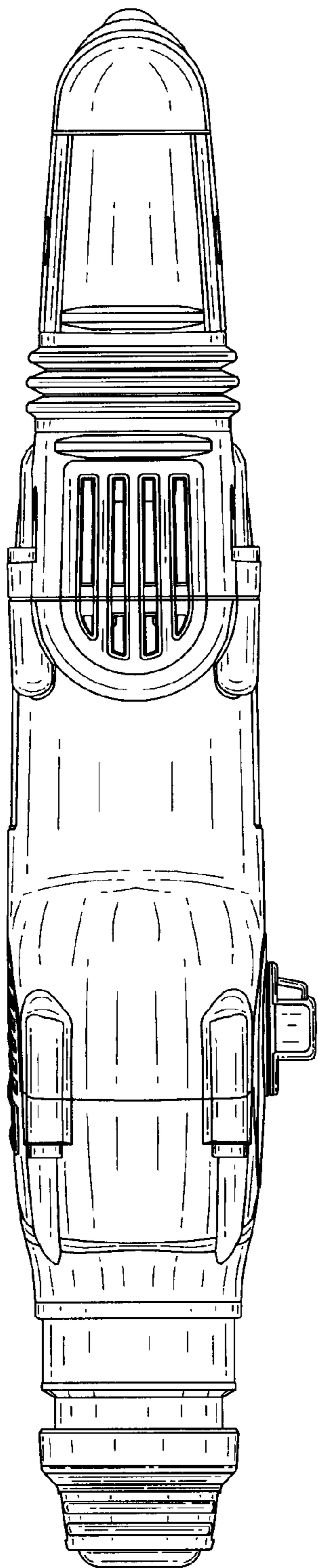


FIG. 6

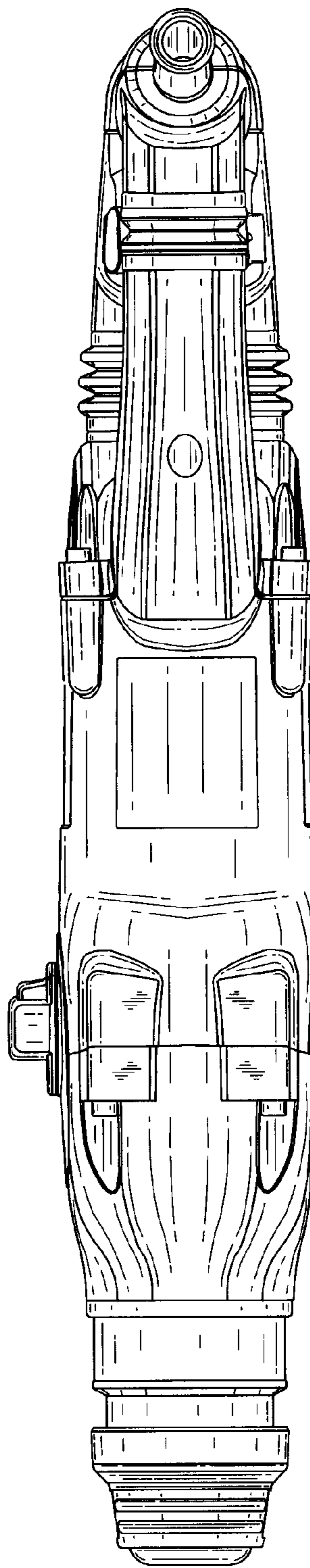


FIG. 7