

US00D614468S

(12) **United States Design Patent**
Aglassinger

(10) **Patent No.:** **US D614,468 S**

(45) **Date of Patent:** **** Apr. 27, 2010**

(54) **IMPACT DRIVER**

(75) Inventor: **Hans-Peter Aglassinger**, Esslingen (DE)

(73) Assignee: **Robert Bosch GmbH**, Stuttgart (DE)

(**) Term: **14 Years**

(21) Appl. No.: **29/351,017**

(22) Filed: **Nov. 27, 2009**

(30) **Foreign Application Priority Data**

Aug. 17, 2009 (EM) 001159792

(51) **LOC (9) Cl.** **08-04**

(52) **U.S. Cl.** **D8/68**

(58) **Field of Classification Search** D8/14.1,
D8/61, 62, 63, 64, 65, 66, 67, 68, 69, 70;
81/57.11, 429, 454, 455, 456, 469, 489; 173/13,
173/104, 114, 168, 169, 170, 171, 178, 201,
173/211, 213, 217; 408/20, 124, 125, 234,
408/241 R; 451/358; 310/50; 227/8, 113,
227/114, 120, 130, 136, 142

See application file for complete search history.

(56) **References Cited**

U.S. PATENT DOCUMENTS

- D520,834 S * 5/2006 Furuta et al. D8/68
- D560,990 S * 2/2008 Aglassinger D8/68
- D585,714 S * 2/2009 Okuda et al. D8/68
- D585,715 S * 2/2009 Okuda et al. D8/68
- D585,716 S * 2/2009 Taniguchi et al. D8/68

D592,476 S * 5/2009 Aglassinger D8/68

* cited by examiner

Primary Examiner—Antoine D Davis

(74) *Attorney, Agent, or Firm*—Victor A. Henzi

(57) **CLAIM**

The ornamental design for an impact driver, as shown and described.

DESCRIPTION

FIG. 1 is a front left perspective view of a first embodiment of the impact driver;

FIG. 2 is a left elevational view thereof;

FIG. 3 is a right elevational view thereof;

FIG. 4 is a front elevational view thereof;

FIG. 5 is a rear elevational view thereof;

FIG. 6 is a top plan view thereof; and

FIG. 7 is a bottom plan view thereof.

FIG. 8 is a front left perspective view of a second embodiment of the impact driver;

FIG. 9 is a left elevational view thereof;

FIG. 10 is a right elevational view thereof;

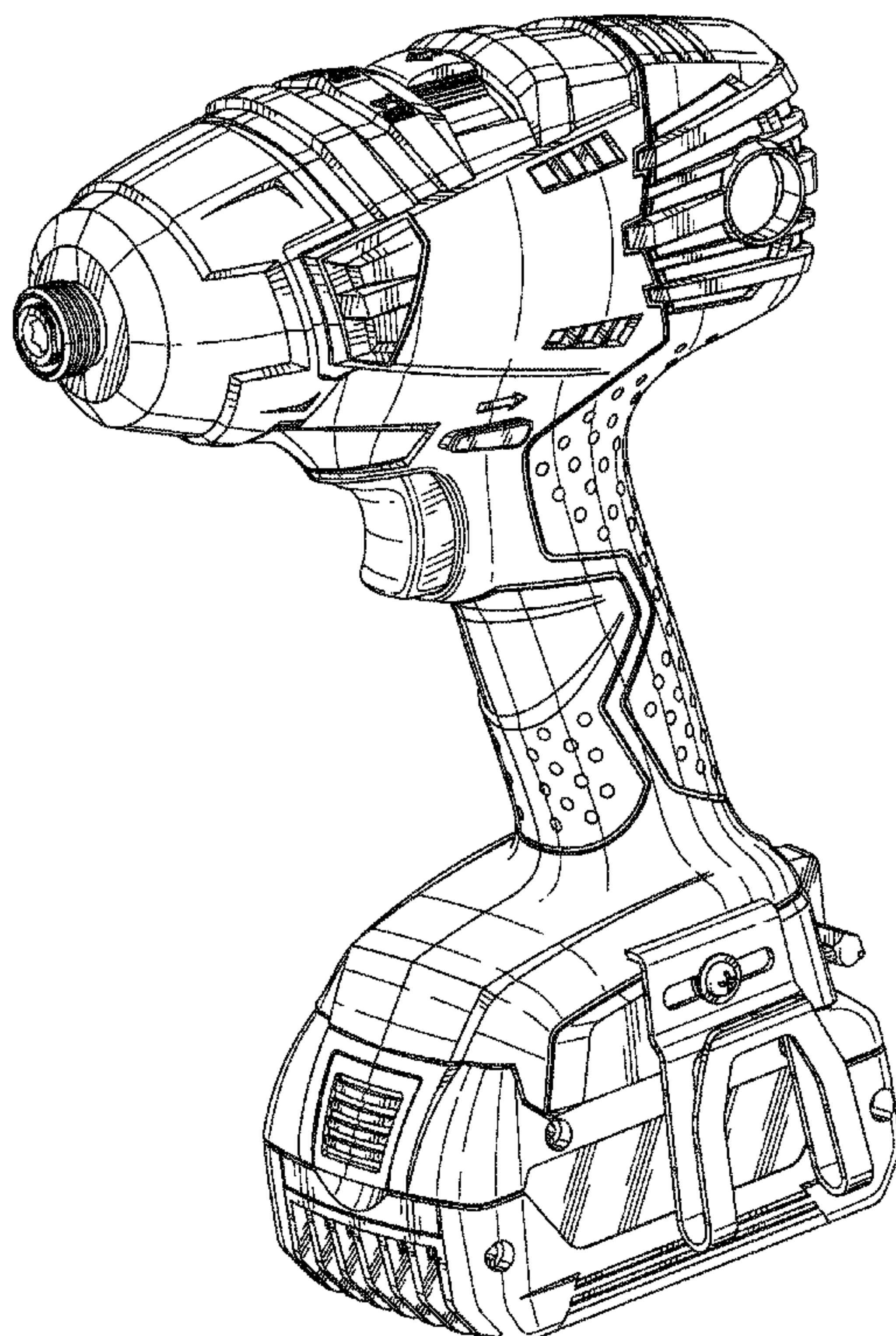
FIG. 11 is a front elevational view thereof;

FIG. 12 is a rear elevational view thereof;

FIG. 13 is a top plan view thereof; and,

FIG. 14 is a bottom plan view thereof.

1 Claim, 12 Drawing Sheets



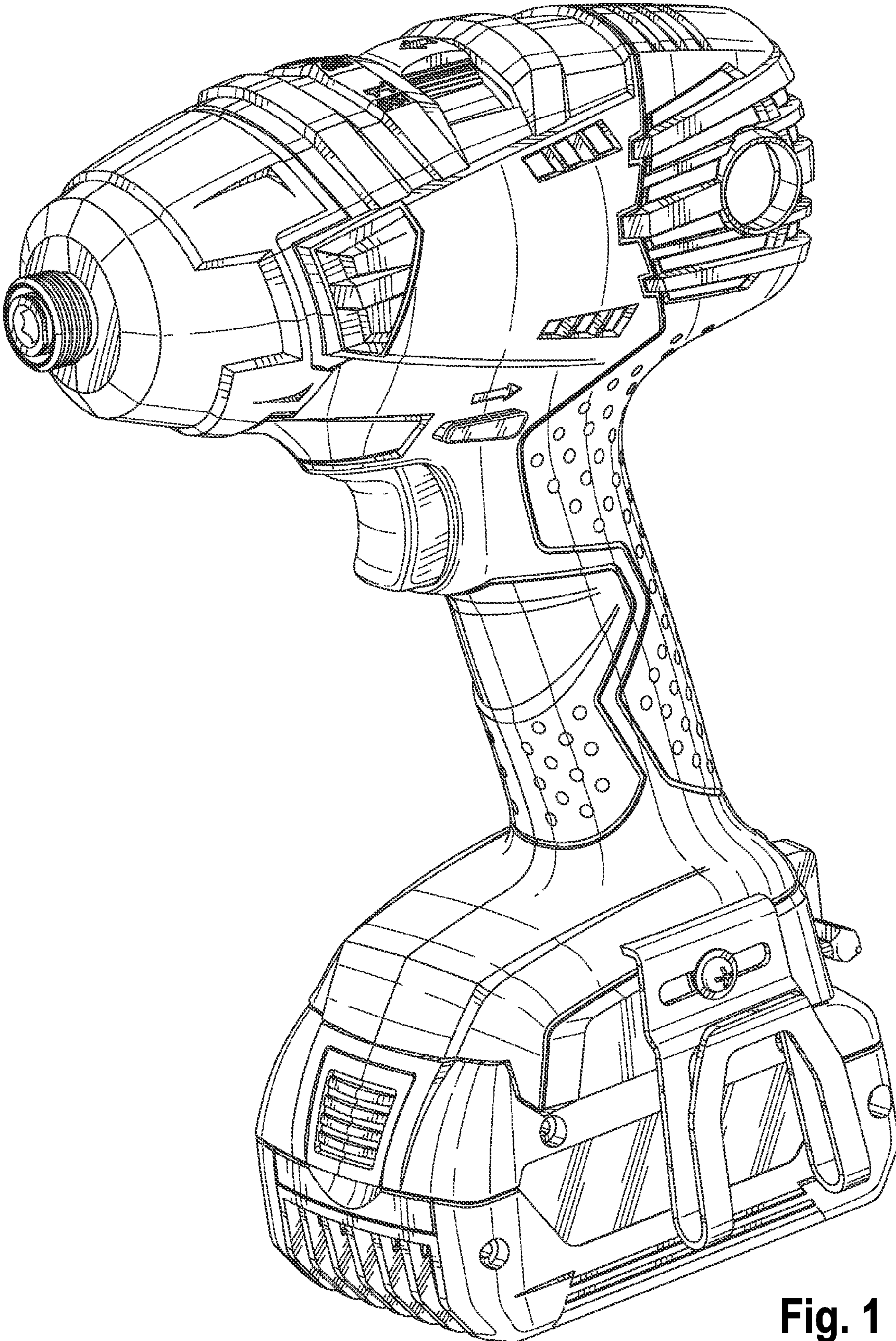


Fig. 1

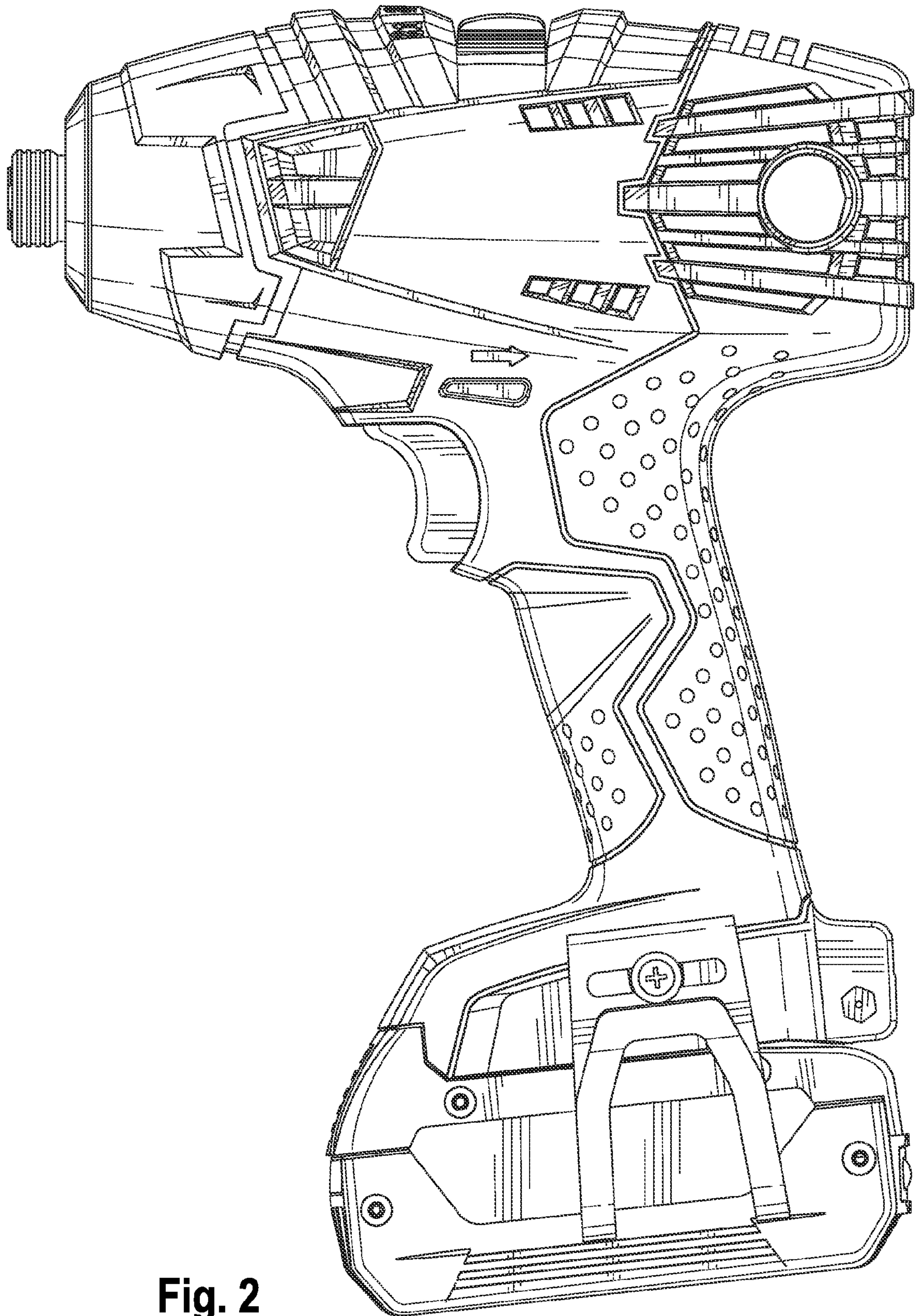


Fig. 2

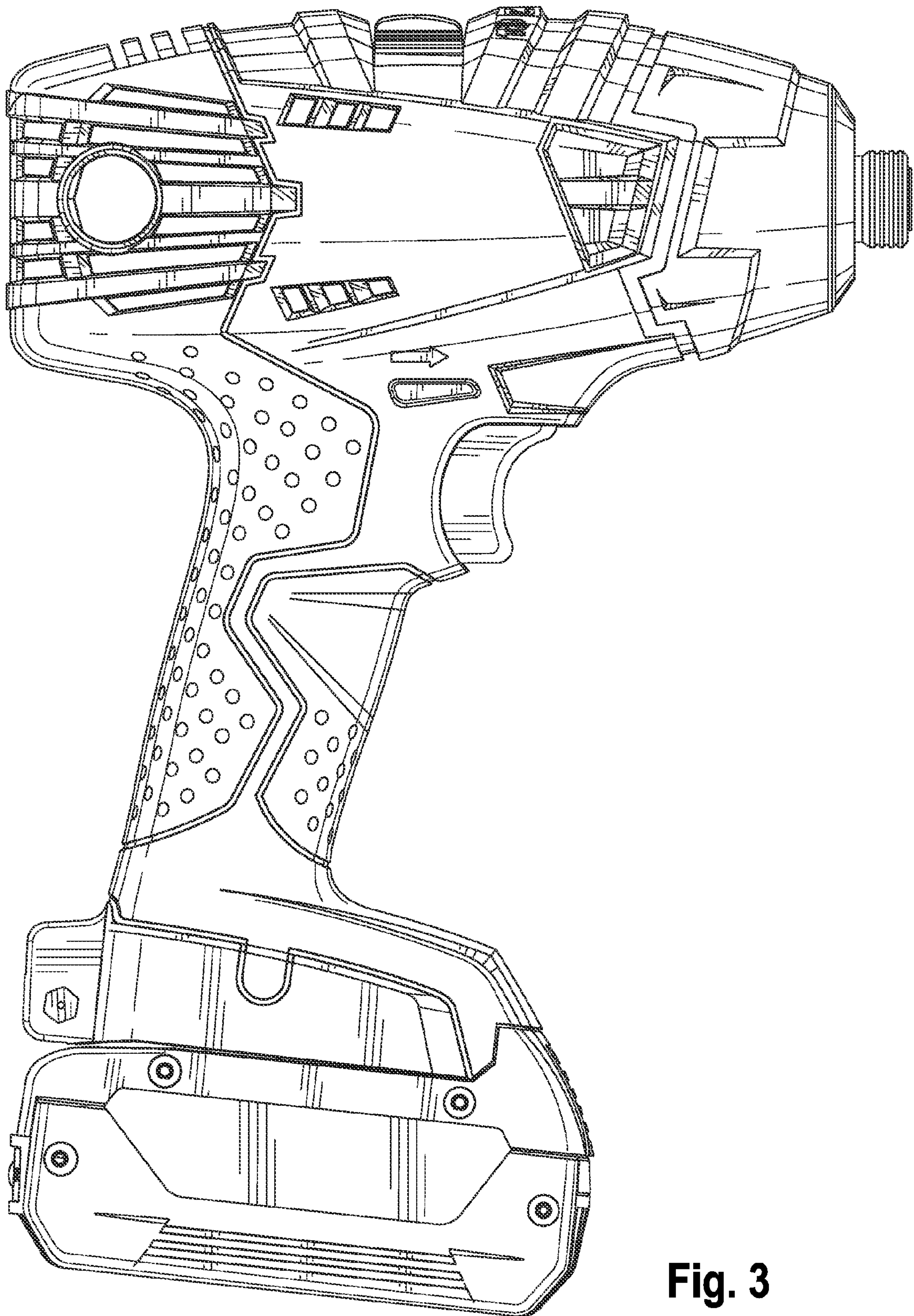


Fig. 3

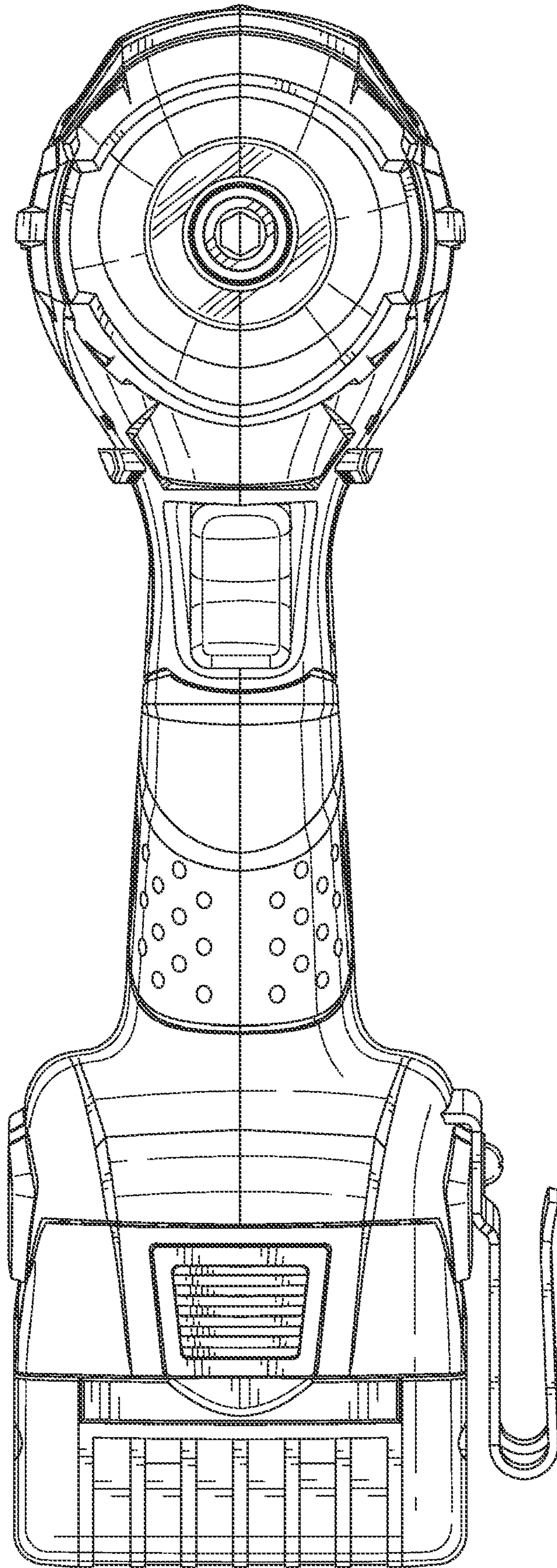


Fig. 4

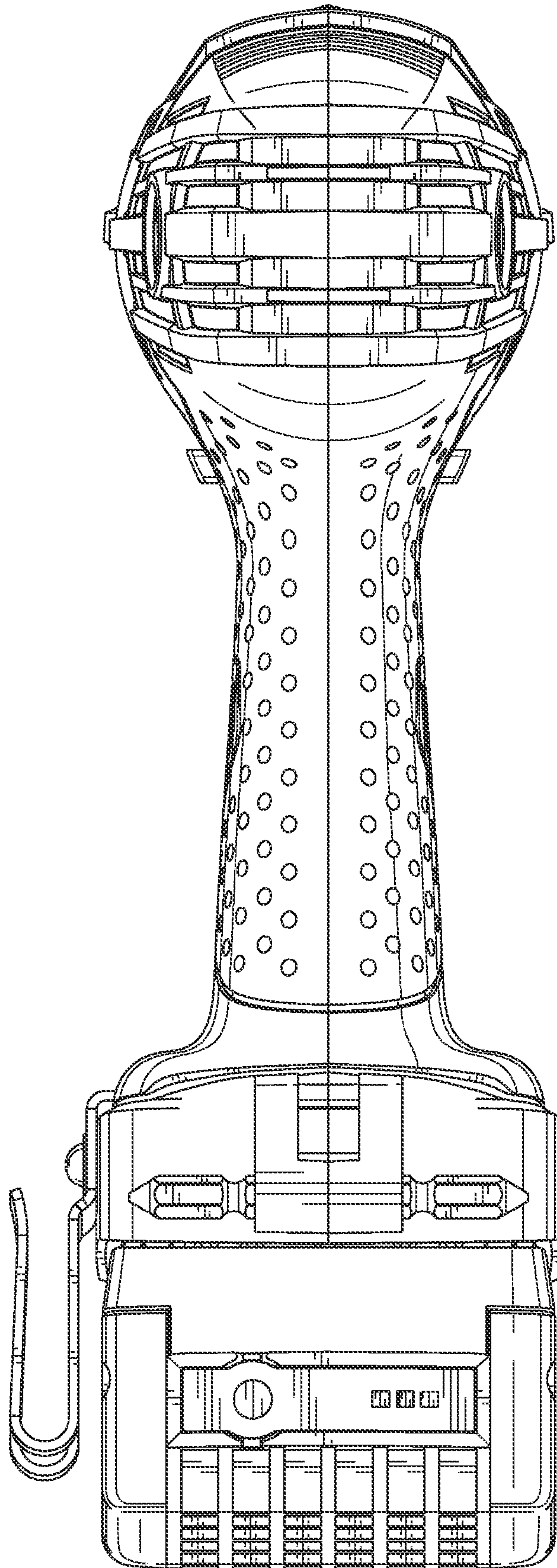


Fig. 5

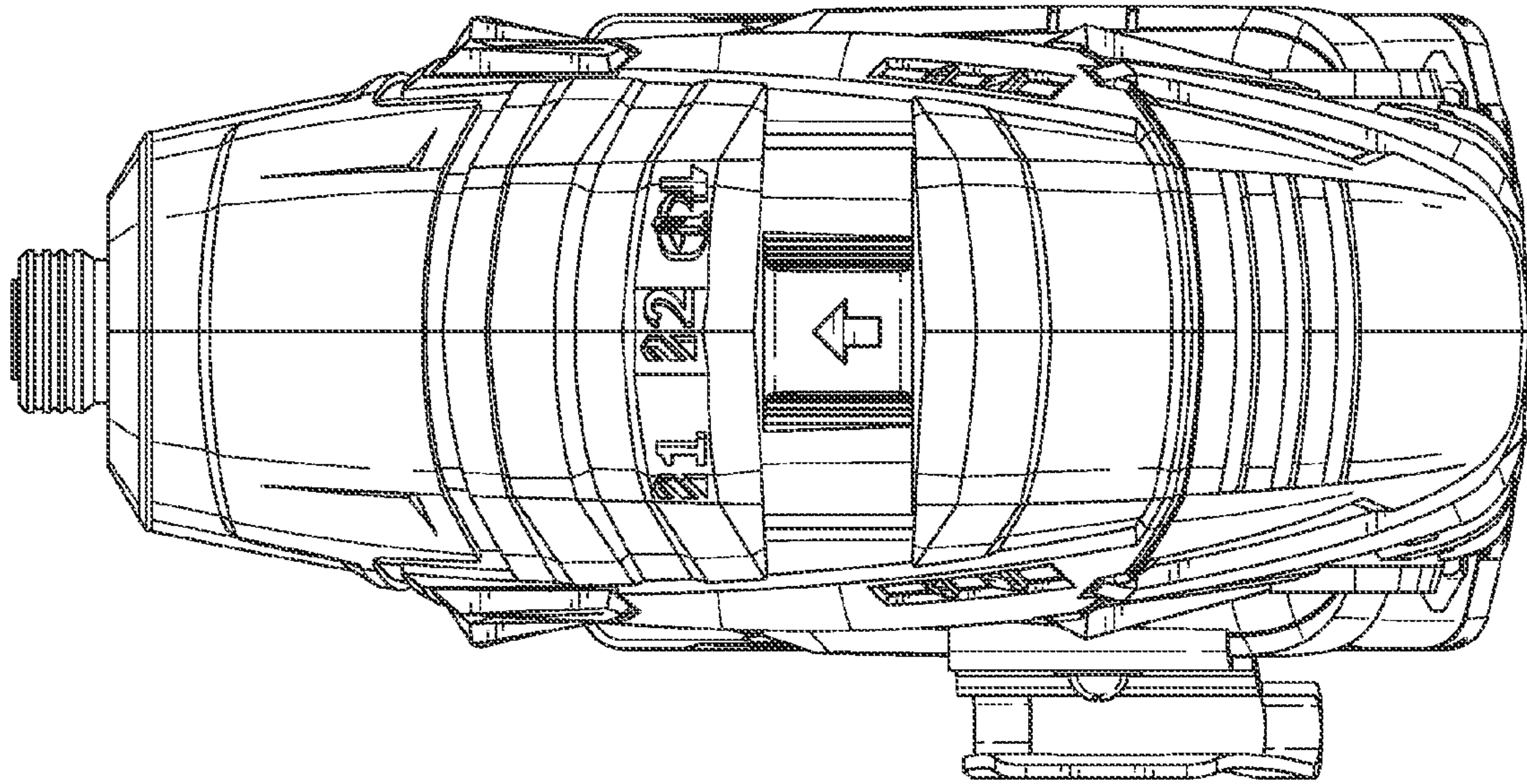


Fig. 6

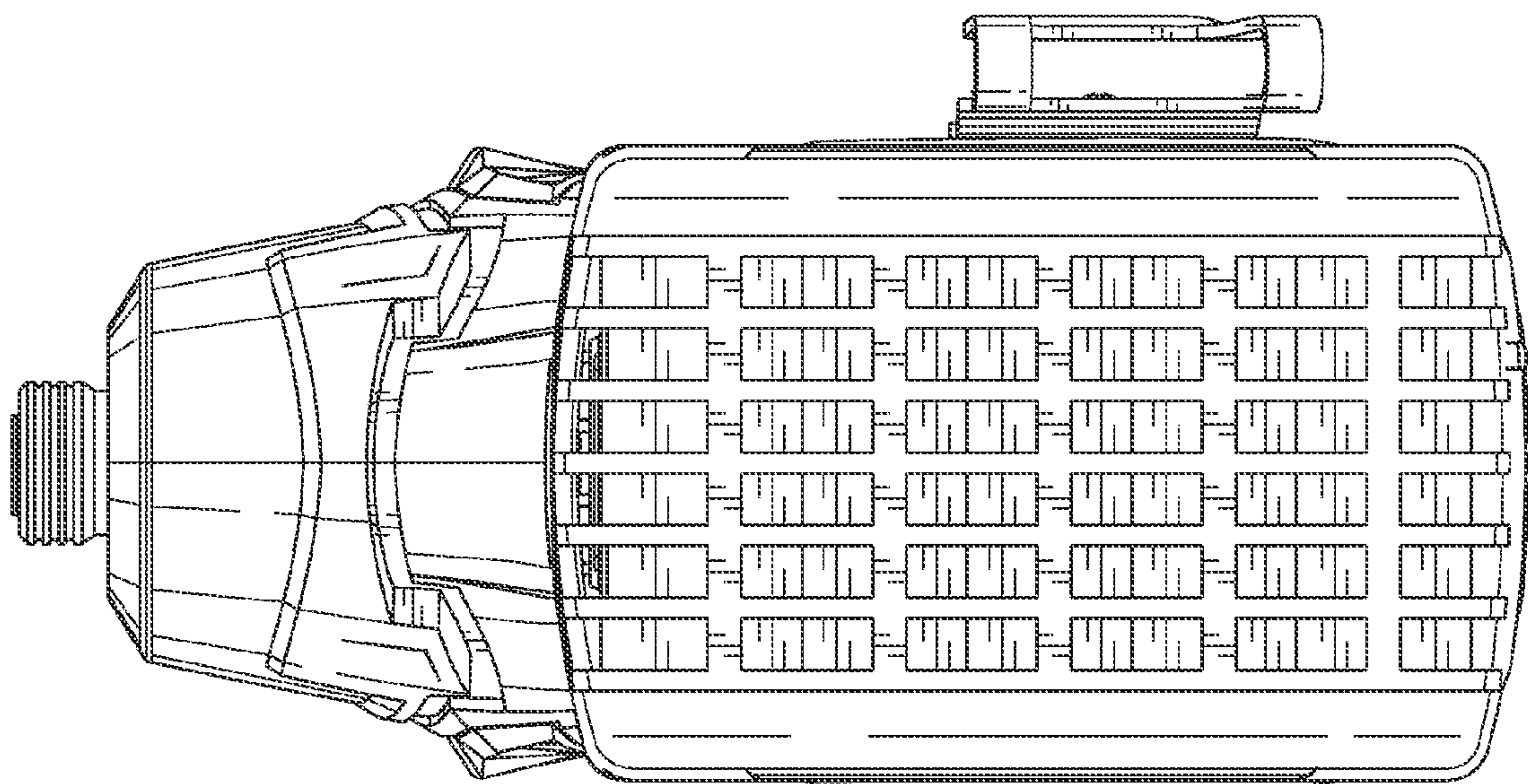


Fig. 7

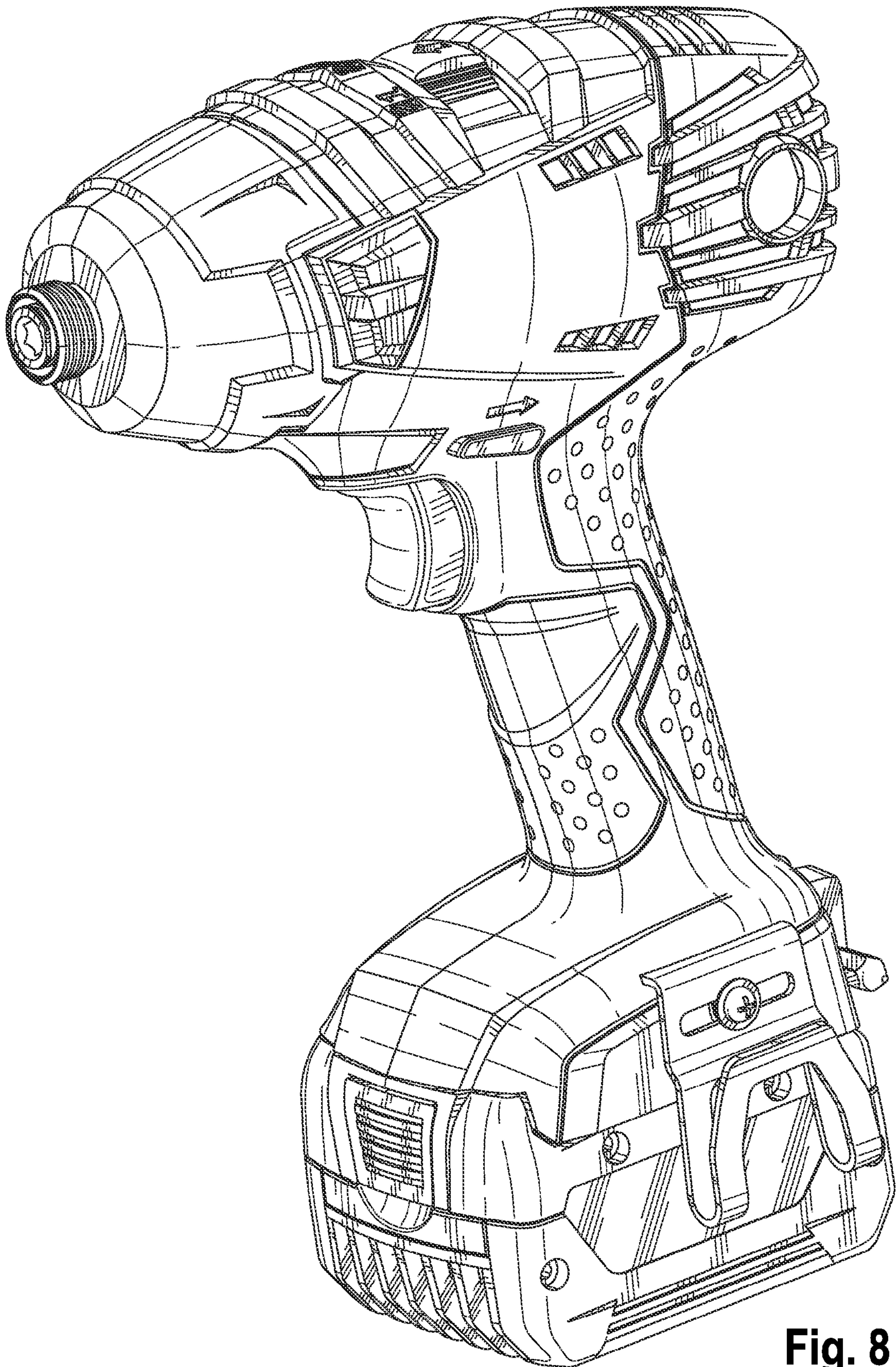


Fig. 8

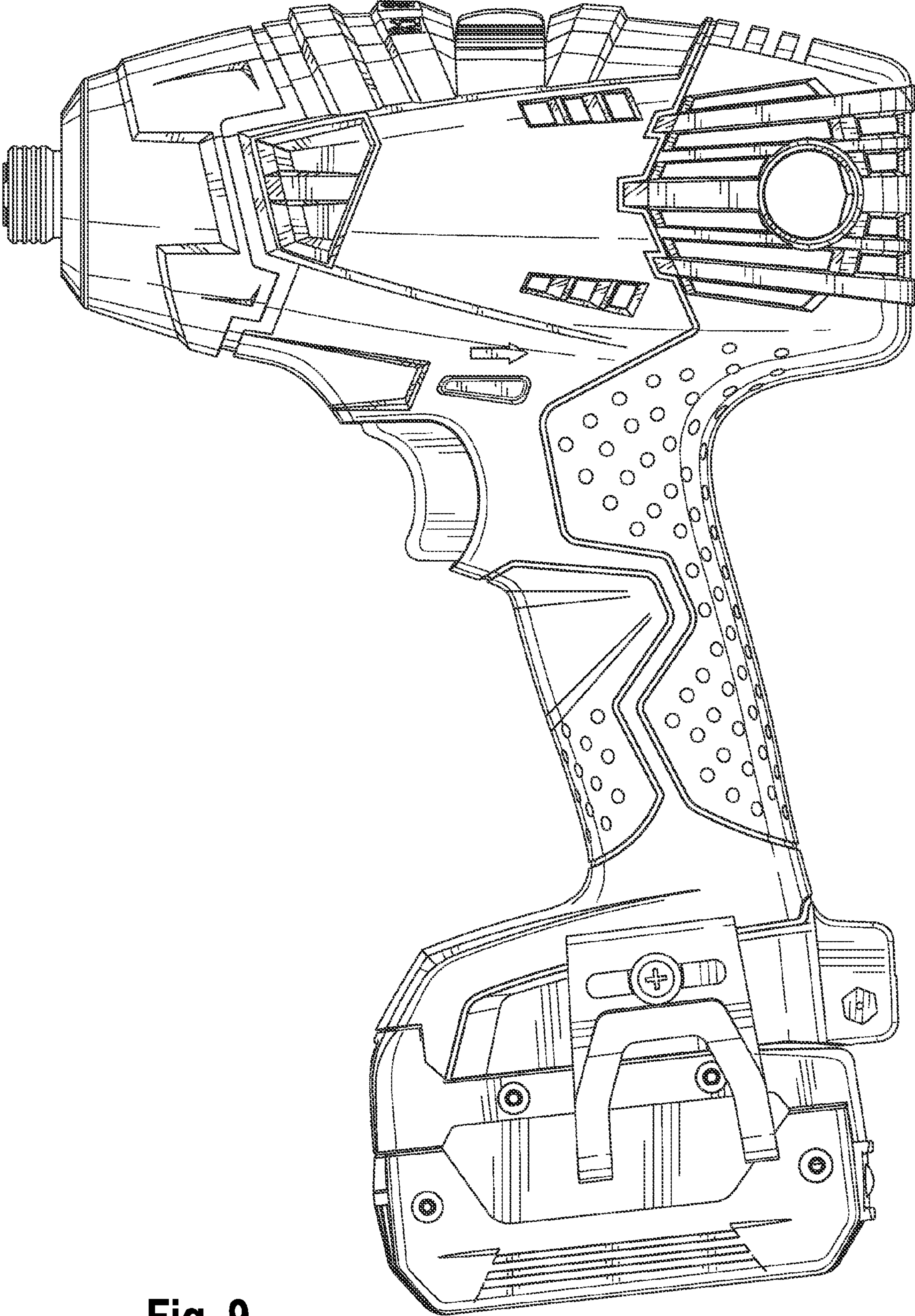


Fig. 9

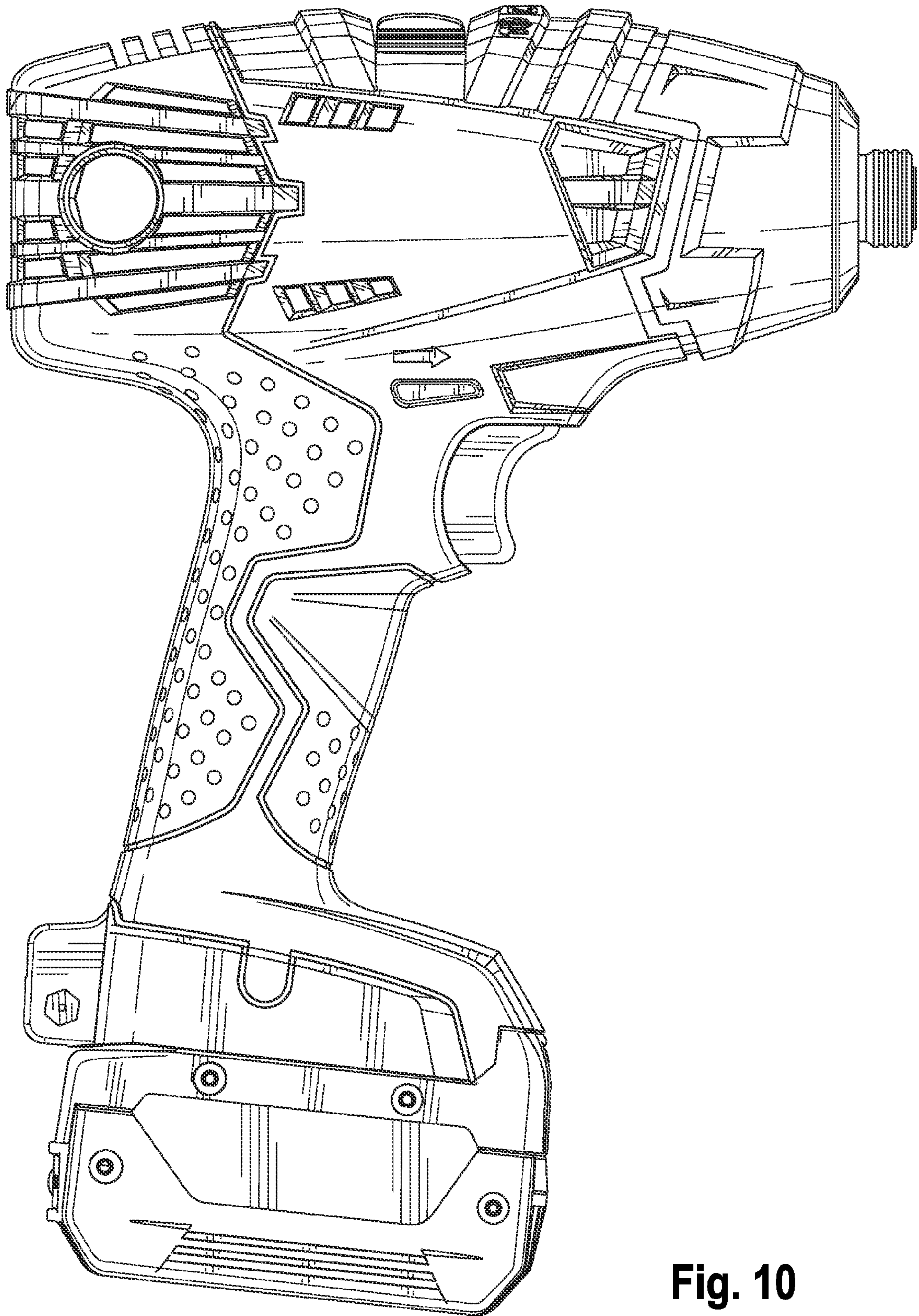


Fig. 10

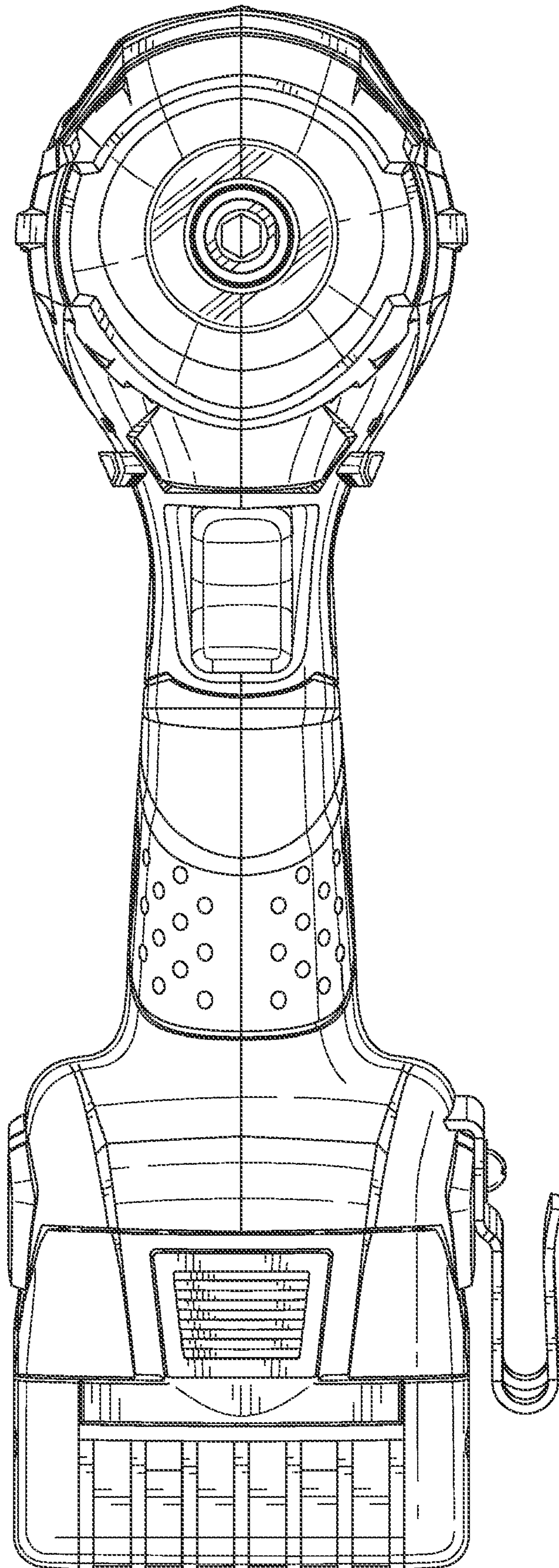


Fig. 11

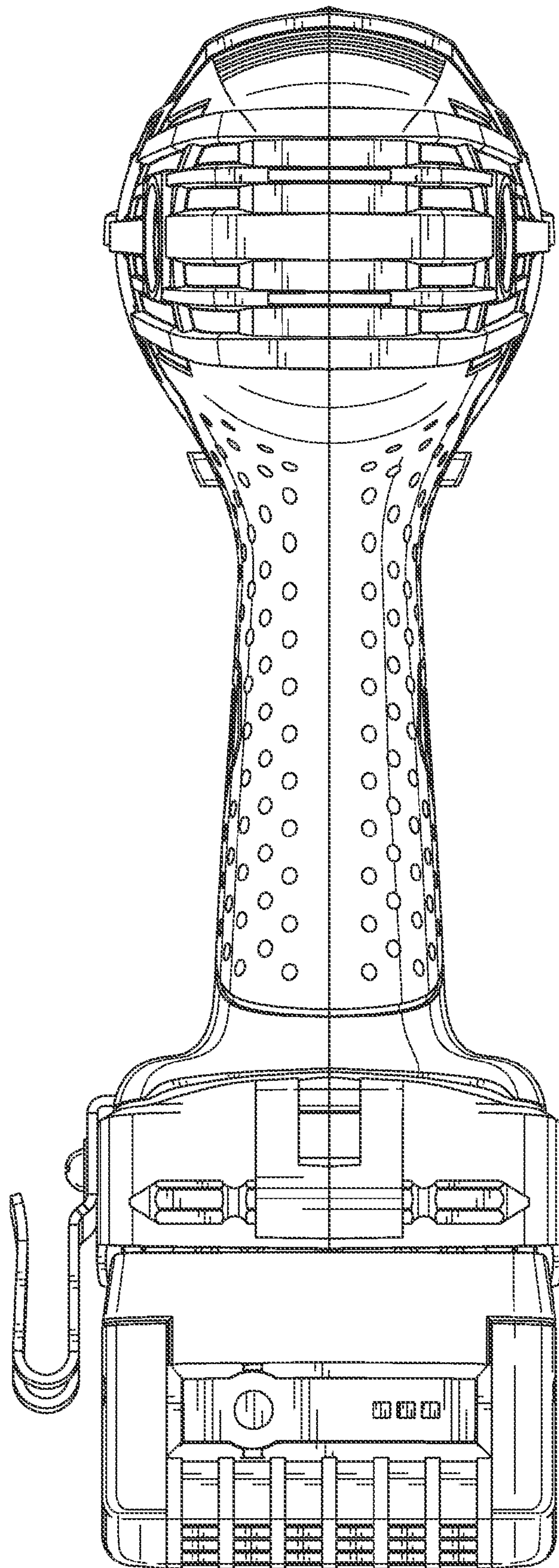


Fig. 12

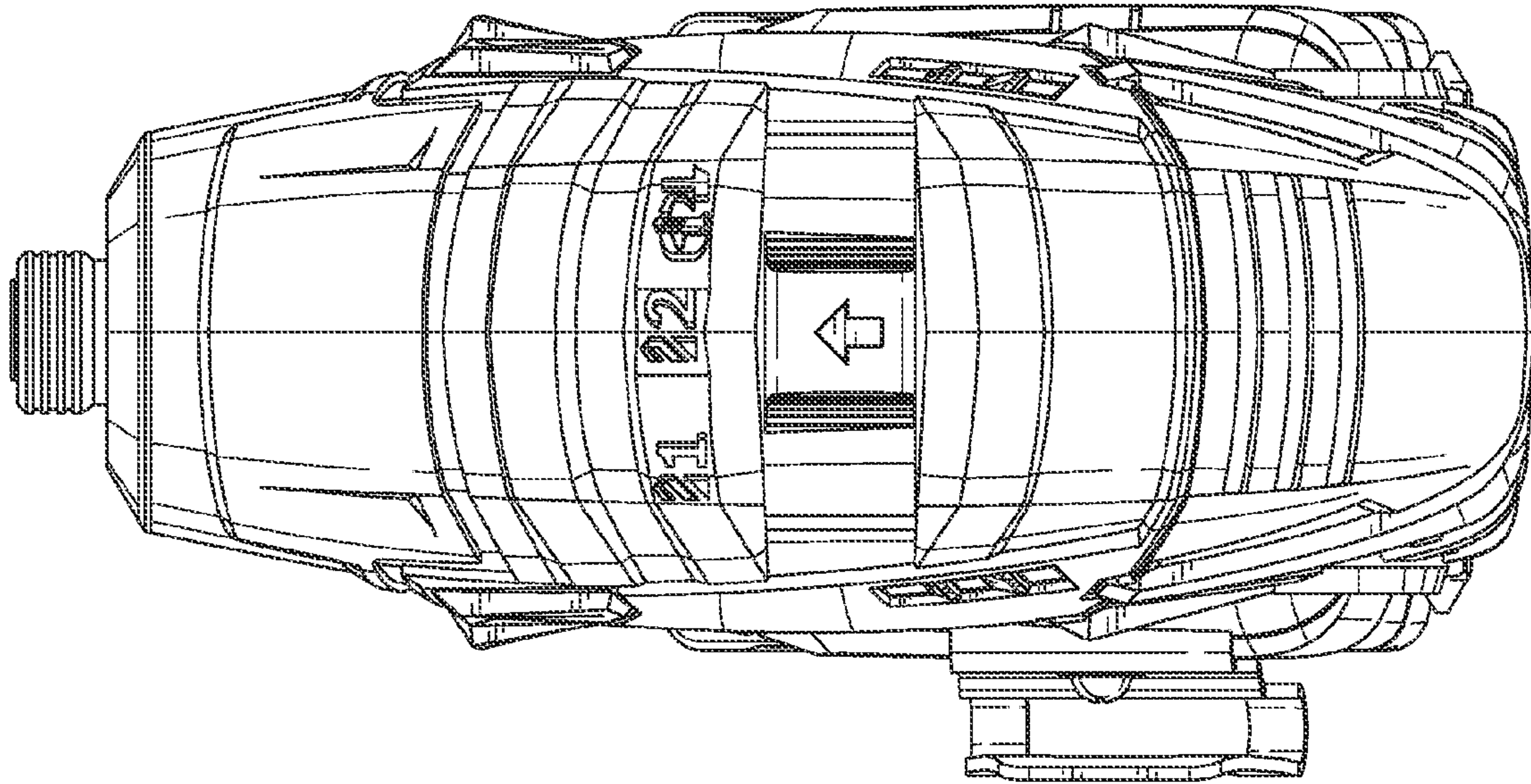


Fig. 13

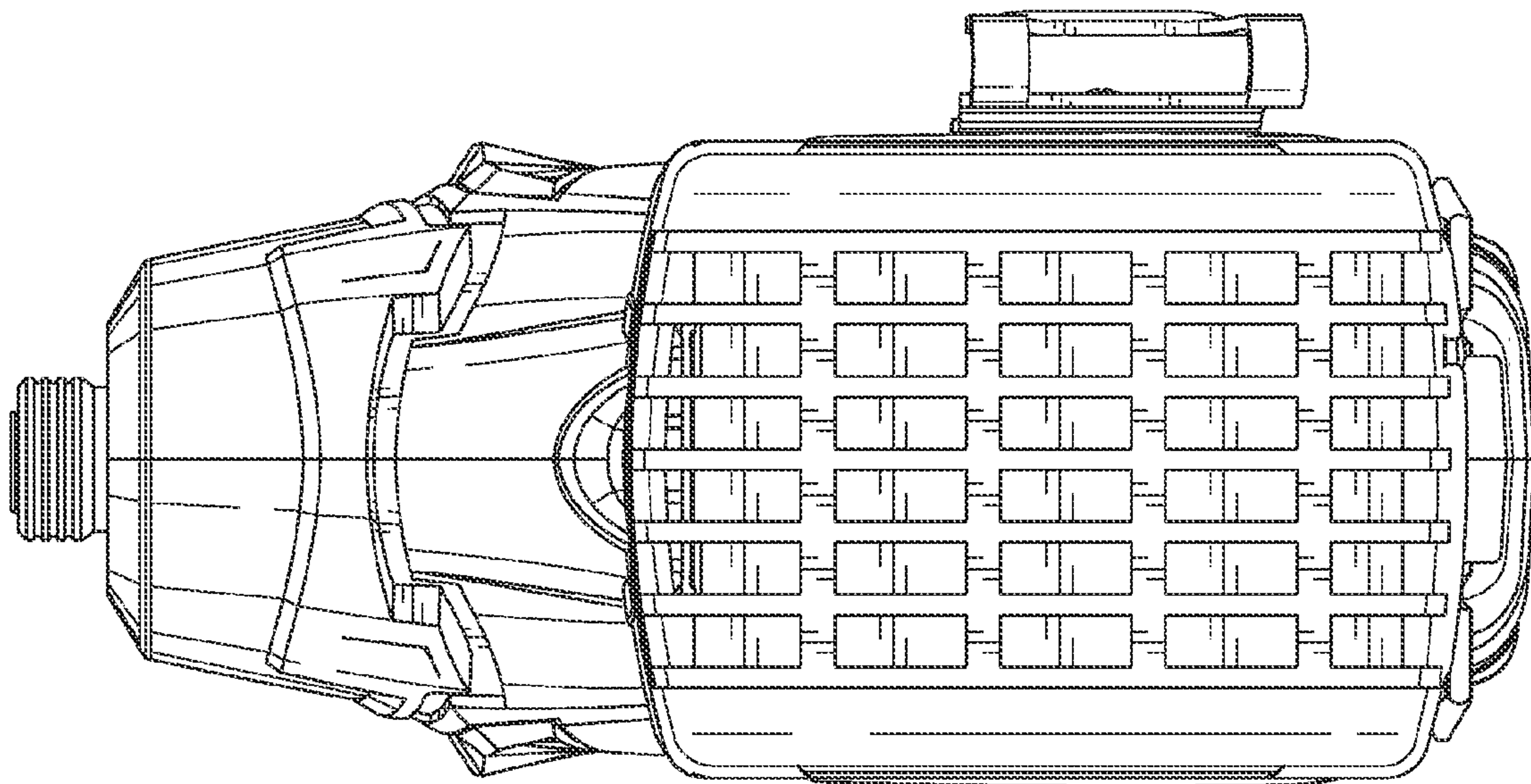


Fig. 14