



US00D614465S

(12) **United States Design Patent**  
**Porter**

(10) **Patent No.:** **US D614,465 S**

(45) **Date of Patent:** **\*\* Apr. 27, 2010**

(54) **CRIMPER FOR SMOOTH SQUARE  
CORNERED DOWNSPOUTS**

(76) Inventor: **William D. Porter**, 1868 Mill Hill Rd.,  
St. Clair, MO (US) 63077

(\*\*) Term: **14 Years**

(21) Appl. No.: **29/340,491**

(22) Filed: **Jul. 20, 2009**

(51) **LOC (9) Cl.** ..... **08-05**

(52) **U.S. Cl.** ..... **D8/52**

(58) **Field of Classification Search** ..... D8/4,  
D8/5, 14, 22, 23, 51-56, 58-60, 105-107;  
81/300, 302, 415-424, 424.5, 426, 426.5,  
81/427, 427.5; 72/409.01-409.09, 409.1,  
72/409.11-409.19

See application file for complete search history.

(56) **References Cited**

**U.S. PATENT DOCUMENTS**

3,889,858	A *	6/1975	Hack	.....	D8/14
4,673,174	A *	6/1987	Tabbert	.....	81/420
5,095,732	A *	3/1992	Bootka	.....	72/409.18
D346,316	S *	4/1994	Bergkvist et al.	.....	D8/52
5,483,746	A *	1/1996	Beyers	.....	30/229
D392,166	S *	3/1998	Yang	.....	D8/52
6,175,998	B1 *	1/2001	Leo	.....	81/420
6,240,764	B1 *	6/2001	Geurts	.....	72/409.01
D544,770	S *	6/2007	Yang	.....	D8/52

D581,231	S *	11/2008	Williams	.....	D8/52
2005/0061118	A1 *	3/2005	Heacock	.....	81/420
2009/0025451	A1 *	1/2009	Dodge	.....	72/409.01

\* cited by examiner

*Primary Examiner*—Cathron C Brooks

*Assistant Examiner*—Deanna Fluegeman

(74) *Attorney, Agent, or Firm*—Grace J. Fishel

(57) **CLAIM**

The ornamental design for a crimper for smooth square cornered downspouts, as shown and described.

**DESCRIPTION**

FIG. 1 is a perspective view of a crimper for smooth square cornered downspouts showing my new design;

FIG. 2 is a left side elevation thereof;

FIG. 3 is a front view thereof;

FIG. 4 is a bottom view thereof;

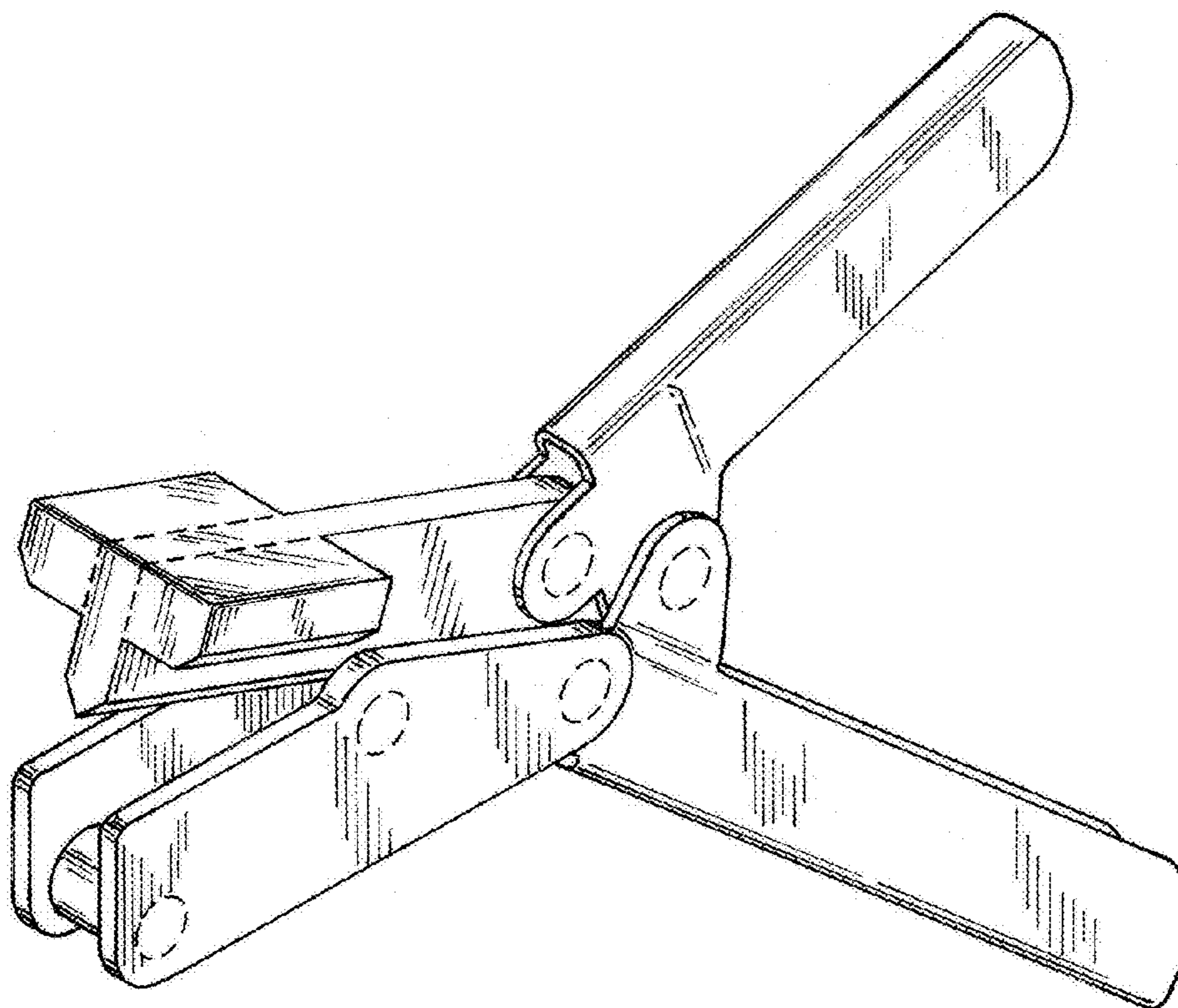
FIG. 5 is a top view thereof;

FIG. 6 is a right side elevation thereof; and,

FIG. 7 is a rear view thereof.

The broken lines in the figures are included for the purpose of illustrating unclaimed portions of the crimper for smooth square cornered downspouts and form no part of the claimed design.

**1 Claim, 3 Drawing Sheets**



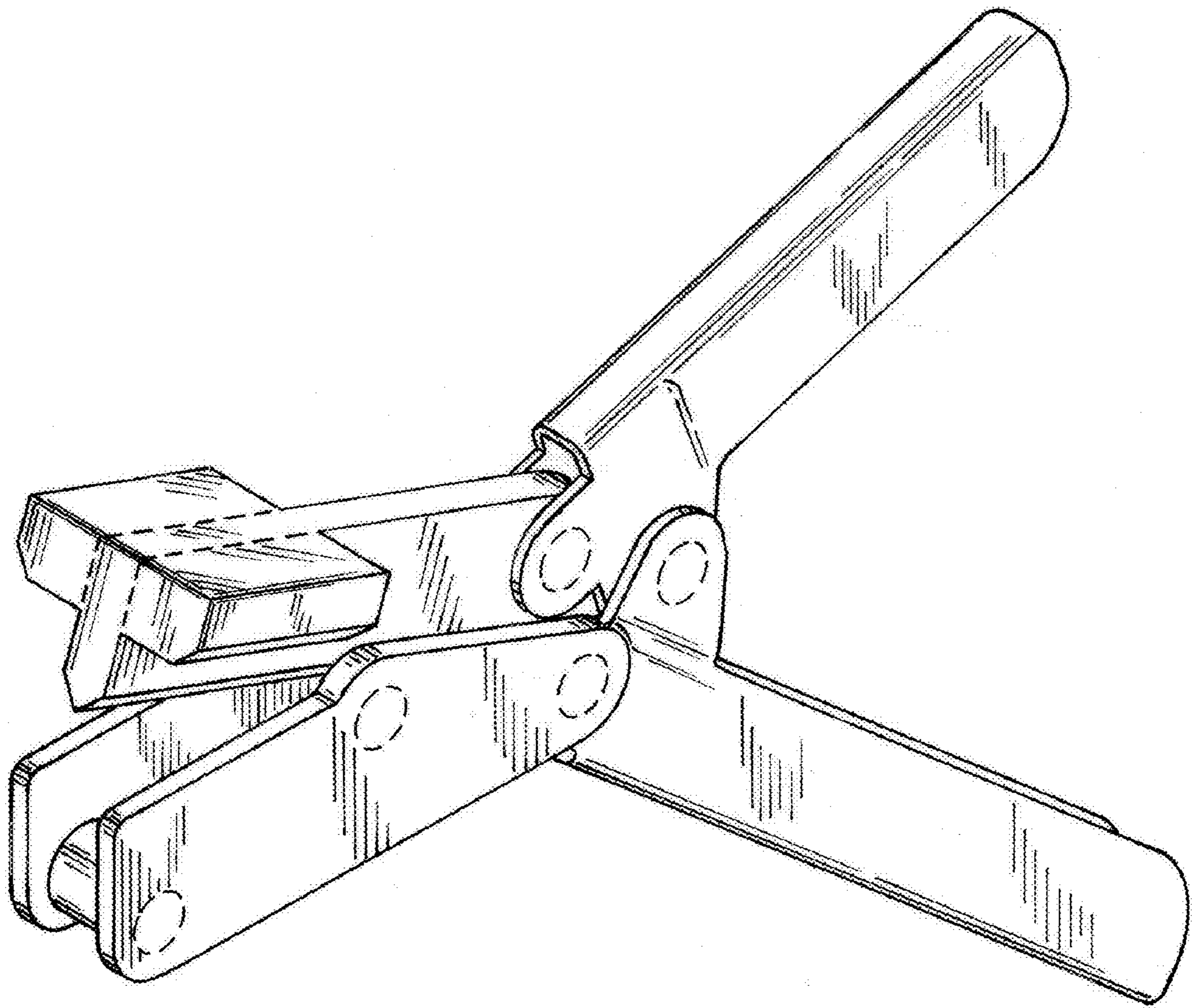


Fig. 1

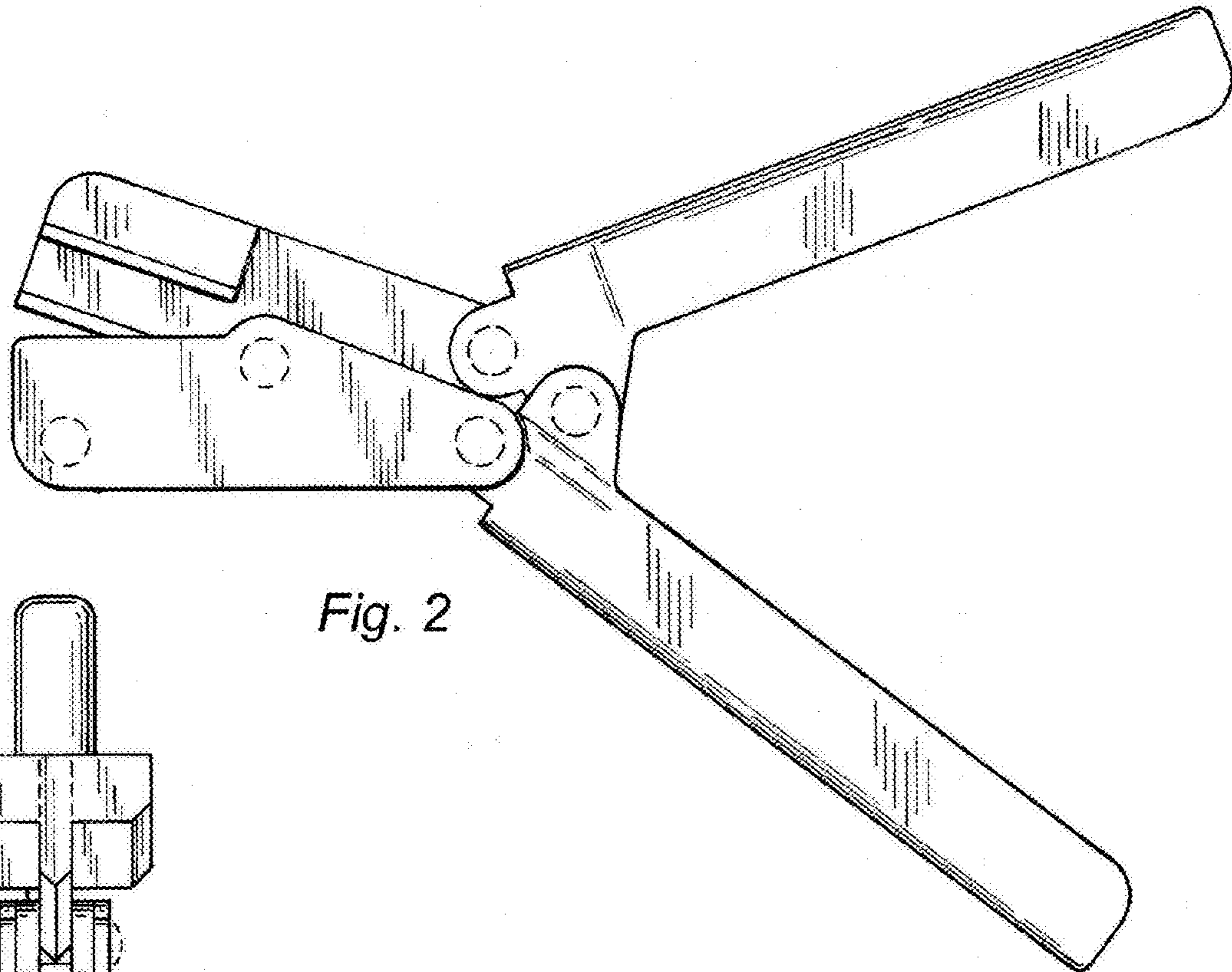


Fig. 2

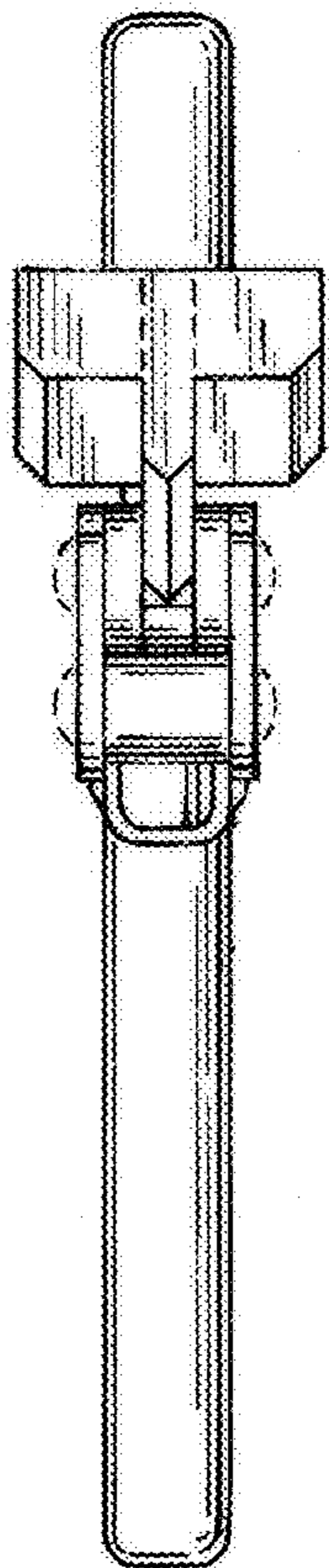


Fig. 3

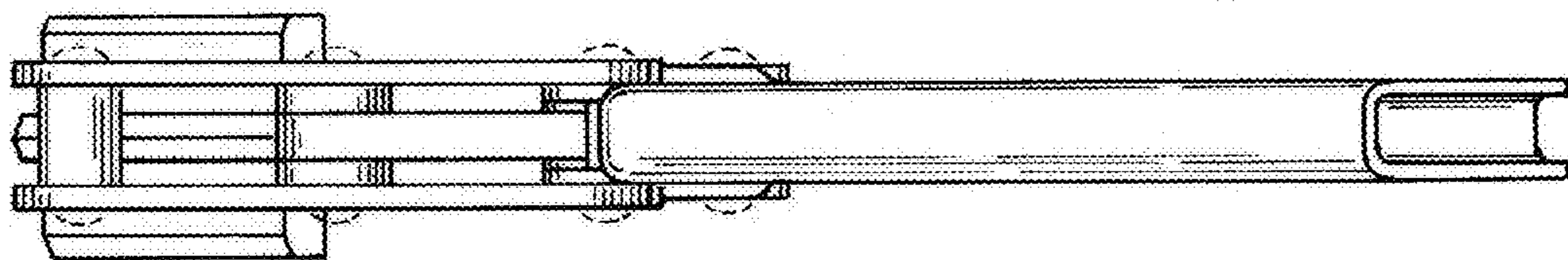


Fig. 4

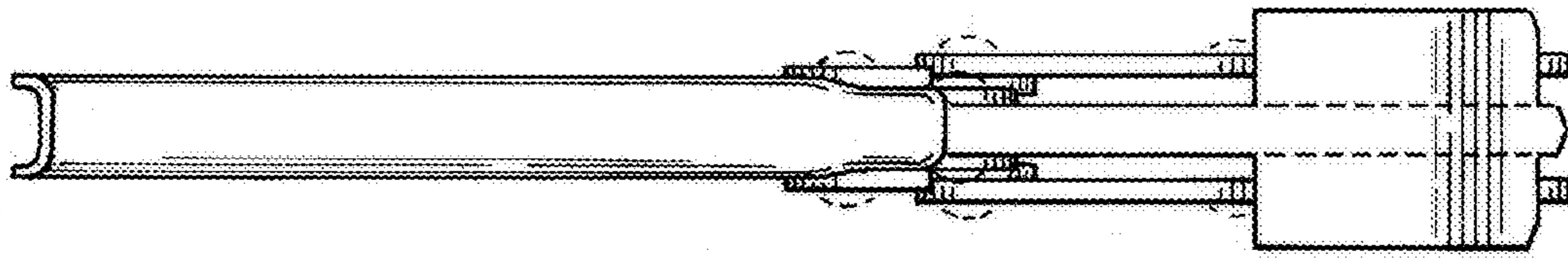


Fig. 5

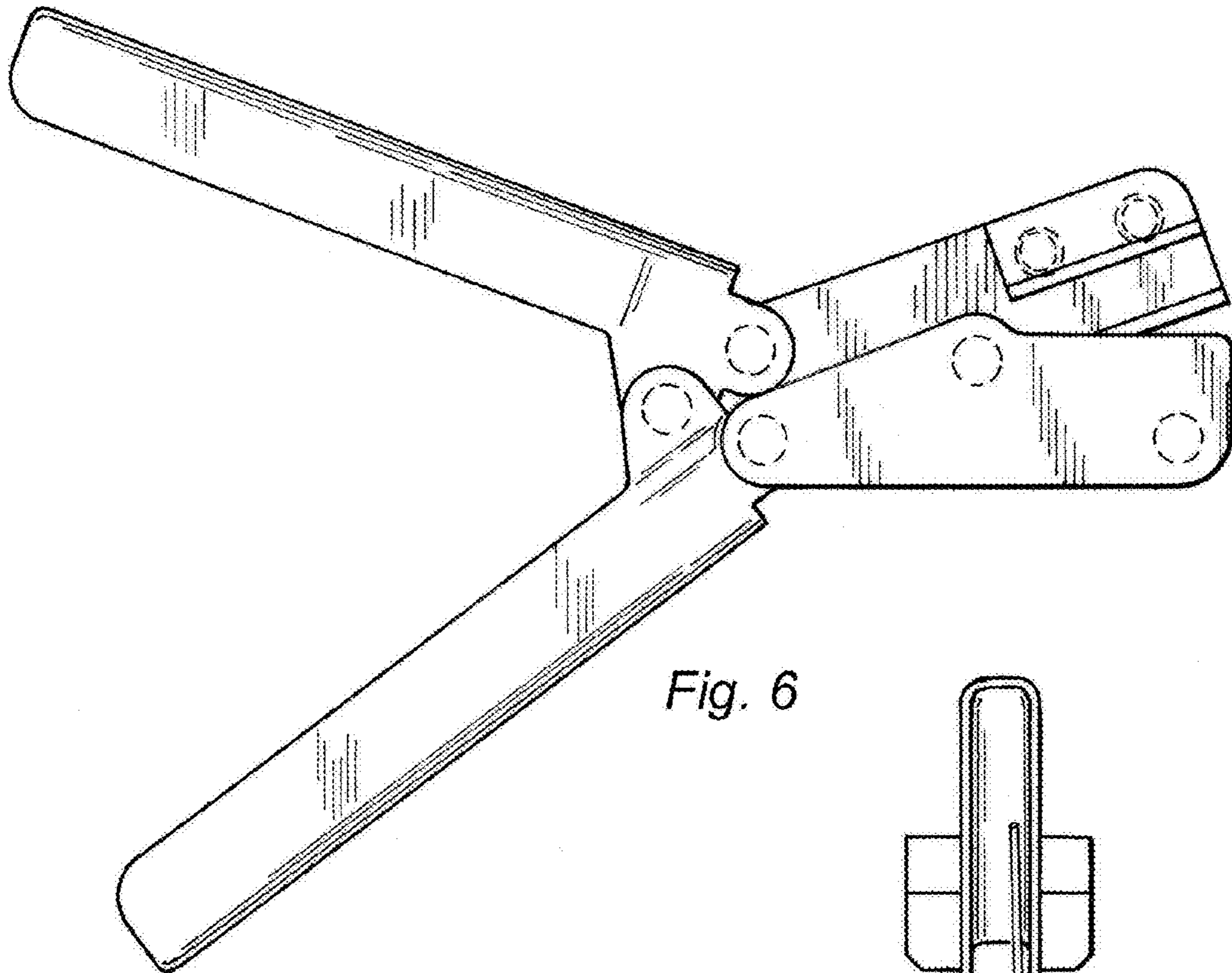


Fig. 6

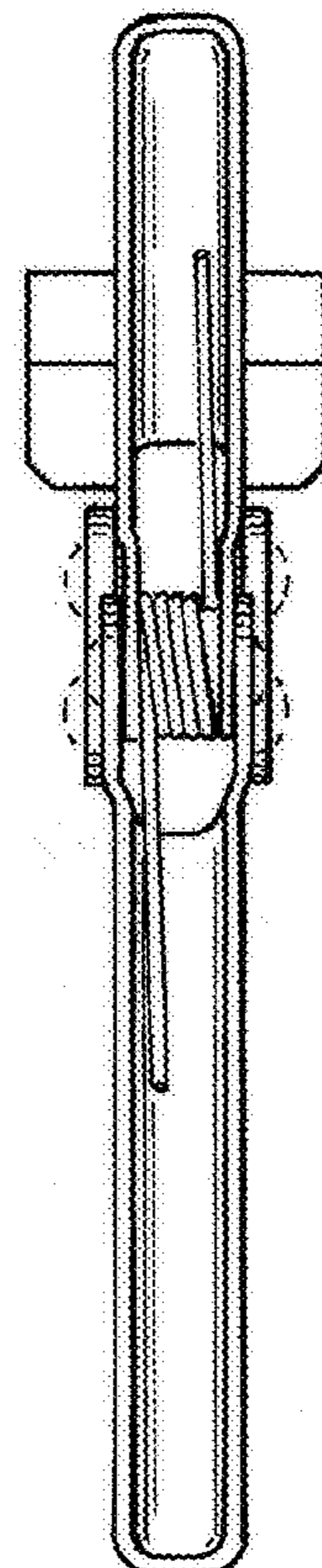


Fig. 7