



US00D614463S

(12) **United States Design Patent**  
**Robinson**

(10) **Patent No.:** **US D614,463 S**

(45) **Date of Patent:** **\*\* \*Apr. 27, 2010**

(54) **WRENCH HEAD**

(75) Inventor: **Glenn Robinson**, Coral Springs, FL  
(US)

(73) Assignee: **IBT Holdings, LLC**, Deerfield Beach,  
FL (US)

(\* ) Notice: This patent is subject to a terminal dis-  
claimer.

(\*\*) Term: **14 Years**

(21) Appl. No.: **29/317,995**

(22) Filed: **May 12, 2008**

(51) **LOC (9) Cl.** ..... **08-05**

(52) **U.S. Cl.** ..... **D8/22**

(58) **Field of Classification Search** ..... D8/21-30;  
81/60, 177.1, 177.85, 121.1, 124.3, 165-170,  
81/110.1, 176.2, 124.6, 176.1, 176.15, 177.2;  
16/110.1; D15/144.1; 219/75.27, 229, 121.16,  
219/121.18

See application file for complete search history.

(56) **References Cited**

**U.S. PATENT DOCUMENTS**

4,535,659	A *	8/1985	Yang	81/478
5,331,869	A *	7/1994	Webb	81/177.1
5,492,040	A *	2/1996	Bellas	81/125.1
6,186,034	B1 *	2/2001	Lamons	81/177.9
D444,044	S *	6/2001	Chen	D8/21
D445,656	S *	7/2001	Ranieri et al.	D8/22
6,354,176	B1 *	3/2002	Nordlin	81/124.4
7,017,455	B2 *	3/2006	Hsien	81/177.1

7,204,175 B2 \* 4/2007 Hsieh ..... 81/177.2  
2003/0154829 A1 \* 8/2003 Lin Wu ..... 81/177.1

\* cited by examiner

*Primary Examiner*—Raphael Barkai

*Assistant Examiner*—Randall H Gholson

(74) *Attorney, Agent, or Firm*—Steven M. Greenberg, Esq.;  
Scott D. Paul, Esq.; Carey Rodriguez Greenberg & Paul LLP

(57) **CLAIM**

The ornamental design for a wrench head, as shown and  
described.

**DESCRIPTION**

This application claims the priority of U.S. application Ser.  
No. 11/936,660, entitled “Adjustable wrench with removable  
rotatable head,” filed on Nov. 7, 2007, which is incorporated  
herein by reference in its entirety.

FIG. 1 is a front, left, top perspective of a wrench head  
according to my new design.

FIG. 2 is a front, left, bottom perspective of the wrench head  
thereof.

FIG. 3 is a front view of the wrench head thereof.

FIG. 4 is a rear view of the wrench head thereof.

FIG. 5 is a left-side view of the wrench head thereof.

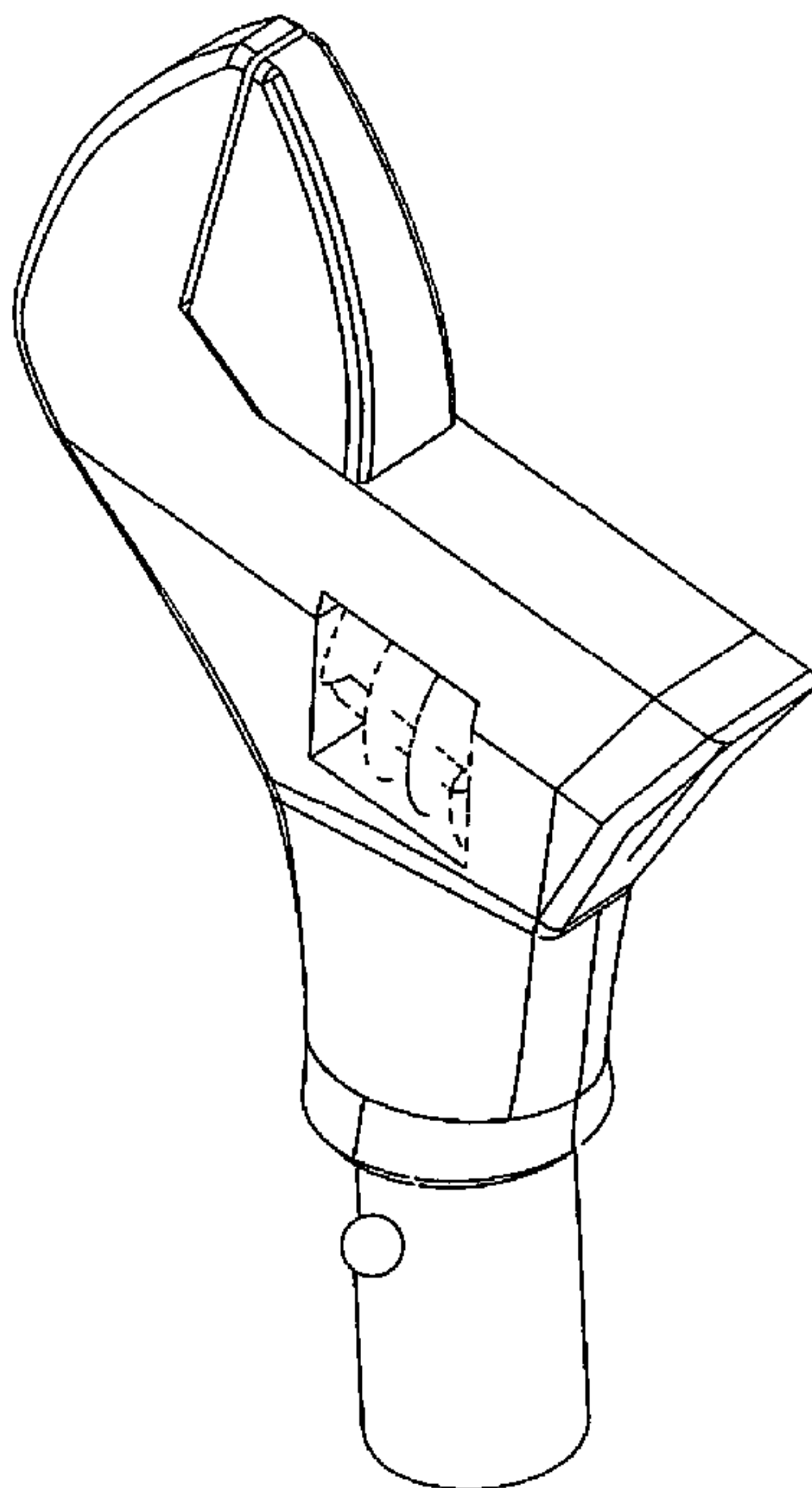
FIG. 6 is a right-side view of the wrench head thereof.

FIG. 7 is a top view of the wrench head thereof; and,

FIG. 8 is a bottom view of the wrench head thereof.

The broken lines are for illustrative purposes only and form  
no part of the claimed design.

**1 Claim, 4 Drawing Sheets**



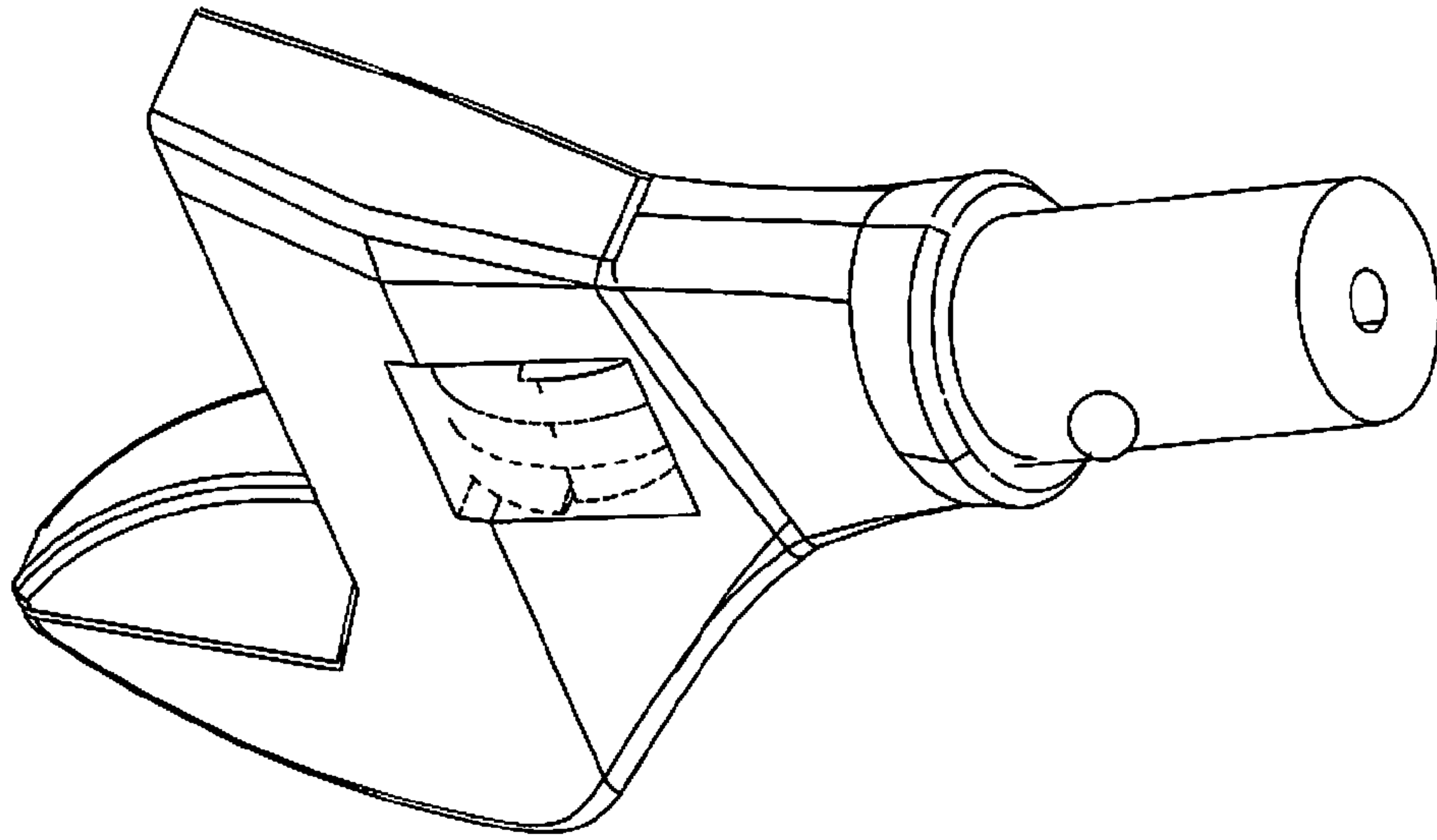


Fig 2

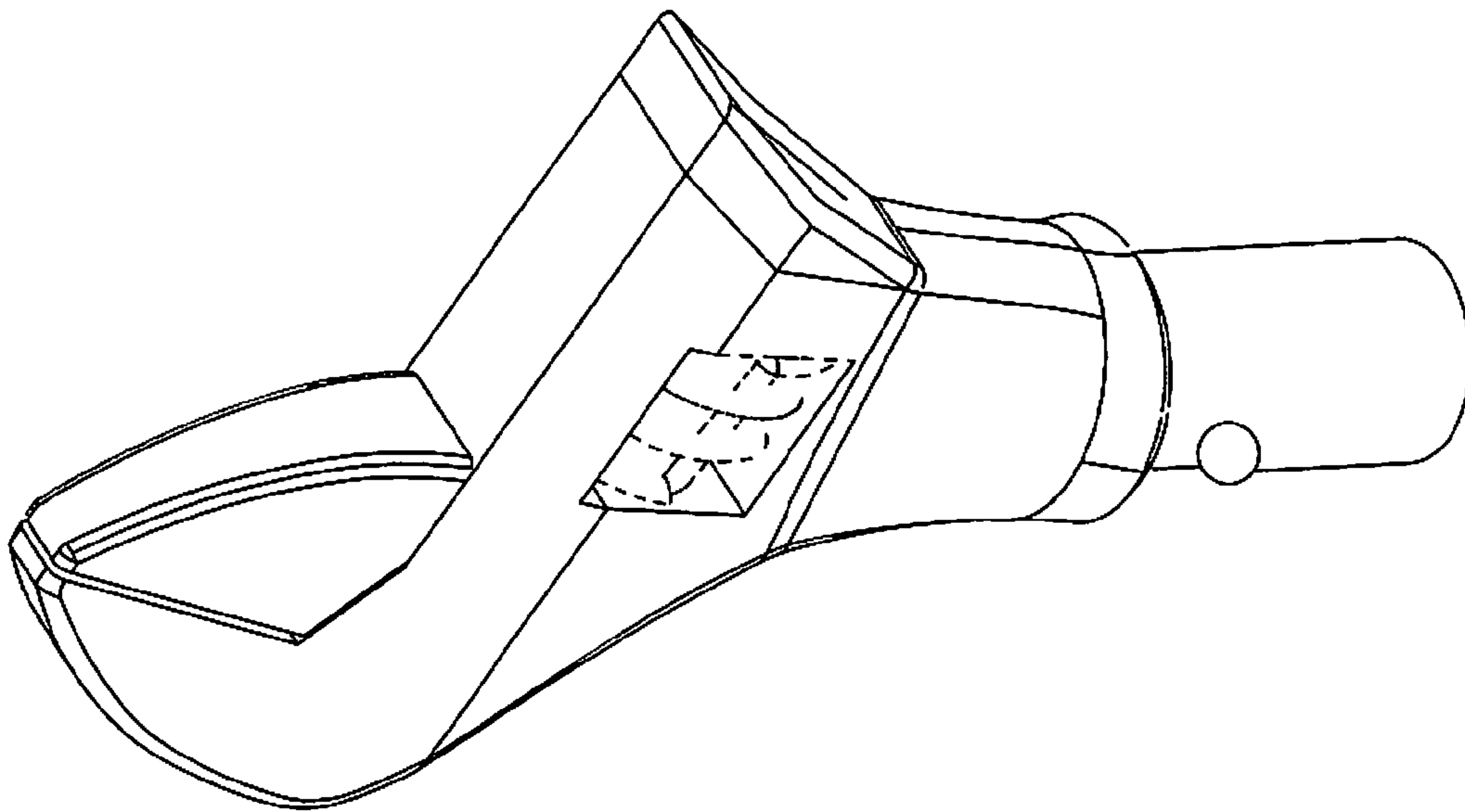


Fig 1

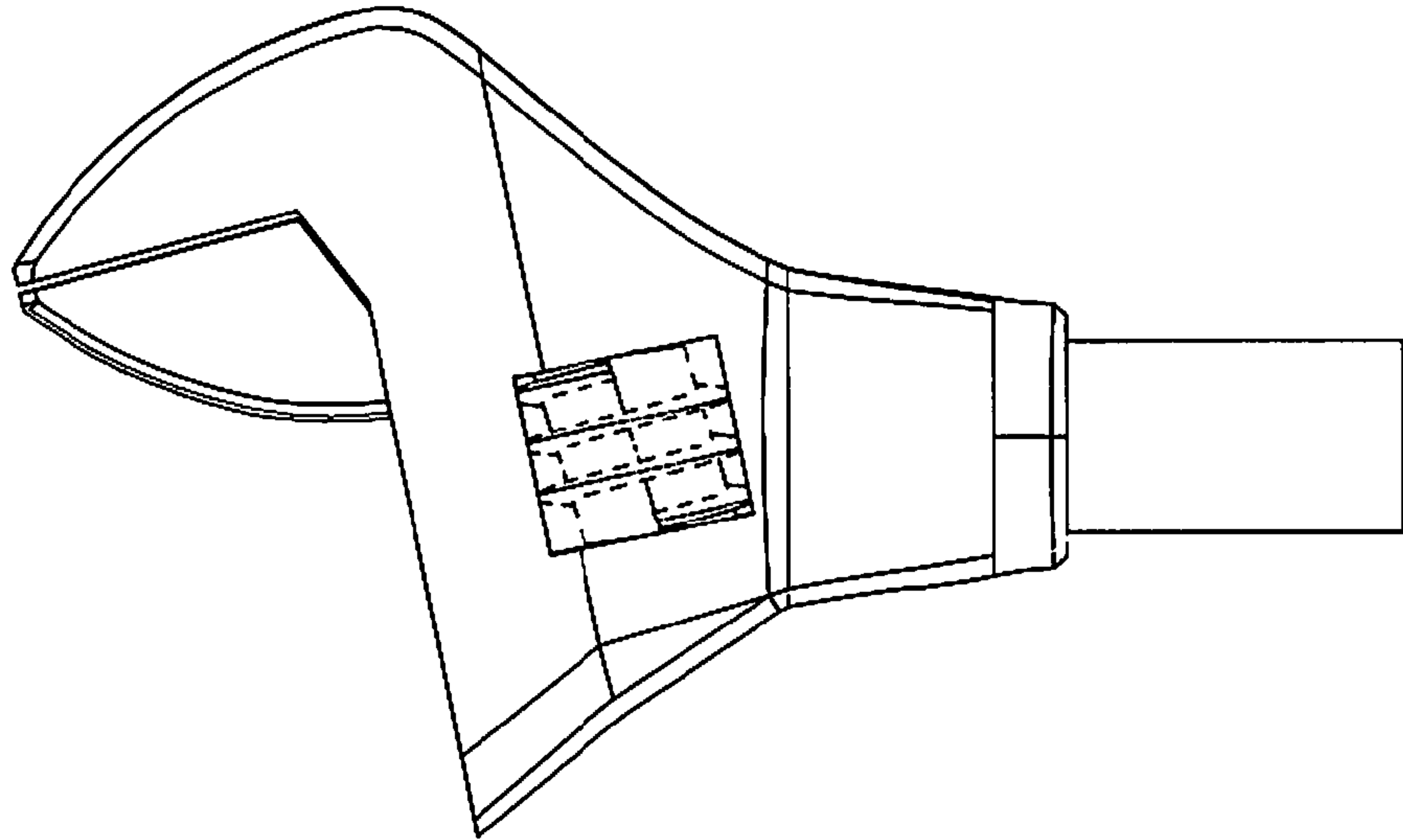


Fig 4

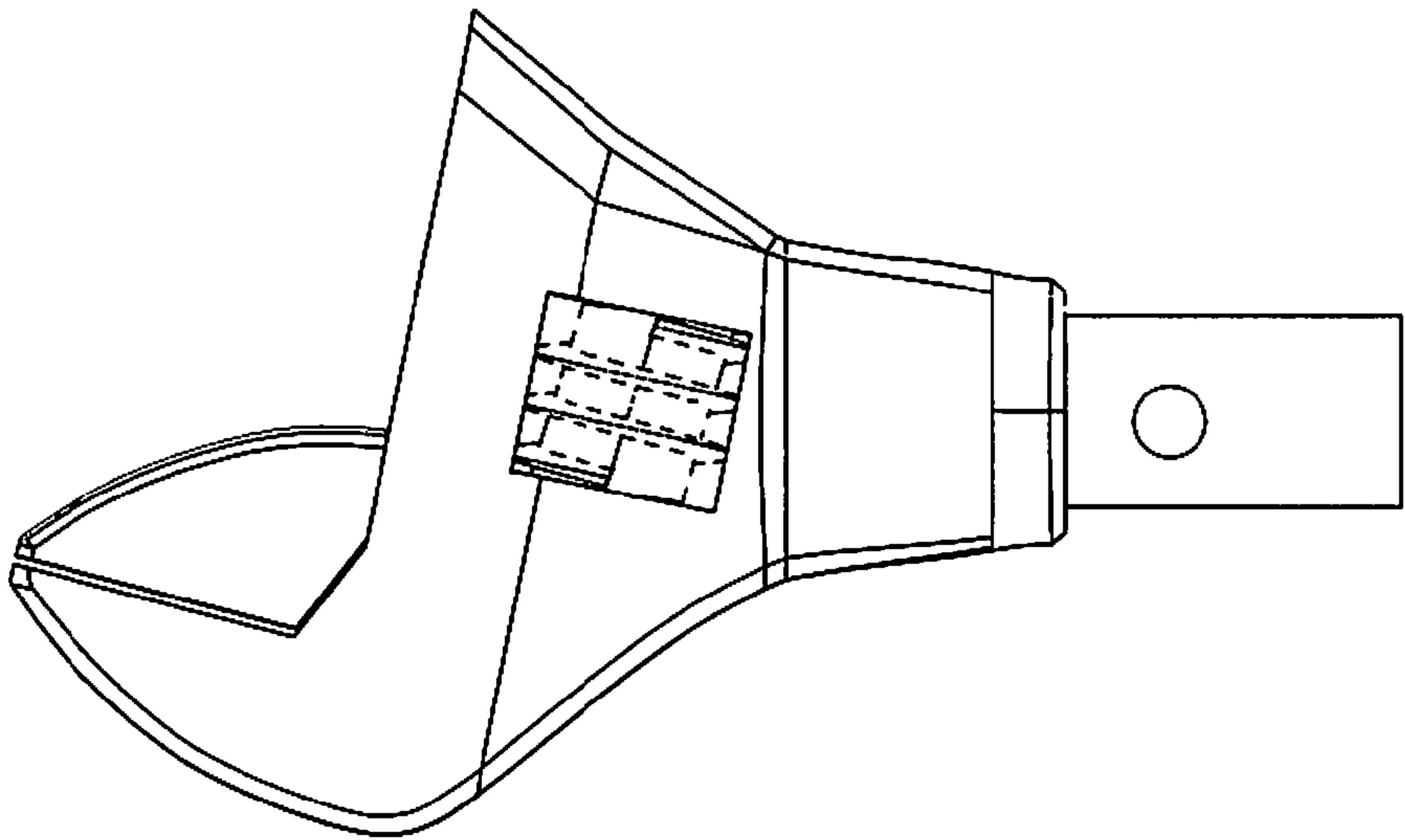


Fig 3

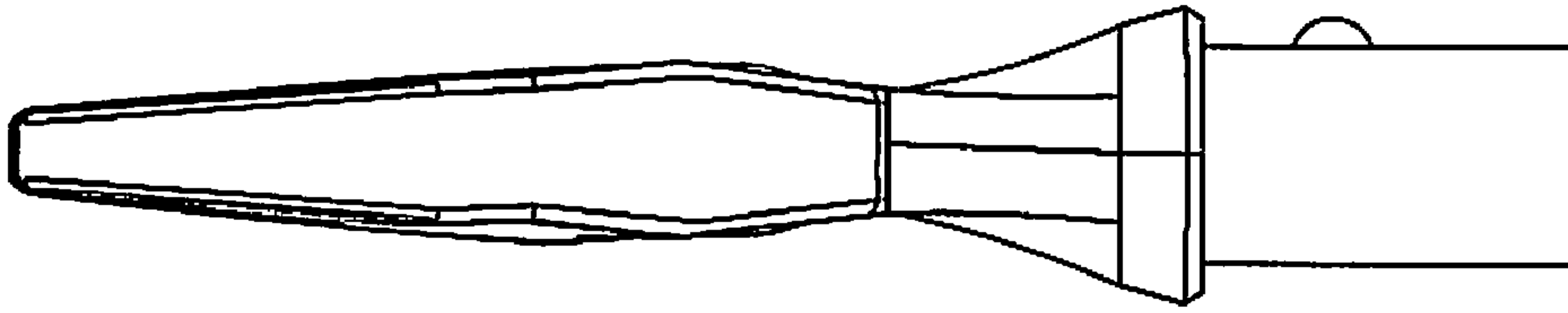


Fig 6

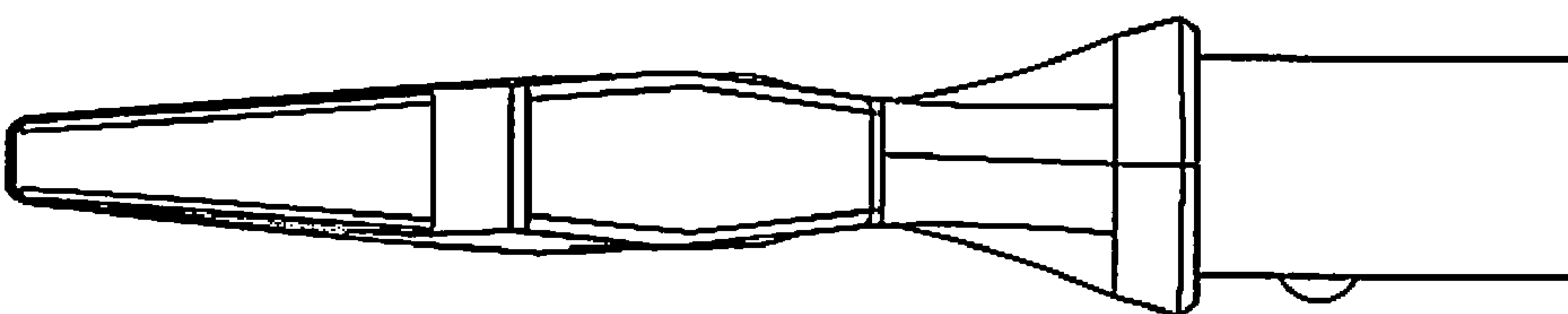


Fig 5

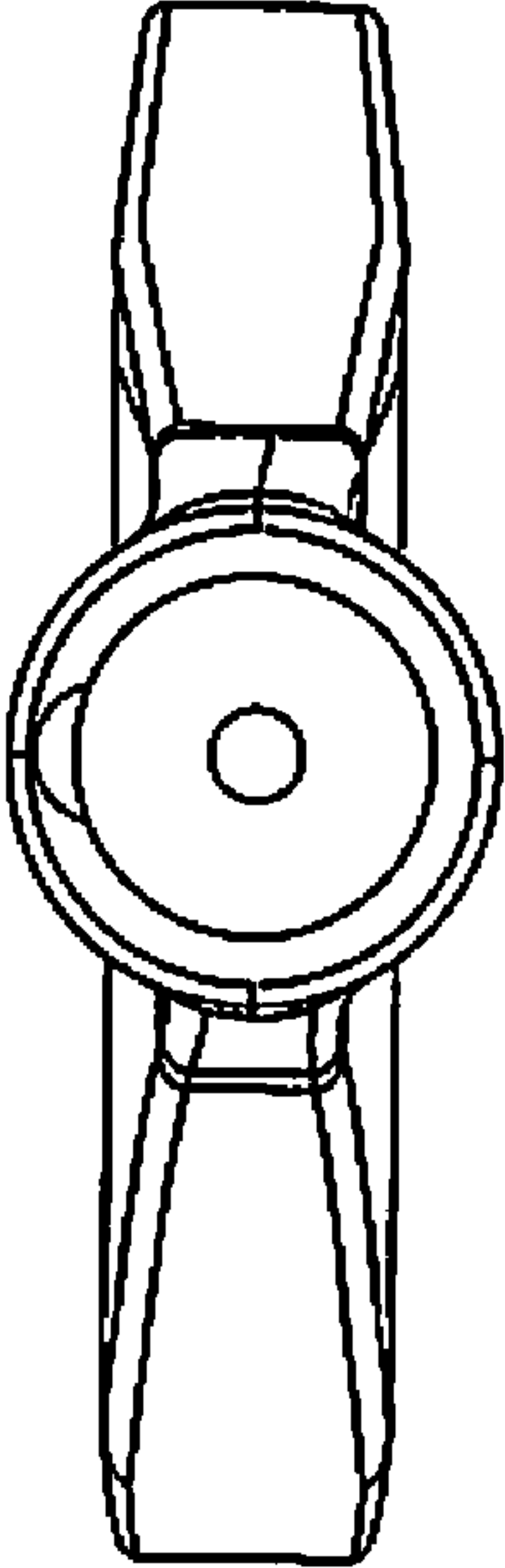


Fig 8

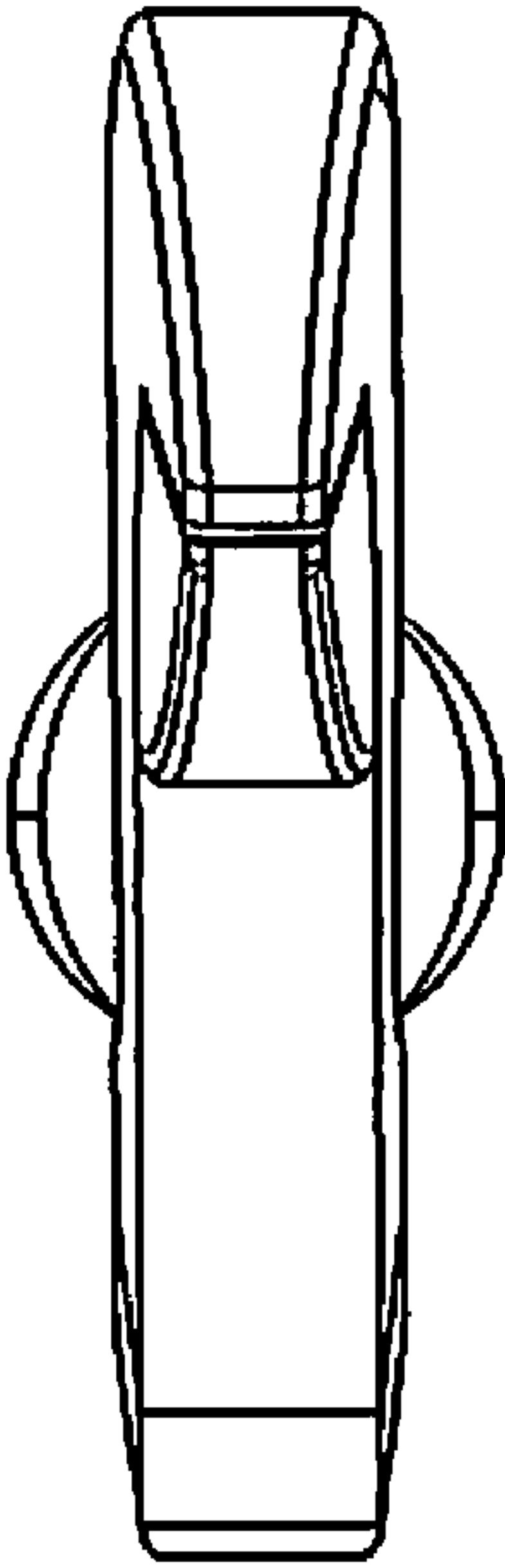


Fig 7