



US00D614454S

(12) **United States Design Patent**
Shapiro

(10) **Patent No.:** **US D614,454 S**

(45) **Date of Patent:** **** Apr. 27, 2010**

(54) **KNIFE DRAWER INSERT**

Primary Examiner—Terry A Wallace

(76) Inventor: **Jennifer Shapiro**, 2970 Interlaken, West Bloomfield, MI (US) 48323-1817

(57) **CLAIM**

The ornamental design for a knife drawer insert, as shown and described.

(**) Term: **14 Years**

(21) Appl. No.: **29/315,056**

(22) Filed: **May 21, 2009**

DESCRIPTION

(51) **LOC (9) Cl.** **07-99**

(52) **U.S. Cl.** **D7/637**

(58) **Field of Classification Search** D7/637-641;
211/70.6, 70.7; 248/37.3, 37.6, 176.1; 30/298.4
See application file for complete search history.

FIG. 1 is a top perspective view of a knife drawer insert showing my new design;

FIG. 2 is a top plan view thereof;

FIG. 3 is a first side view thereof;

FIG. 4 is an opposing side view thereof relative to the view of FIG. 3;

FIG. 5 is a top view thereof, with the bottom view being a featureless rectangle of the same dimensions as FIG. 5;

FIG. 6 is a first end view thereof; and,

FIG. 7 is an opposing end view thereof relative to the view of FIG. 6.

The broken lines are for illustrative purposes only and form no part of the claimed design.

(56) **References Cited**

U.S. PATENT DOCUMENTS

D259,321 S *	5/1981	Sparger	D7/637
D411,718 S *	6/1999	Davis et al.	D7/637
6,659,406 B2 *	12/2003	Tsuchida	248/37.3
D512,279 S *	12/2005	Berger et al.	D7/637
D527,957 S *	9/2006	Ranieri	D7/637
2002/0175131 A1 *	11/2002	Johnson	211/70.7

* cited by examiner

1 Claim, 3 Drawing Sheets

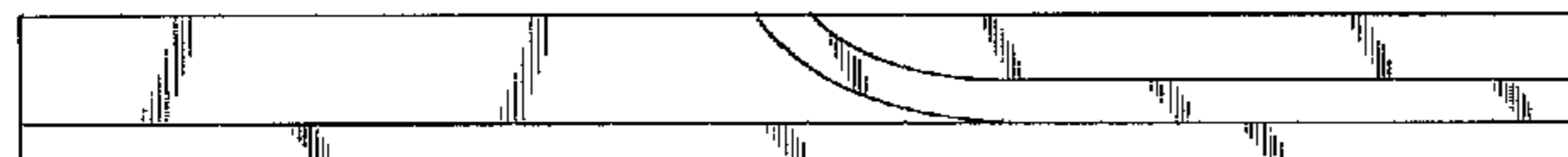
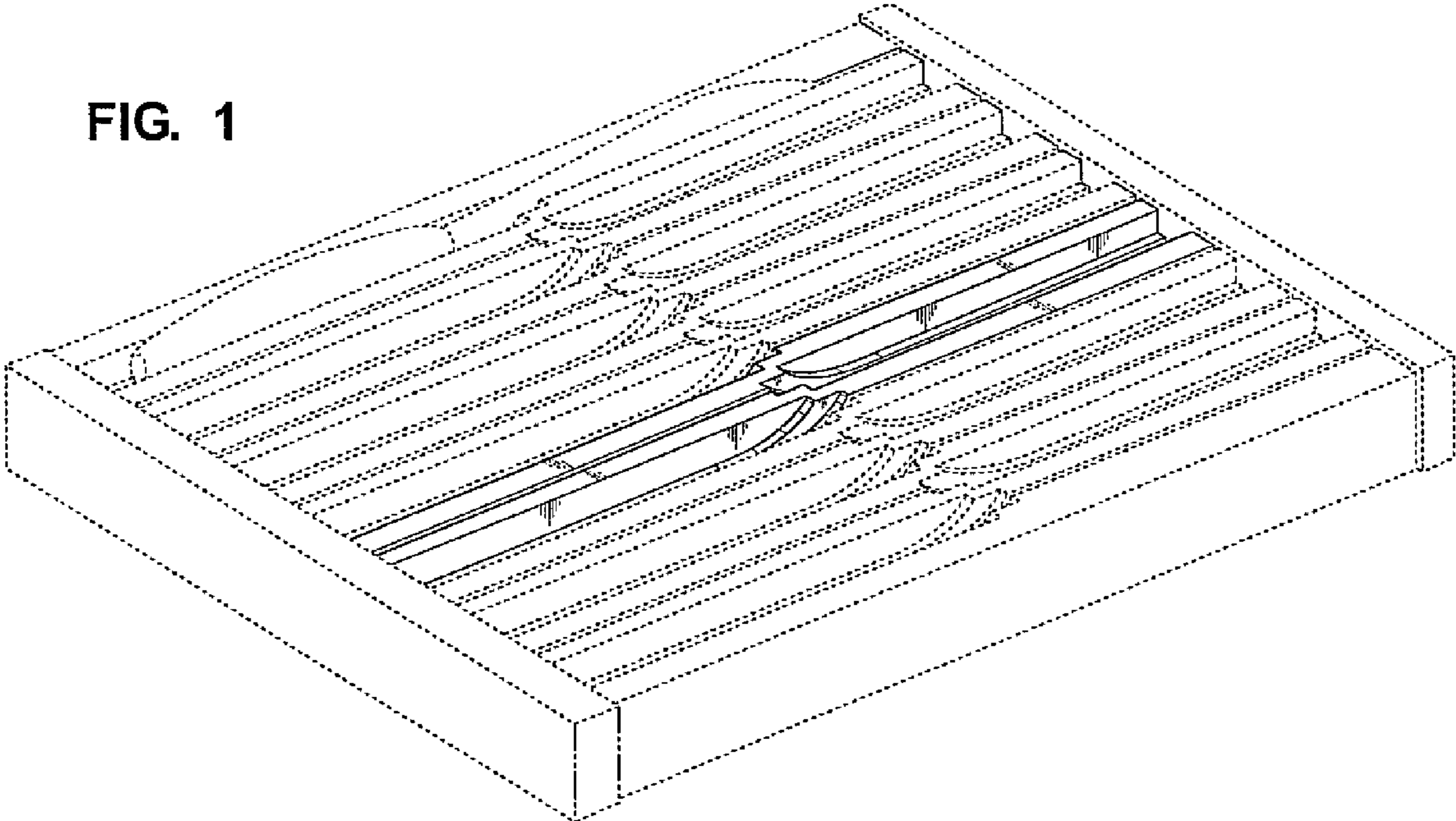


FIG. 1



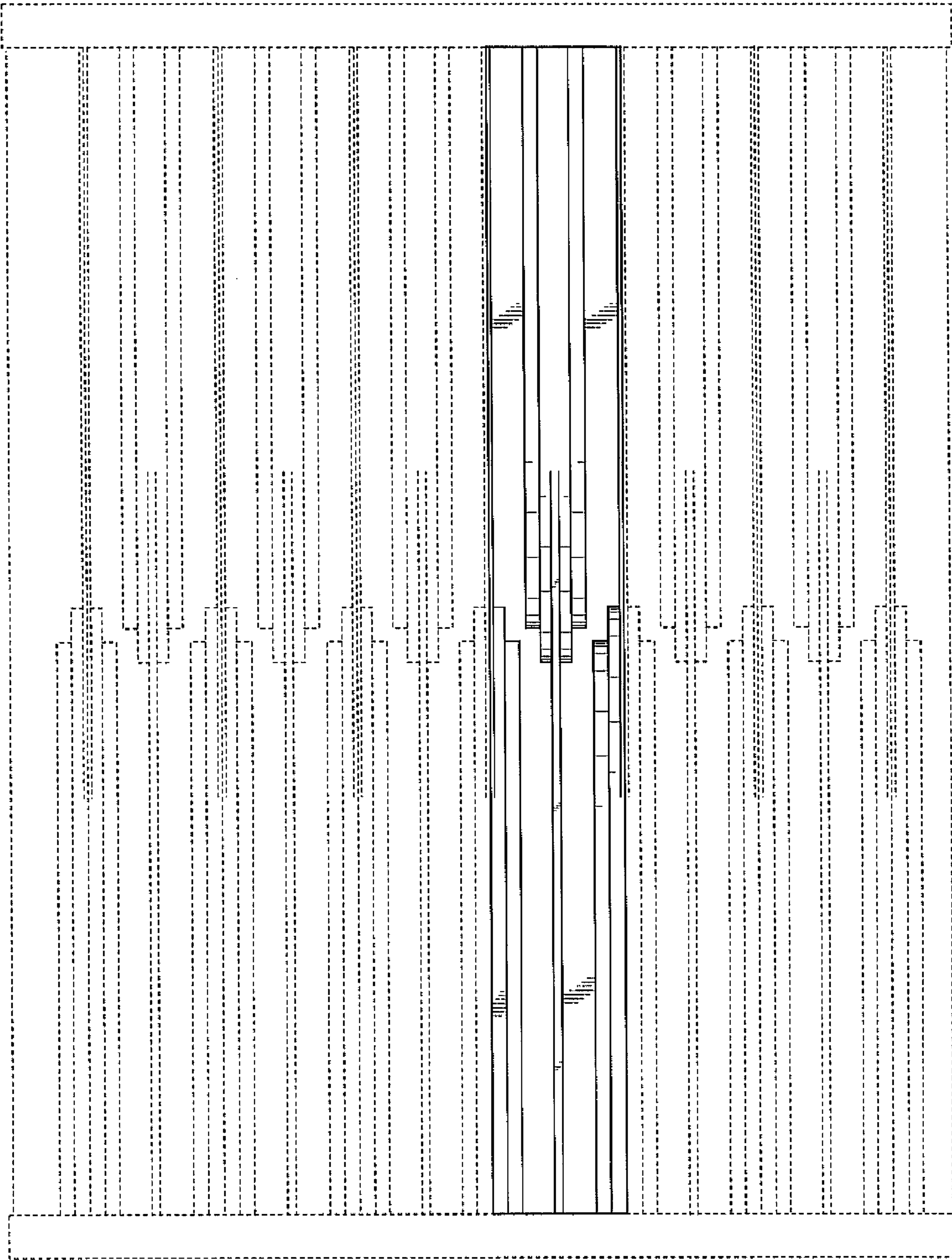


FIG. 2

FIG. 3

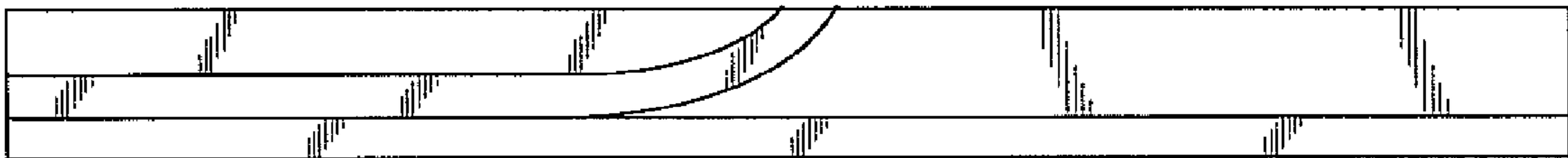


FIG. 4

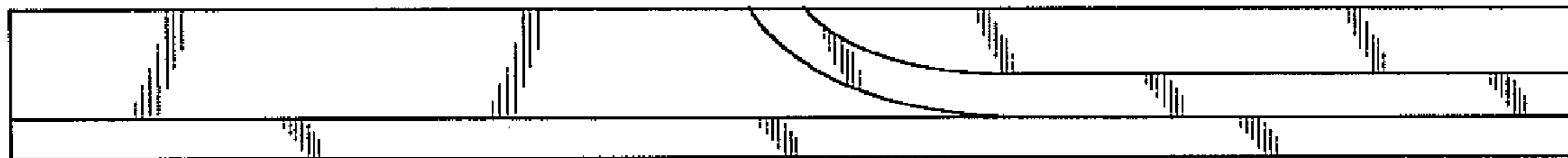


FIG. 5

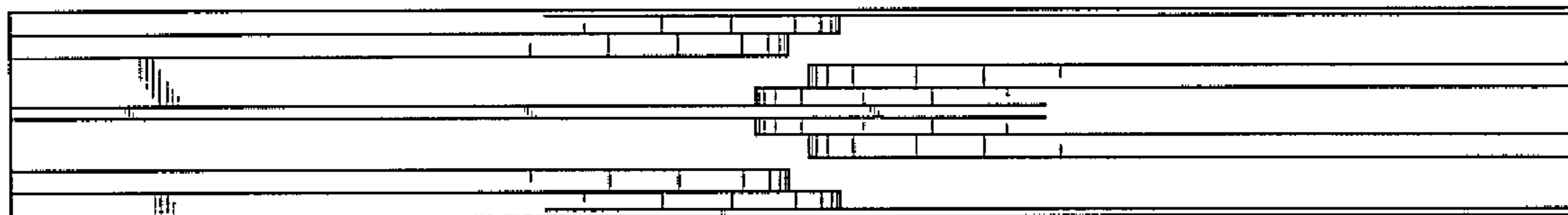


FIG. 6



FIG. 7

