



US00D614448S

(12) **United States Design Patent**  
**Cahen**

(10) **Patent No.:** **US D614,448 S**

(45) **Date of Patent:** **\*\* Apr. 27, 2010**

(54) **CUP**  
(75) Inventor: **Antoine Cahen**, Lausanne (CH)  
(73) Assignee: **Societe des Produits Nestle S.A.**, Vevey (CH)  
(\*\*) Term: **14 Years**  
(21) Appl. No.: **29/340,329**  
(22) Filed: **Jul. 16, 2009**

(30) **Foreign Application Priority Data**  
Mar. 4, 2009 (CH) ..... 135913

(51) **LOC (9) Cl.** ..... **07-01**  
(52) **U.S. Cl.** ..... **D7/532; D7/523**  
(58) **Field of Classification Search** ..... D7/509–511,  
D7/523, 532, 533, 536; 220/703, 592.16;  
215/11.3  
See application file for complete search history.

(56) **References Cited**  
U.S. PATENT DOCUMENTS  
D152,284 S \* 1/1949 Muller-Mark ..... D7/400  
3,269,144 A \* 8/1966 Poris ..... 62/457.3  
D213,144 S \* 1/1969 Kraus et al. .... D12/195  
D213,173 S \* 1/1969 Lockhart et al. .... D7/532

D222,375 S \* 10/1971 Bencik ..... D7/523  
D381,869 S \* 8/1997 Jeppesen et al. .... D7/532  
D533,404 S \* 12/2006 Mansfield ..... D7/513  
D533,909 S \* 12/2006 Whitten ..... D21/635  
D554,941 S \* 11/2007 Mansfield ..... D7/396.2  
D565,354 S \* 4/2008 Bodum ..... D7/523  
D577,260 S \* 9/2008 Bodum ..... D7/523  
D581,739 S \* 12/2008 Bodum ..... D7/523  
D597,791 S \* 8/2009 Lion et al. .... D7/523  
D597,792 S \* 8/2009 Lion et al. .... D7/523

\* cited by examiner

*Primary Examiner*—Marianne Pandozzi  
(74) *Attorney, Agent, or Firm*—K&L Gates LLP

(57) **CLAIM**

The ornamental design for a cup, as shown and described.

**DESCRIPTION**

FIG. 1 illustrates a front perspective view of the cup showing my new design;  
FIG. 2 illustrates a front elevation view thereof, wherein the rear elevation view, right side elevation view and left side elevation view are mirror images of this view;  
FIG. 3 illustrates a top view thereof; and,  
FIG. 4 illustrates a bottom view thereof.

**1 Claim, 3 Drawing Sheets**

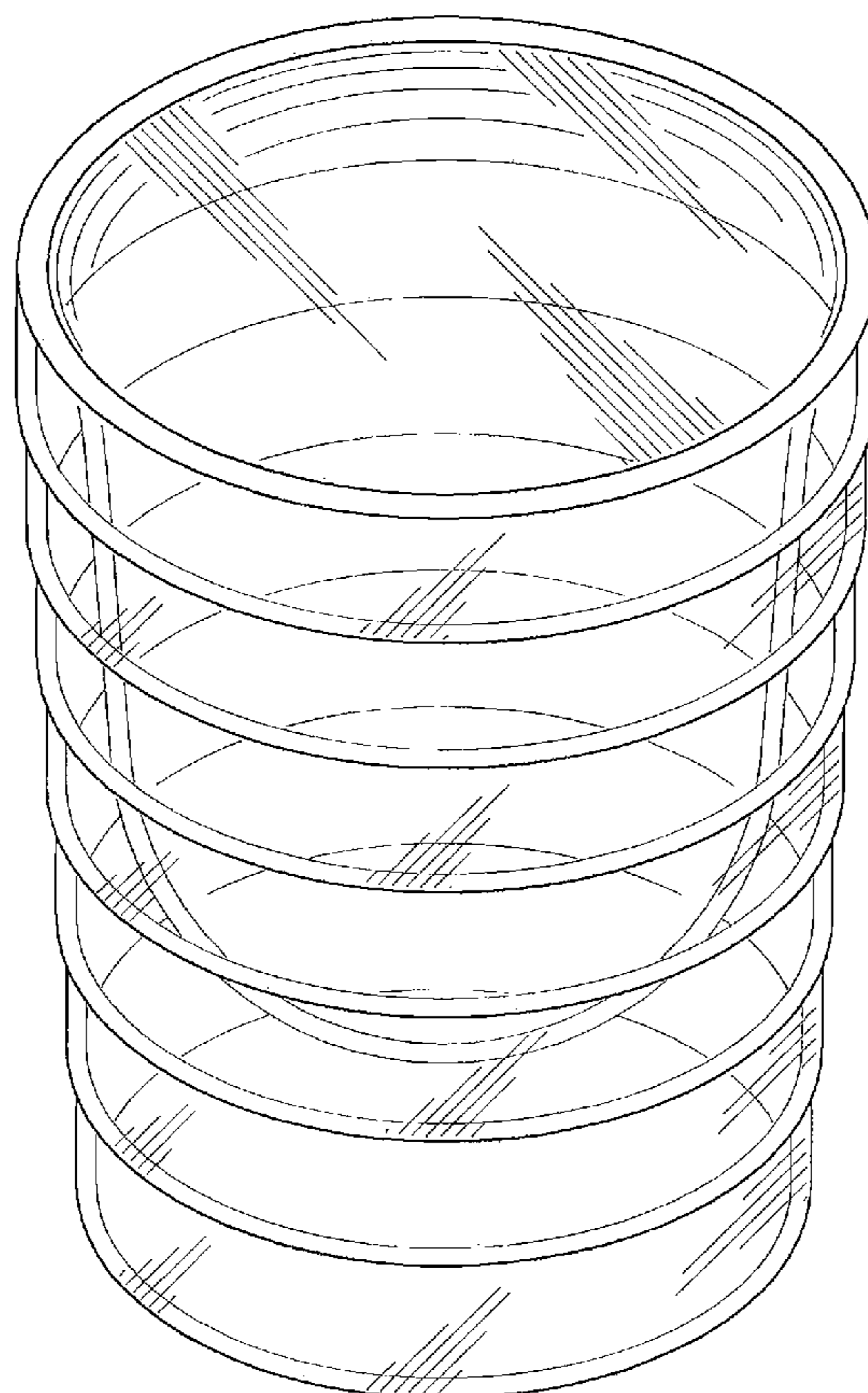


FIG. 1

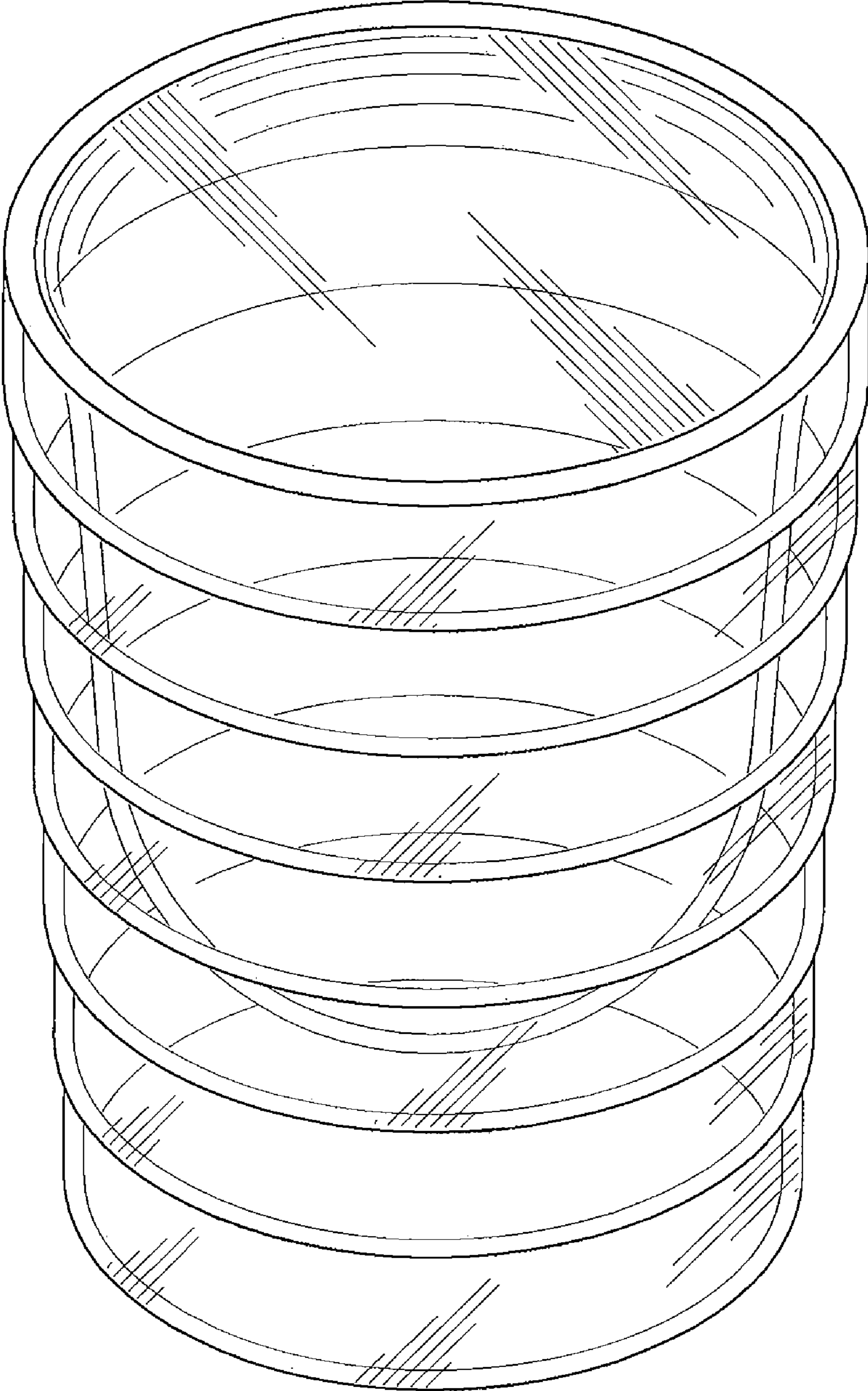


FIG. 2

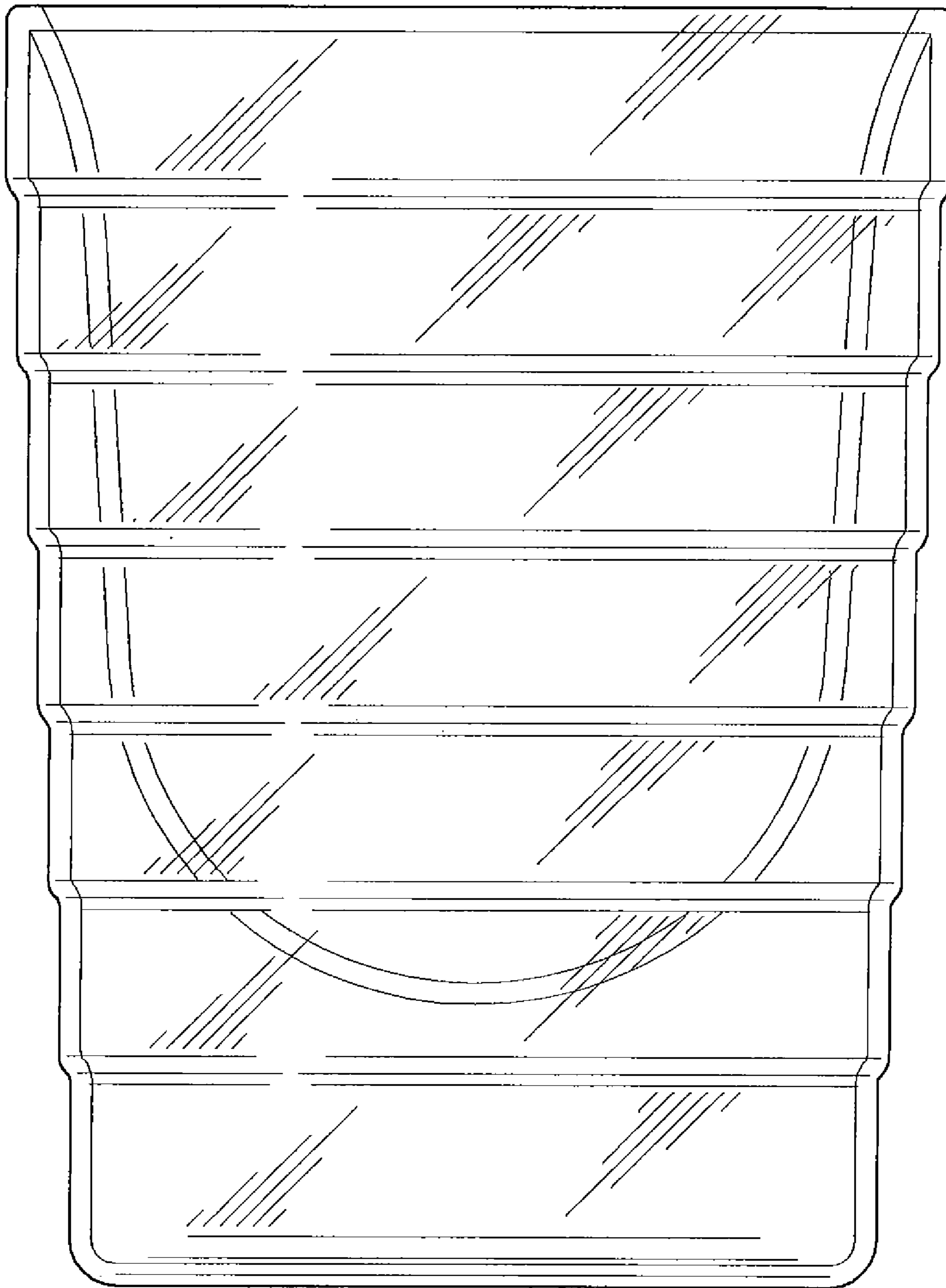




FIG. 3

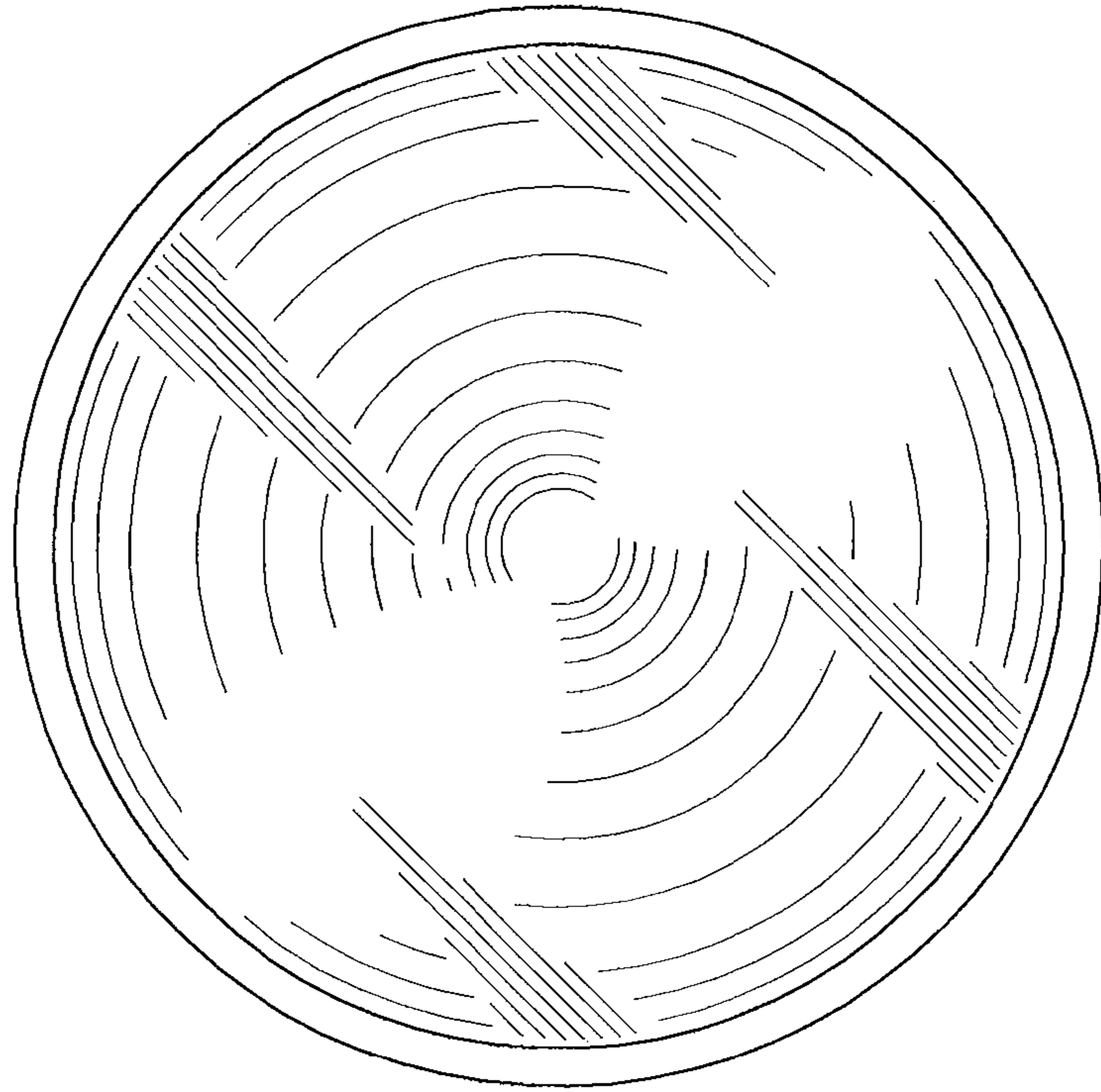


FIG. 4

