



US00D614444S

(12) **United States Design Patent**
Struzka et al.

(10) **Patent No.:** **US D614,444 S**
(45) **Date of Patent:** **** Apr. 27, 2010**

(54) **CAPSULE HOLDER**

(75) Inventors: **Pierre Struzka**, La Chaux-de-Fonds (CH); **Remy Jacquet**, La Chaux-de-Fonds (CH); **Damien Regamey**, La Chaux-de-Fonds (CH)

(73) Assignee: **Societe des Produits Nestle S.A.**, Vevey (CH)

(**) Term: **14 Years**

(21) Appl. No.: **29/336,435**

(22) Filed: **May 4, 2009**

(30) **Foreign Application Priority Data**

Nov. 11, 2008 (CH) 135541

(51) **LOC (9) Cl.** **07-99**

(52) **U.S. Cl.** **D7/400; D7/399**

(58) **Field of Classification Search** D7/400, D7/387, 399; 99/295; 220/676

See application file for complete search history.

(56) **References Cited**

U.S. PATENT DOCUMENTS

D341,286 S * 11/1993 Grykiewicz et al. D7/400
D341,992 S * 12/1993 Gasser D7/400

D423,284 S * 4/2000 Fischer D7/400
D442,430 S * 5/2001 Pope D7/400
6,481,338 B1 * 11/2002 Wai 99/302 R
D502,053 S * 2/2005 Bodum D7/400
D542,088 S * 5/2007 Albrecht D7/400
D565,349 S * 4/2008 Denisart et al. D7/400
7,469,628 B2 * 12/2008 Mandralis et al. 99/295

* cited by examiner

Primary Examiner—Marianne Pandozzi

(74) *Attorney, Agent, or Firm*—K&L Gates LLP

(57) **CLAIM**

The ornamental design for a capsule holder, as shown and described herein.

DESCRIPTION

FIG. 1 illustrates a front perspective view of the capsule holder showing our new design;

FIG. 2 illustrates a top view thereof;

FIG. 3 illustrates a bottom view thereof;

FIG. 4 illustrates a front elevation view thereof;

FIG. 5 illustrates a rear elevation view thereof; and,

FIG. 6 illustrates a left side elevation view thereof, wherein the right side elevation view is a mirror image of this view.

1 Claim, 4 Drawing Sheets

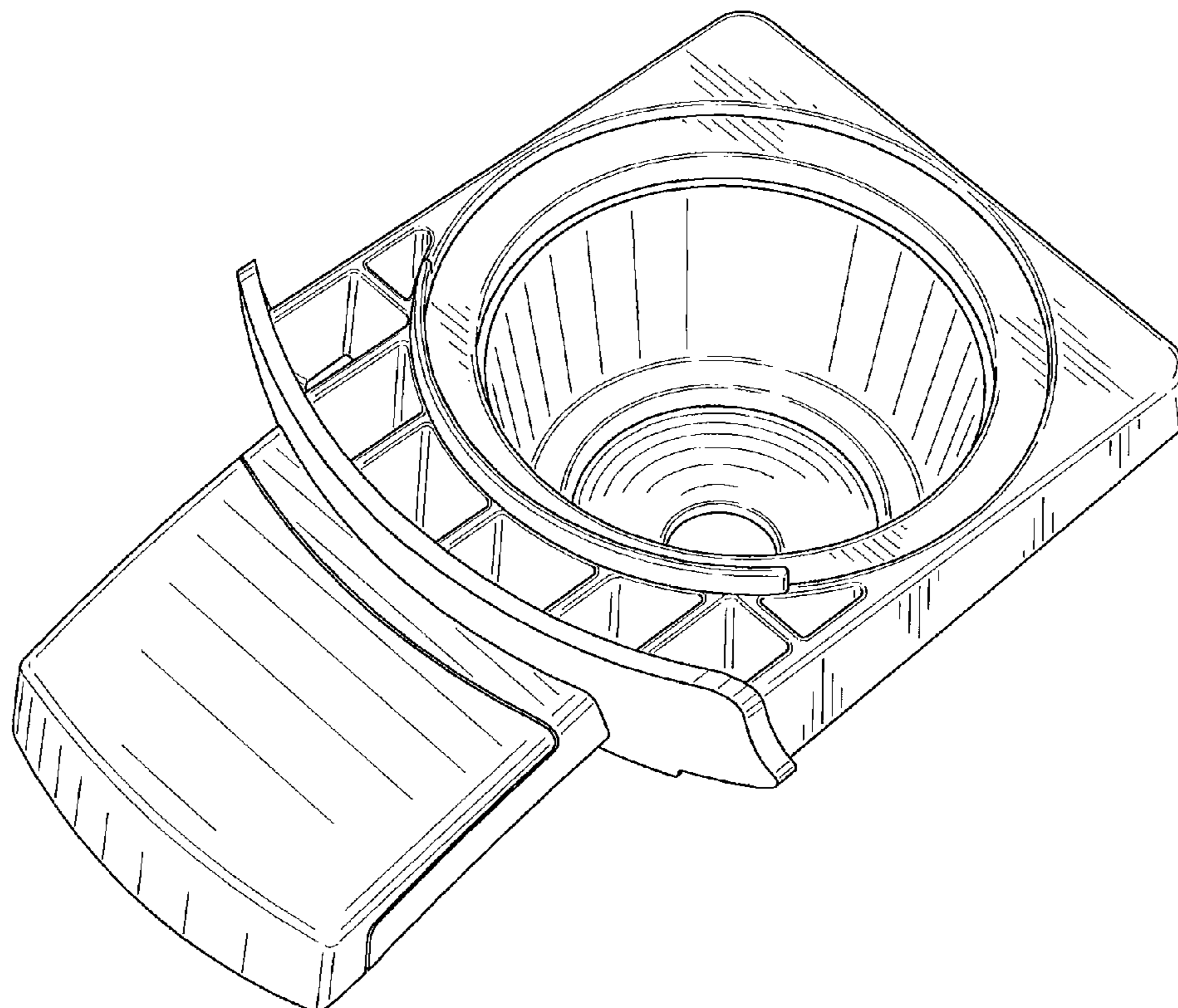


FIG. 1

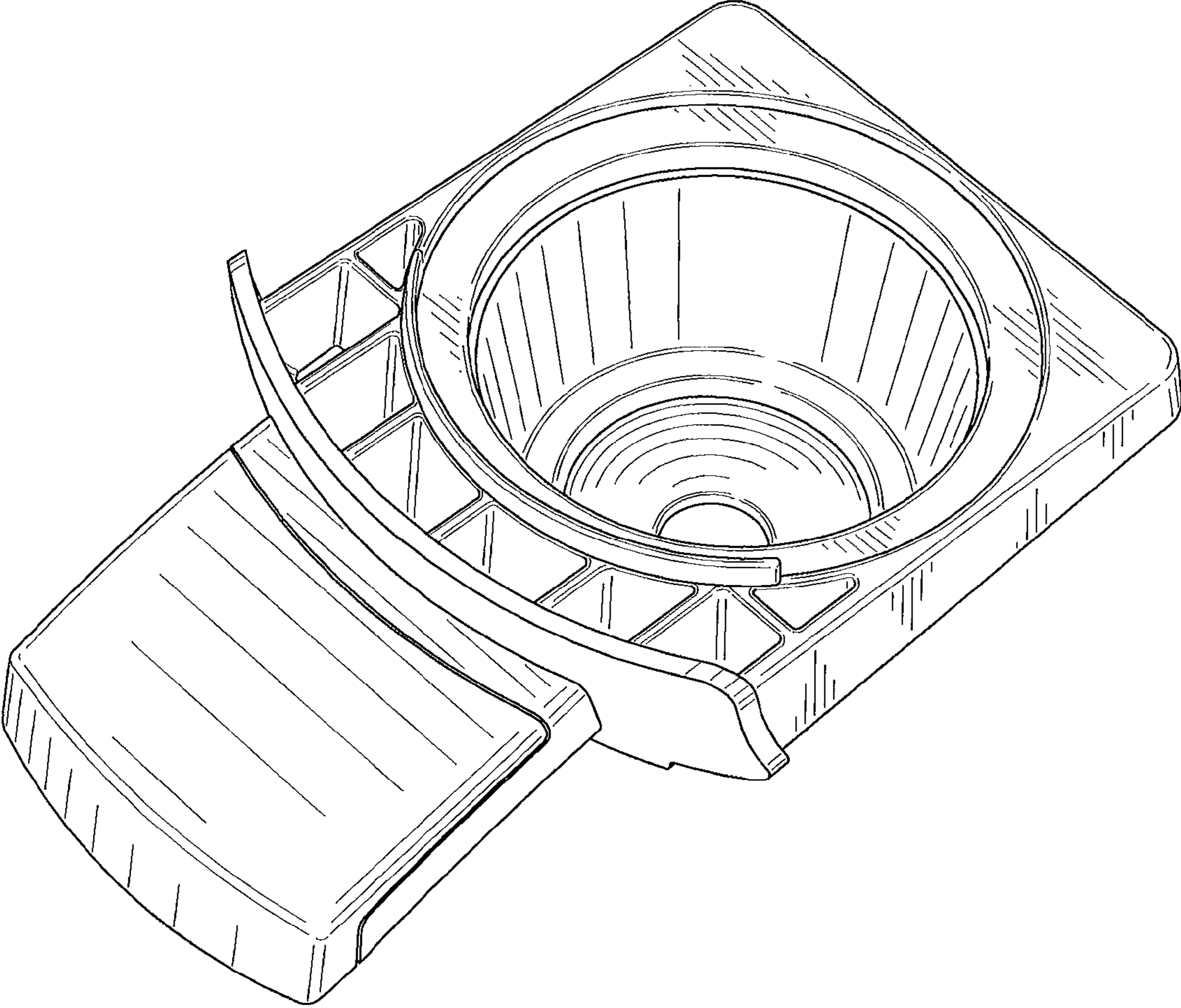


FIG. 2

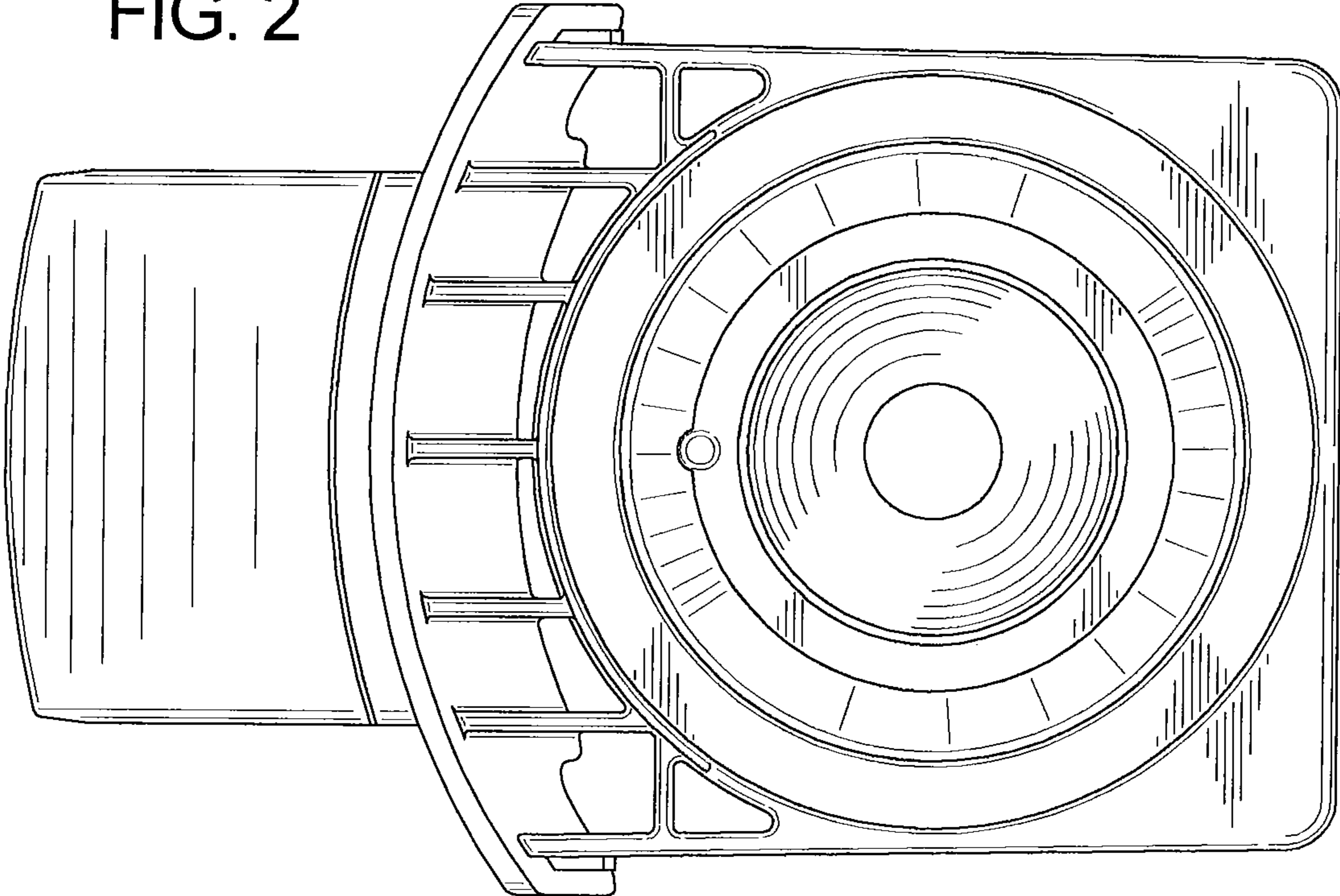


FIG. 3

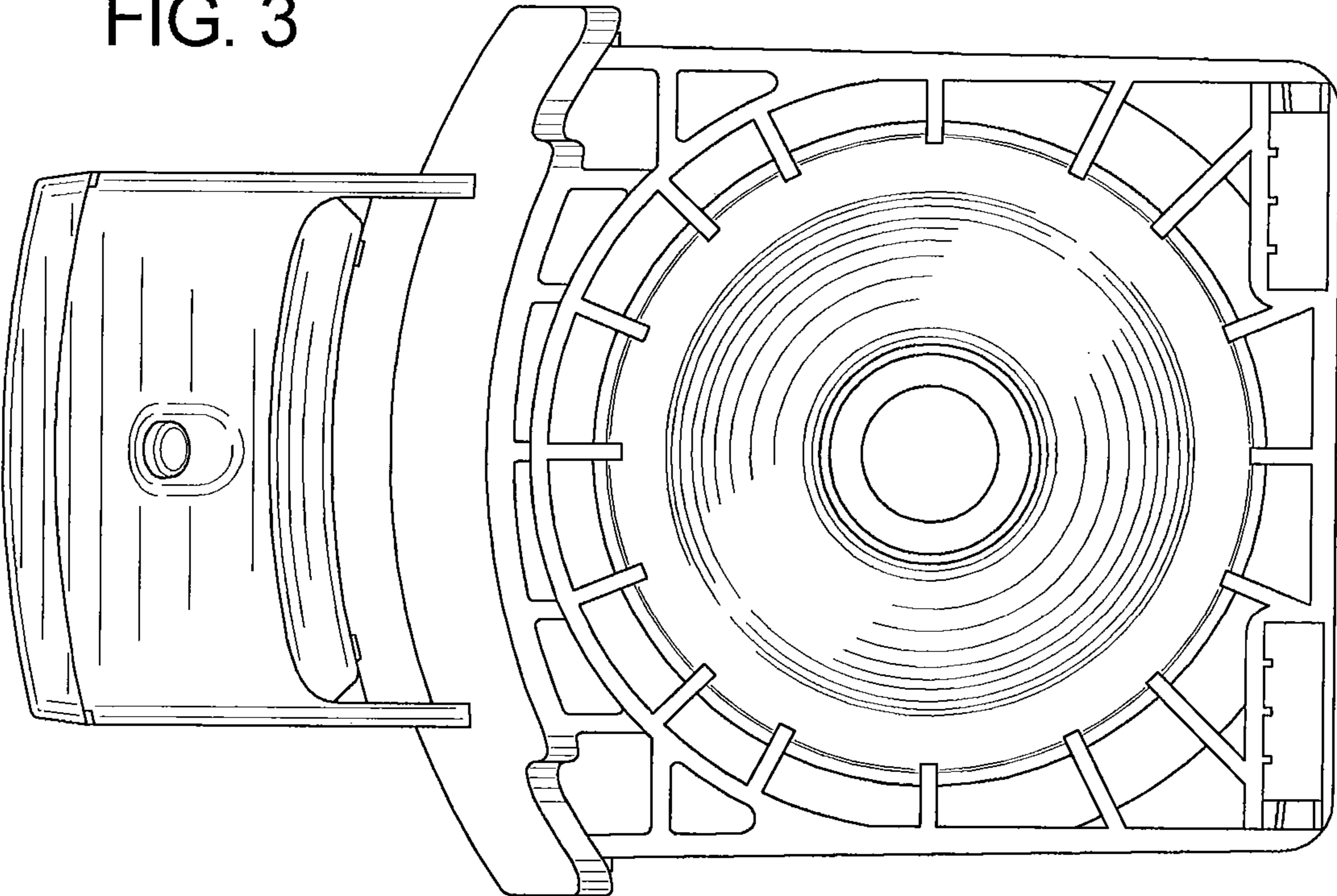


FIG. 4

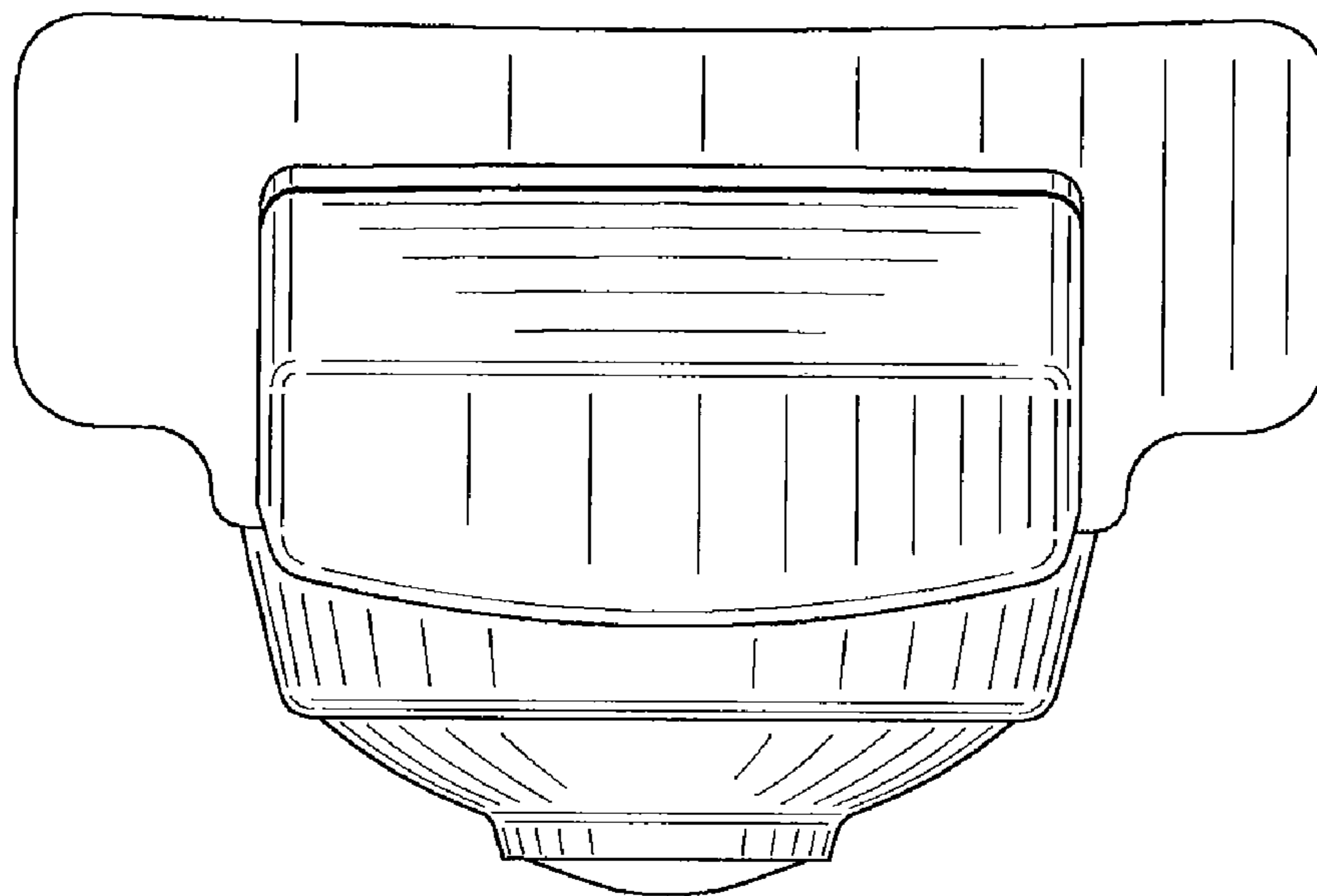


FIG. 5

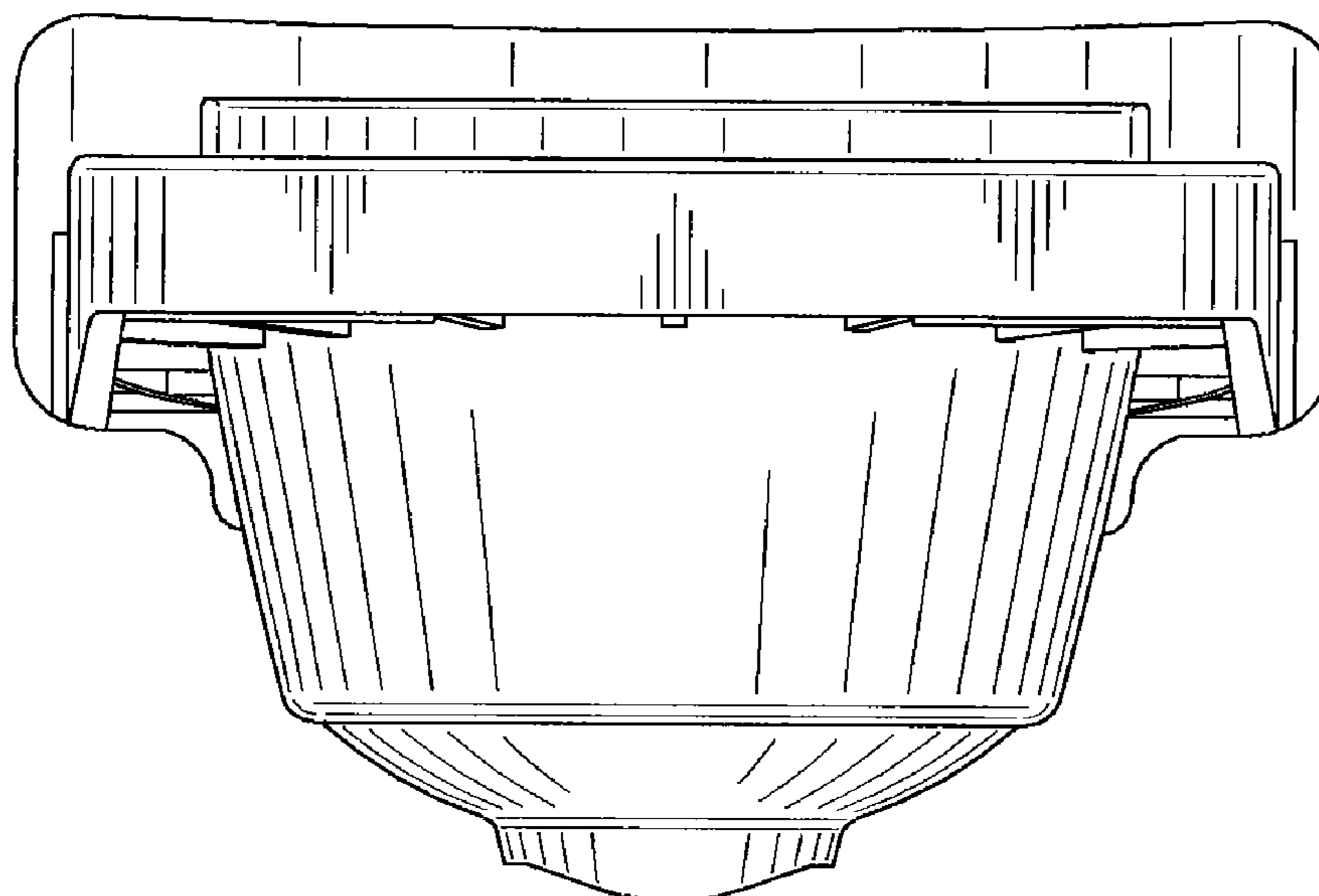


FIG. 6

