



US00D614440S

(12) **United States Design Patent**
Cresswell et al.

(10) **Patent No.:** **US D614,440 S**

(45) **Date of Patent:** **** *Apr. 27, 2010**

(54) **SPORTS BOTTLE CAP WITH SPOUT AND FINGER LOOP FOR STAINLESS STEEL BOTTLE**

(76) Inventors: **Jeff Cresswell**, 4345 Hedstrom Way, Chico, CA (US) 95927; **Donald G Carlson**, 183 Sycamore Valley Rd., Chico, CA (US) 95973; **Chris Kalberer**, 4345 Hedstrom Way, Chico, CA (US) 95927

(*) Notice: This patent is subject to a terminal disclaimer.

(**) Term: **14 Years**

(21) Appl. No.: **29/319,361**

(22) Filed: **Jun. 6, 2008**

(51) **LOC (9) Cl.** **07-02**

(52) **U.S. Cl.** **D7/392.1; D7/396.2**

(58) **Field of Classification Search** D7/392, D7/392.1, 396.2, 397, 510, 511; D9/434, D9/435, 436, 439, 440, 443, 445, 446, 447, D9/449, 452, 453, 454, 500, 503, 504, 505, D9/549-558; 215/205, 206, 228, 230, 234, 215/246, 272, 273, 276, 277, 283, 306, 316, 215/387; 220/703, 711

See application file for complete search history.

(56) **References Cited**

U.S. PATENT DOCUMENTS

D346,718 S * 5/1994 Timmermans D7/392.1

D373,928 S * 9/1996 Green D7/392.1
D375,019 S * 10/1996 Goto et al. D7/392.1
D505,294 S * 5/2005 Gauss D7/392.1
D508,185 S * 8/2005 Gauss D7/392.1
D543,454 S * 5/2007 Leoncavallo et al. D9/449

* cited by examiner

Primary Examiner—Holly H Baynham

Assistant Examiner—Cynthia M Chin

(57) **CLAIM**

The ornamental design for a sports bottle cap with spout and finger loop for stainless steel bottle, as shown.

DESCRIPTION

FIG. 1 is an exploded perspective view of the aligned parts of the sports bottle cap with spout and finger loop for stainless steel bottle;

FIG. 2 is a front elevational view of the sports bottle with cap and finger loop for stainless steel bottle shown without the cap and attached finger loop for the clarity of illustration;

FIG. 3 is a back elevational view thereof;

FIG. 4 is a side elevational view thereof;

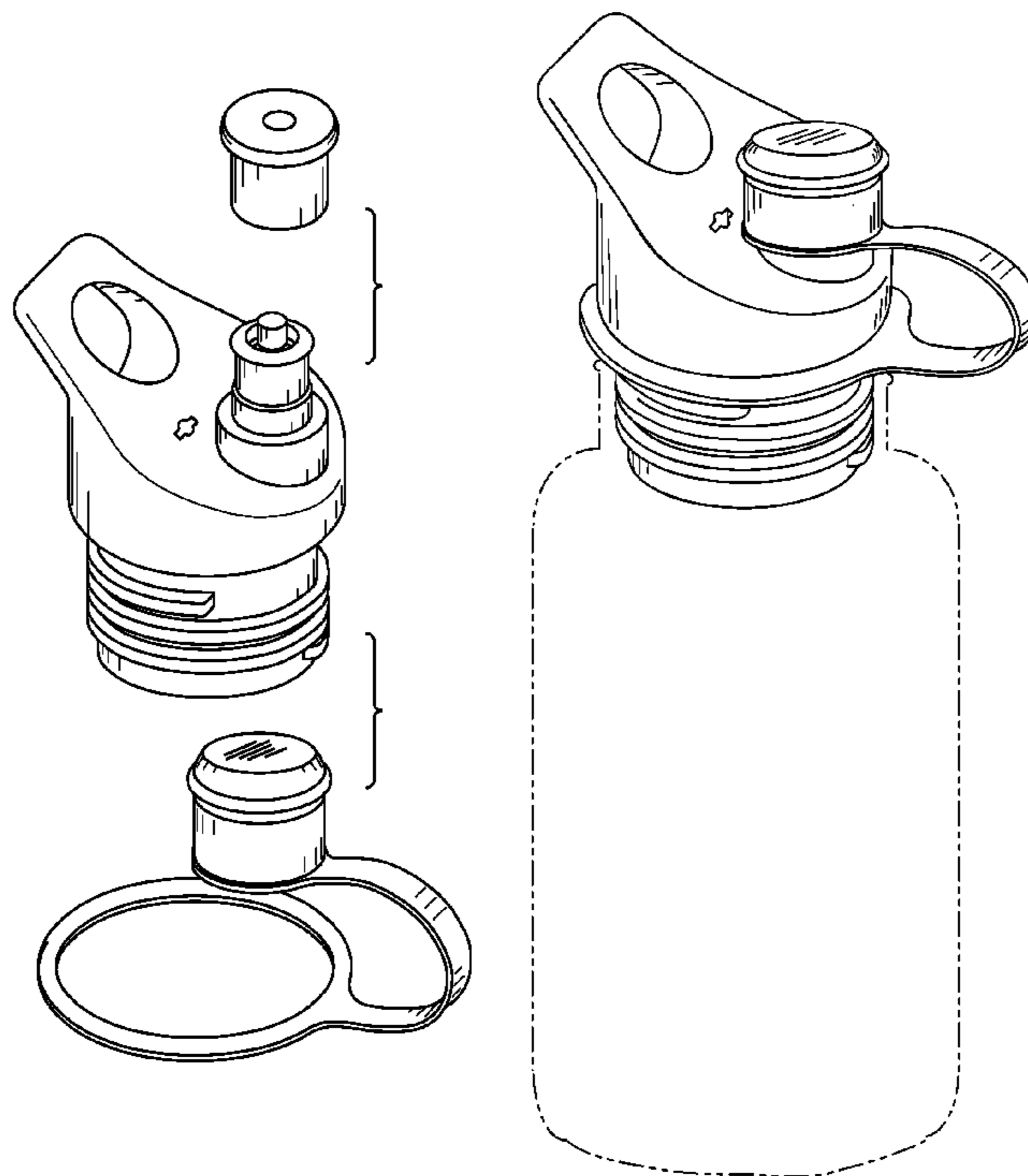
FIG. 5 is a top plan view thereof;

FIG. 6 is a bottom plan view thereof; and,

FIG. 7 is a perspective view of the sports bottle cap with spout and finger loop for stainless steel bottle shown mounted on a phantom stainless steel bottle.

The broken lines shown in FIG. 7 represent portions of the design that form no part of the claim.

1 Claim, 4 Drawing Sheets



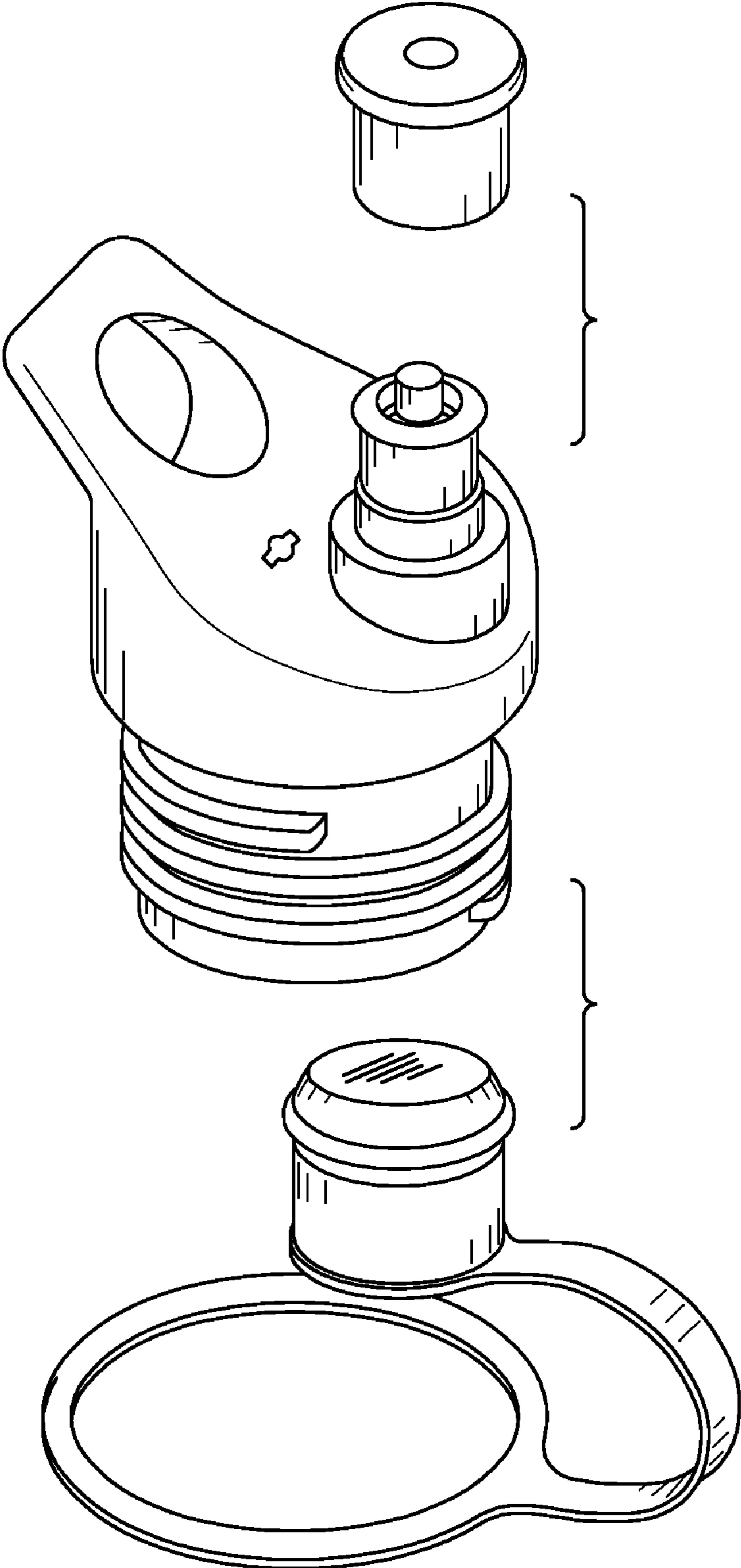


FIG. 1

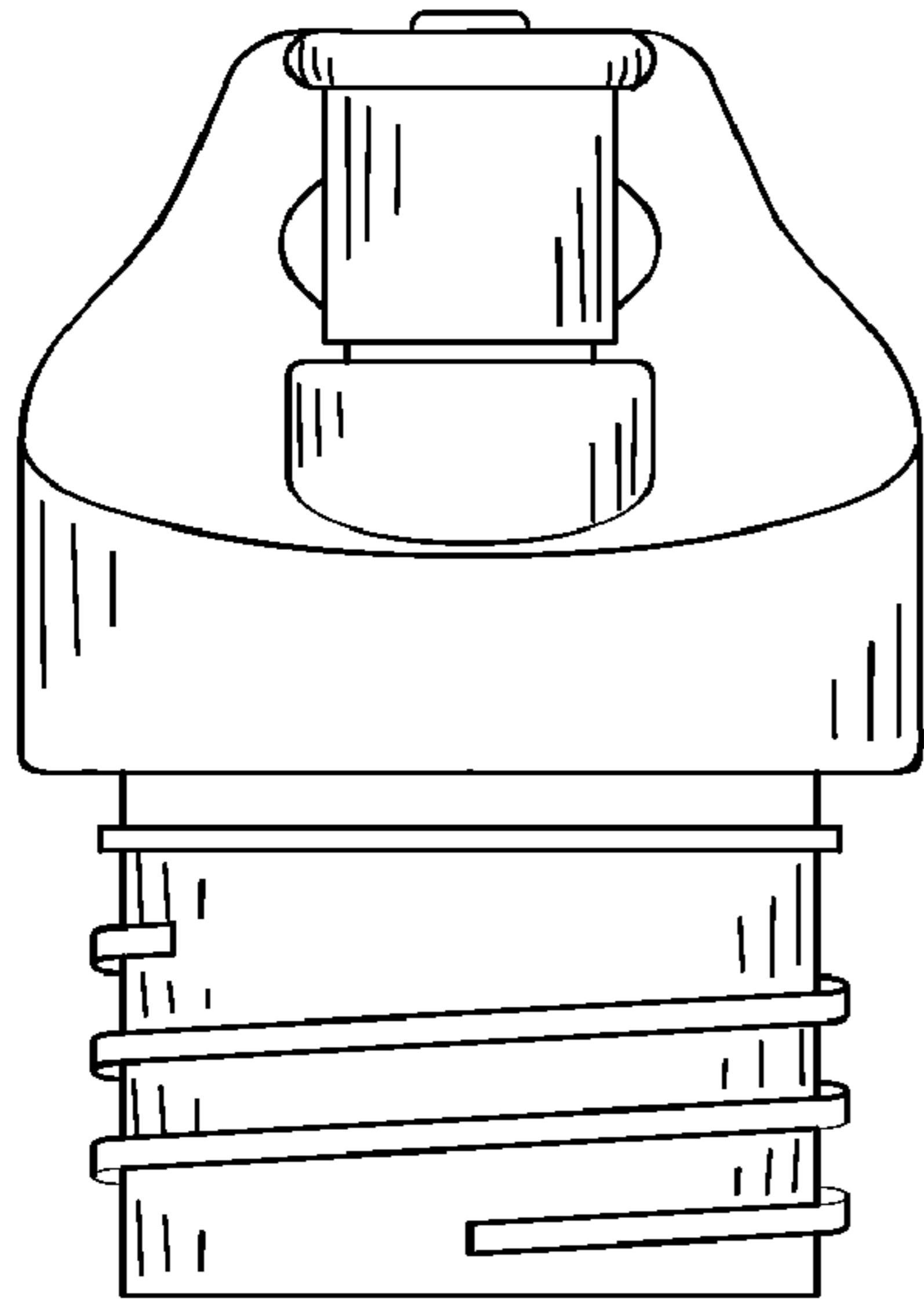


FIG. 2

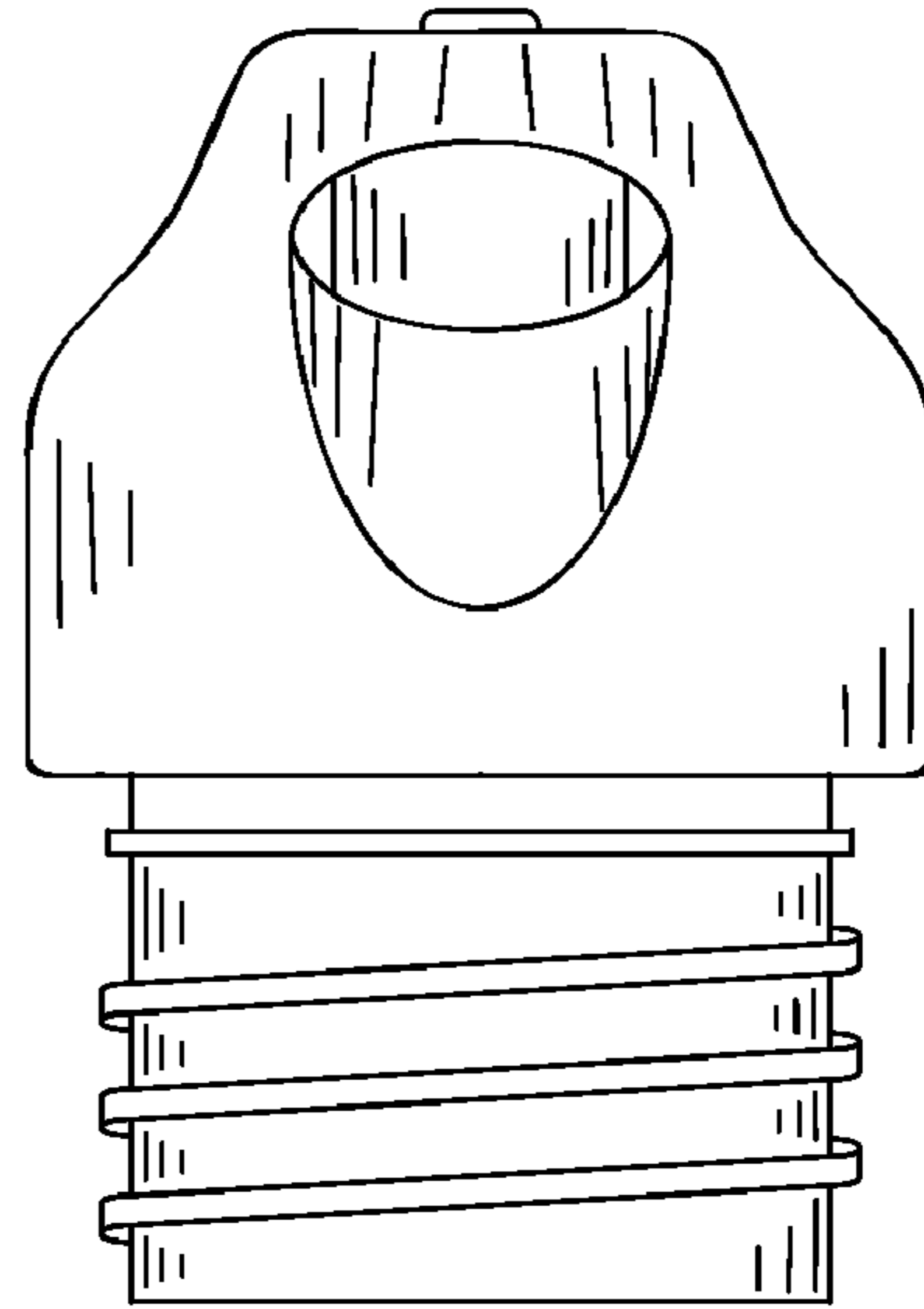


FIG. 3

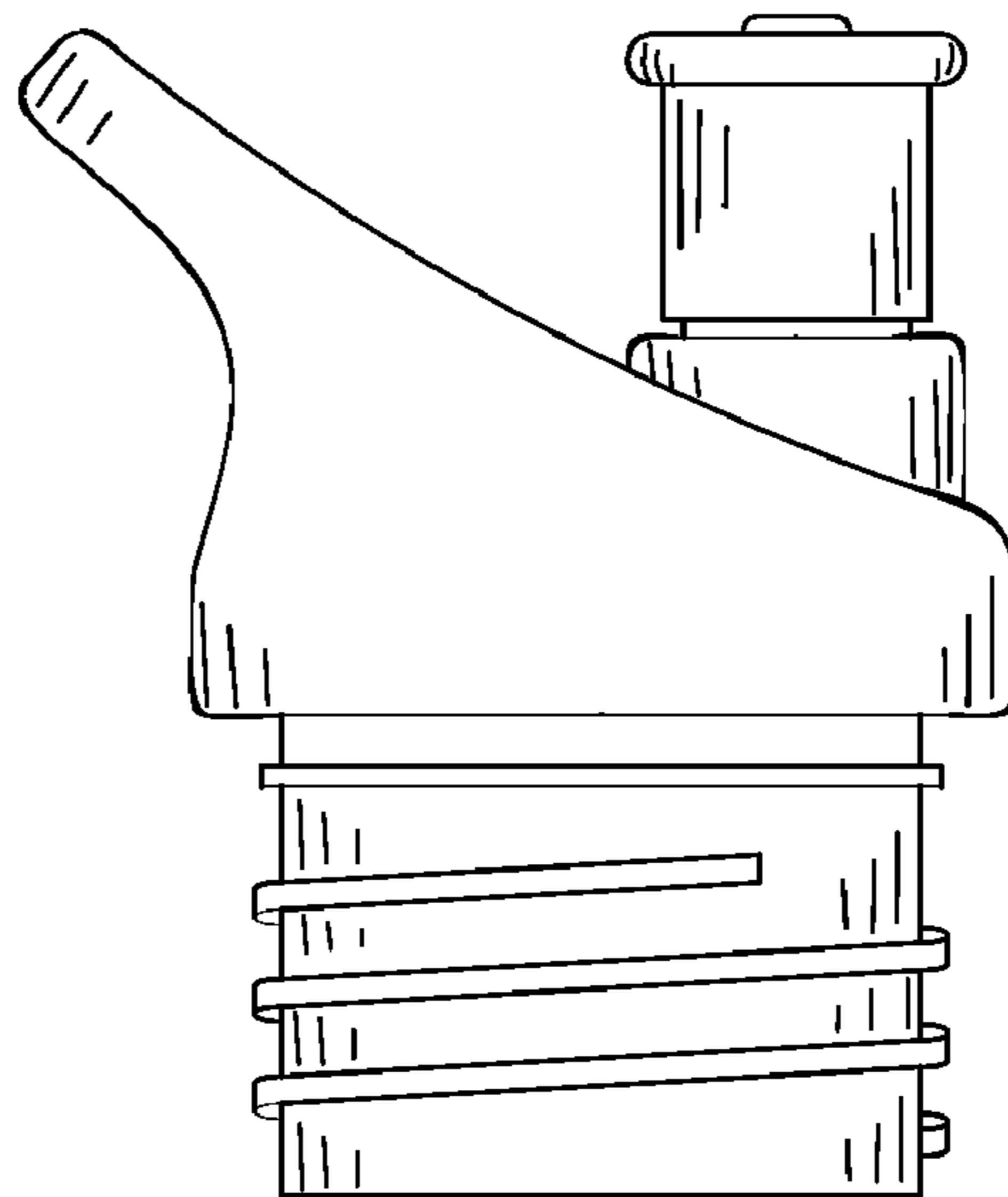


FIG. 4

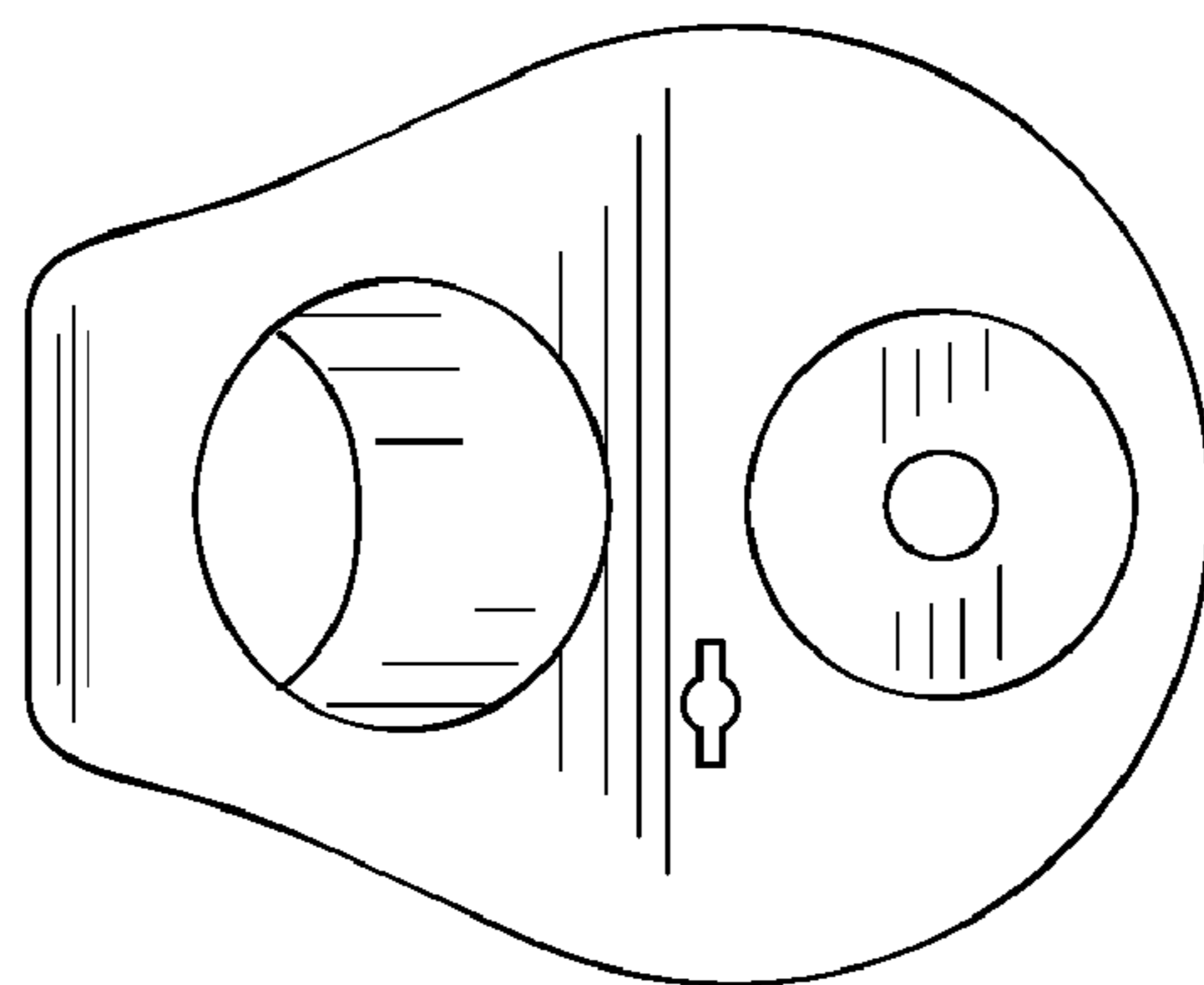


FIG. 5

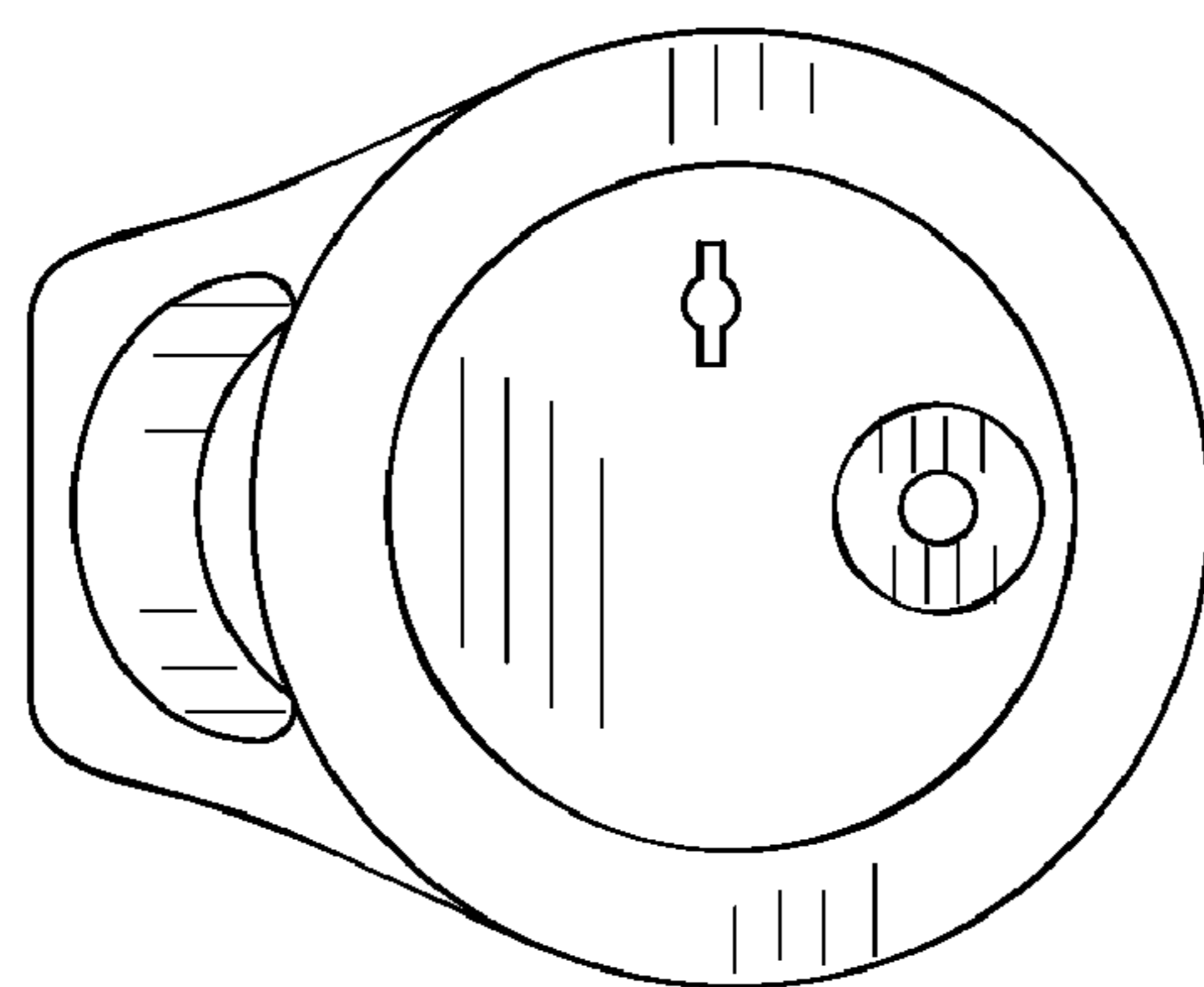


FIG. 6

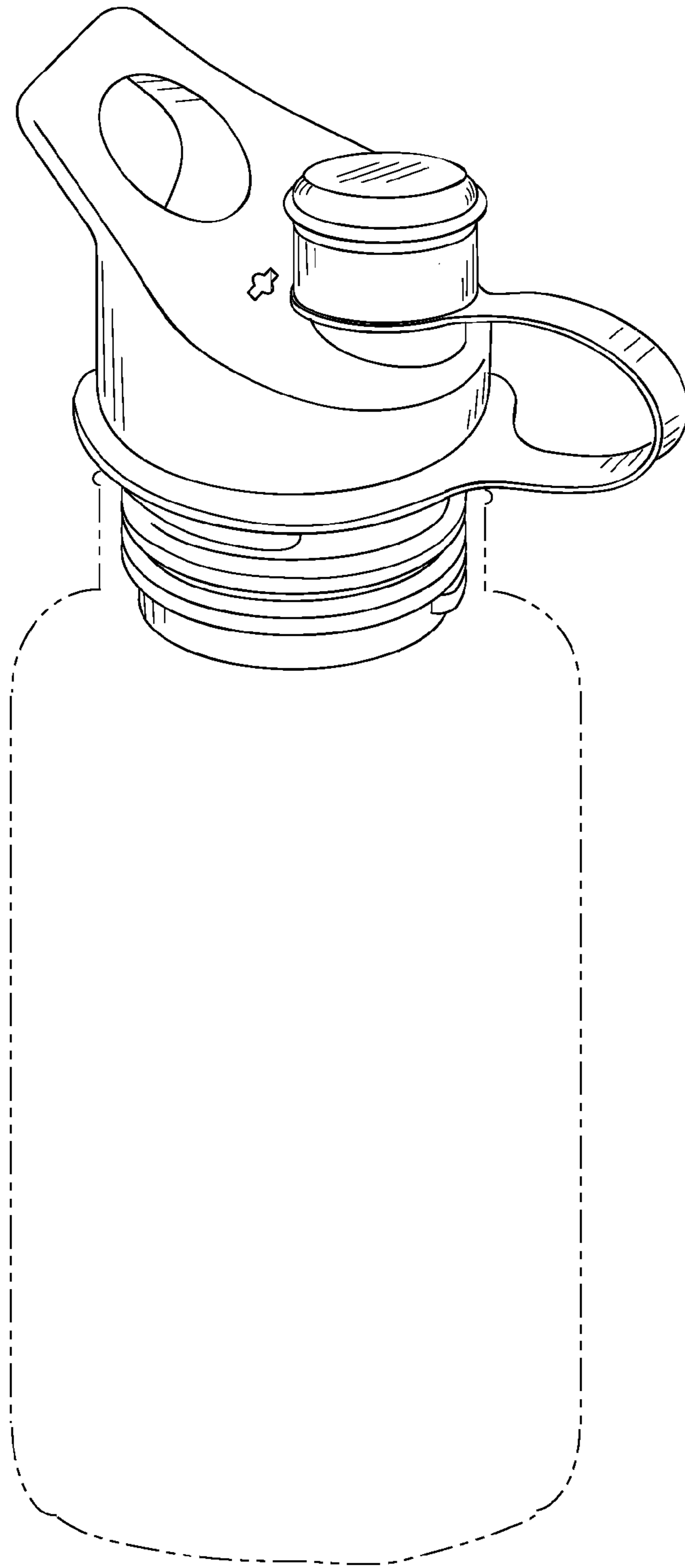


FIG. 7