



US00D614437S

(12) **United States Design Patent**
Baek

(10) **Patent No.:** **US D614,437 S**

(45) **Date of Patent:** **** Apr. 27, 2010**

(54) **MICROWAVE OVEN**

D586,180 S * 2/2009 Pino et al. D7/405

(75) Inventor: **Byung Kook Baek**, Kyunggi-do (KR)

* cited by examiner

(73) Assignee: **Samsung Electronics Co., Ltd.**, Suwon (KR)

Primary Examiner—Ruth McInroy

(74) *Attorney, Agent, or Firm*—Ladas and Parry LLP

(**) Term: **14 Years**

(57) **CLAIM**

(21) Appl. No.: **29/342,440**

I claim the ornamental design for microwave oven, as shown.

(22) Filed: **Aug. 25, 2009**

DESCRIPTION

(51) **LOC (9) Cl.** **07-02**

FIG. 1 is a front/right-side/top perspective view of a microwave oven showing our new design;

(52) **U.S. Cl.** **D7/351**

FIG. 2 is a front elevational view thereof;

(58) **Field of Classification Search** D7/351,

FIG. 3 is a rear elevational view thereof;

D7/350.1, 350.3, 350.4, 402, 405, 406; 219/678,

FIG. 4 is a left-side elevational view thereof;

219/756–758; 126/19 M, 275 E

FIG. 5 is a right-side elevational view thereof;

(56) **References Cited**

FIG. 6 is a top plan view thereof; and

U.S. PATENT DOCUMENTS

FIG. 7 is a bottom plan view thereof; and,

D456,666 S * 5/2002 Monguilod D7/351

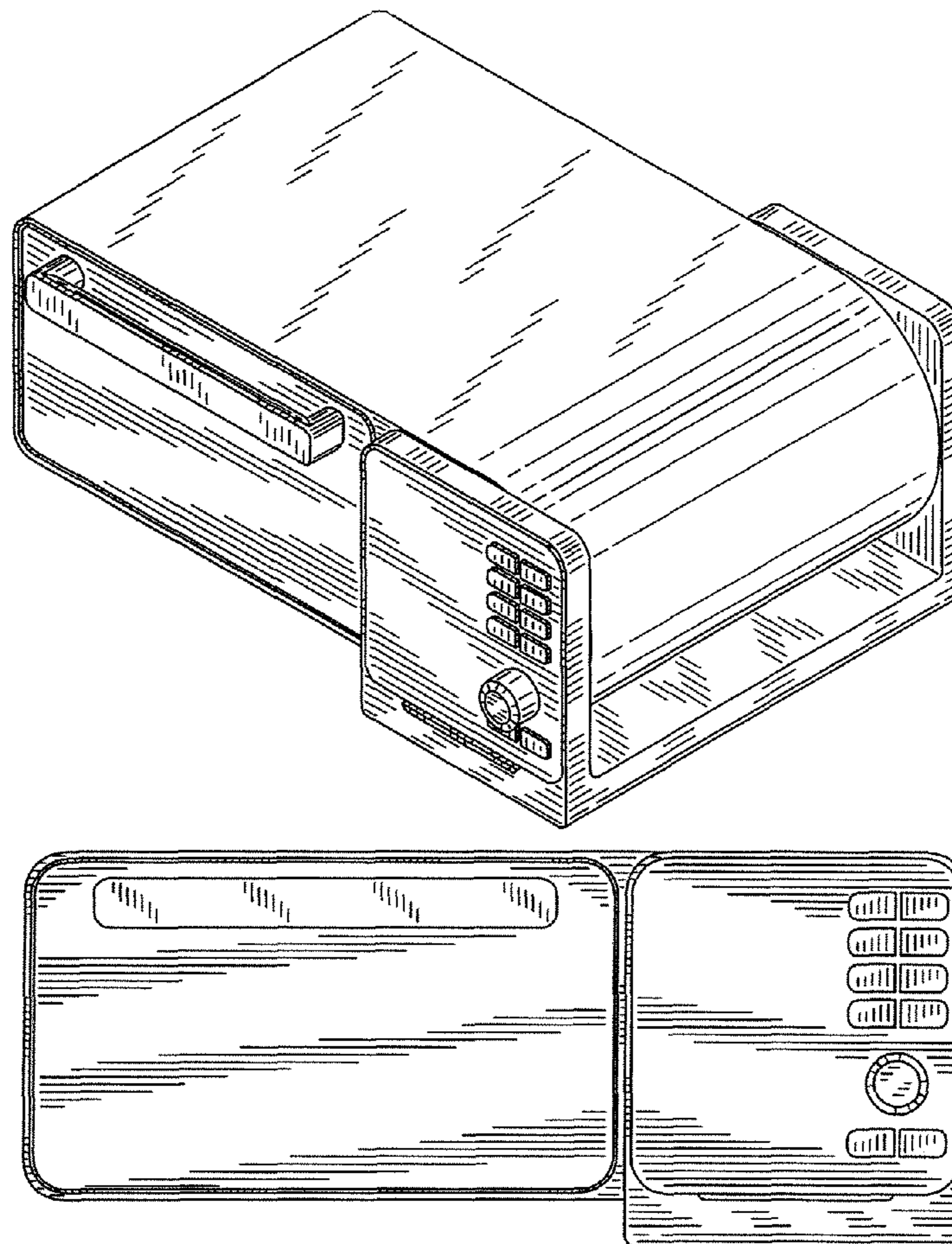
FIG. 8 is a perspective view showing the microwave oven in an alternative position.

D457,378 S * 5/2002 Wang et al. D7/351

D487,666 S * 3/2004 Monguilod D7/351

D523,282 S * 6/2006 Yoon D7/351

1 Claim, 6 Drawing Sheets



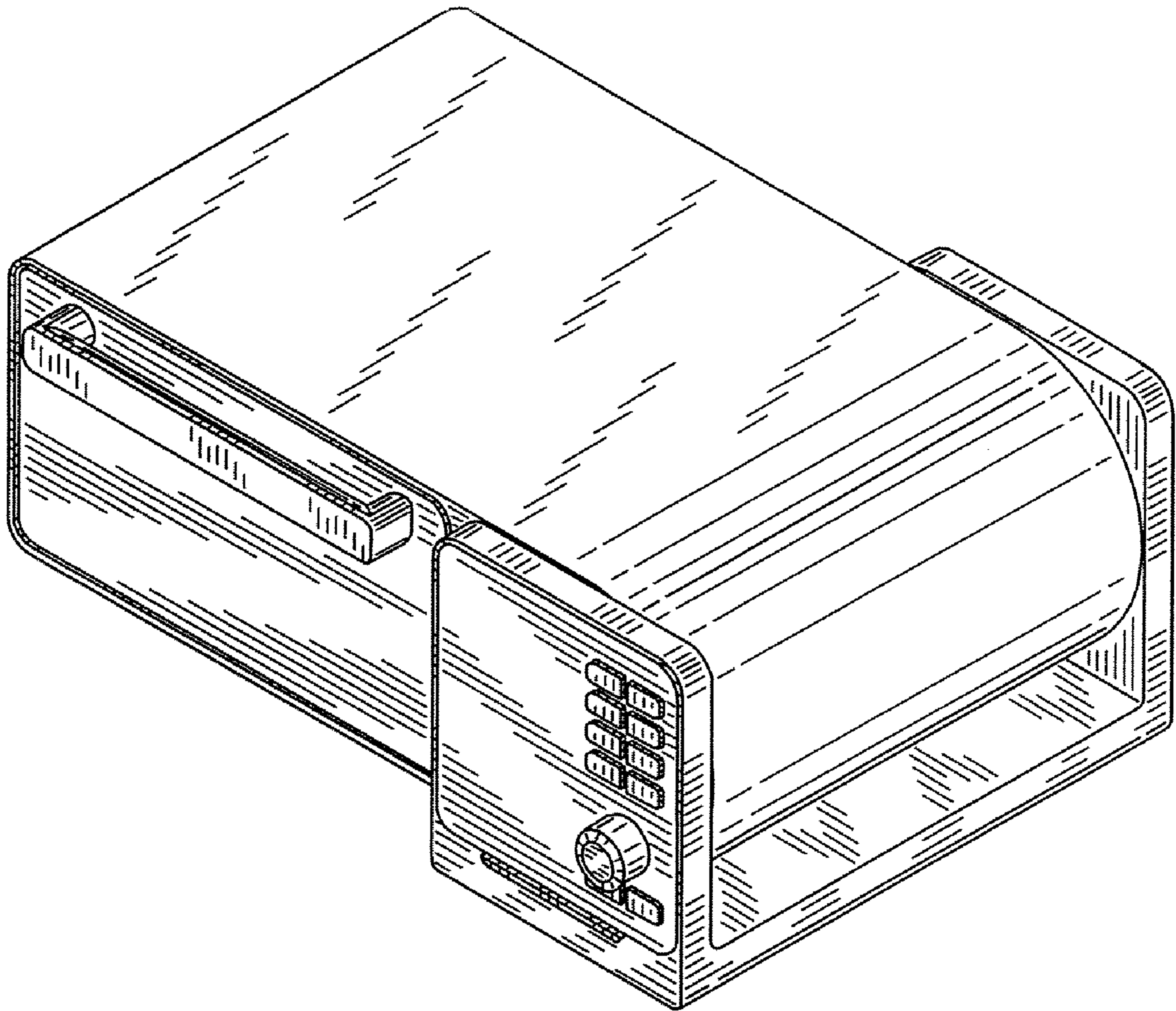


FIG. 1

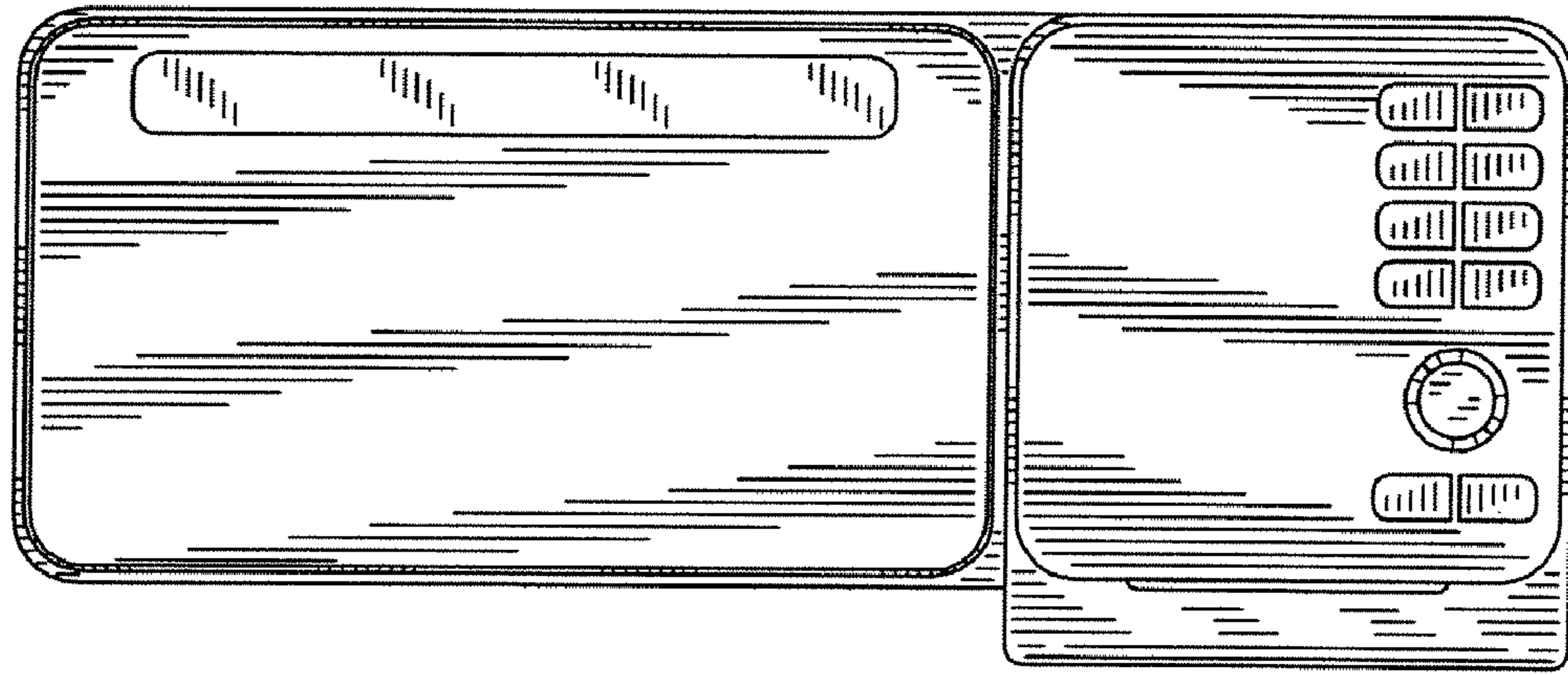


FIG. 2

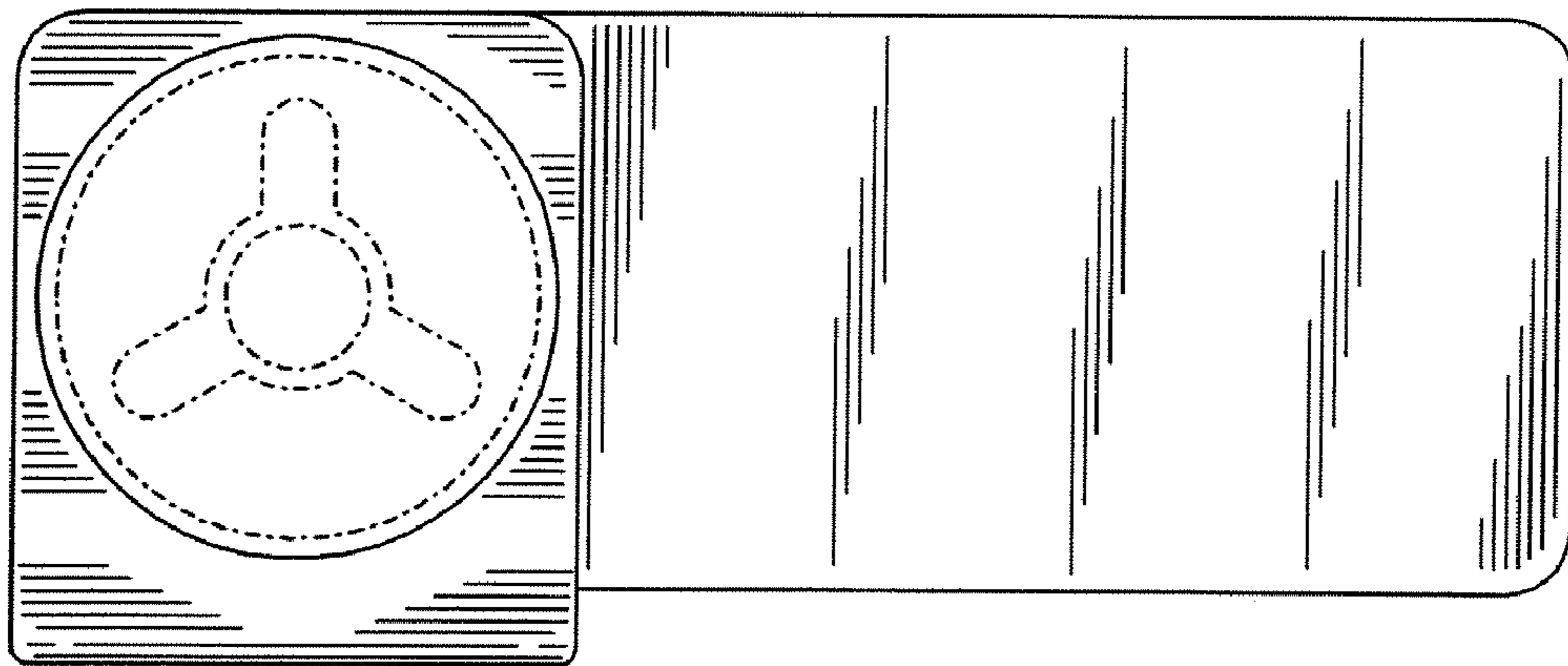


FIG. 3

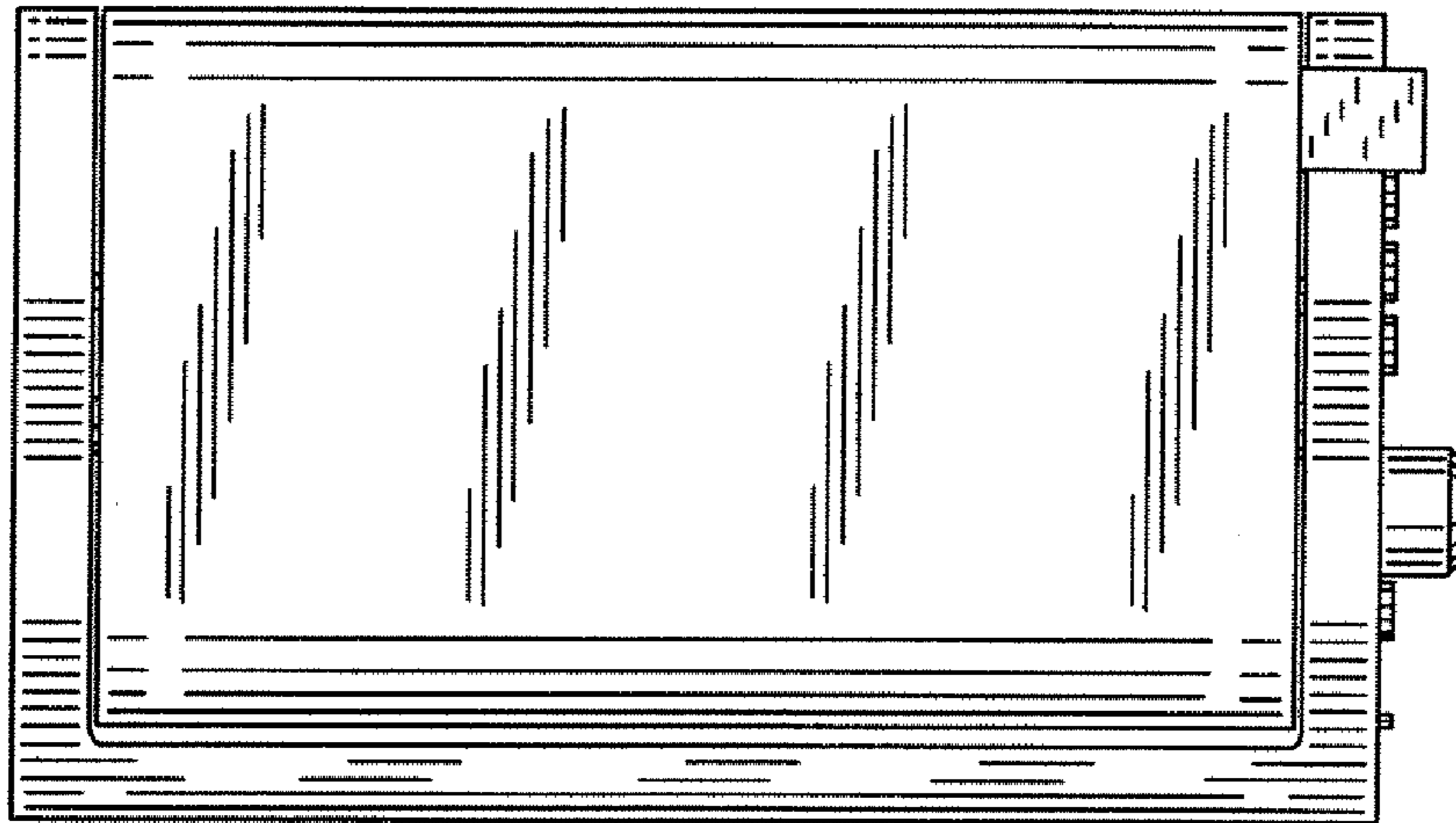


FIG. 4

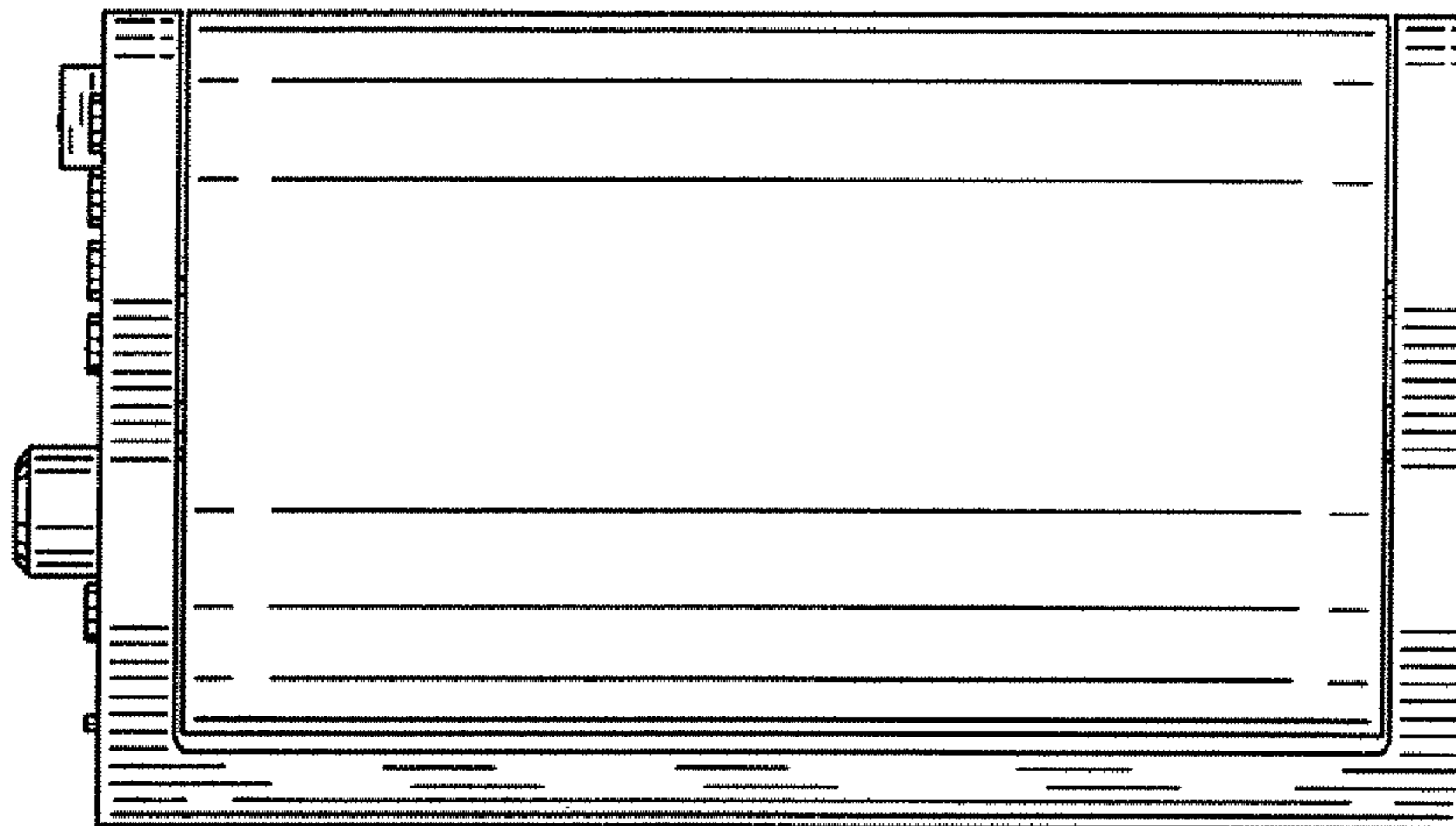


FIG. 5

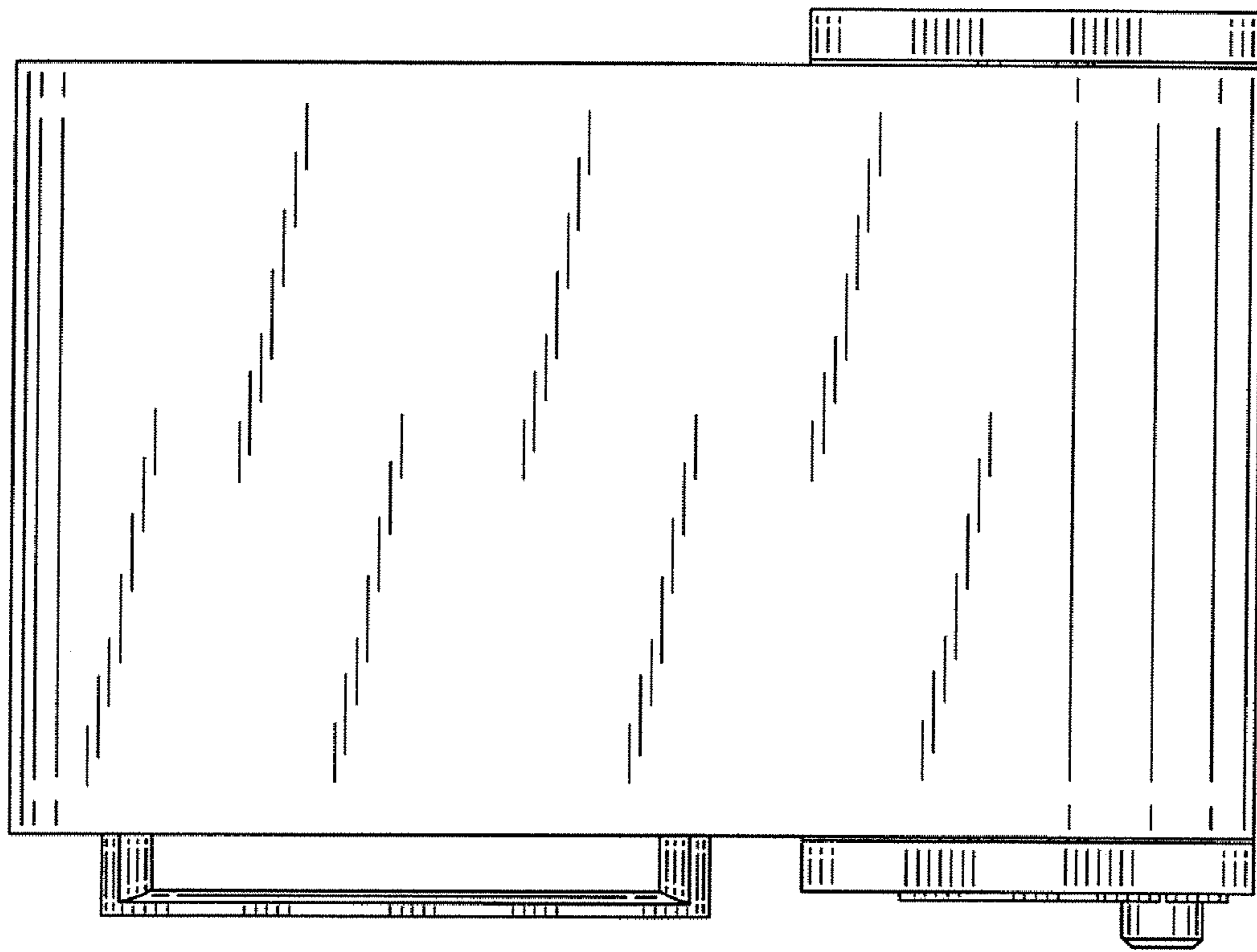


FIG. 6

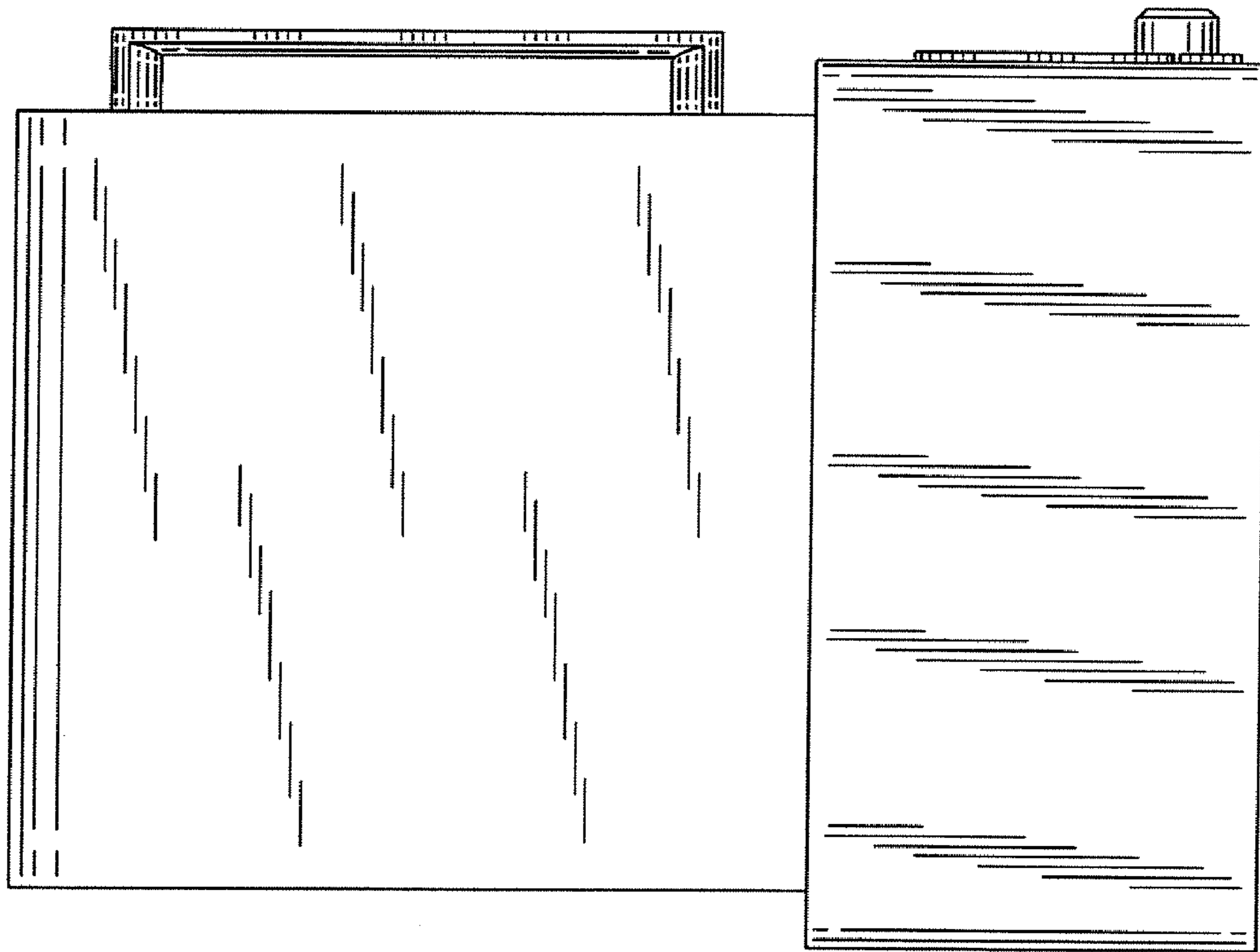


FIG. 7

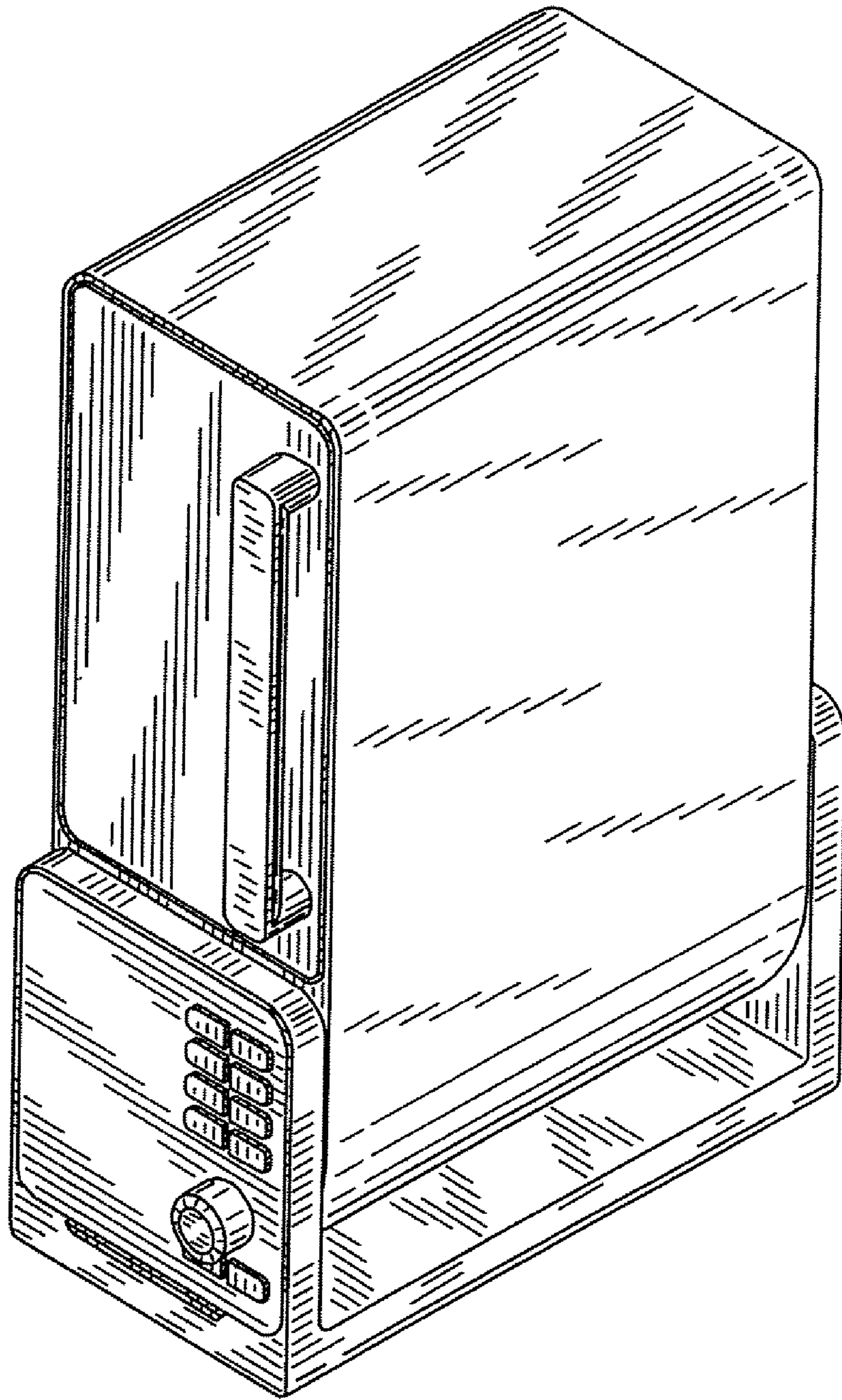


FIG. 8