



US00D614436S

(12) **United States Design Patent**  
**Chung**

(10) **Patent No.:** **US D614,436 S**

(45) **Date of Patent:** **\*\* Apr. 27, 2010**

(54) **BARBECUE GRILL**

(76) **Inventor:** **Kiosky Chung**, No. 72, Chaoguei Rd.,  
Situn District, Taichung City 407 (TW)

(\*\*) **Term:** **14 Years**

(21) **Appl. No.:** **29/344,453**

(22) **Filed:** **Sep. 29, 2009**

(51) **LOC (9) Cl.** ..... **07-02**

(52) **U.S. Cl.** ..... **D7/337**

(58) **Field of Classification Search** ..... D7/332,  
D7/334-337, 402-404; 126/25 R, 41 R,  
126/9 R, 38, 40, 50; 99/481-482

See application file for complete search history.

(56) **References Cited**

**U.S. PATENT DOCUMENTS**

D227,850	S	*	7/1973	Benson	.....	D7/337
D231,183	S	*	4/1974	Avant et al.	.....	D7/337
D251,893	S	*	5/1979	Chan	.....	D7/337
D251,894	S	*	5/1979	Chan	.....	D7/337
D276,303	S	*	11/1984	Chan	.....	D7/337
4,548,192	A	*	10/1985	Hsu	.....	126/25 R
D291,399	S	*	8/1987	Chan	.....	D7/337
D295,818	S	*	5/1988	Chan	.....	D7/332
D450,976	S	*	11/2001	Mosher	.....	D7/337
D469,298	S	*	1/2003	Hinton et al.	.....	D7/332

D479,092	S	*	9/2003	Lewis et al.	.....	D7/332
D504,795	S	*	5/2005	Schulte et al.	.....	D7/337
D514,871	S	*	2/2006	May et al.	.....	D7/337
D576,443	S	*	9/2008	Chung	.....	D7/337
D576,444	S	*	9/2008	Chung	.....	D7/337
D582,716	S	*	12/2008	Averty	.....	D7/337
2005/0241630	A1	*	11/2005	May et al.	.....	126/38

\* cited by examiner

*Primary Examiner*—Ruth McInroy

(74) *Attorney, Agent, or Firm*—Banger Shia

(57) **CLAIM**

I claim the ornamental design for a barbecue grill, as shown and described.

**DESCRIPTION**

FIG. 1 is a perspective view of a barbecue grill, showing my new design;

FIG. 2 is a front elevational view thereof;

FIG. 3 is a rear elevational view thereof;

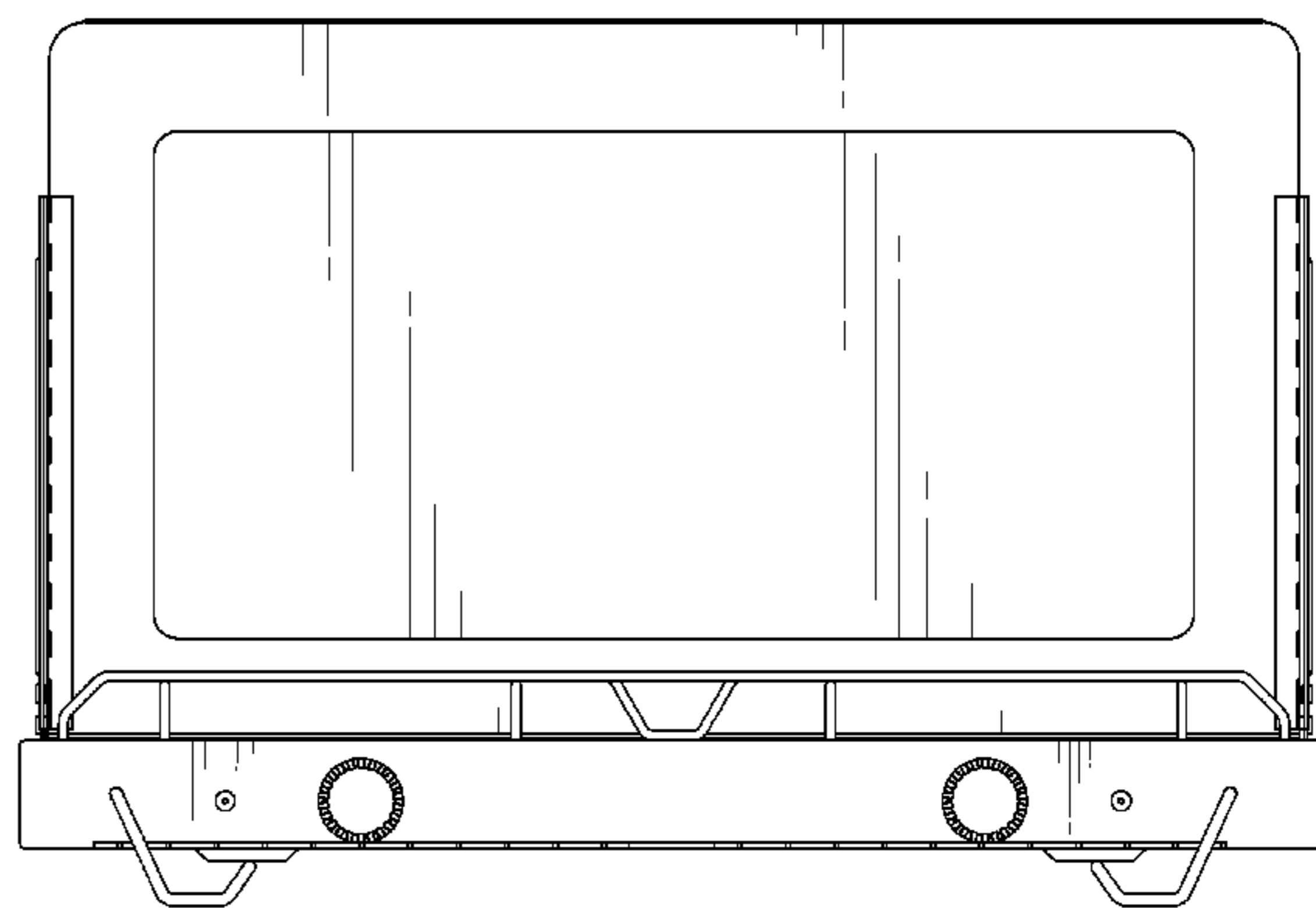
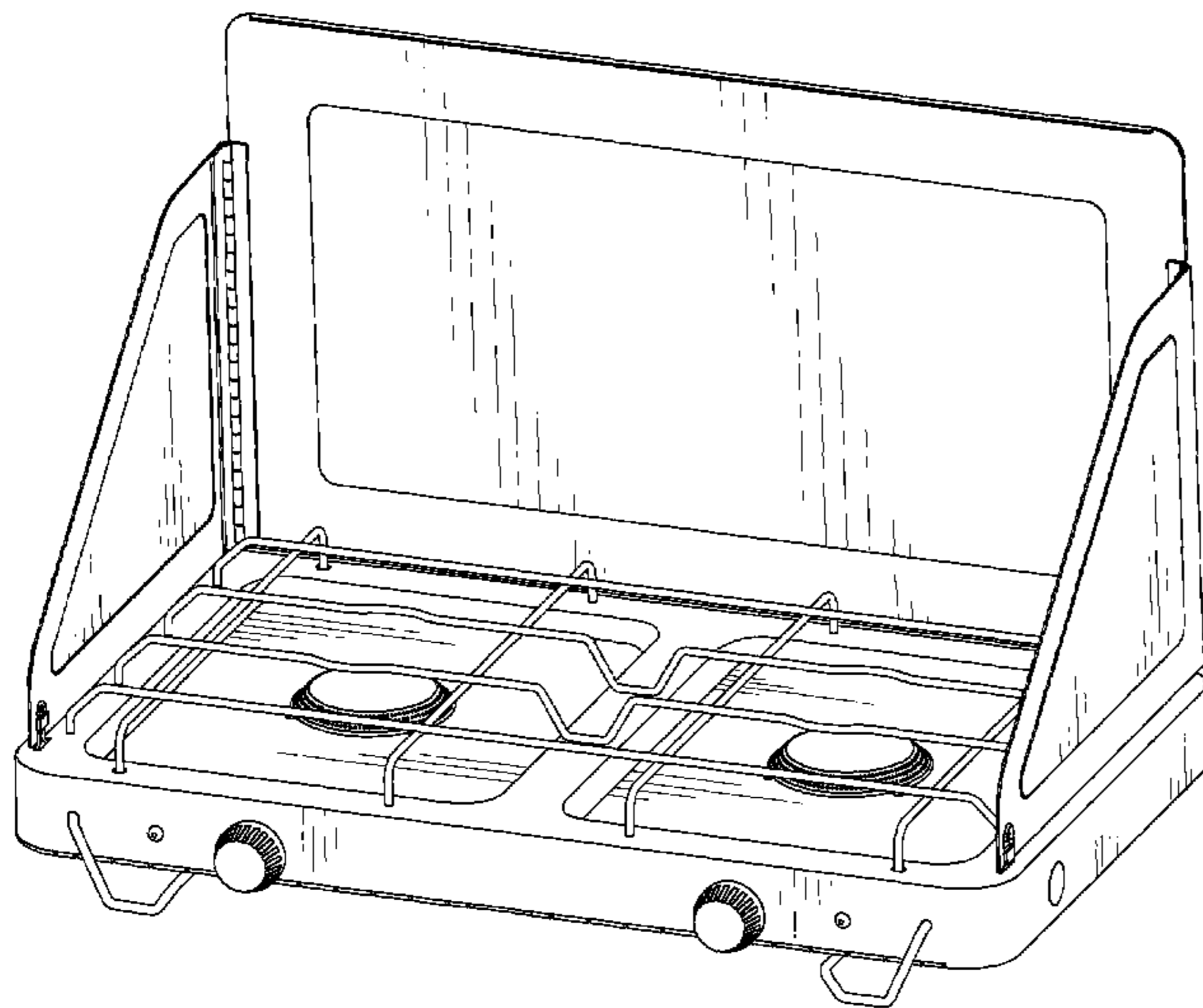
FIG. 4 is a left side elevational view thereof;

FIG. 5 is a right side elevational view thereof;

FIG. 6 is a top plan view thereof; and,

FIG. 7 is a bottom plan view thereof.

**1 Claim, 7 Drawing Sheets**



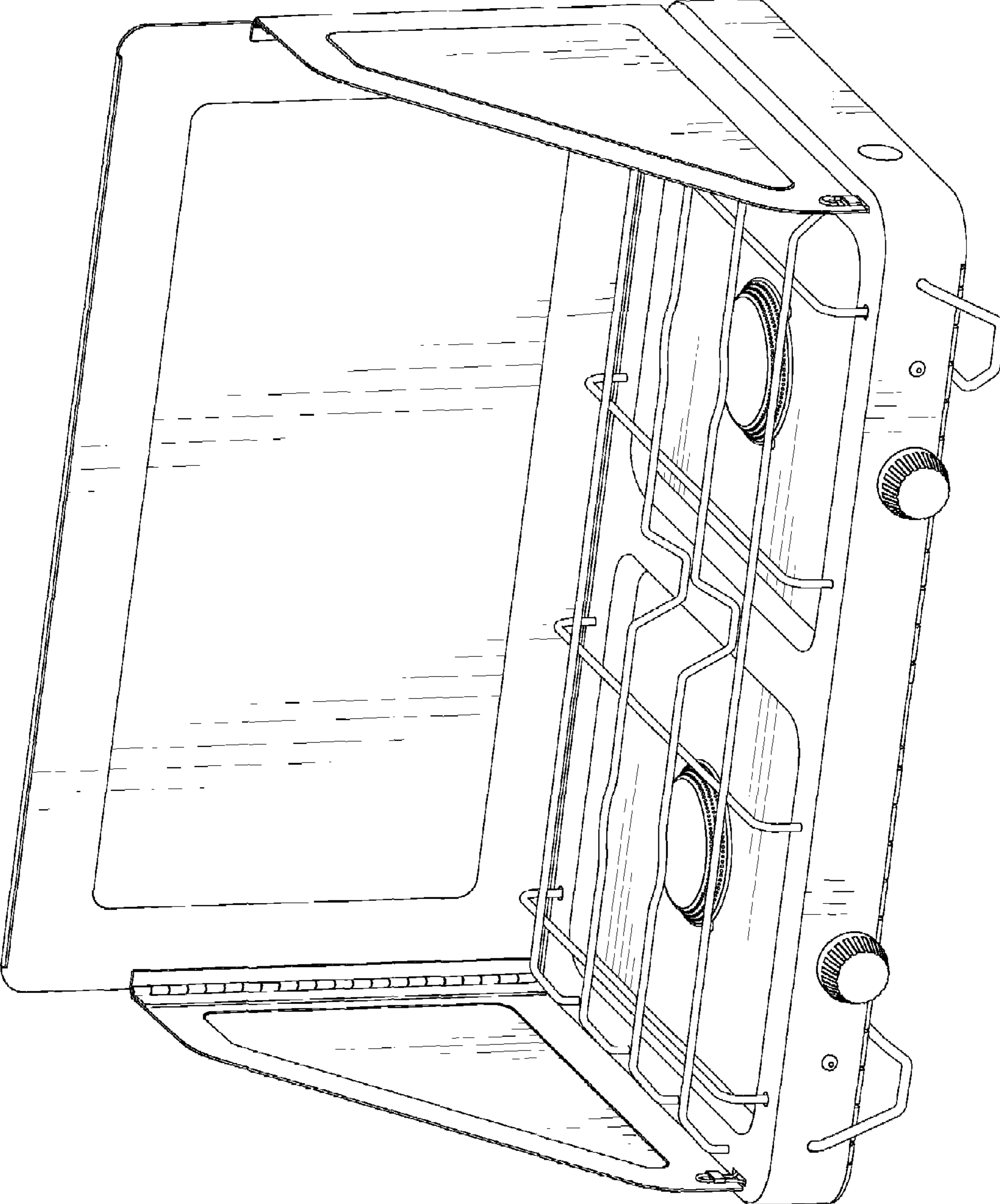


FIG. 1

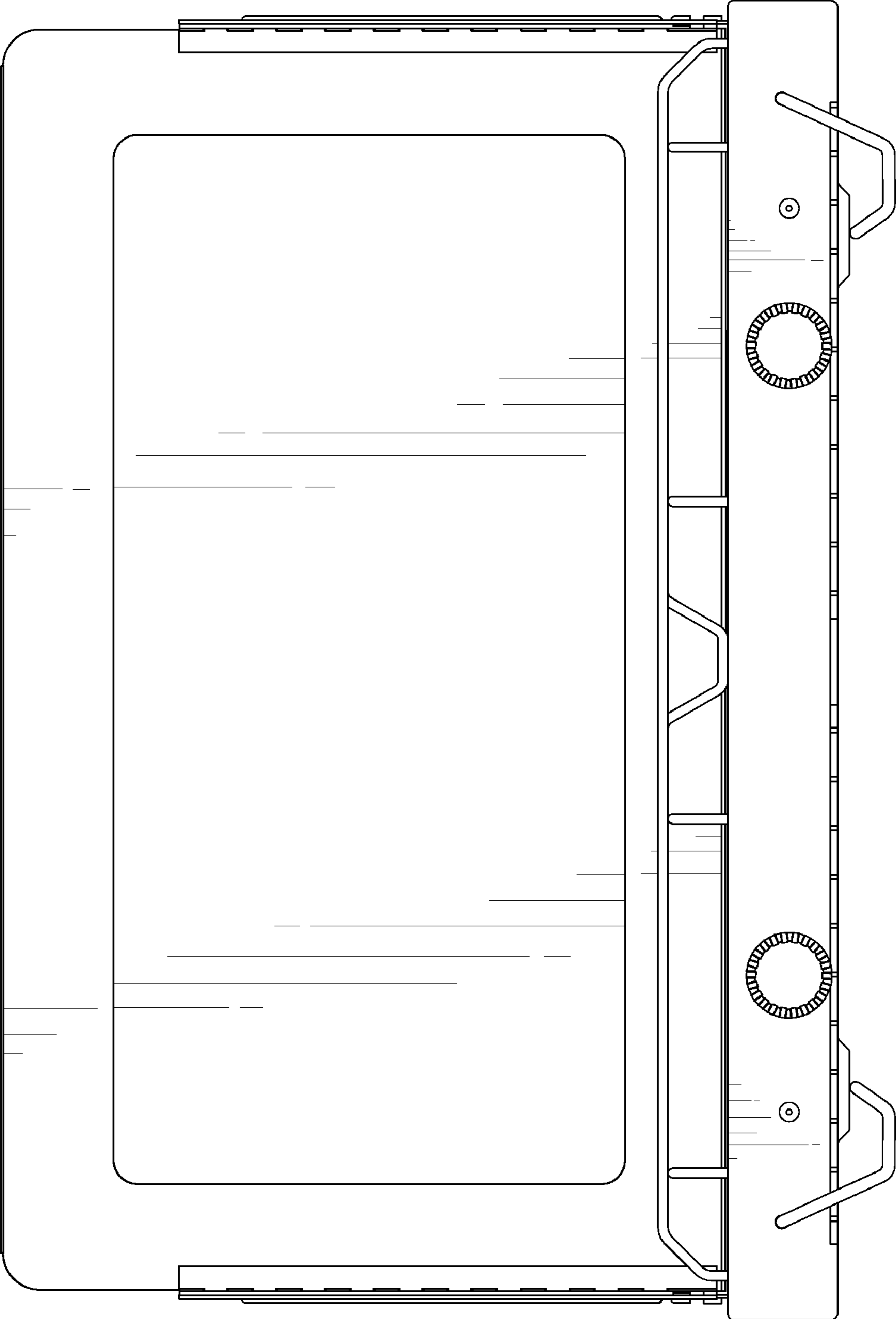


FIG. 2

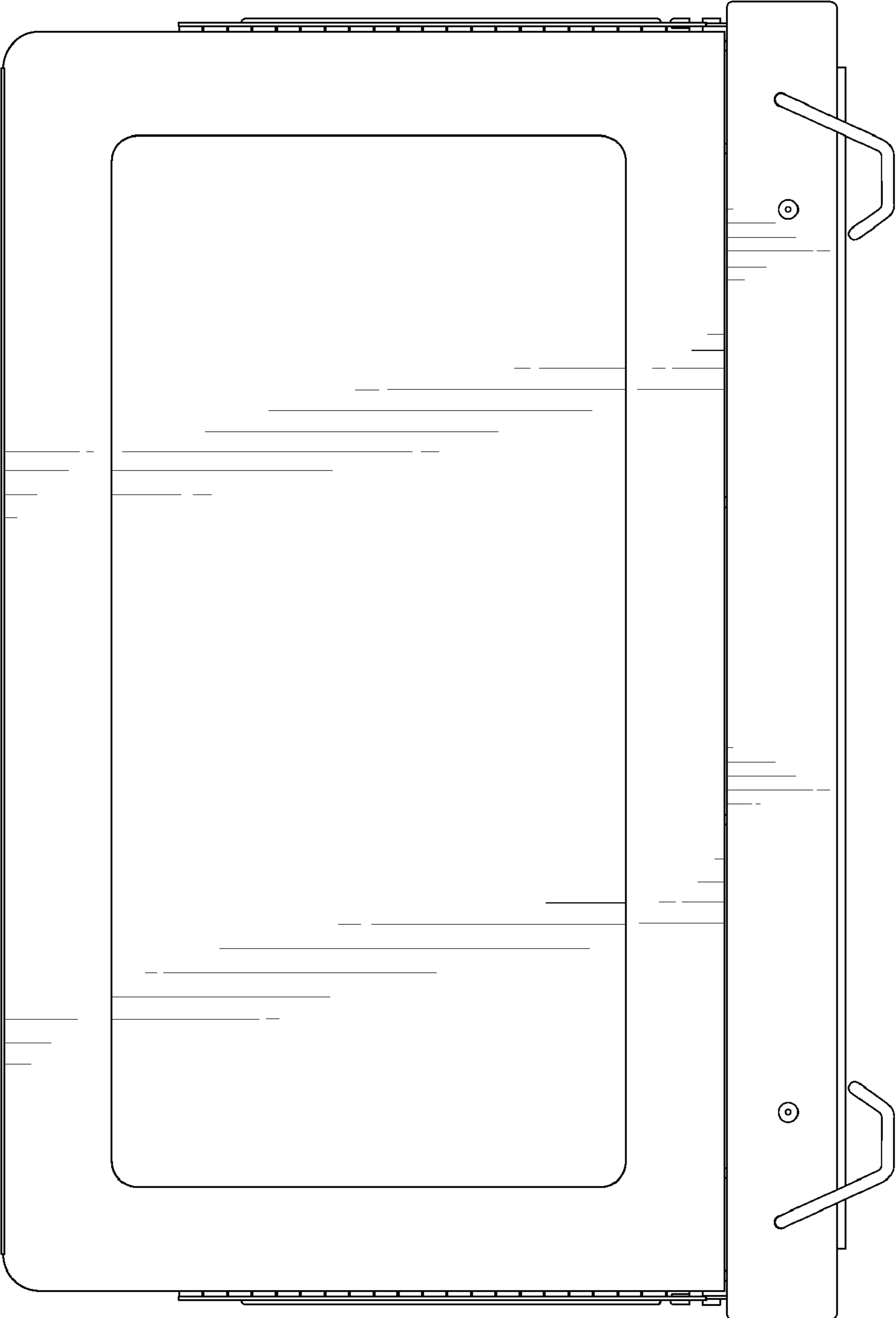


FIG. 3

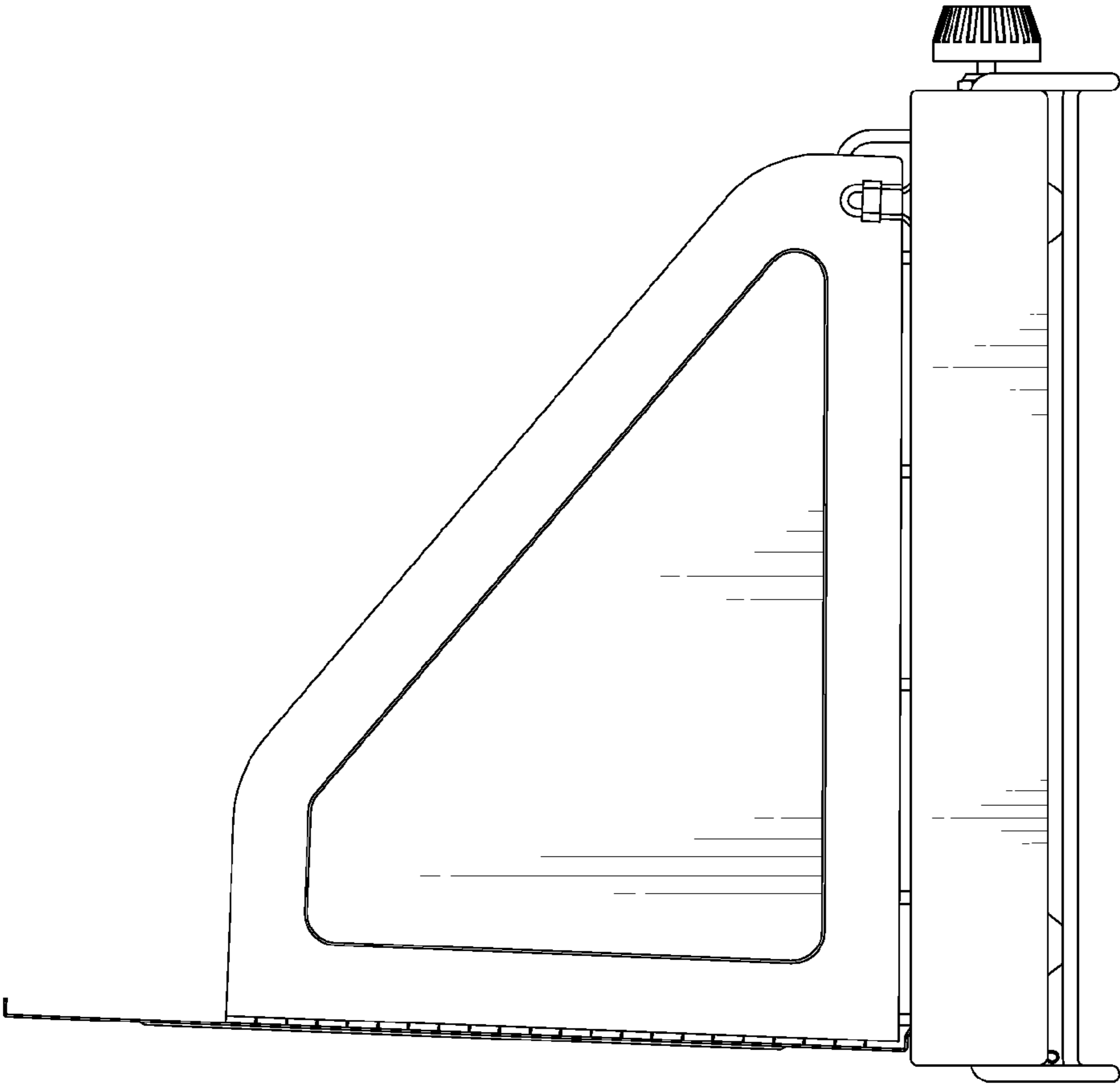


FIG. 4

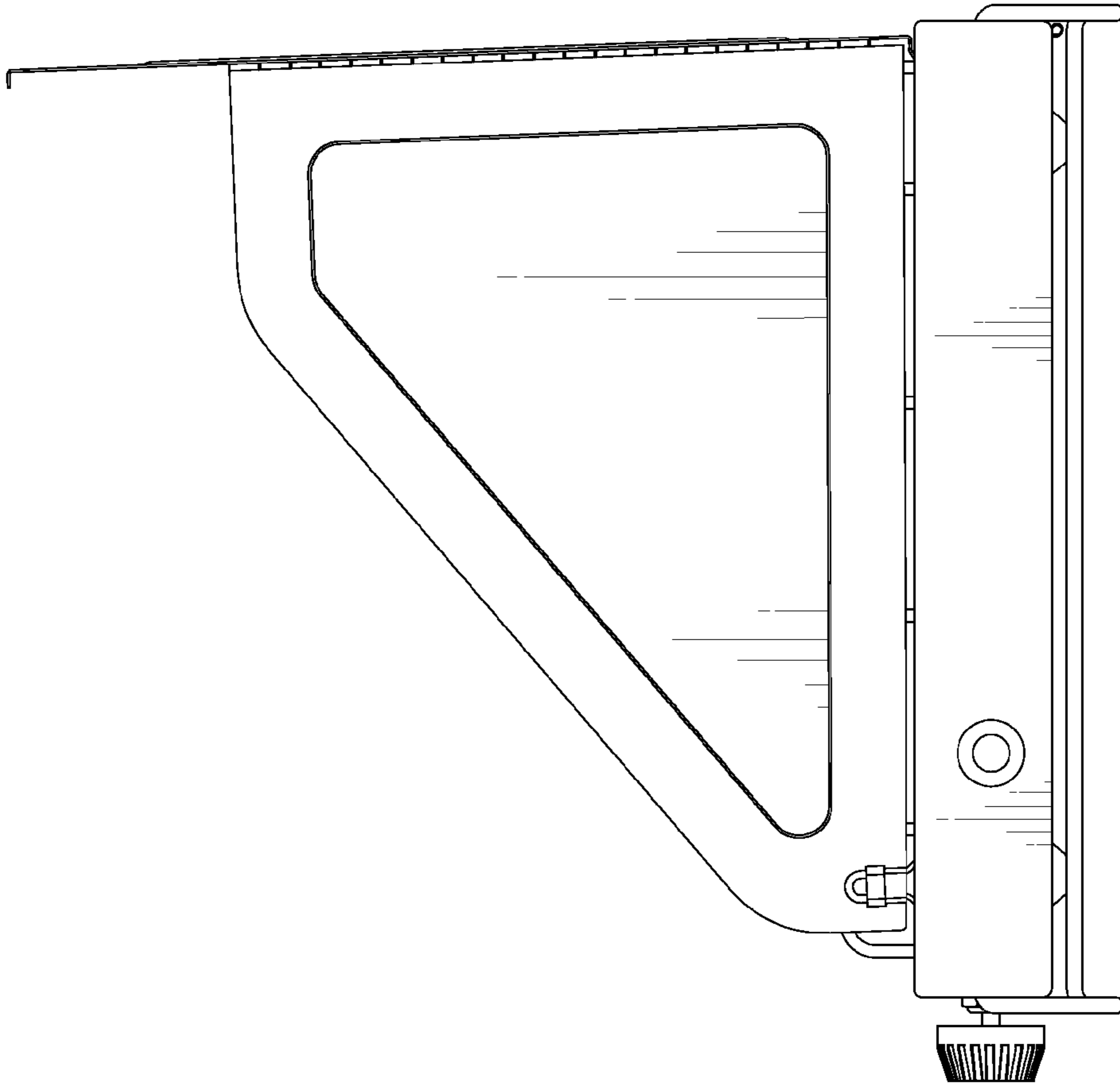


FIG. 5

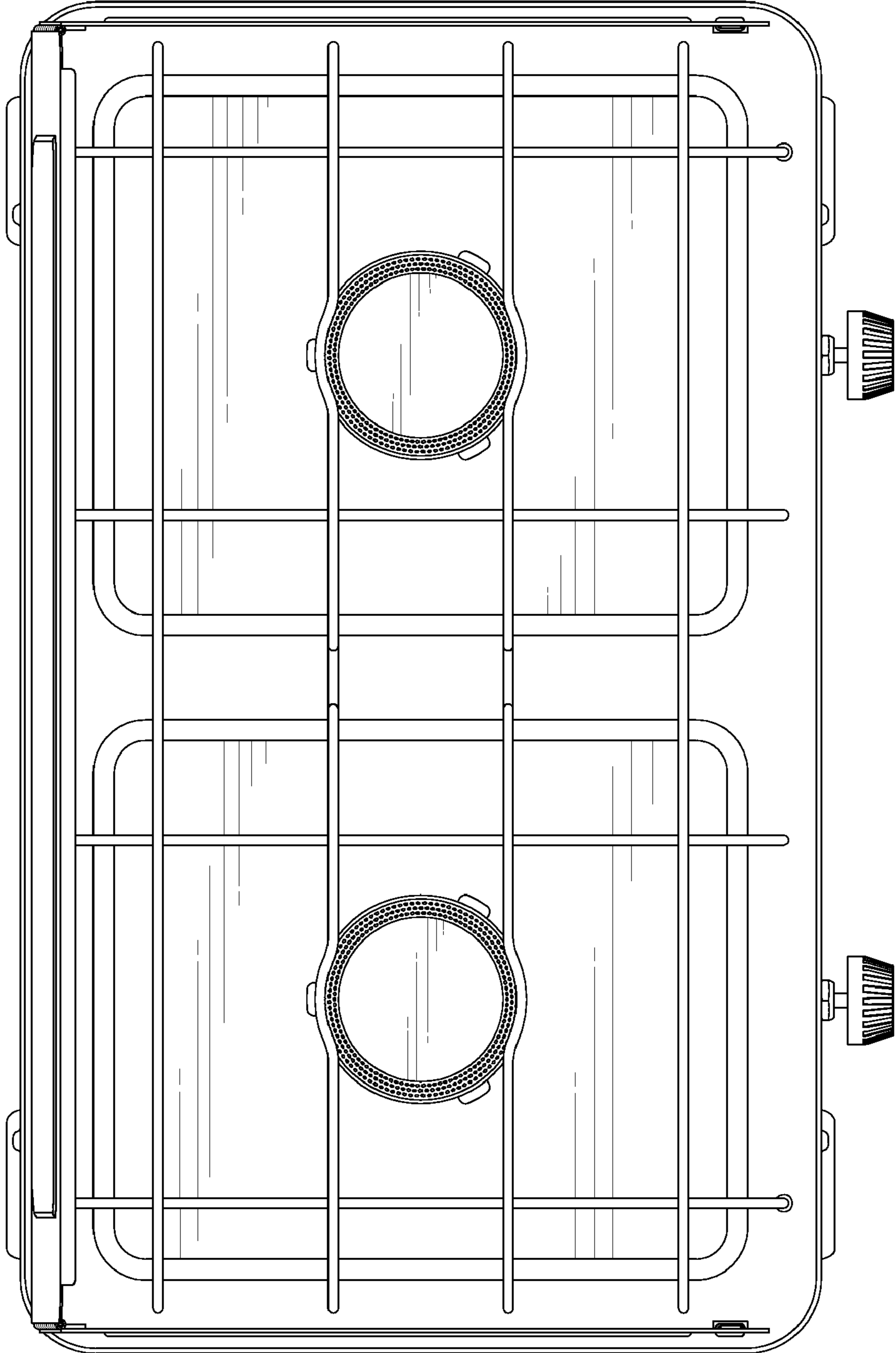


FIG. 6

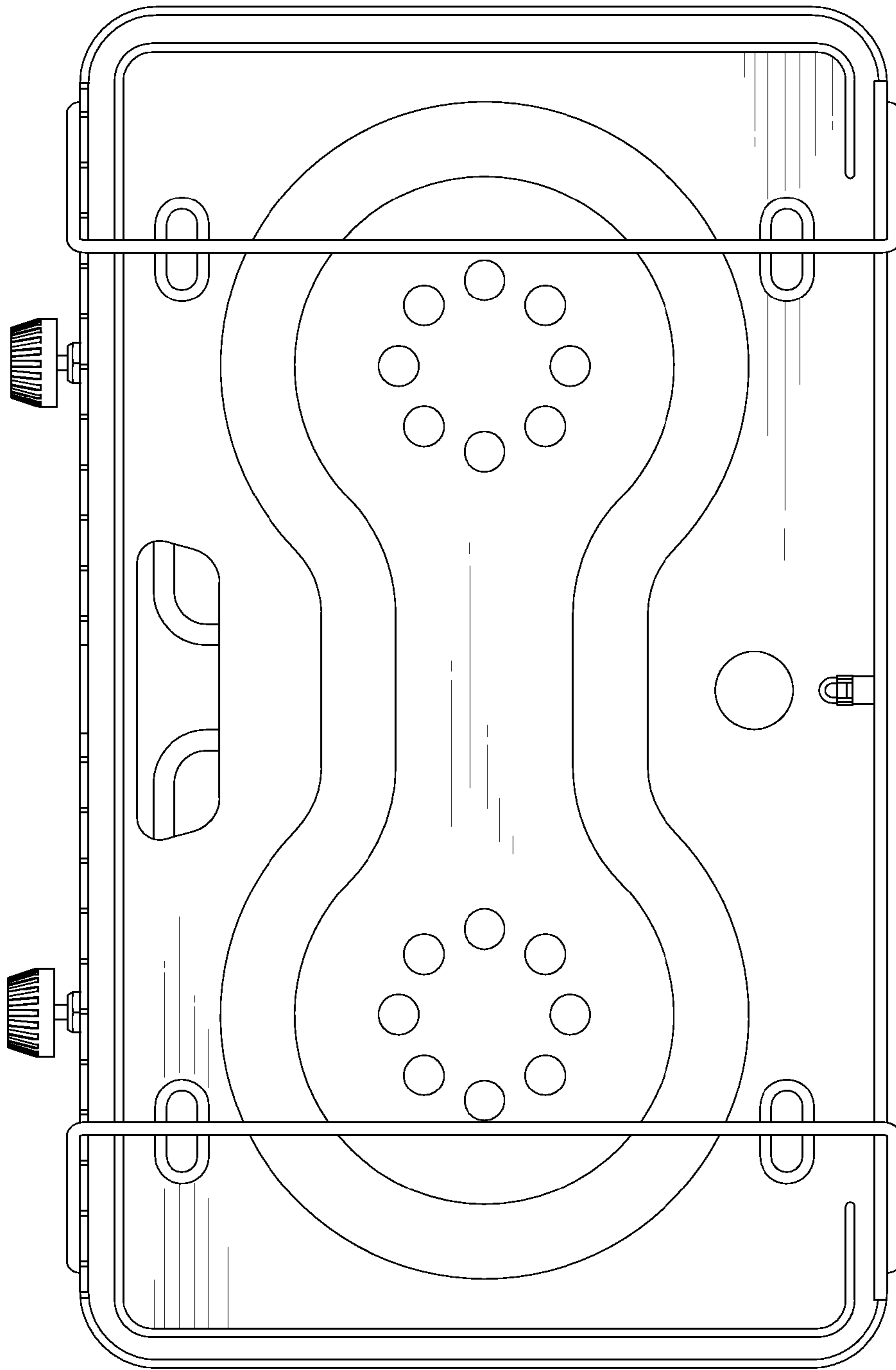


FIG. 7