



US00D614434S

(12) **United States Design Patent**  
**Proffitt et al.**

(10) **Patent No.:** **US D614,434 S**  
(45) **Date of Patent:** **\*\* Apr. 27, 2010**

(54) **GAS GRILL**

(75) Inventors: **Mark Proffitt**, Greeneville, TN (US);  
**Devin Lee Moore**, Decatur, GA (US);  
**Collin Sobczynski Farill**, Decatur, GA (US)

(73) Assignee: **Meco Corporation**, Greeneville, TN (US)

(\*\*) Term: **14 Years**

(21) Appl. No.: **29/333,547**

(22) Filed: **Mar. 11, 2009**

**Related U.S. Application Data**

(62) Division of application No. 29/299,821, filed on Jan. 4, 2008.

(51) **LOC (9) Cl.** ..... **07-02**

(52) **U.S. Cl.** ..... **D7/334**

(58) **Field of Classification Search** ..... D7/332-337,  
D7/402-405, 352, 353; 126/519, 25 R, 25 A,  
126/25 AA, 41 R, 29, 30, 9 R, 38, 37 R, 40,  
126/50, 250; 99/444-445, 448, 481-482,  
99/372, 375, 250, 389

See application file for complete search history.

(56) **References Cited**

**U.S. PATENT DOCUMENTS**

D406,489 S \* 3/1999 Williams et al. .... D7/334  
D521,308 S \* 5/2006 Tseng ..... D7/334  
D549,511 S \* 8/2007 Chung ..... D7/334  
D566,456 S \* 4/2008 Proffitt ..... D7/334

D569,168 S \* 5/2008 Pai ..... D7/334  
D571,142 S \* 6/2008 Chung ..... D7/334  
D571,604 S \* 6/2008 Chung ..... D7/334  
D571,605 S \* 6/2008 Chung ..... D7/334

\* cited by examiner

*Primary Examiner*—Ruth McInroy

(74) *Attorney, Agent, or Firm*—McGuireWoods LLP

(57) **CLAIM**

We claim the ornamental design for a gas grill, as shown and described.

**DESCRIPTION**

FIG. 1 is a top view of a first embodiment of a gas grill showing our new design;

FIG. 2 is a side view of the gas grill shown in FIG. 1;

FIG. 3 is a front view of the gas grill shown in FIG. 1;

FIG. 4 is a front perspective view of the gas grill shown in FIG. 1;

FIG. 5 is a front view of a second embodiment thereof;

FIG. 6 is a side view of the gas grill shown in FIG. 5;

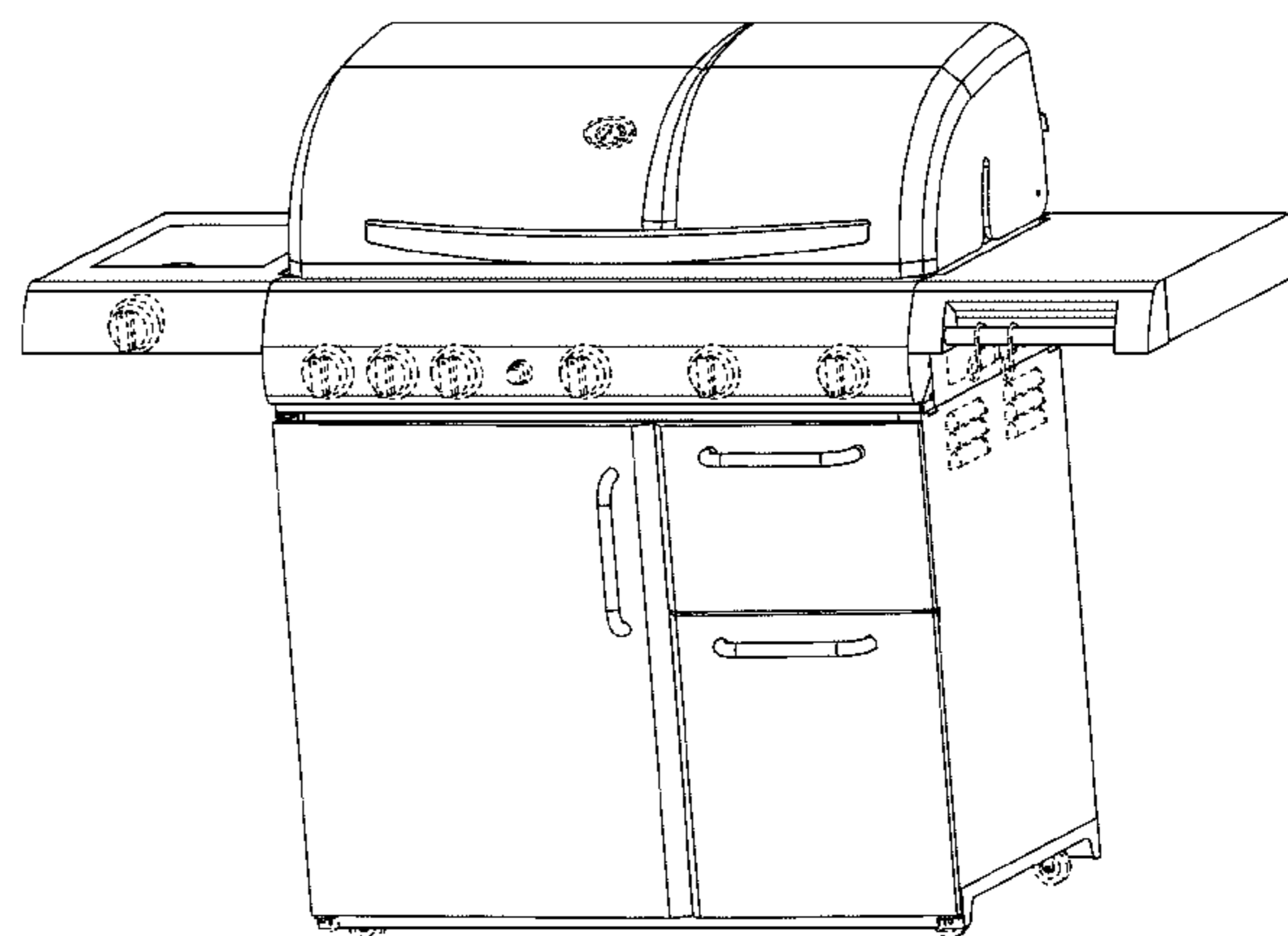
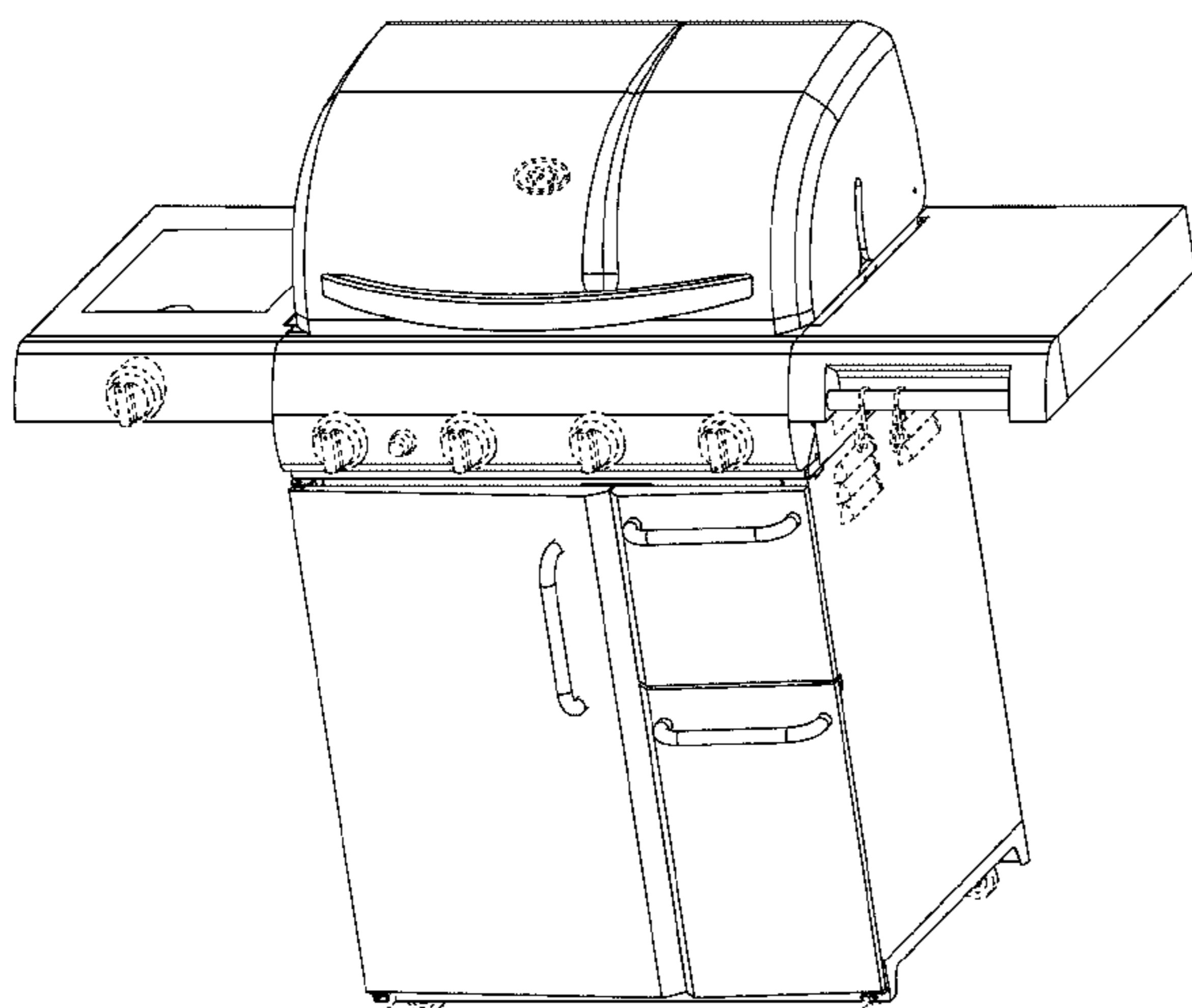
FIG. 7 is a top view of the gas grill shown in FIG. 5; and,

FIG. 8 is a front perspective view of the gas grill shown in FIG. 5.

The details shown in broken lines form no part of the claimed design.

The design may be made of metal and/or synthetic material and may be painted and/or colored with various features.

**1 Claim, 8 Drawing Sheets**



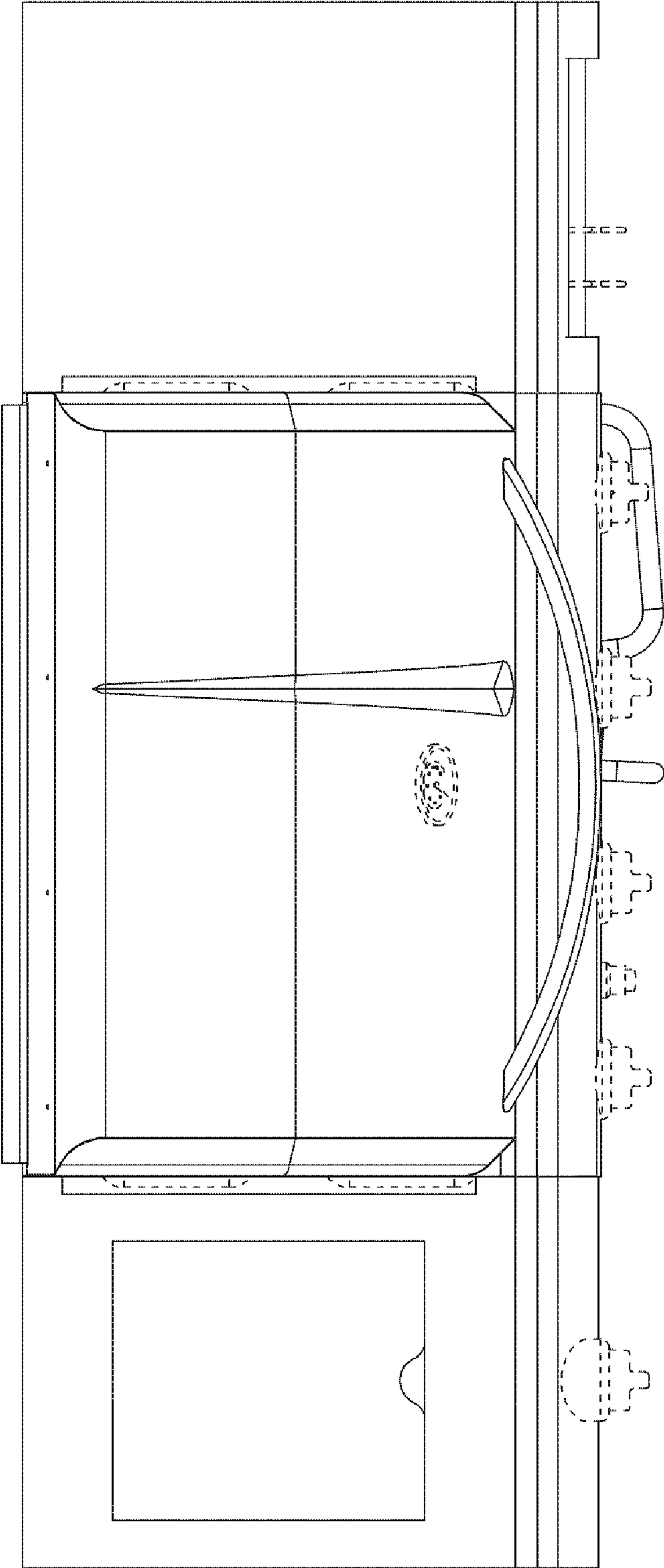


FIG. 1

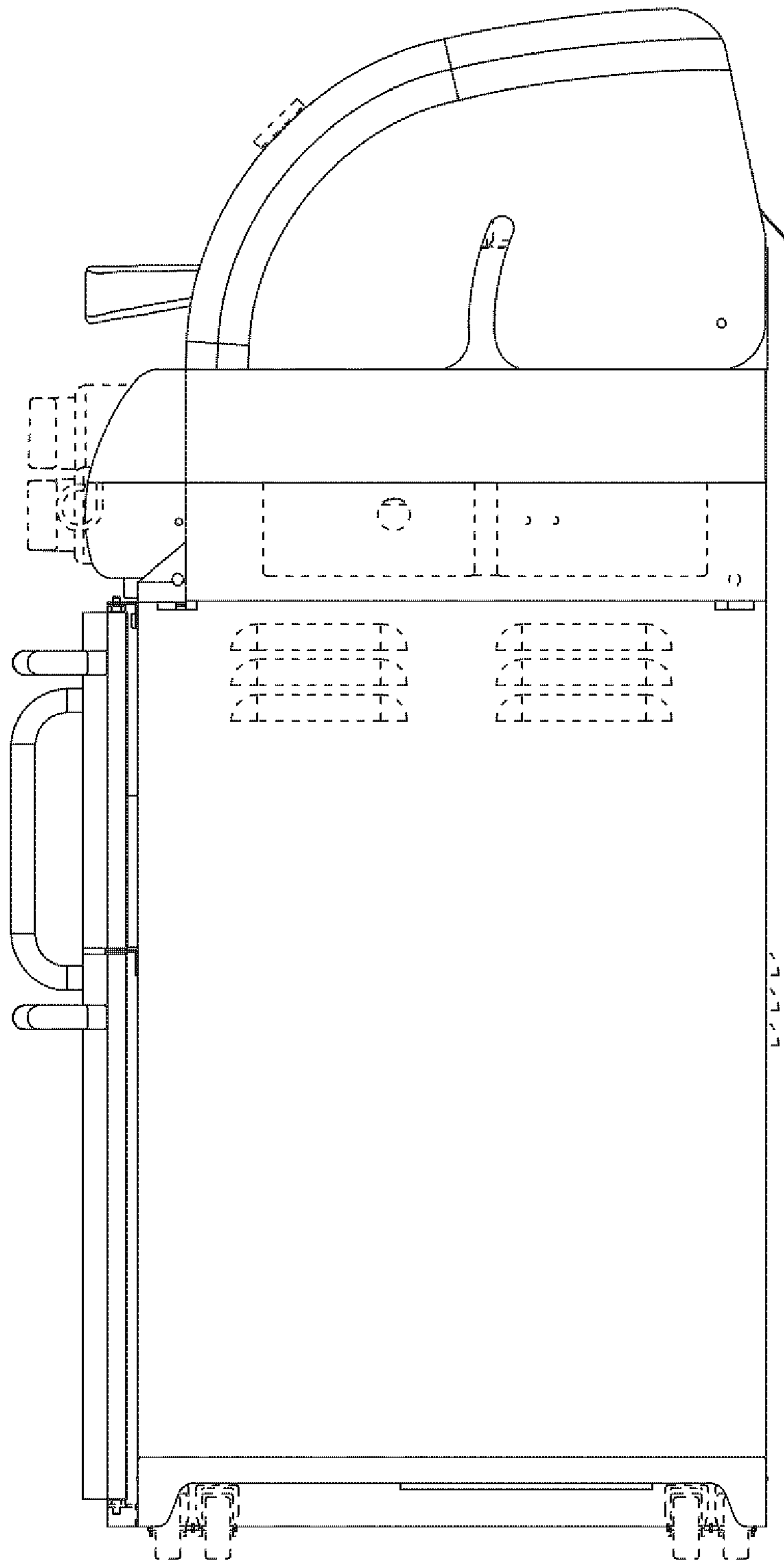


FIG. 2

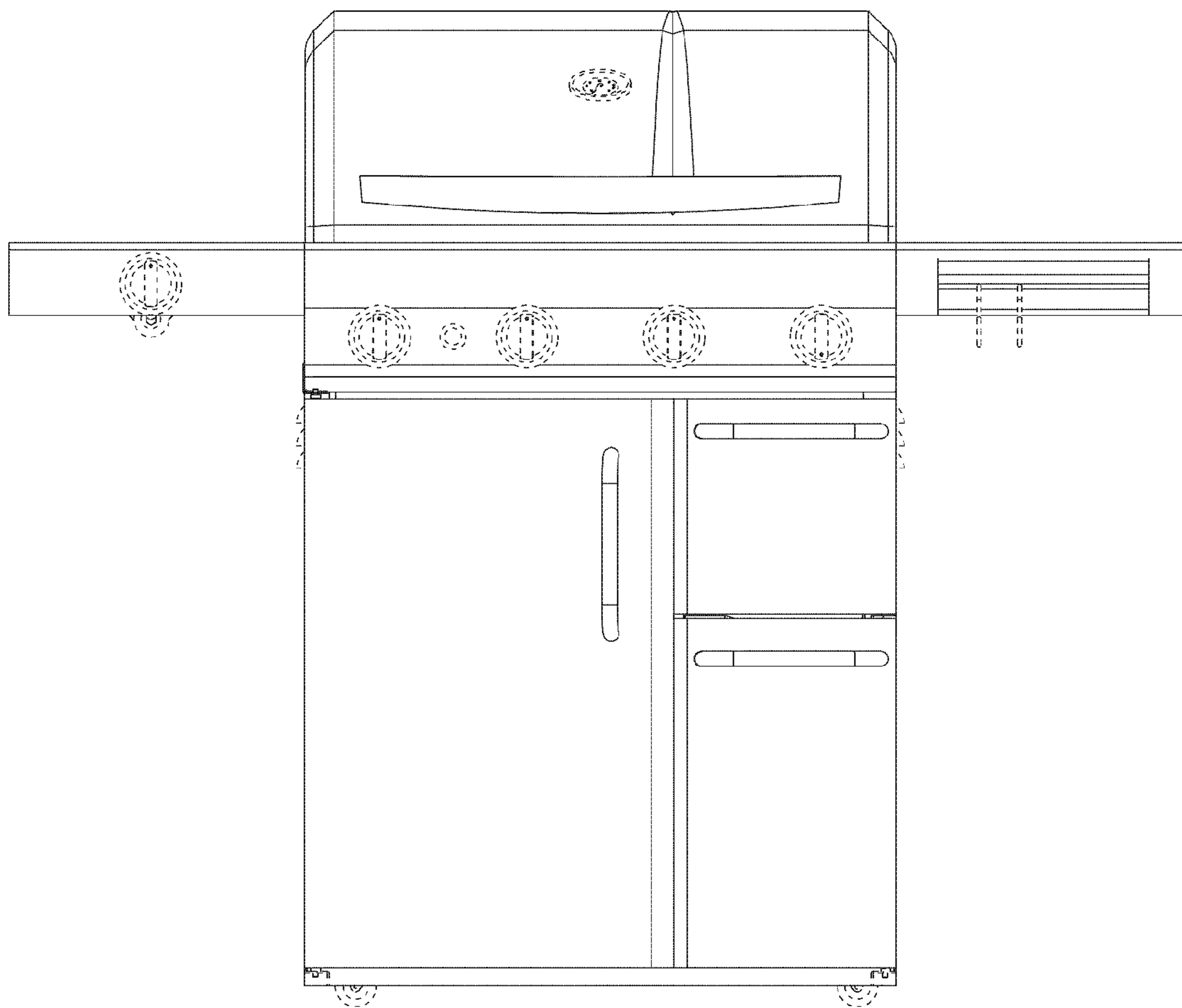


FIG. 3

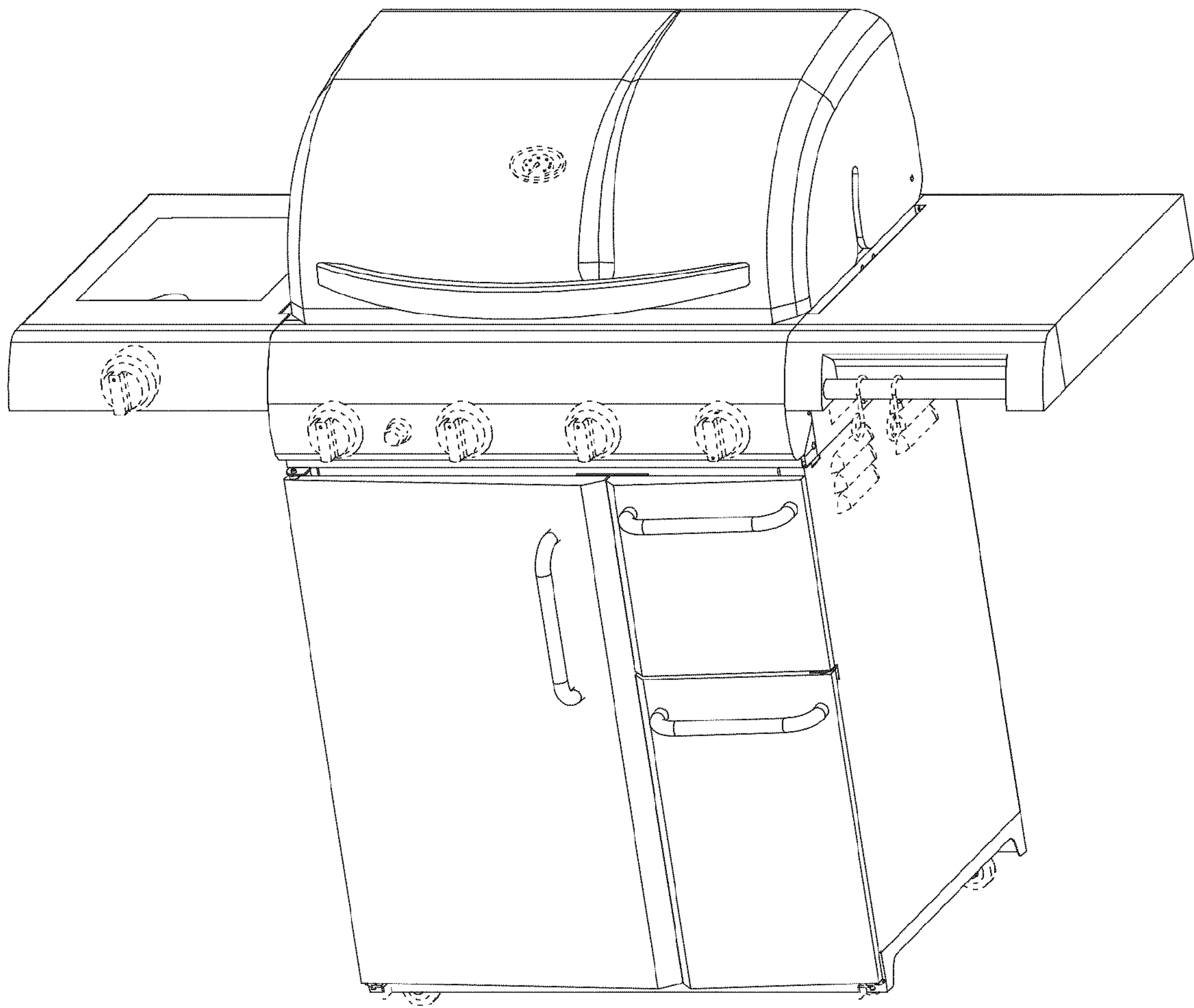


FIG. 4

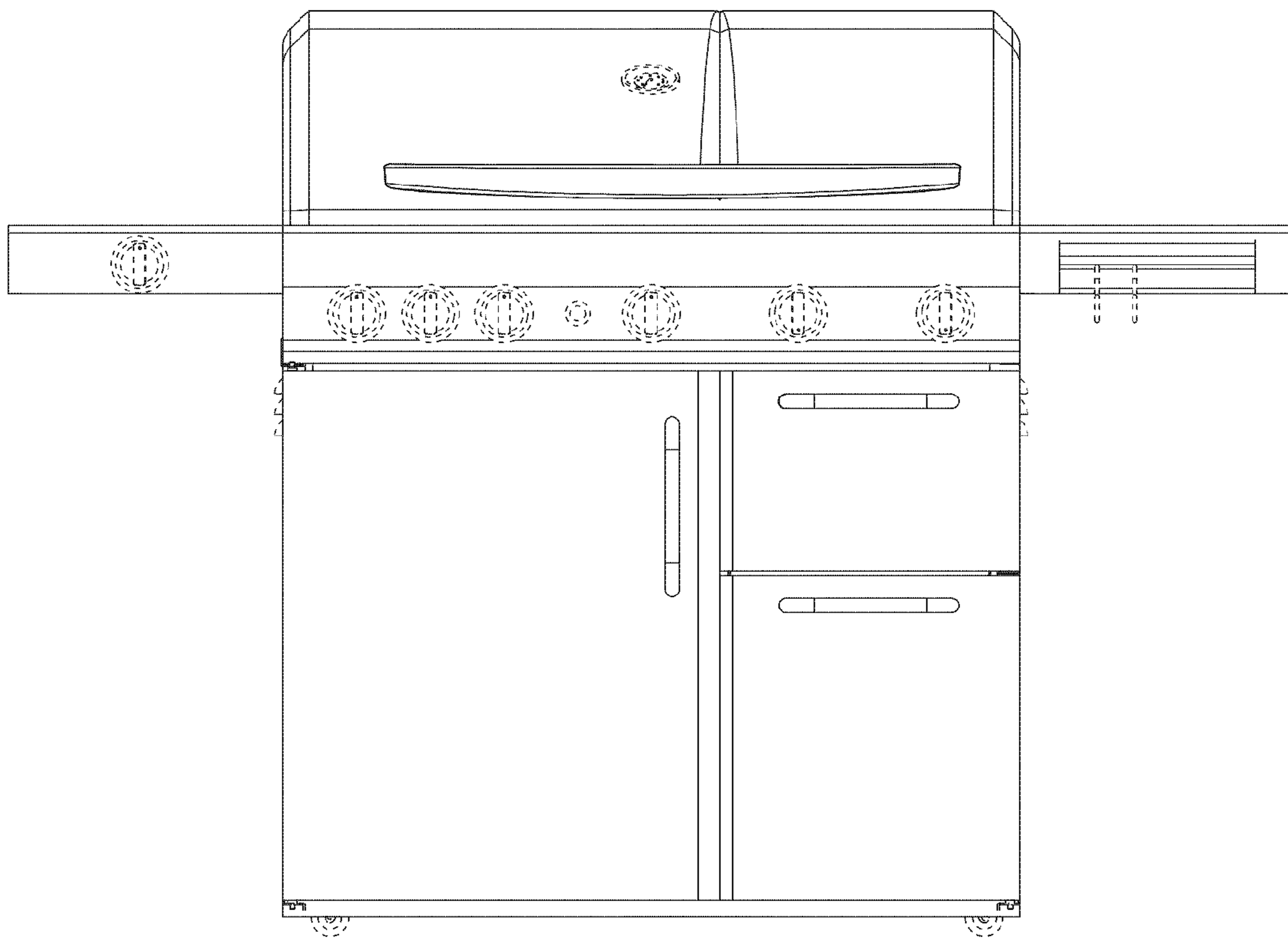


FIG. 5

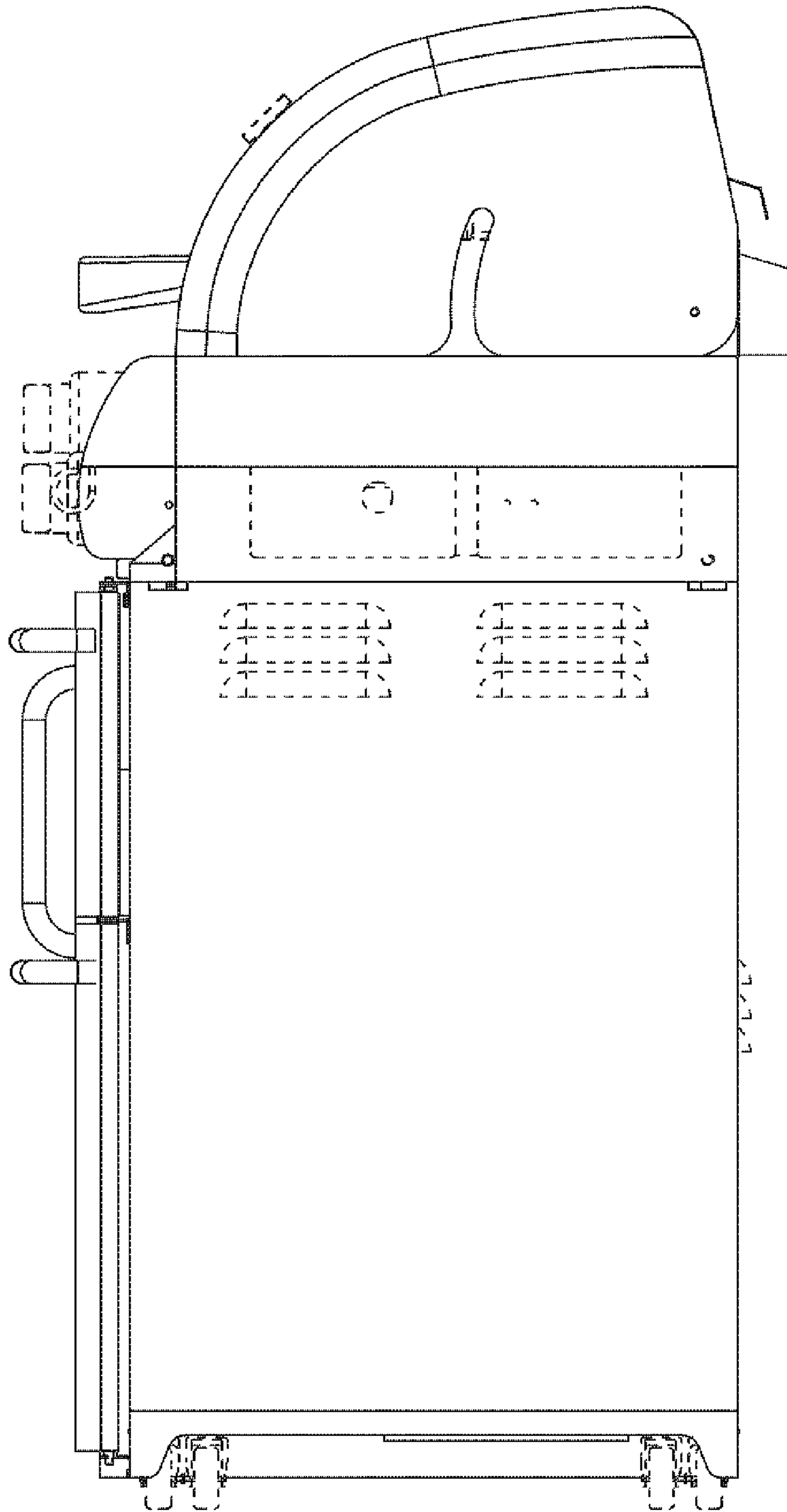


FIG. 6

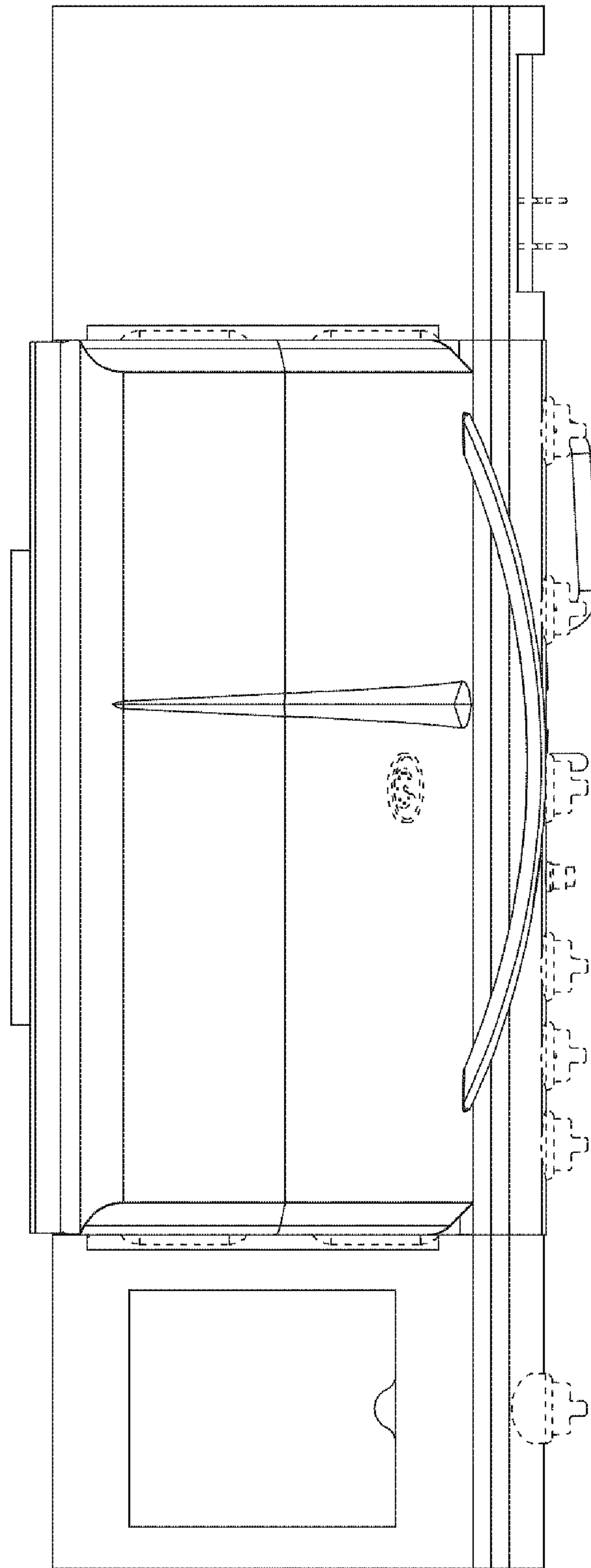


FIG. 7





FIG. 8