



US00D614432S

(12) **United States Design Patent**
Liao et al.

(10) **Patent No.:** **US D614,432 S**
(45) **Date of Patent:** **** Apr. 27, 2010**

(54) **PORTABLE ESPRESSO MAKER**
(75) Inventors: **Yi-Chun Liao**, San Jose, CA (US);
Benjamin Pei-Ming Chia, San Jose, CA
(US); **Stephen Hooper**, Los Gatos, CA
(US)

(73) Assignee: **Espressi, Inc.**, San Jose, CA (US)

(**) Term: **14 Years**

(21) Appl. No.: **29/334,074**

(22) Filed: **Mar. 19, 2009**

(51) **LOC (9) Cl.** **07-01**

(52) **U.S. Cl.** **D7/300; D7/399; D7/309**

(58) **Field of Classification Search** **D7/400,**
D7/399, 401, 309, 300, 397, 373; 99/319,
99/323, 302

See application file for complete search history.

(56) **References Cited**

U.S. PATENT DOCUMENTS

| | | | | | |
|-----------|------|---------|---------------|-------|---------|
| 1,722,946 | A * | 7/1929 | Raffa | | 210/471 |
| 4,497,243 | A * | 2/1985 | Cavalli | | 99/323 |
| D353,296 | S * | 12/1994 | Assmann | | D7/309 |
| D393,568 | S * | 4/1998 | Storsberg | | D7/400 |
| 6,044,754 | A * | 4/2000 | Fuentes | | 99/295 |
| 6,192,786 | B1 * | 2/2001 | Gasser et al. | | 99/319 |
| D439,799 | S * | 4/2001 | Kwok | | D7/400 |

| | | | | | |
|----------|-----|--------|------------------|-------|--------|
| D501,751 | S * | 2/2005 | Lin | | D7/309 |
| D502,053 | S * | 2/2005 | Bodum | | D7/400 |
| D523,690 | S * | 6/2006 | Giannone | | D7/395 |
| D523,691 | S * | 6/2006 | Greenwood et al. | | D7/400 |
| D548,507 | S * | 8/2007 | Jacquet et al. | | D7/309 |
| D588,855 | S * | 3/2009 | Jacquet et al. | | D7/309 |

* cited by examiner

Primary Examiner—Marianne Pandozzi

(74) *Attorney, Agent, or Firm*—Schein & Cai LLP; James Cai

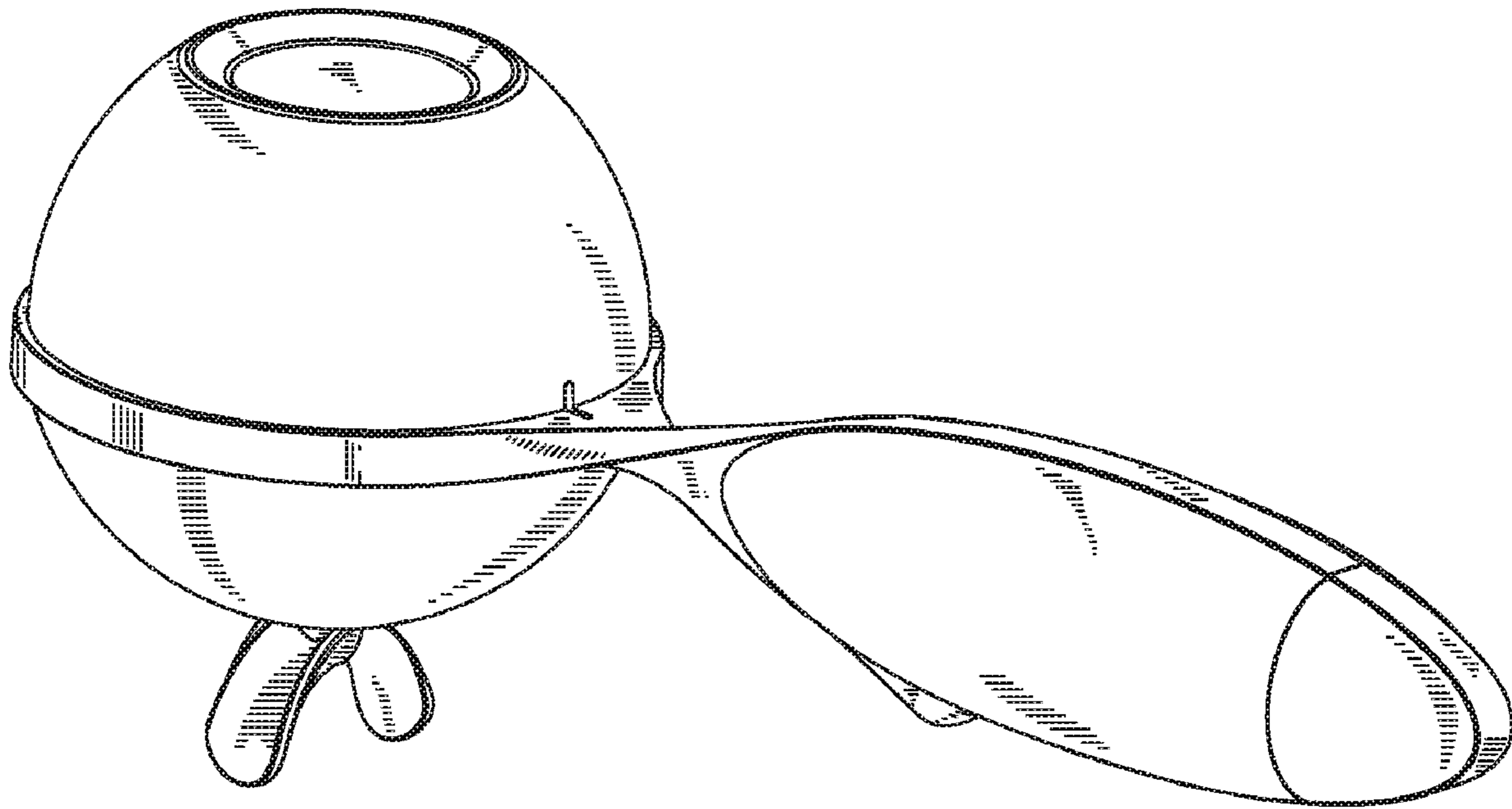
(57) **CLAIM**

The ornamental design for a portable espresso maker, as shown and described.

DESCRIPTION

FIG. 1 is a perspective view of the portable espresso maker. FIG. 2 is a right side view of the portable espresso maker. FIG. 3 is a left side view of the portable espresso maker. FIG. 4 is a rear view of the portable espresso maker. FIG. 5 is a front view of the portable espresso maker. FIG. 6 is a top plan view of the portable espresso maker; and, FIG. 7 is a bottom plan view of the portable espresso maker. The article in which the design is embodied is for use in making espresso.

1 Claim, 3 Drawing Sheets



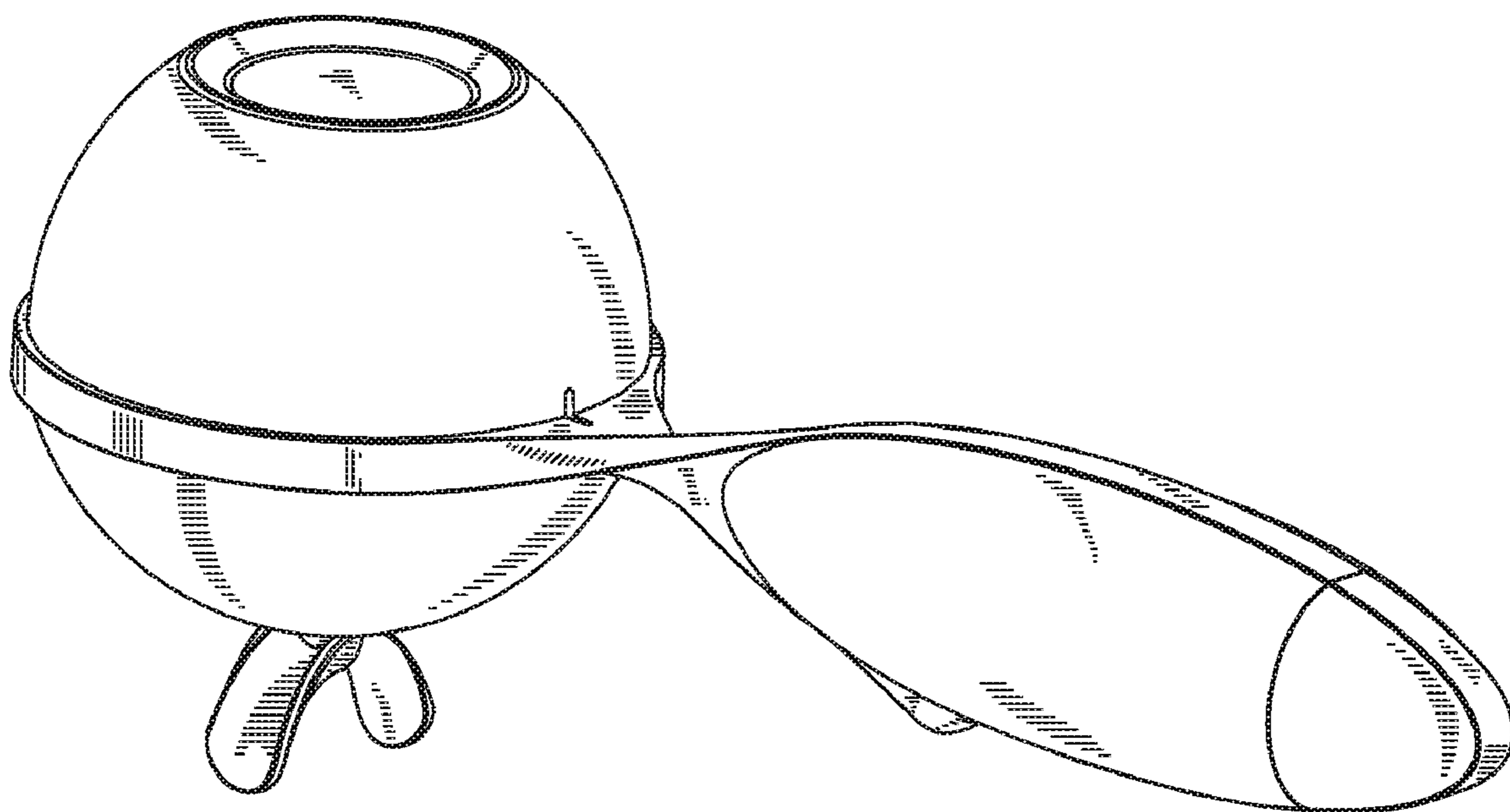


FIG. 1

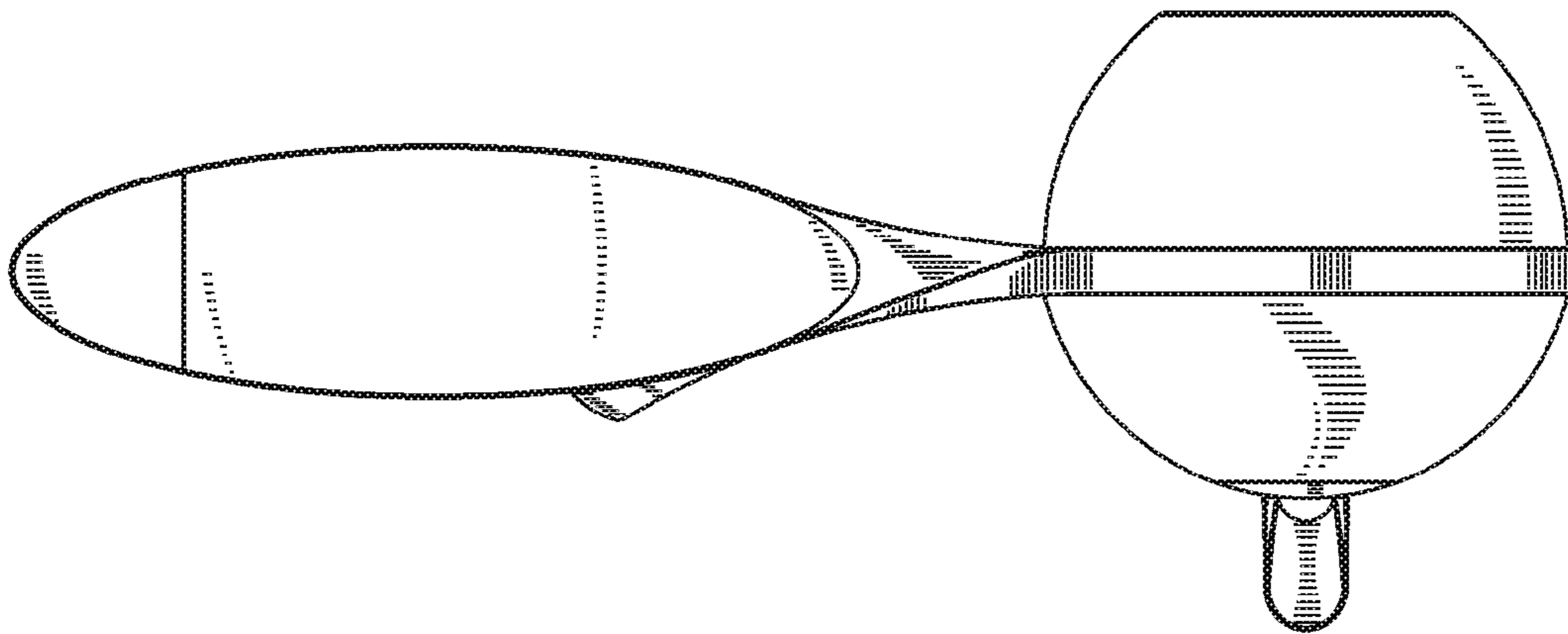


FIG. 2

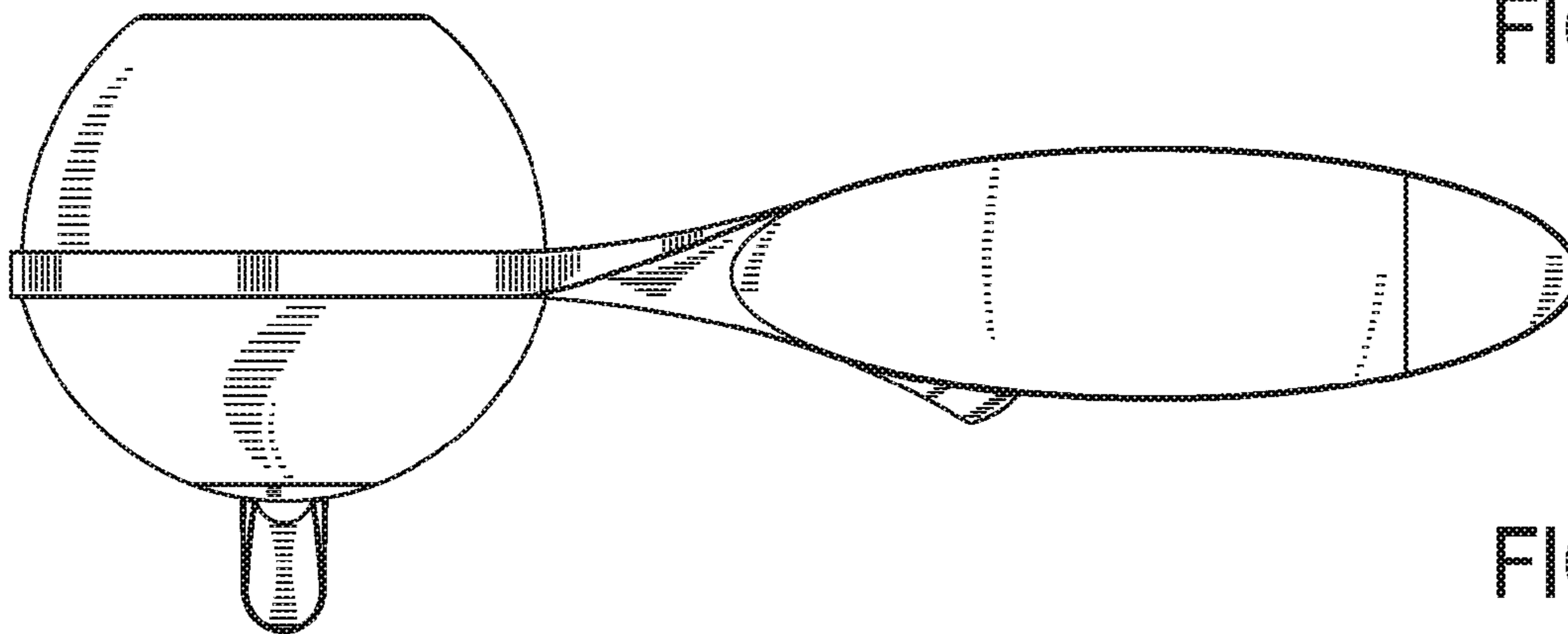


FIG. 3

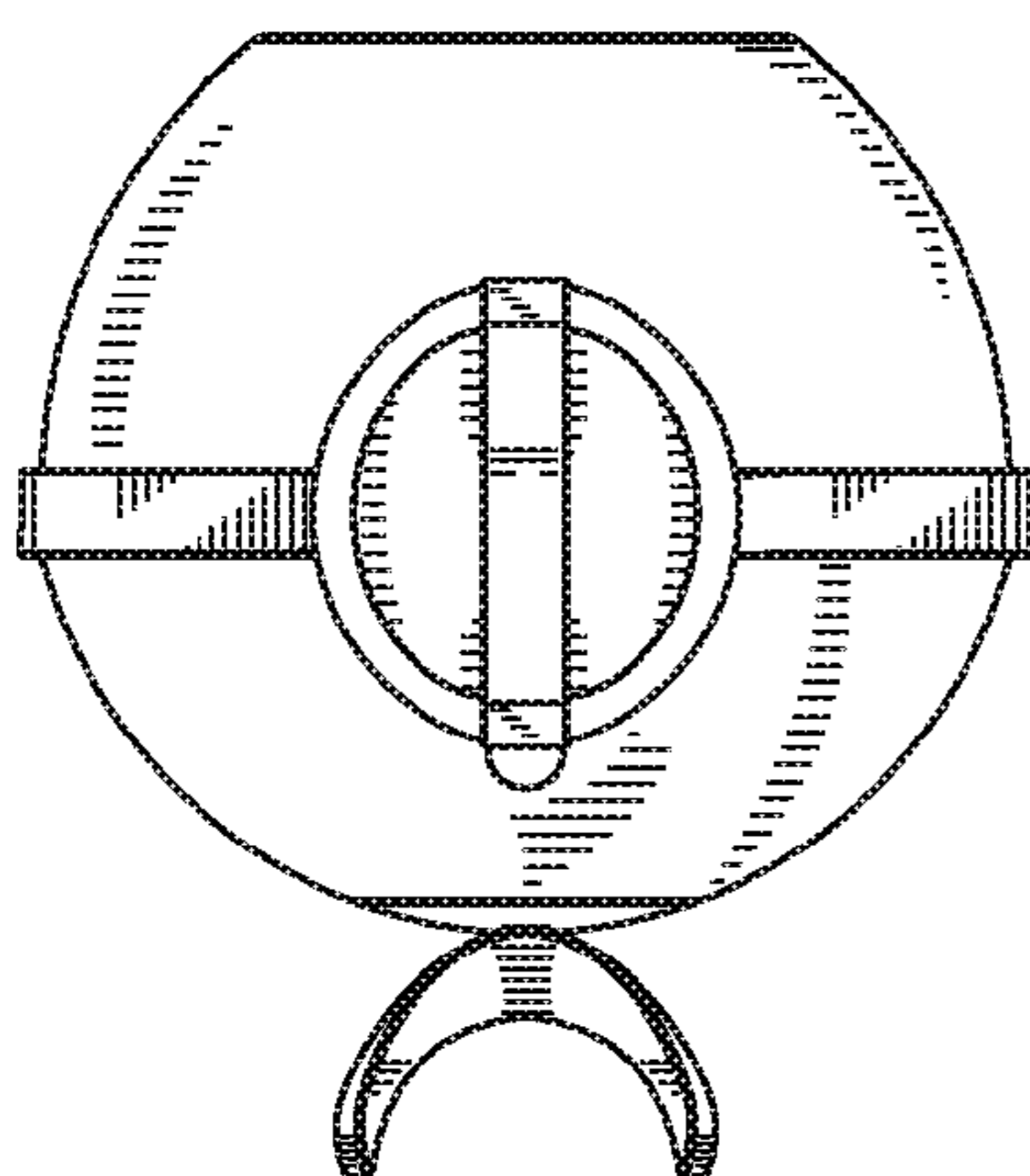


FIG. 4

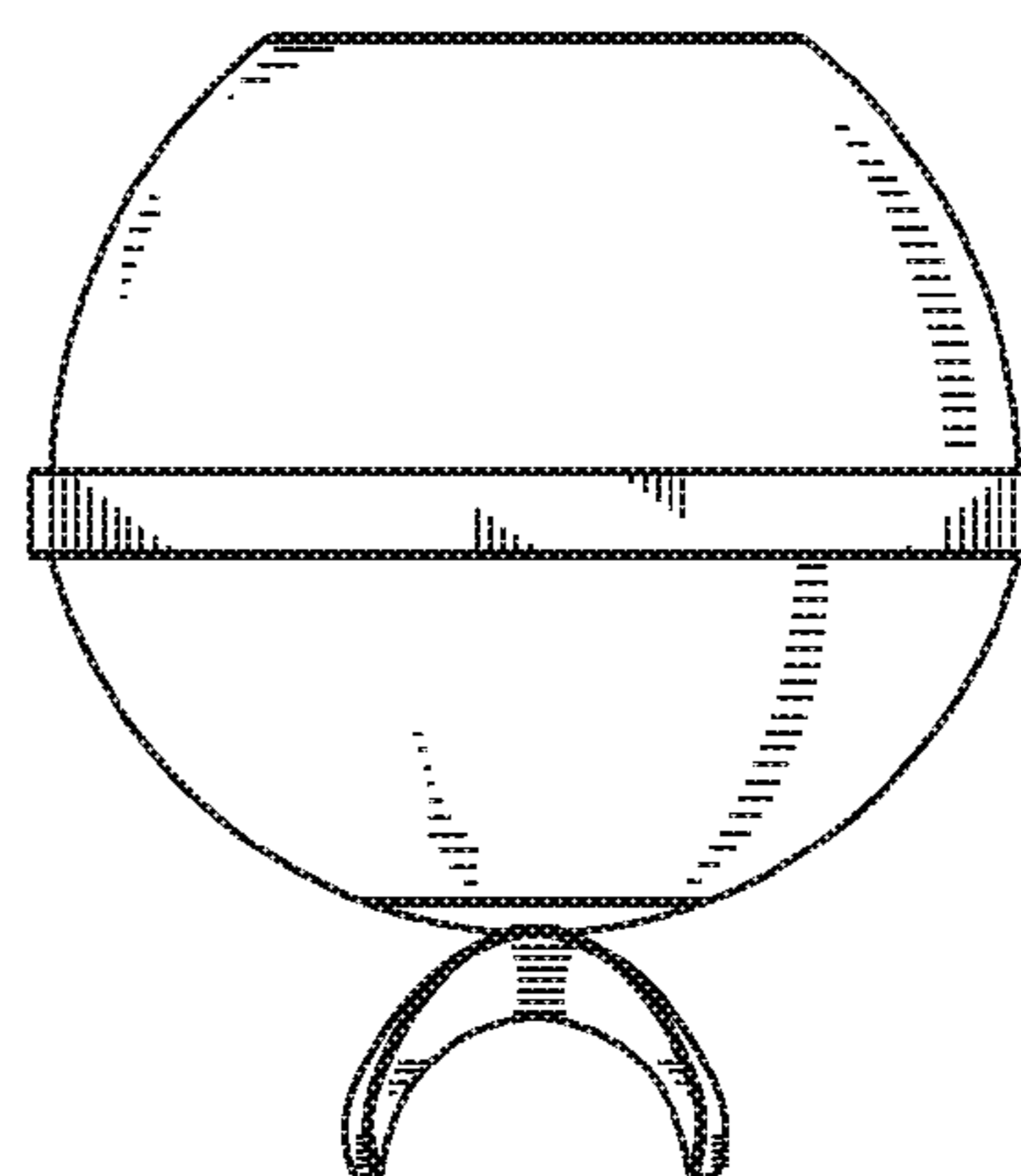


FIG. 5

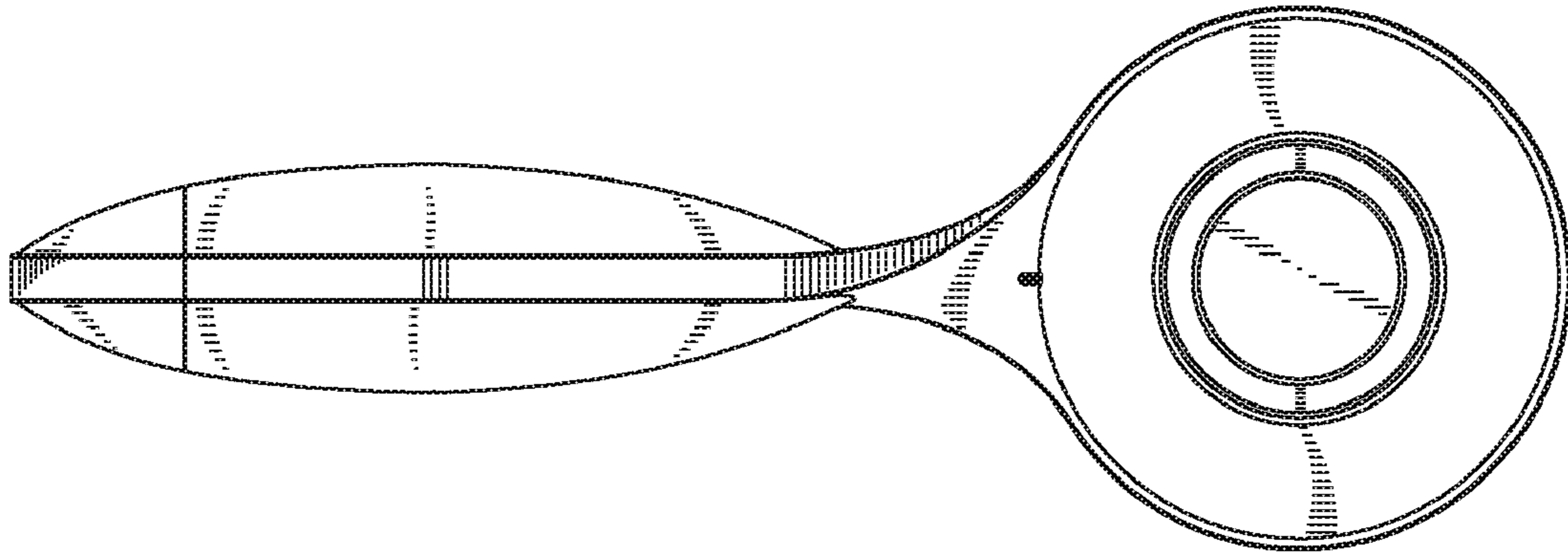


FIG. 6

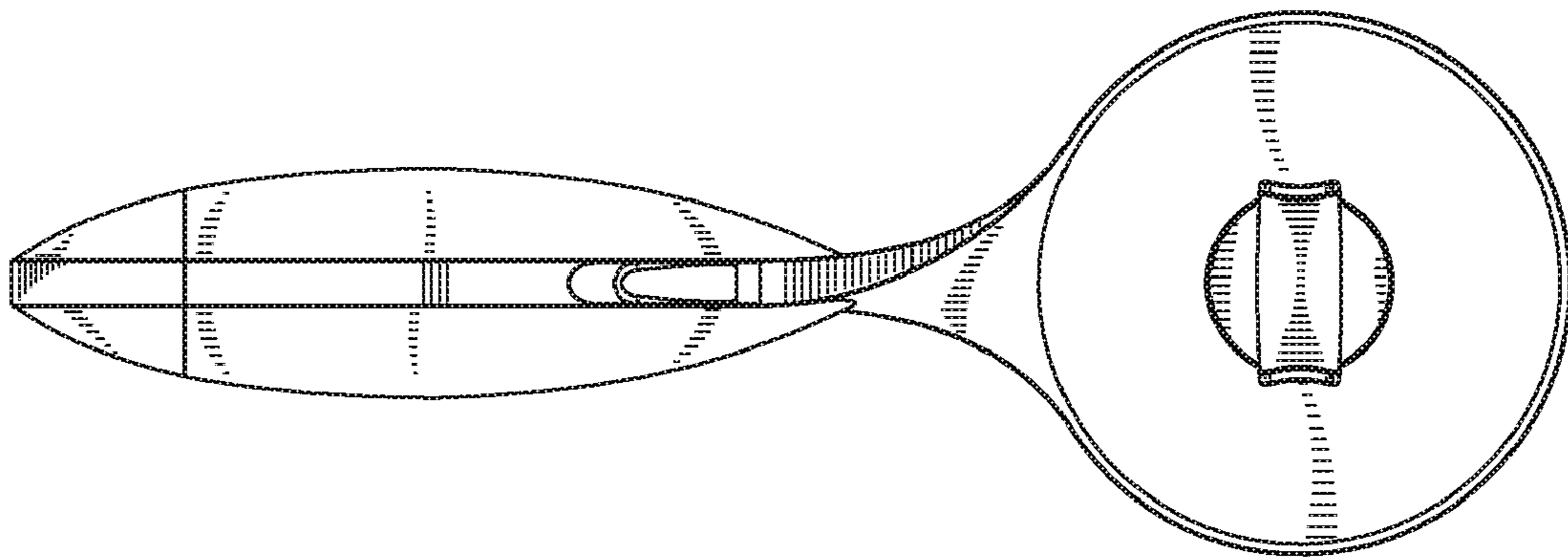


FIG. 7