



US00D614426S

(12) **United States Design Patent**
Mayer

(10) **Patent No.:** **US D614,426 S**

(45) **Date of Patent:** **** Apr. 27, 2010**

(54) **AMENITY TRAY**

(76) Inventor: **Simone Mayer**, c/o Front of the House, Inc., 9315 Park Dr., Suite C, Miami Shores, FL (US) 33138

(**) Term: **14 Years**

(21) Appl. No.: **29/315,532**

(22) Filed: **Jul. 2, 2009**

Related U.S. Application Data

(62) Division of application No. 29/310,909, filed on Sep. 16, 2008.

(51) **LOC (9) Cl.** **23-02**

(52) **U.S. Cl.** **D6/525**

(58) **Field of Classification Search** D6/524-525, D6/566; 108/14, 28, 47, 137, 143; 211/13.1, 211/71, 74, 75, 86.01, 126.1, 126.9, 133.5; 248/441.1

See application file for complete search history.

(56) **References Cited**

U.S. PATENT DOCUMENTS

D458,491 S *	6/2002	Ho	D6/525
D505,841 S *	6/2005	Fiedeler et al.	D6/525
D532,230 S *	11/2006	Snell	D6/525
D543,748 S *	6/2007	Harwanko	D6/525
D551,002 S *	9/2007	Snell	D6/525
D553,405 S *	10/2007	Soller et al.	D6/525

* cited by examiner

Primary Examiner—Brian N Vinson

(74) *Attorney, Agent, or Firm*—Fross Zelnick Lehrman & Zissu, P.C.; Lawrence E. Apolzon, Esq.

(57) **CLAIM**

The ornamental design for an amenity tray, as shown and described.

DESCRIPTION

FIG. 1 is a front perspective view of an amenity tray showing my new design;

FIG. 2 is a side view of the amenity tray shown in FIG. 1, with the opposite side view being a mirror image thereof;

FIG. 3 is a front view of the amenity tray shown in FIG. 1, with the rear view being a mirror image thereof;

FIG. 4 is a top view of the amenity tray shown in FIG. 1;

FIG. 5 is a bottom view of the amenity tray shown in FIG. 1;

FIG. 6 is a front perspective view of an alternative embodiment of the amenity tray shown in FIG. 1;

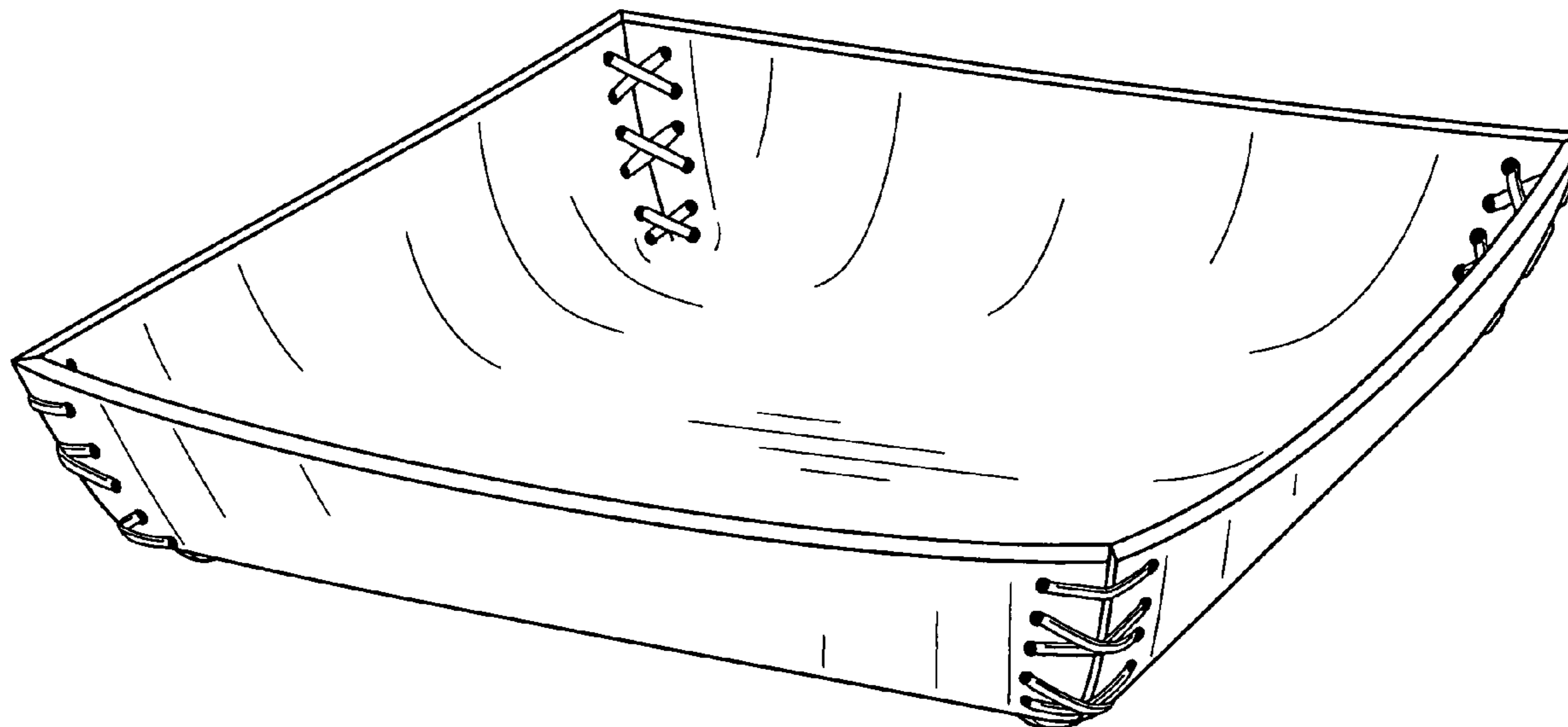
FIG. 7 is a side view of the alternative embodiment of the amenity tray shown in FIG. 1;

FIG. 8 is a front view of the alternative embodiment of the amenity tray shown in FIG. 1;

FIG. 9 is a top view of the alternative embodiment of the amenity tray shown in FIG. 1; and,

FIG. 10 is a bottom view of the alternative embodiment of the amenity tray shown in FIG. 1.

1 Claim, 10 Drawing Sheets



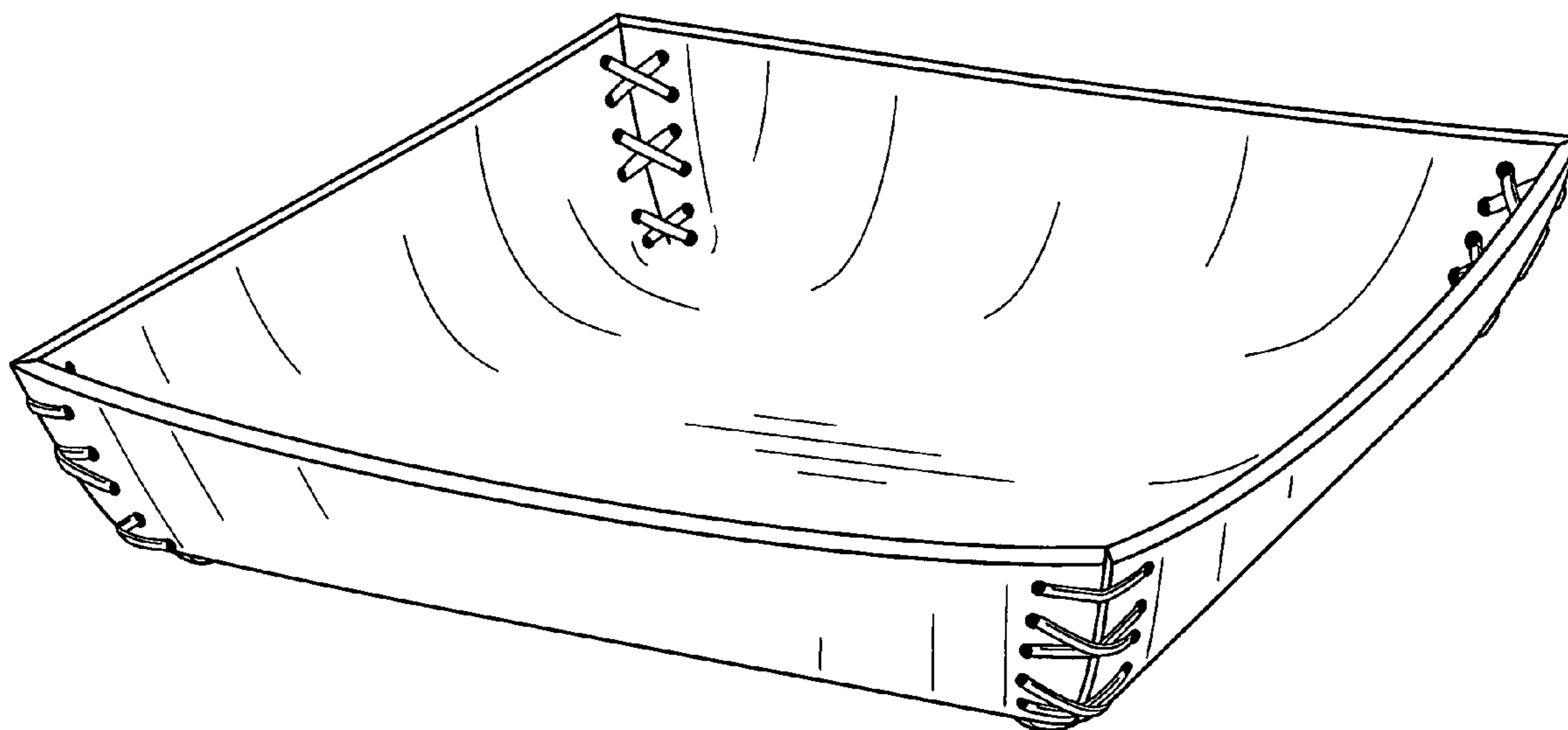


FIG. 1

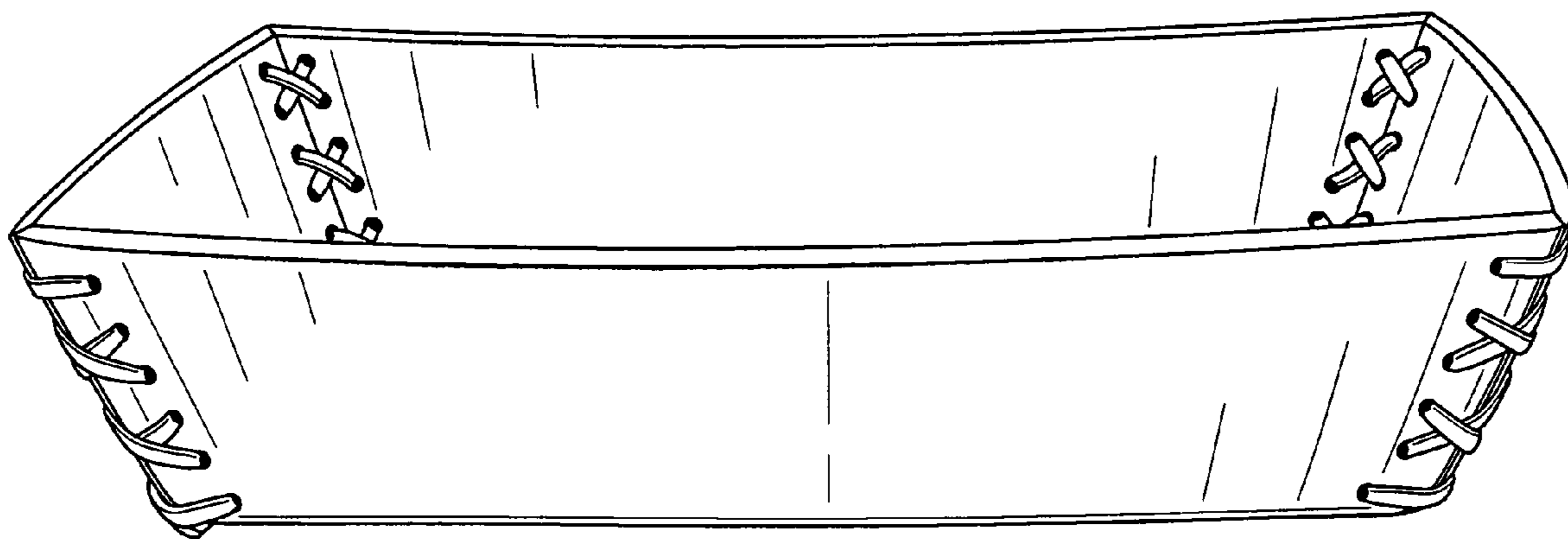


FIG. 2

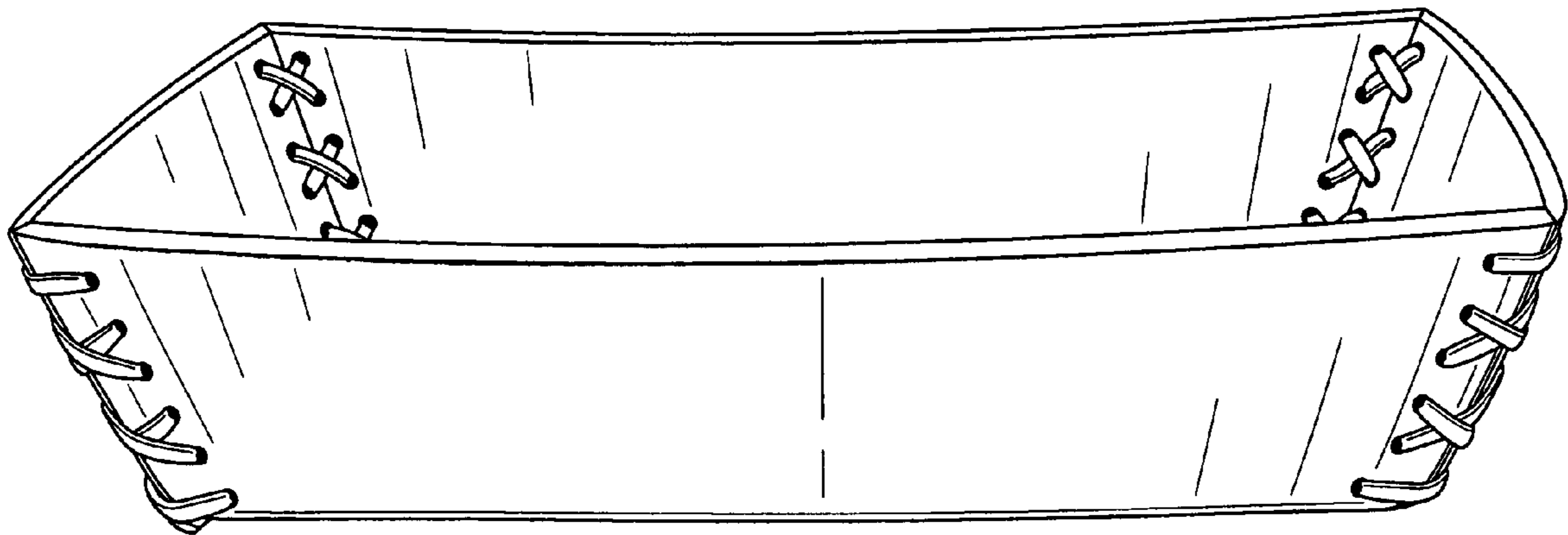


FIG. 3

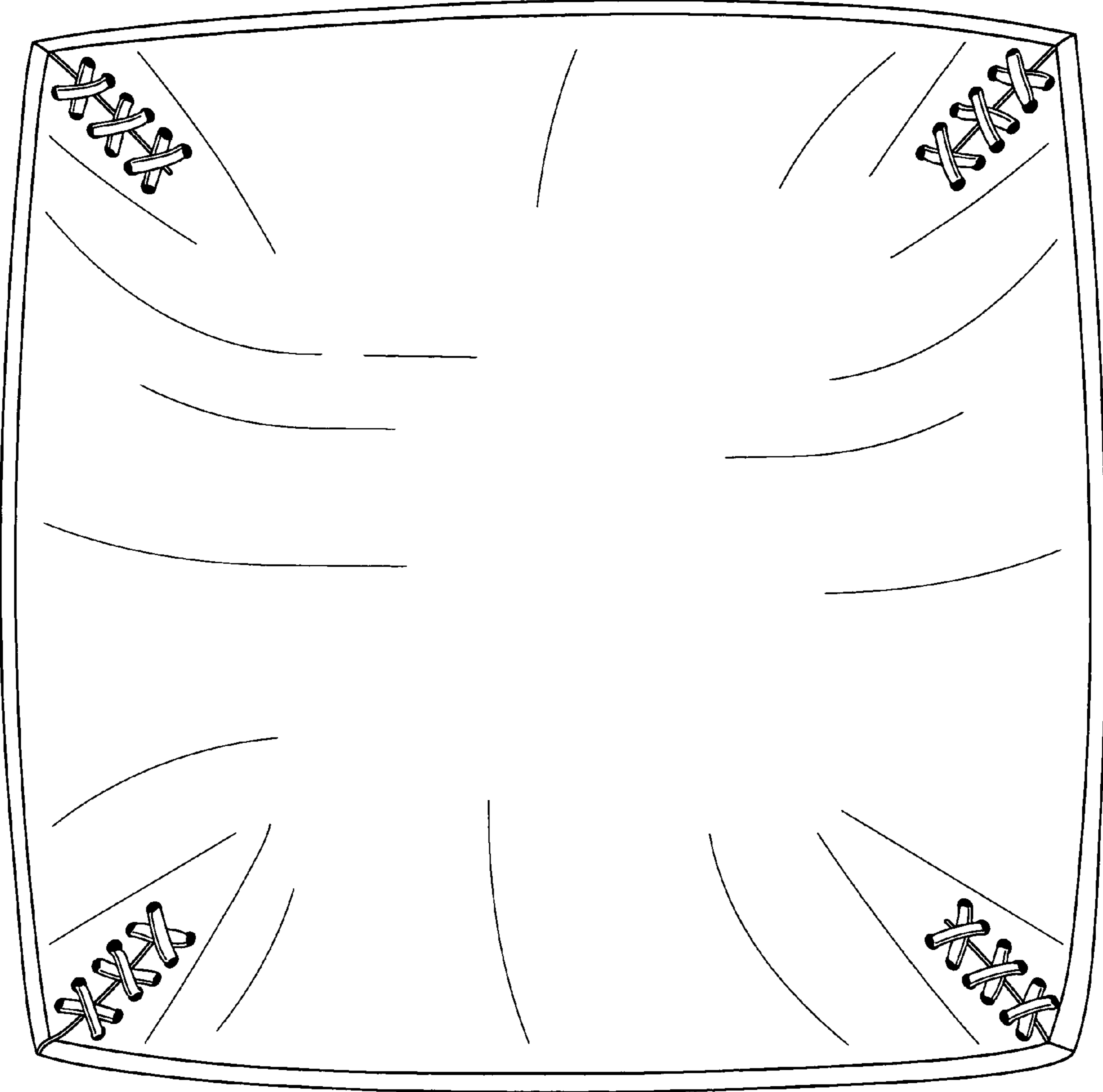


FIG. 4

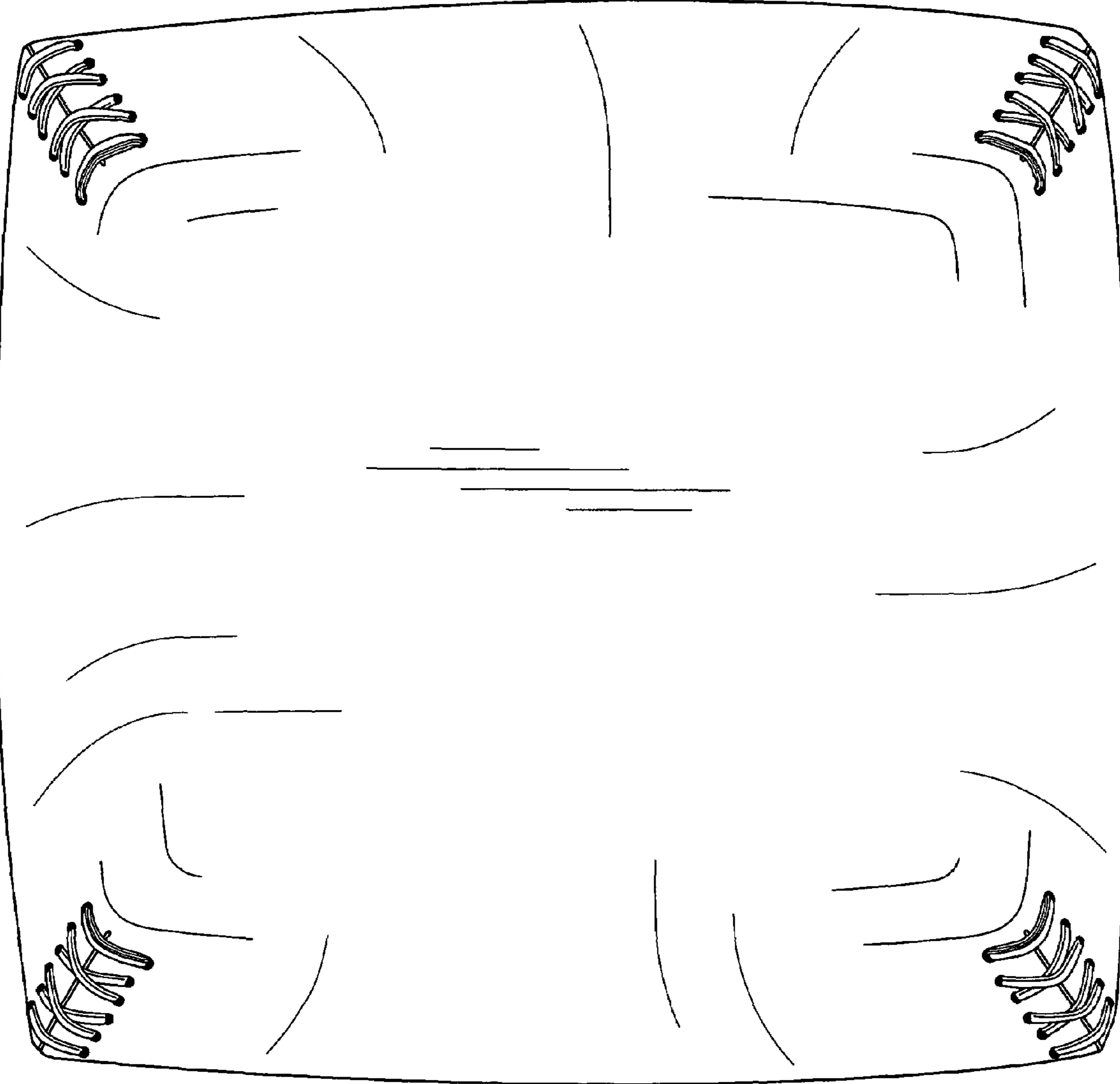


FIG. 5

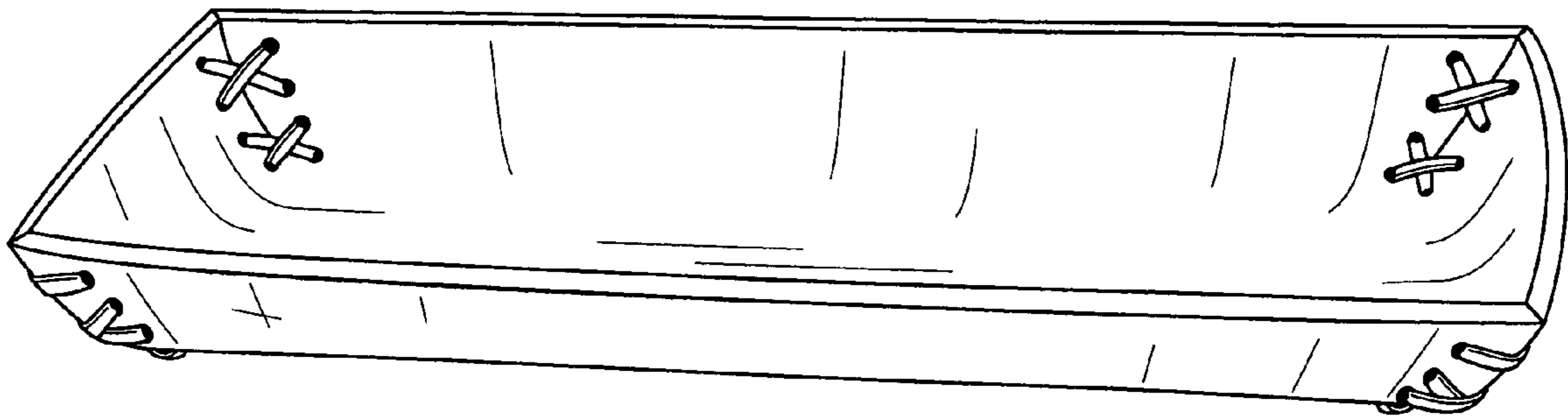


FIG. 6

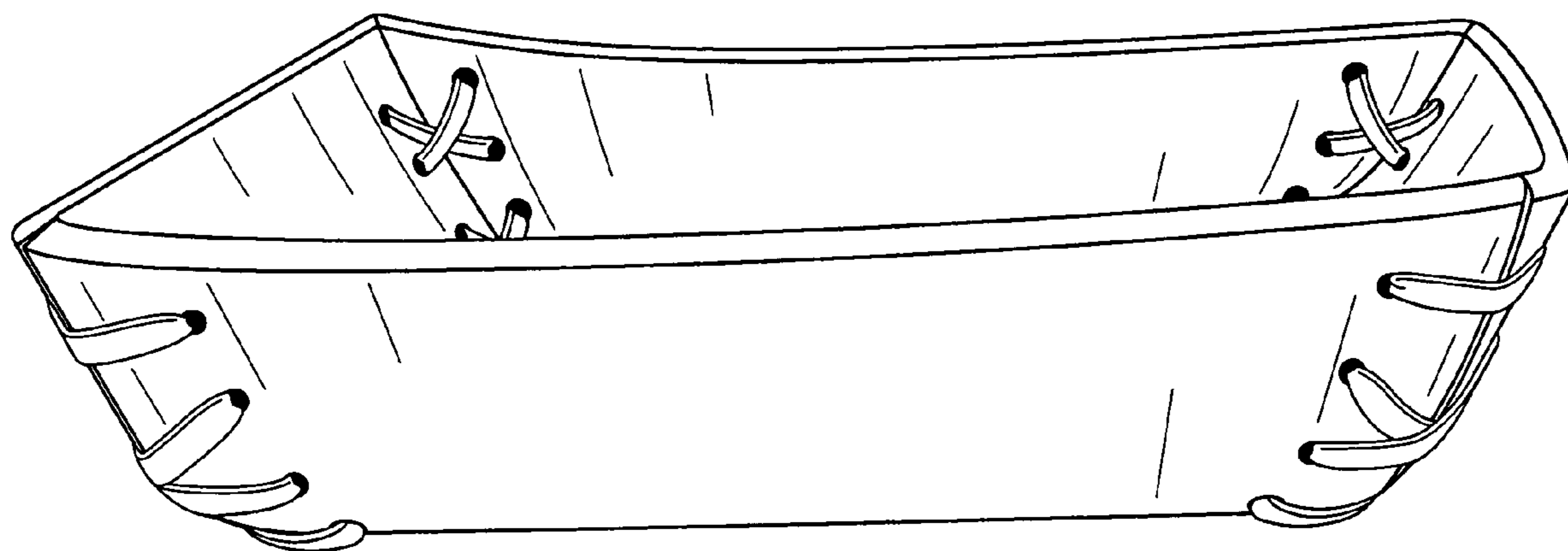


FIG. 7

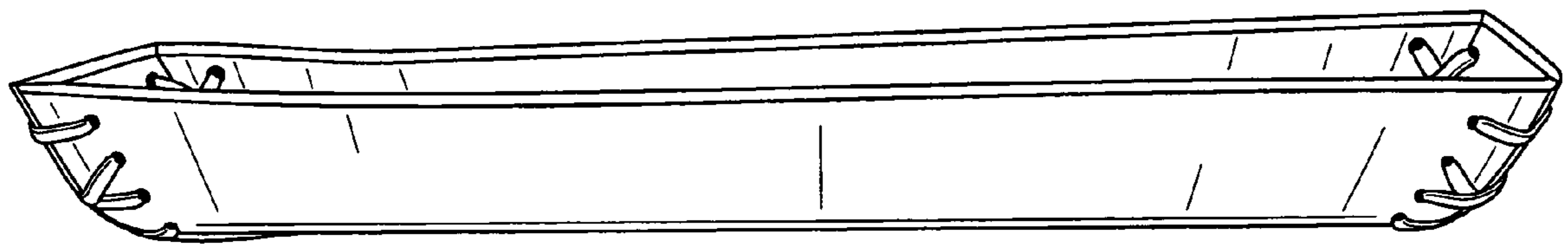


FIG. 8

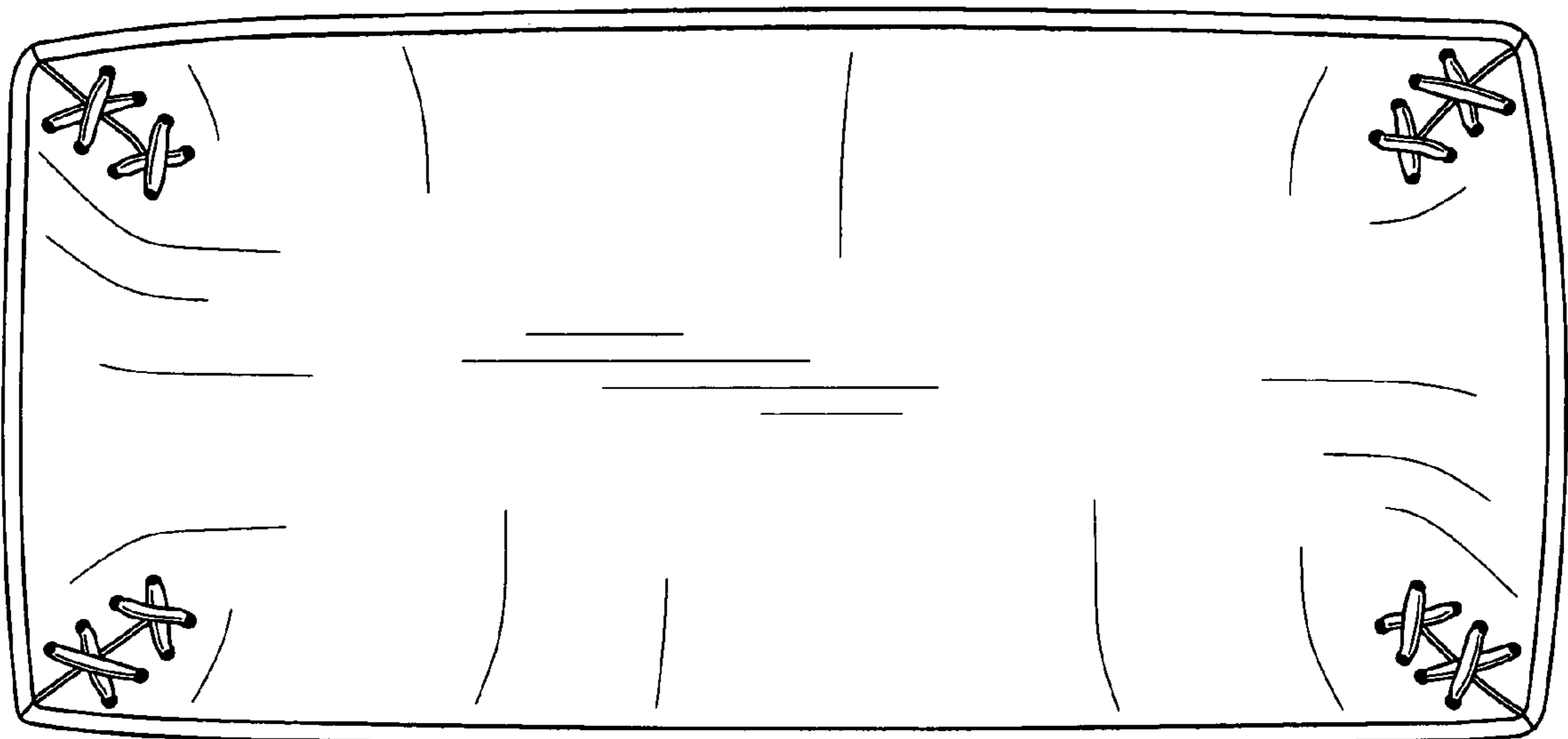


FIG. 9

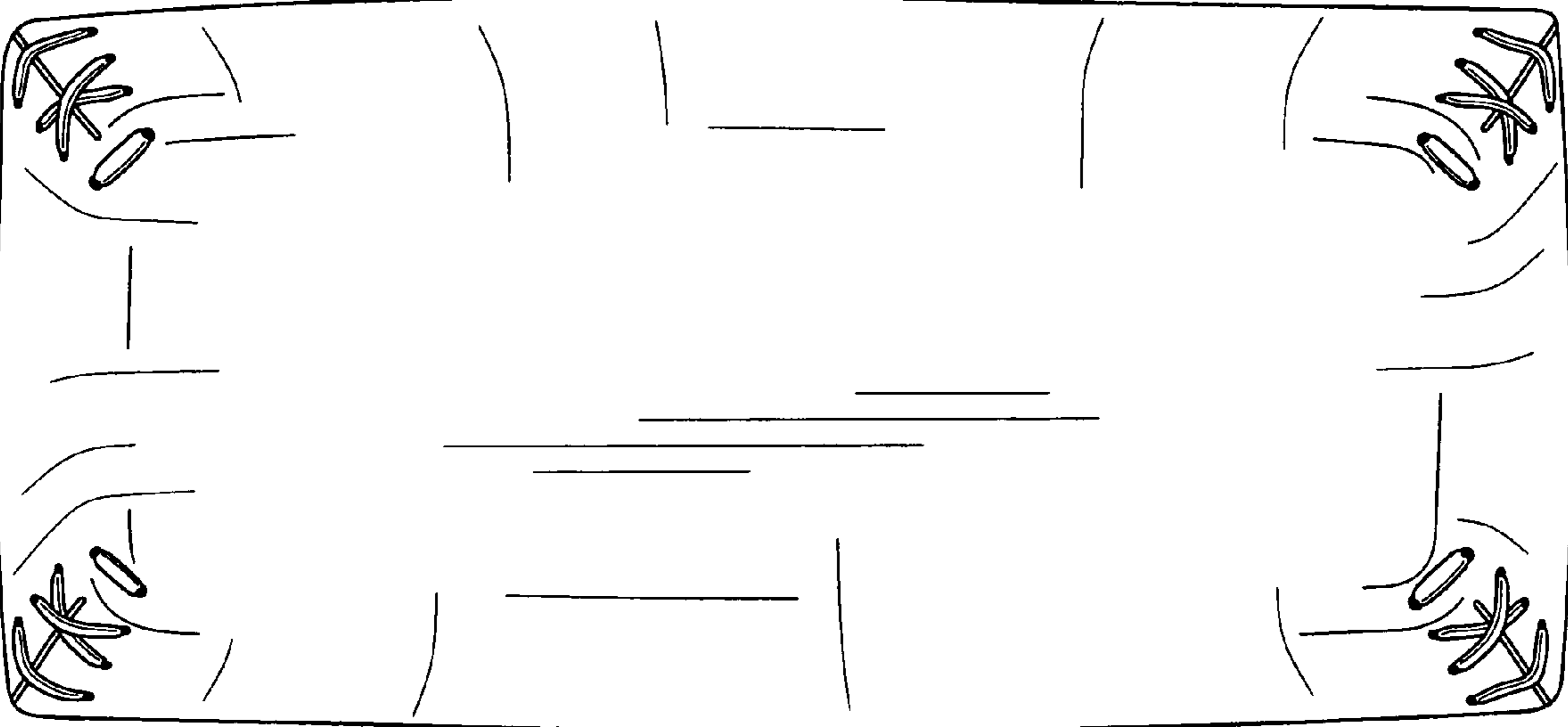


FIG. 10