



US00D614423S

(12) **United States Design Patent**
Mohazzabi

(10) **Patent No.:** **US D614,423 S**

(45) **Date of Patent:** **** Apr. 27, 2010**

(54) **BEACH PILLOW WITH FOLDABLE HEADREST**

(75) Inventor: **Pooneh Mohazzabi**, 365 W. 20th St., Apt. 2E, New York, NY (US) 10011

(73) Assignee: **Pooneh Mohazzabi**, New York, NY (US)

(**) Term: **14 Years**

(21) Appl. No.: **29/315,580**

(22) Filed: **Jul. 7, 2009**

(51) **LOC (9) Cl.** **06-01**

(52) **U.S. Cl.** **D6/501**

(58) **Field of Classification Search** D6/240,
D6/248, 249, 353, 429, 501, 502, 595-601,
D6/604, 605; 5/630, 636, 640, 643, 652,
5/653, 655.3-655.5, 656; D24/183; 16/376;
108/115, 118, 119, 131; 248/118, 118.1,
248/118.3, 118.5; 297/184.15, 219.1, 391,
297/394

See application file for complete search history.

(56) **References Cited**

U.S. PATENT DOCUMENTS

2,502,752 A * 4/1950 Richards 5/640
2,551,388 A * 5/1951 Nygard 5/640
2,574,590 A * 11/1951 Ross 5/656
2,706,829 A * 4/1955 Charnin 16/376

D190,323 S * 5/1961 Stair D6/502
3,002,201 A * 10/1961 Nelson et al. 5/640
4,544,203 A * 10/1985 Younger et al. 297/391
D287,318 S * 12/1986 Garduno D6/429
4,641,883 A * 2/1987 Kato 297/184.15
5,303,890 A * 4/1994 Carruth 248/118
5,551,110 A * 9/1996 Armstrong et al. 5/656
6,839,927 B1 * 1/2005 Crane 5/643

* cited by examiner

Primary Examiner—Janice E Seeger

Assistant Examiner—Mary Ann Calabrese

(74) *Attorney, Agent, or Firm*—Ezra Sutton

(57) **CLAIM**

The ornamental designs for a beach pillow with foldable headrest, as shown and described.

DESCRIPTION

FIG. 1 is a perspective view of a new beach pillow with foldable headrest showing my new design;

FIG. 2 is a front elevational view thereof;

FIG. 3 is a rear elevational view thereof;

FIG. 4 is a left side elevational view thereof;

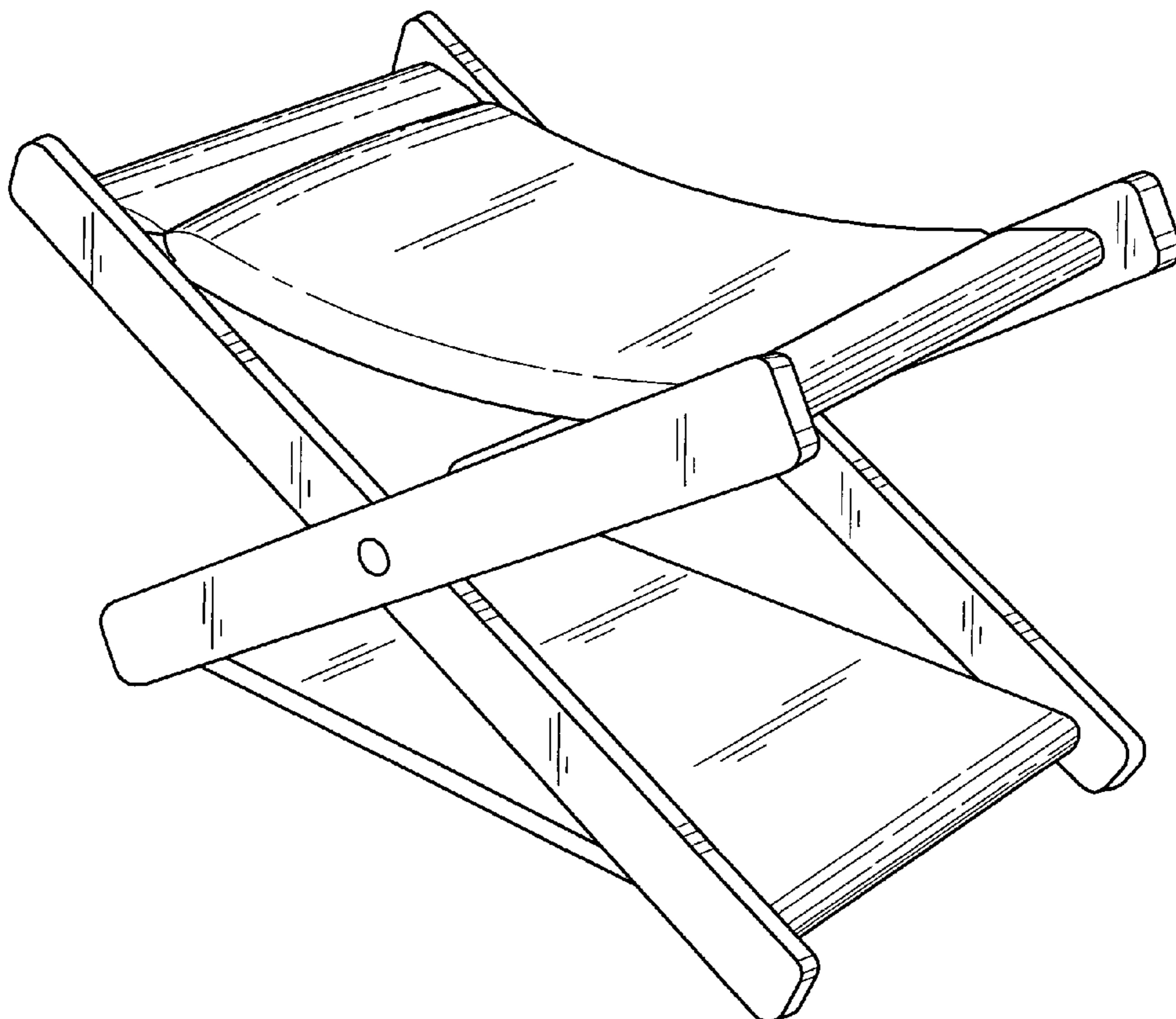
FIG. 5 is a right side elevational view thereof;

FIG. 6 is a top plan view thereof;

FIG. 7 is a bottom plan view thereof; and,

FIG. 8 is a perspective view in the folded position.

1 Claim, 8 Drawing Sheets



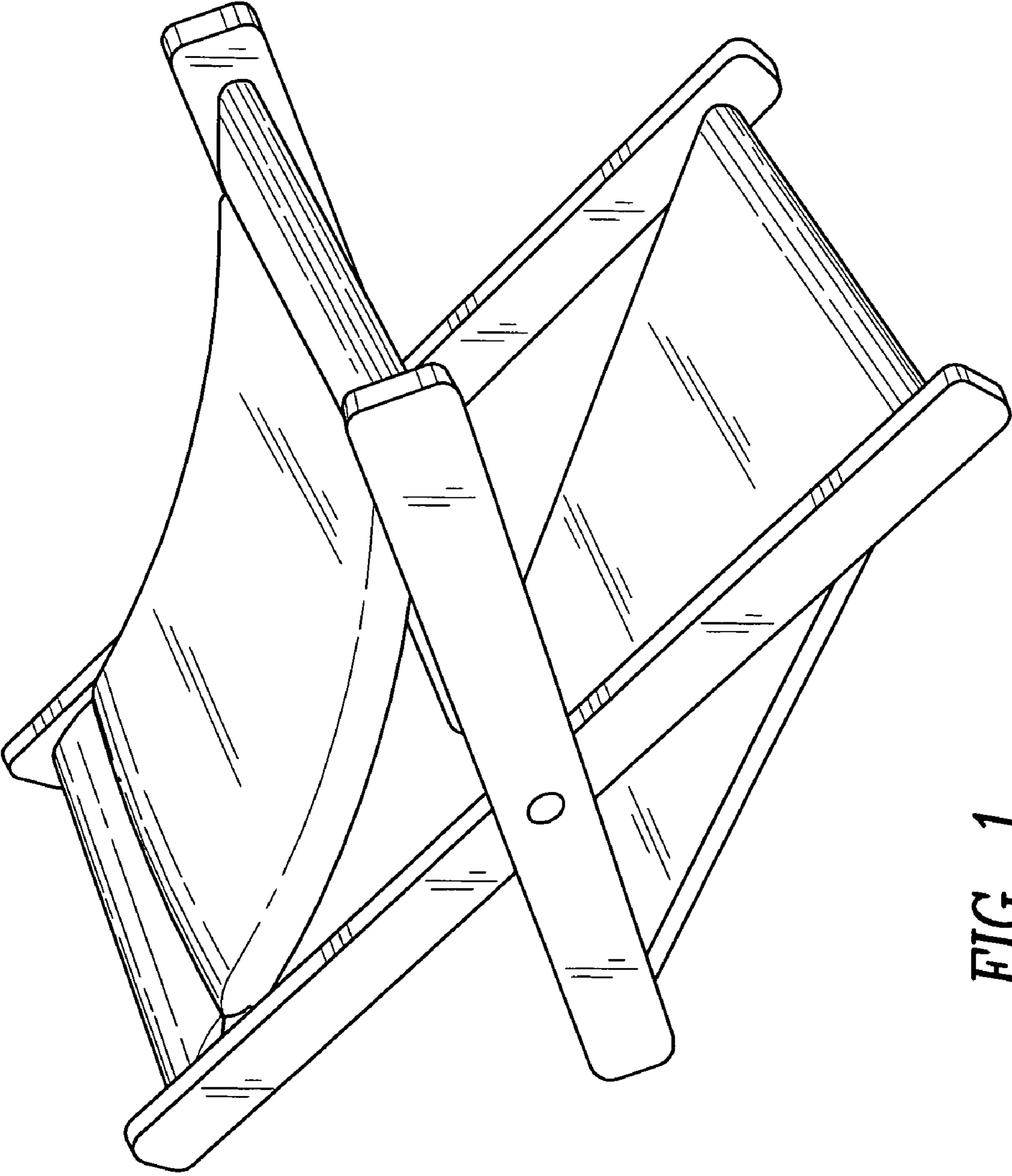


FIG. 1

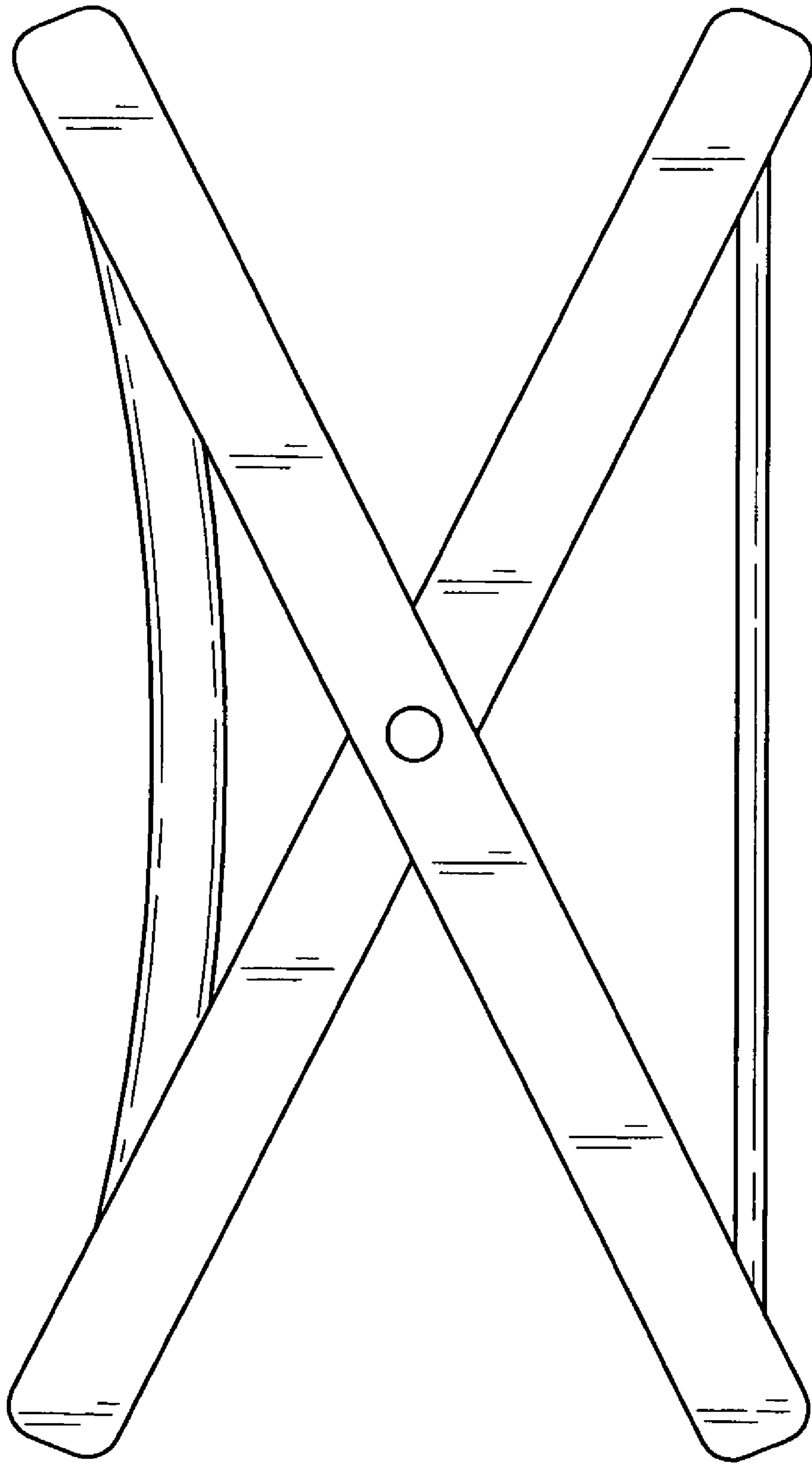


FIG. 2

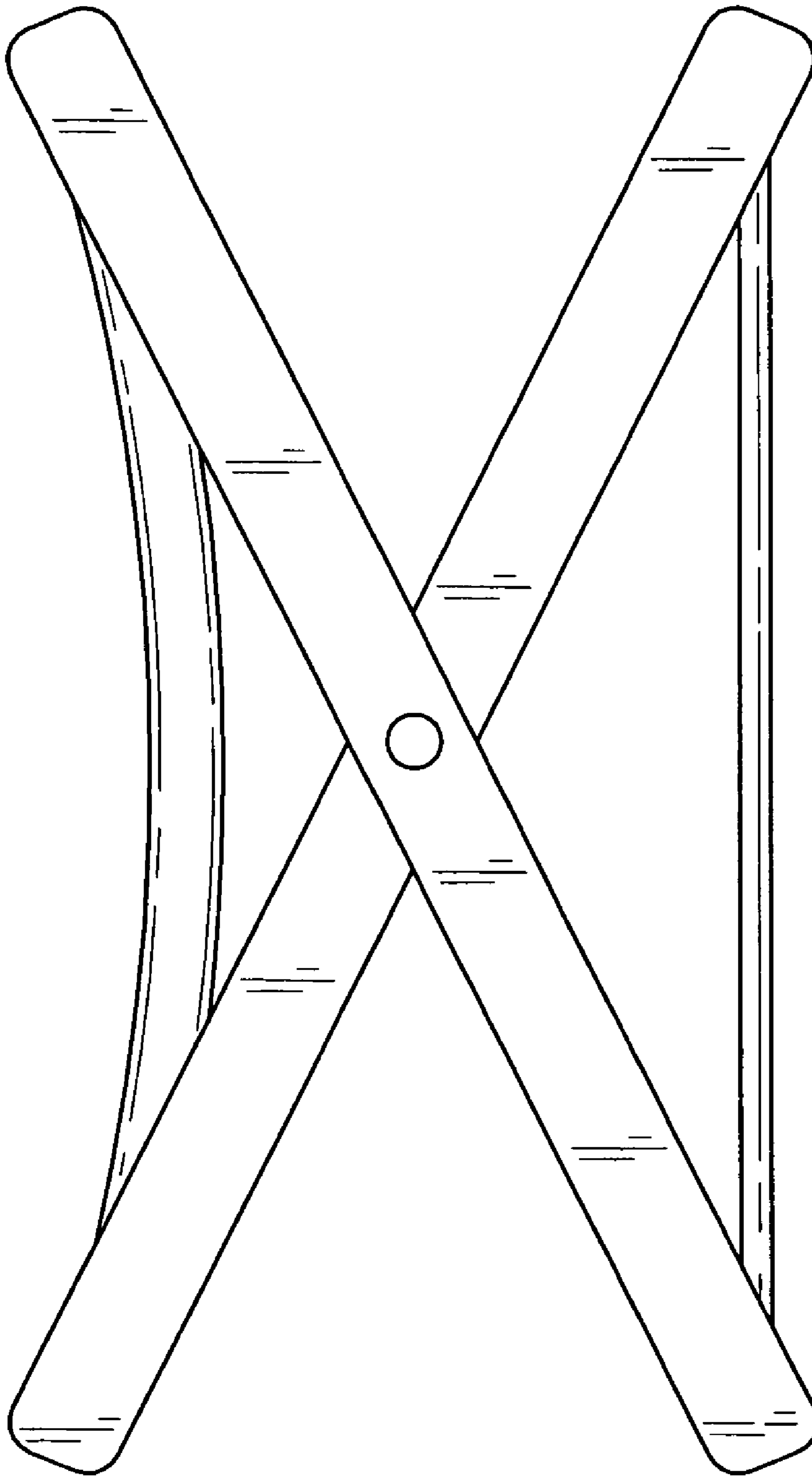


FIG. 3

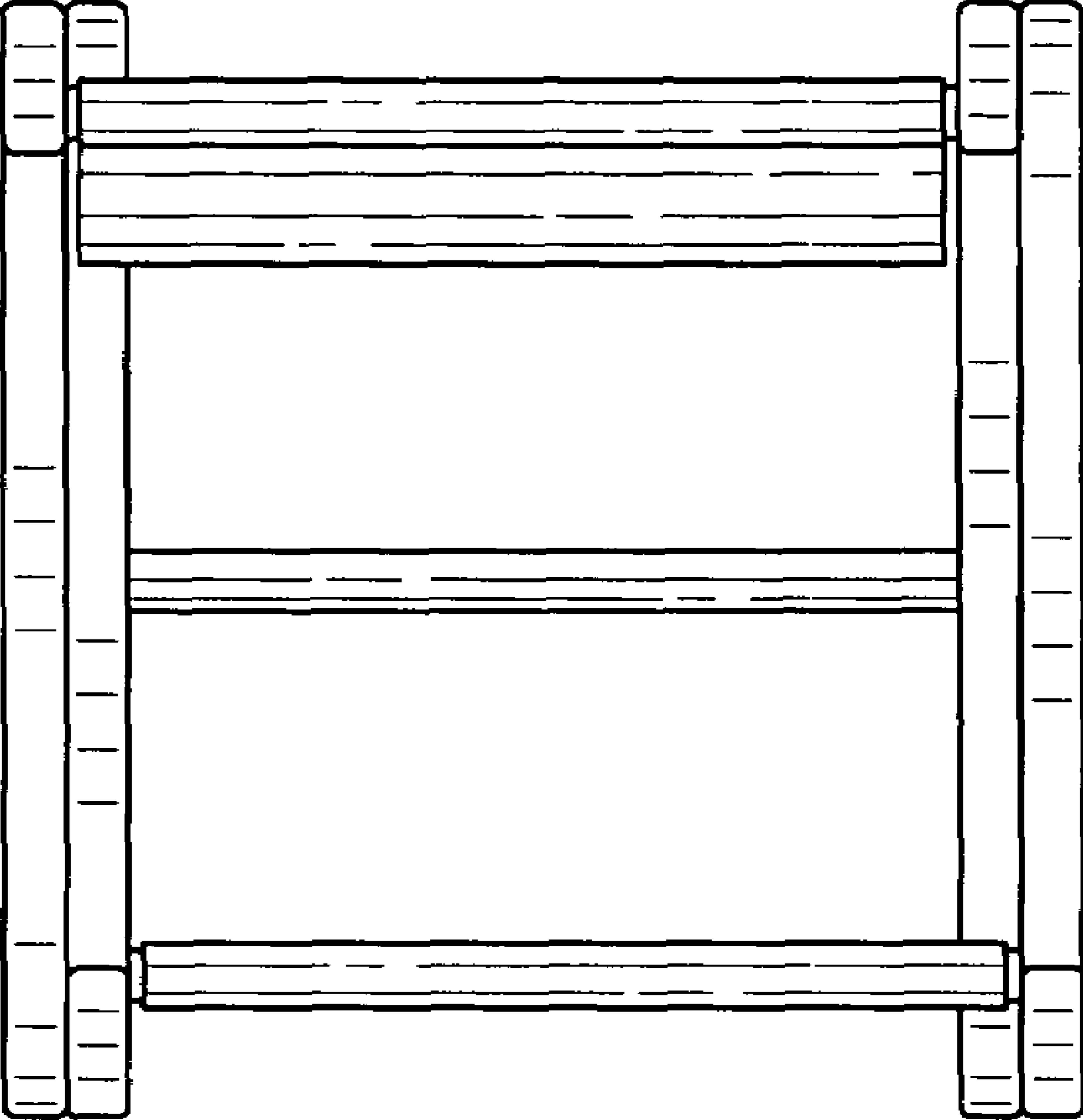


FIG. 4

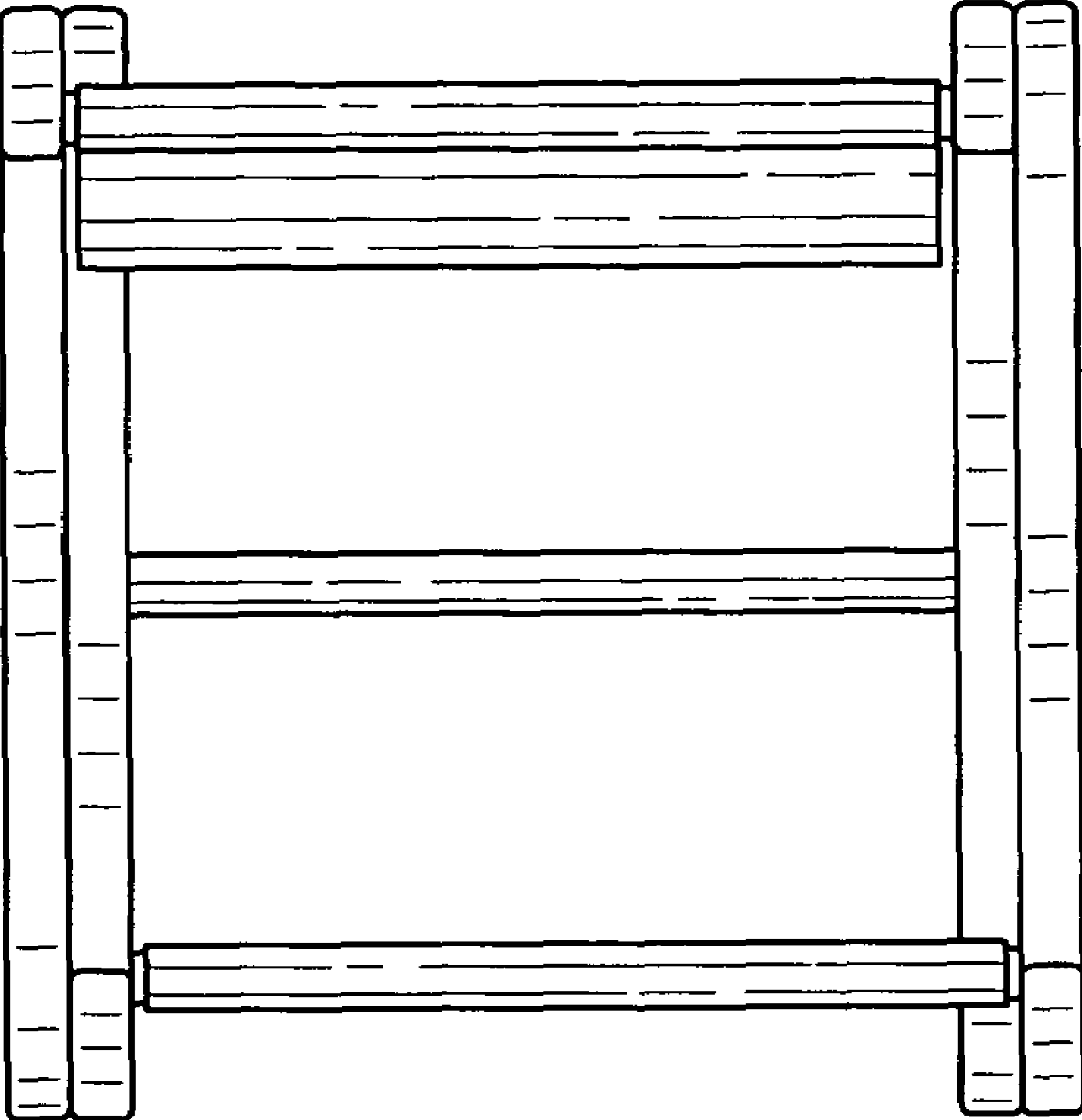


FIG. 5

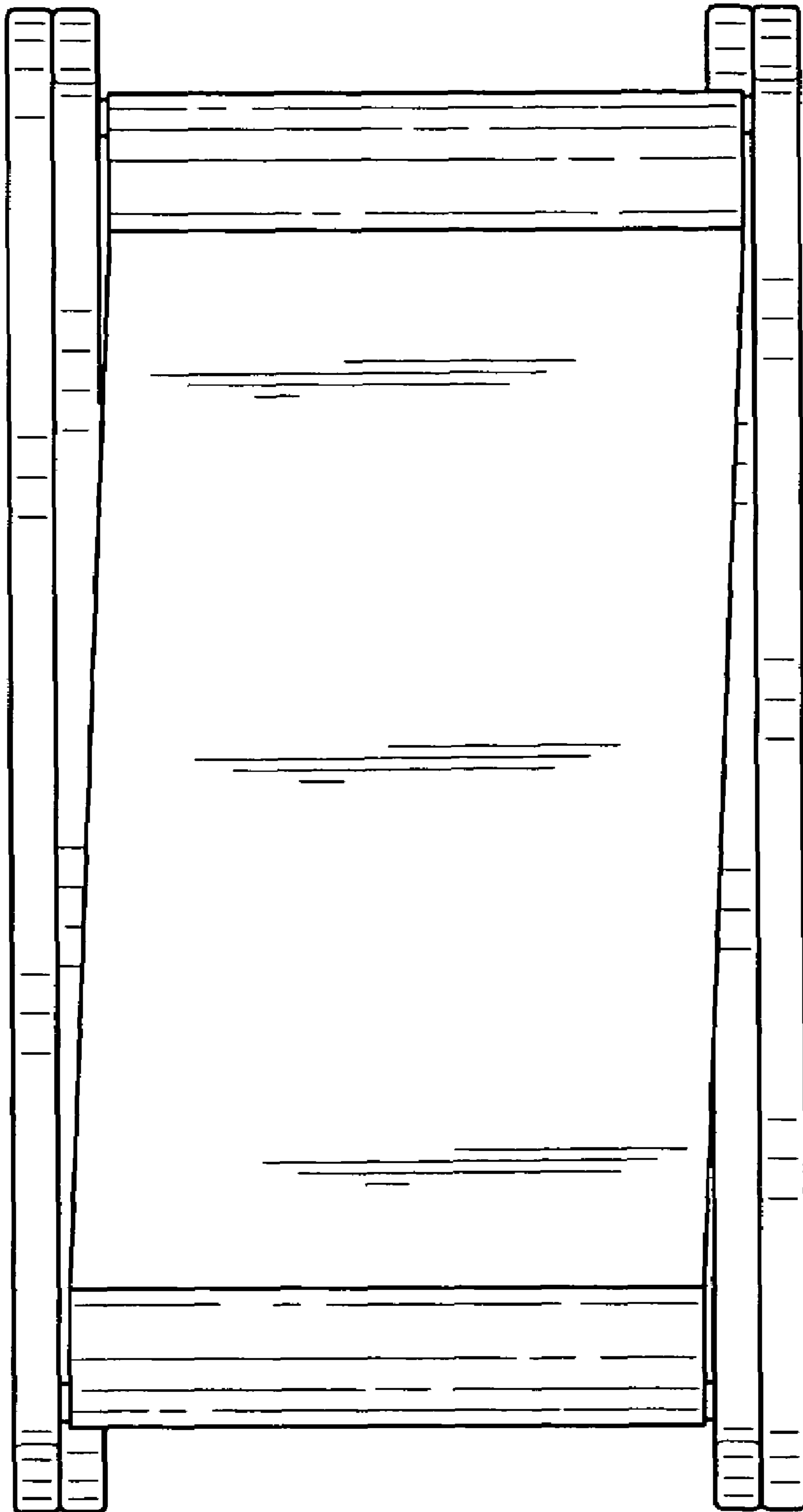


FIG. 6

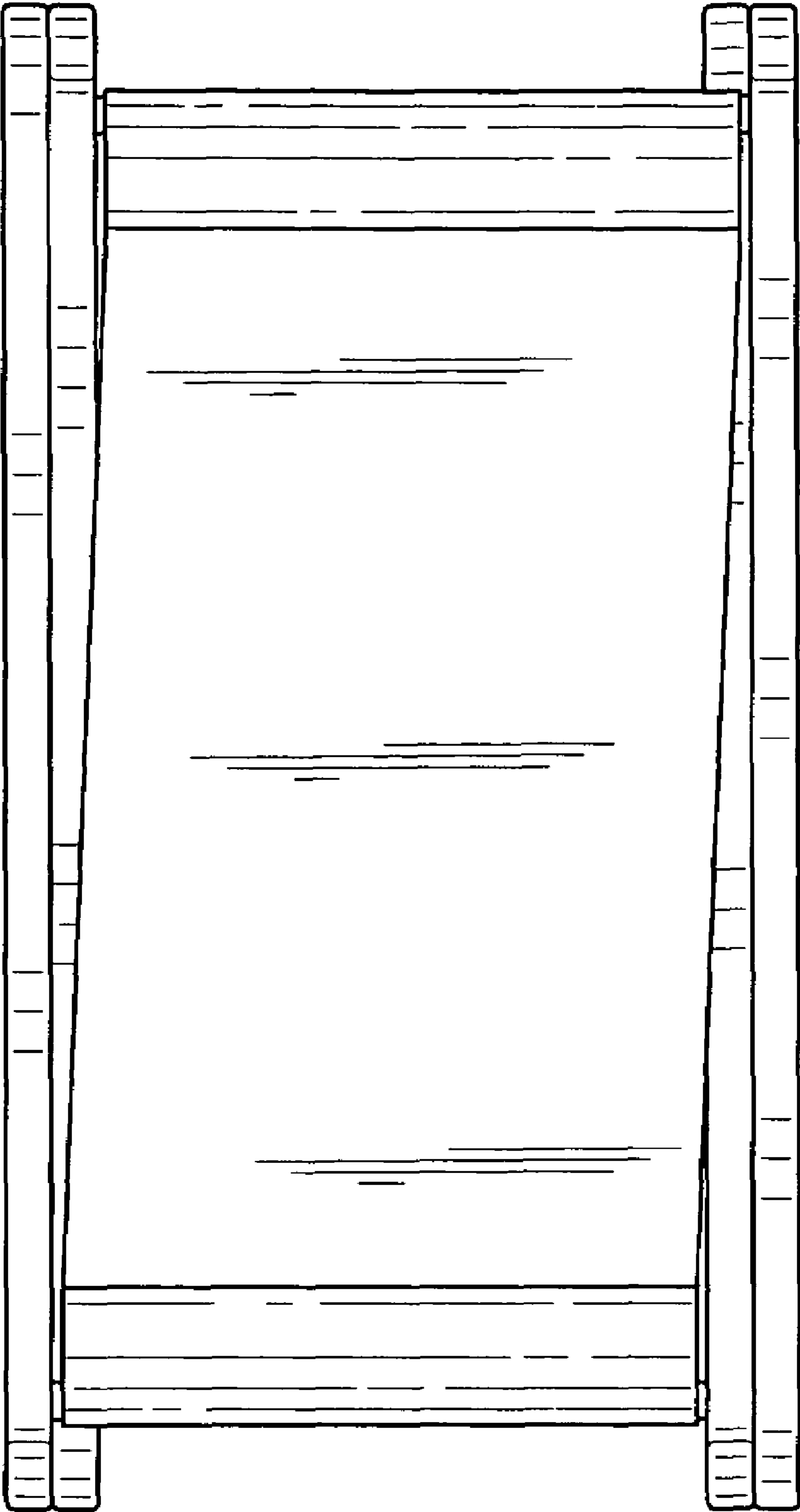


FIG. 7

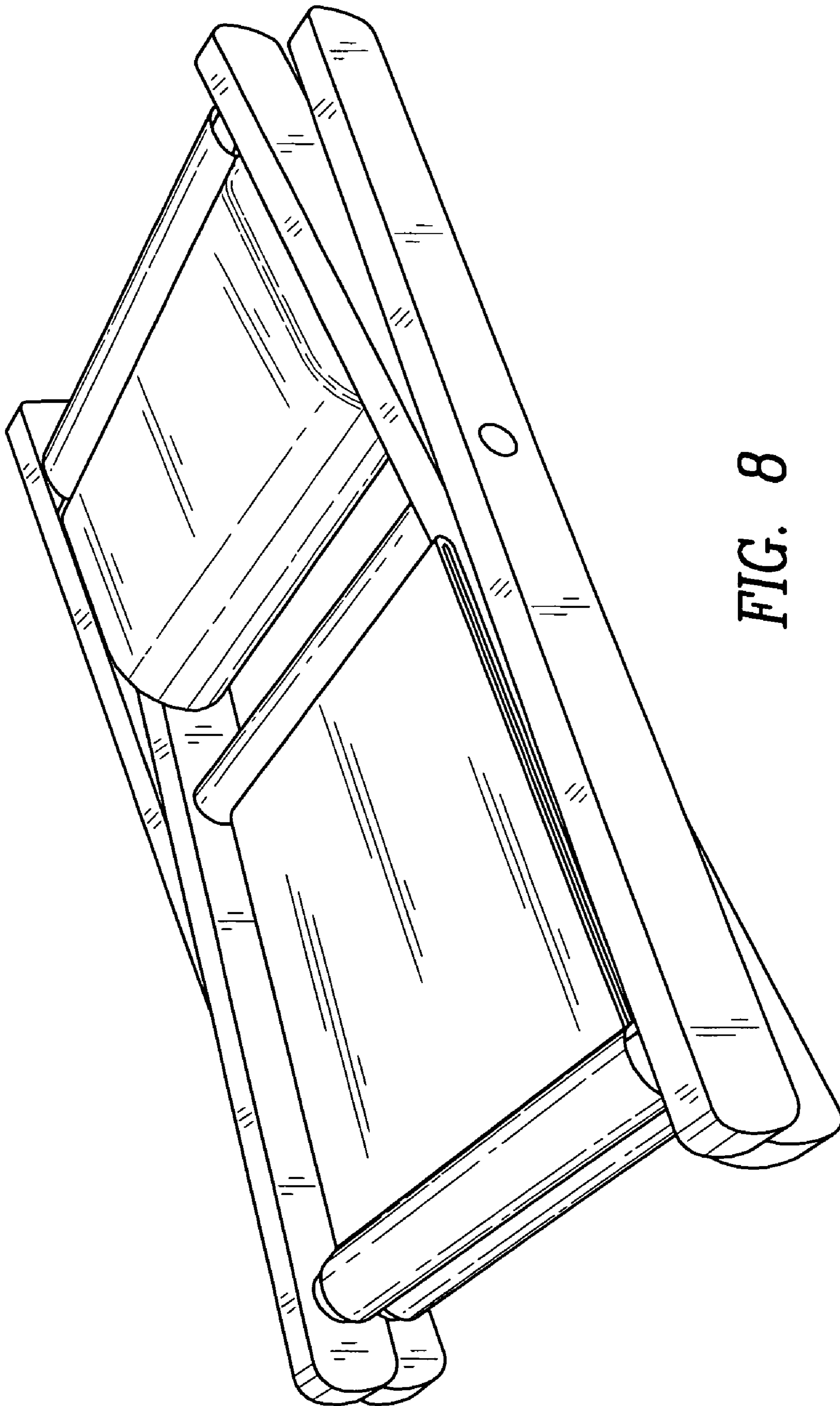


FIG. 8