

US00D614421S

(12) **United States Design Patent**
Sexton

(10) **Patent No.:** **US D614,421 S**

(45) **Date of Patent:** **** Apr. 27, 2010**

(54) **BOOKCASE**

(75) Inventor: **James S. Sexton**, San Ramon, CA (US)

(73) Assignee: **Z-Line Designs, Inc.**, San Ramon, CA (US)

(**) Term: **14 Years**

(21) Appl. No.: **29/345,454**

(22) Filed: **Oct. 15, 2009**

(51) **LOC (9) Cl.** **06-04**

(52) **U.S. Cl.** **D6/479**

(58) **Field of Classification Search** D6/474-477,
D6/479, 426, 460-461, 468, 509; 312/7.2,
312/9.1; 108/59, 91-92, 96; 211/42, 49.1,
211/90.04, 71.01, 186

See application file for complete search history.

(56) **References Cited**

U.S. PATENT DOCUMENTS

D363,626 S *	10/1995	Herbst	D6/479
D364,763 S *	12/1995	Sielaff	D6/479
D433,846 S *	11/2000	Chang	D6/474
D456,640 S *	5/2002	Harwanko	D6/479
D476,508 S *	7/2003	Chang	D6/474
D491,749 S *	6/2004	Malizia	D6/474
D505,574 S	5/2005	Sexton		
D506,622 S *	6/2005	Hwang	D6/474
D521,276 S *	5/2006	Lenger	D6/474
D524,578 S *	7/2006	Stenhouse et al.	D6/479

D527,208 S *	8/2006	Malizia	D6/479
D560,933 S	2/2008	Sexton et al.		
D591,086 S *	4/2009	Karsson	D6/474
D591,533 S *	5/2009	Karsson	D6/474

OTHER PUBLICATIONS

U.S. Appl. No. 29/337,851, filed May 29, 2009, titled "*Shelf*", Inventor: James S. Sexton.

* cited by examiner

Primary Examiner—Elizabeth A Albert

Assistant Examiner—Kelley A Donnelly

(74) *Attorney, Agent, or Firm*—Townsend and Townsend and Crew LLP

(57) **CLAIM**

The ornamental design for a bookcase, as shown and described.

DESCRIPTION

FIG. 1 is a perspective view of a bookcase showing my new design;

FIG. 2 is a front elevational view thereof;

FIG. 3 is a rear elevational view thereof;

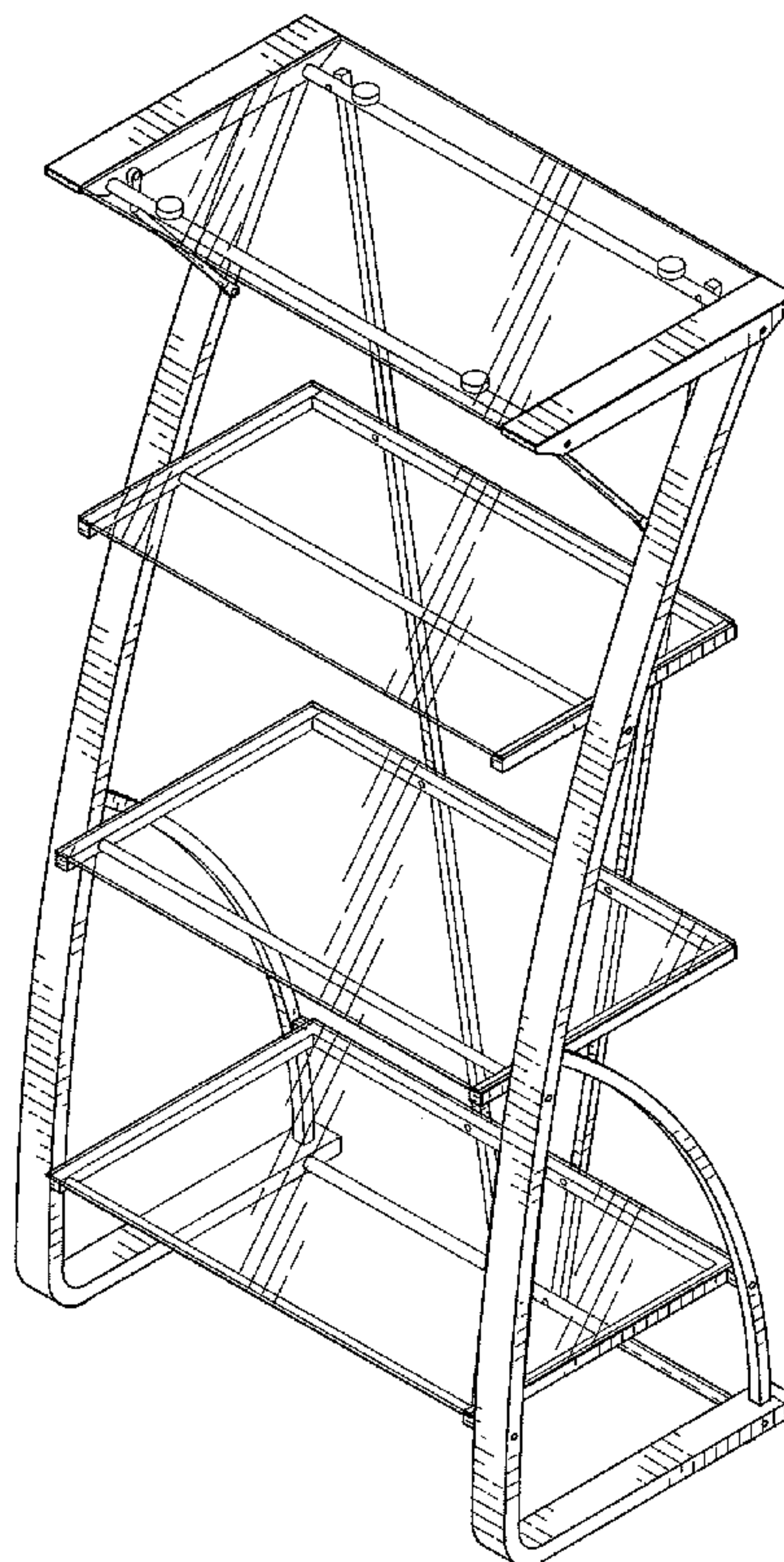
FIG. 4 is a right side elevational view thereof;

FIG. 5 is a left side elevational view thereof;

FIG. 6 is a top plan view thereof; and,

FIG. 7 is a bottom plan view thereof.

1 Claim, 5 Drawing Sheets



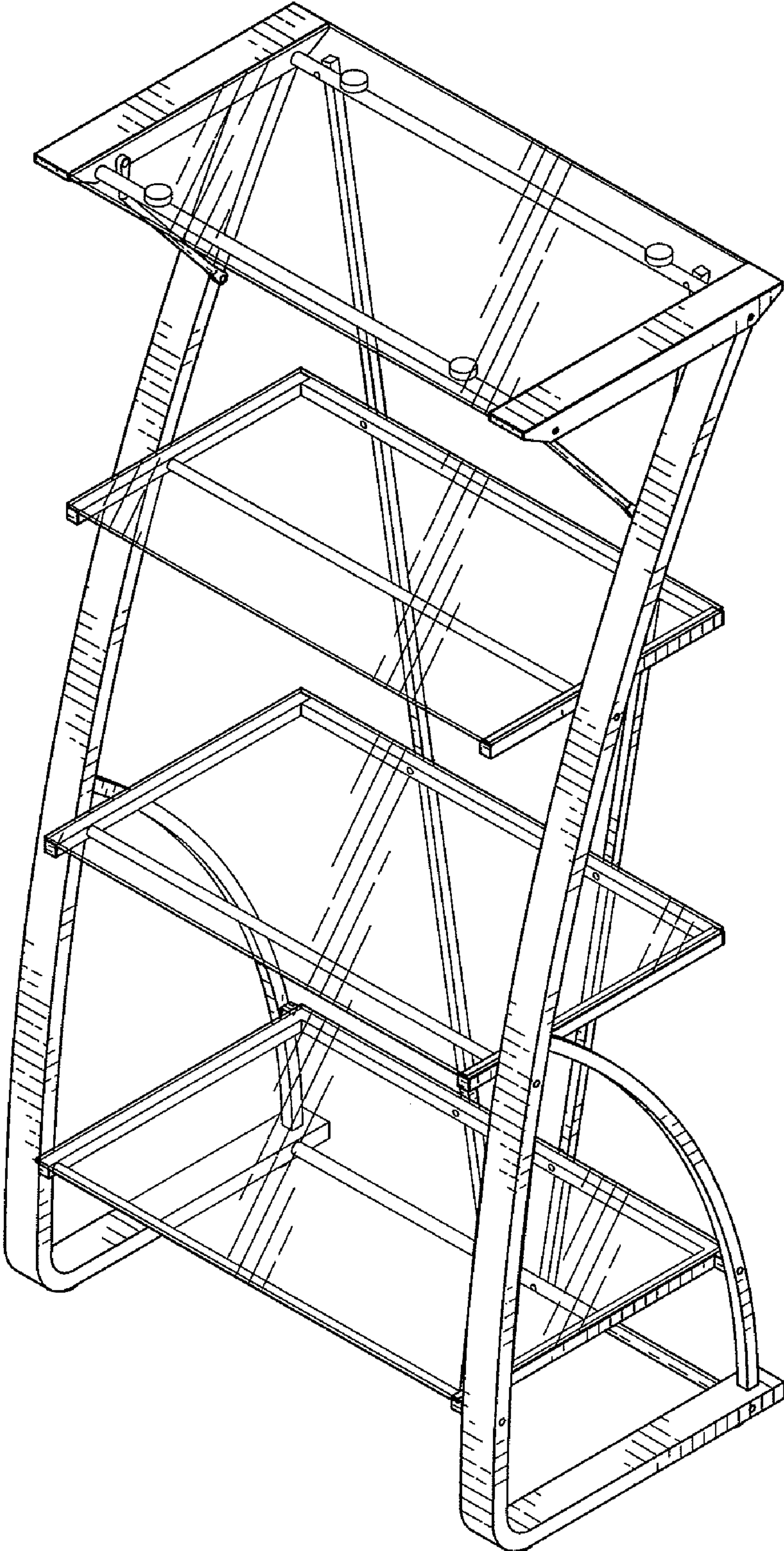


FIG. 1

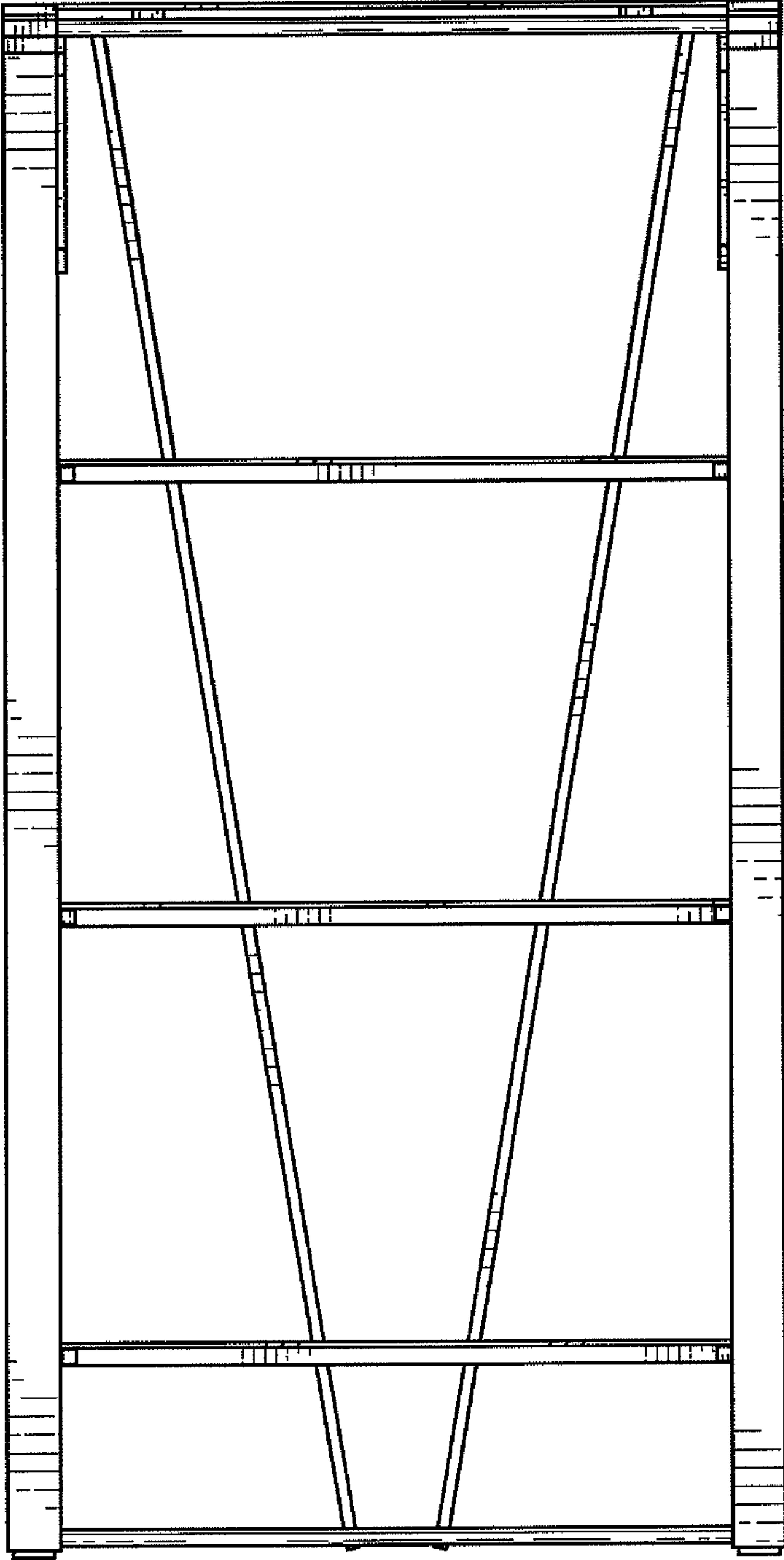


FIG. 2

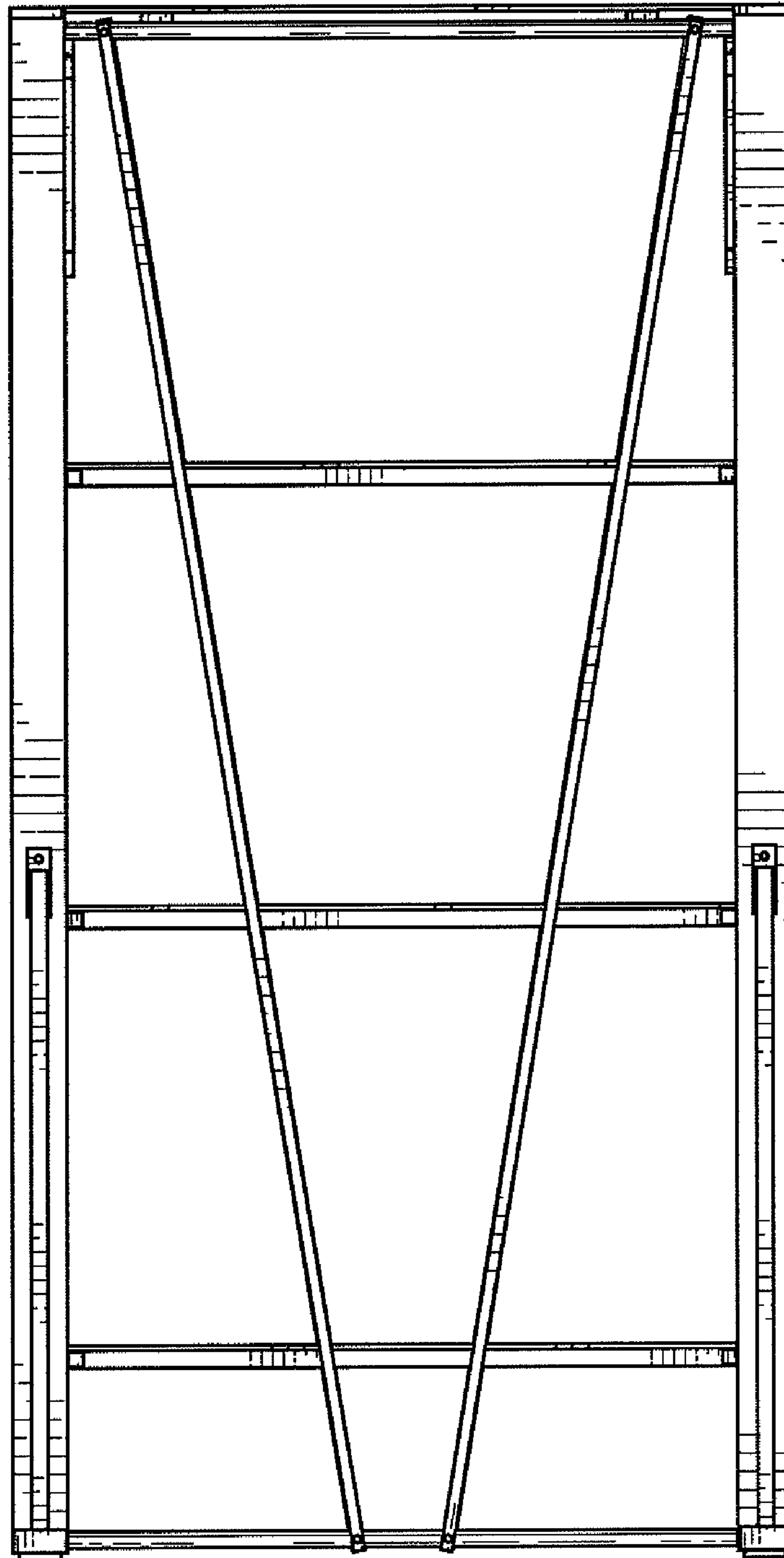


FIG. 3

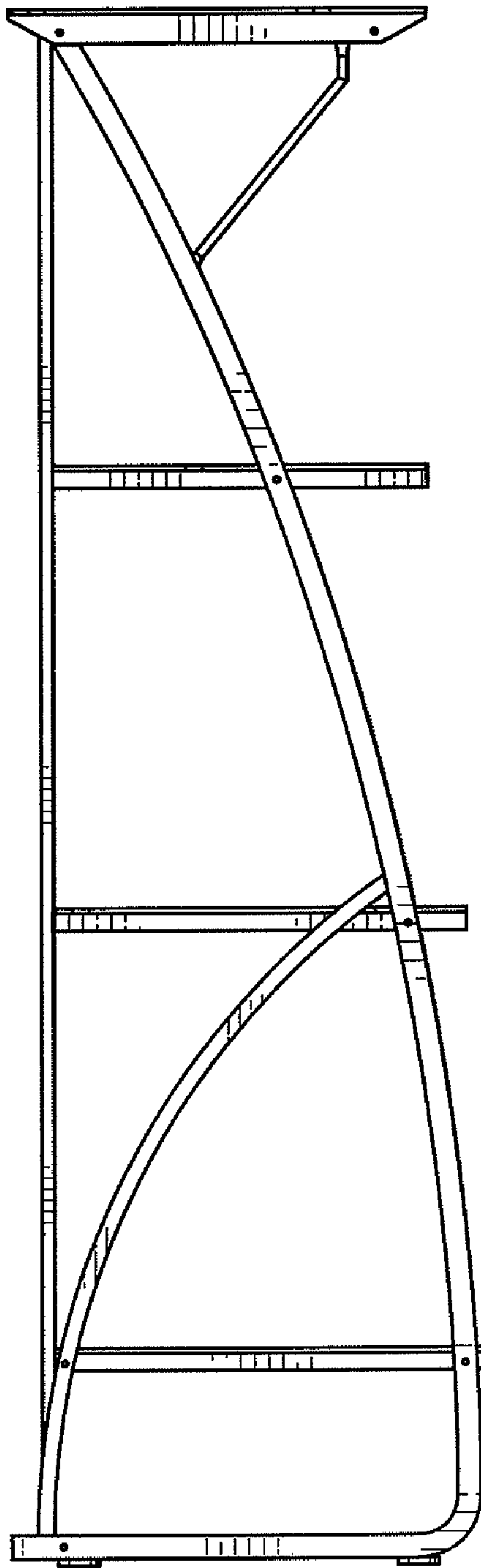


FIG. 4

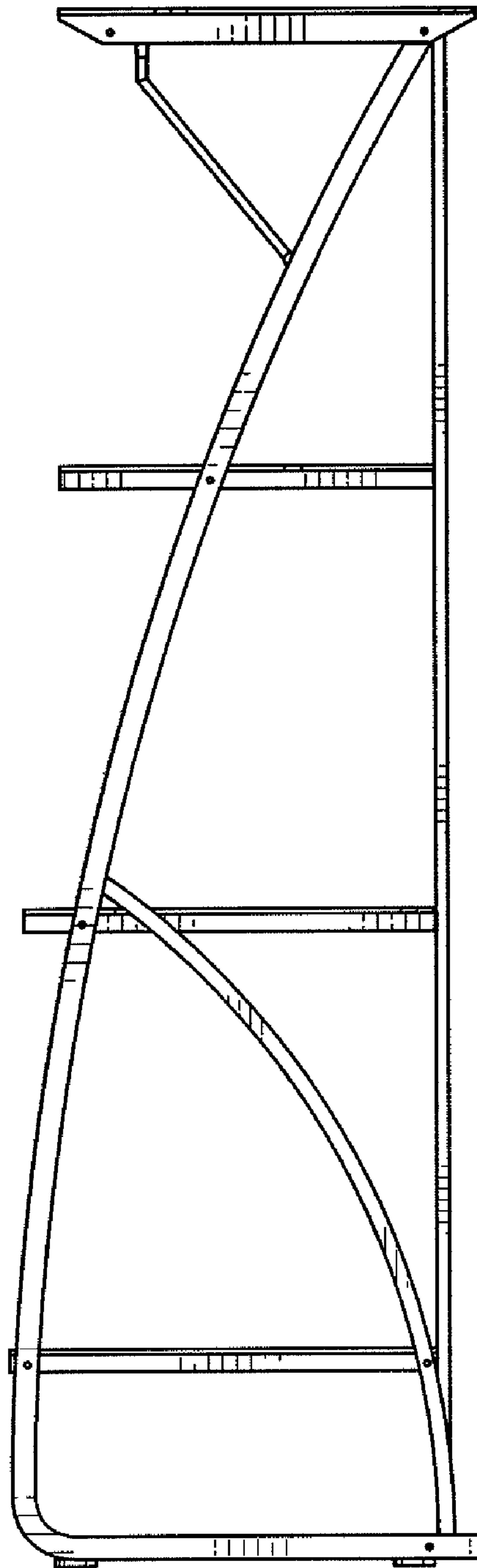


FIG. 5

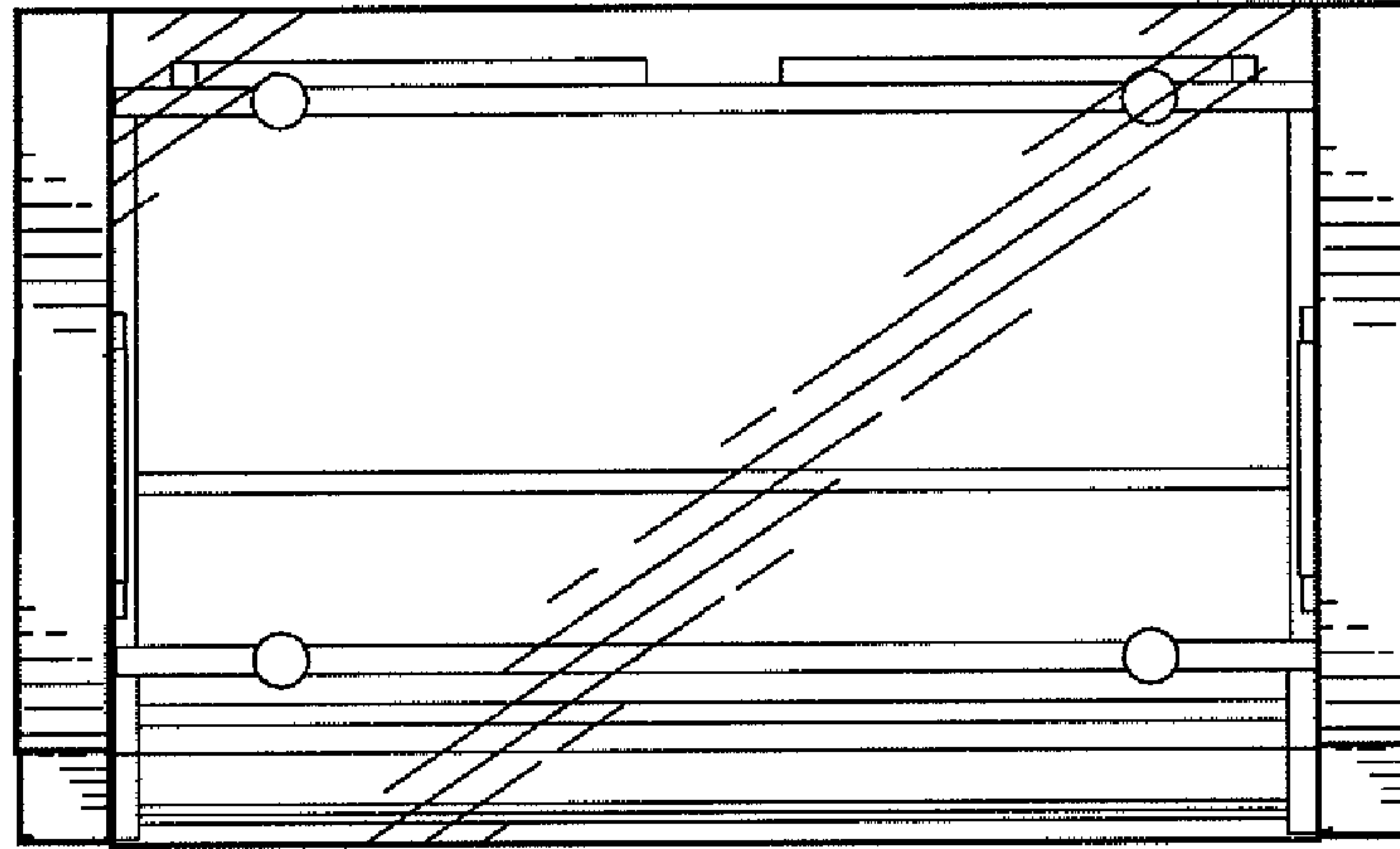


FIG. 6

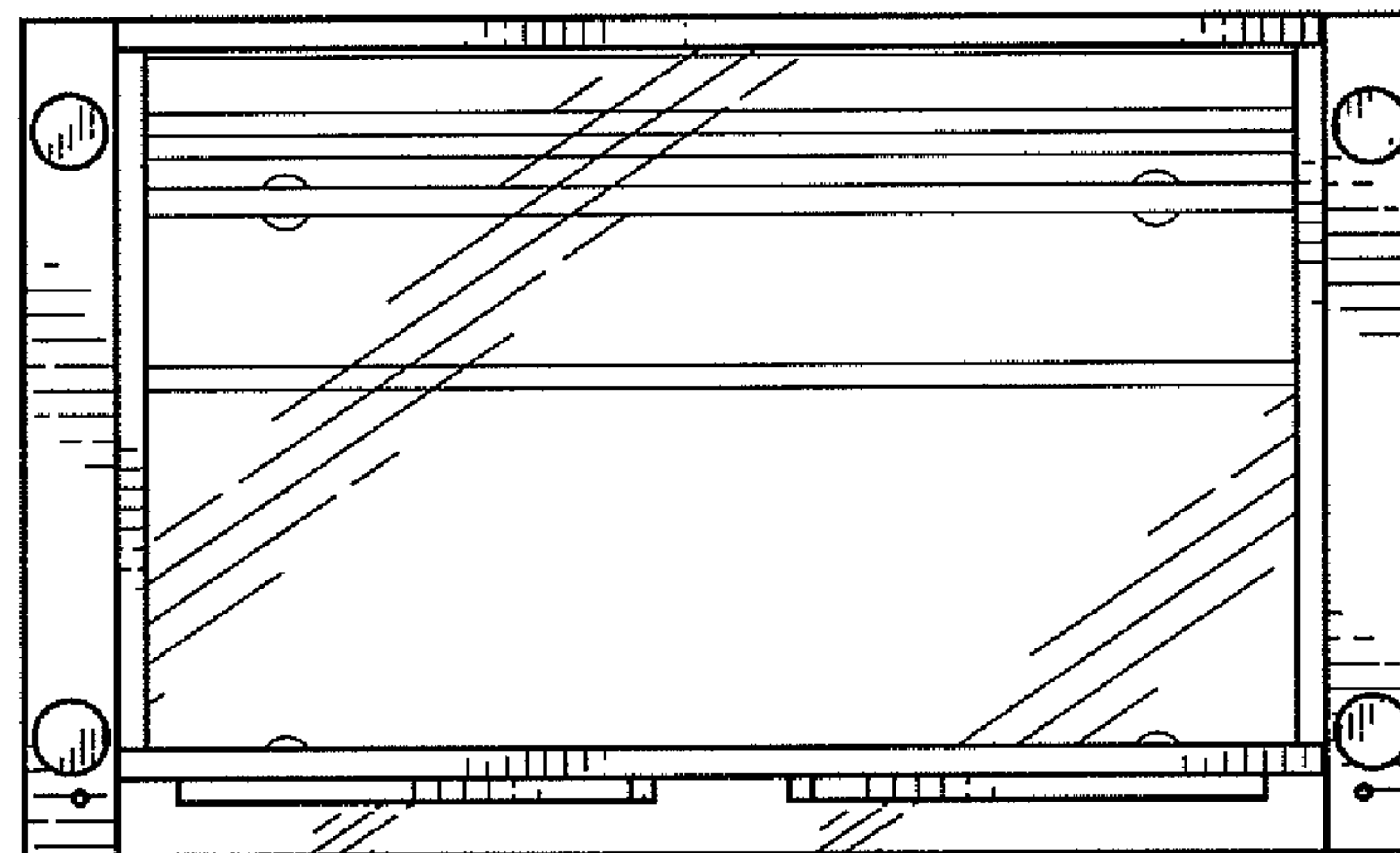


FIG. 7