



US00D614416S

(12) **United States Design Patent**
Garzon

(10) **Patent No.:** **US D614,416 S**
(45) **Date of Patent:** **** Apr. 27, 2010**

(54) **CHAIR**

(75) Inventor: **Alex Garzon**, 303 Melvin Ave.,
Morrisville, PA (US) 19067

(73) Assignee: **Alex Garzon**, Morrisville, PA (US)

(**) Term: **14 Years**

(21) Appl. No.: **29/345,284**

(22) Filed: **Oct. 13, 2009**

(51) **LOC (9) Cl.** **06-01**

(52) **U.S. Cl.** **D6/375**

(58) **Field of Classification Search** D6/334-336,
D6/370, 374, 375, 376, 379, 380, 500-502;
297/239, 445.1, 446.1, 451.1, 451.11, 452.12,
297/452.14, 452.19, 452.29, DIG. 2
See application file for complete search history.

(56) **References Cited**

U.S. PATENT DOCUMENTS

2,439,322	A *	4/1948	Thaden	297/451.1
D225,801	S *	1/1973	Torrey	D6/375
D360,083	S *	7/1995	Lohmeyer	D6/375
D365,454	S *	12/1995	Thomson	D6/380
D390,026	S *	2/1998	Biecher	D6/375
D426,972	S *	6/2000	Bellini	D6/375

D473,407	S *	4/2003	Ross	D6/500
D492,131	S *	6/2004	Starck	D6/375
D512,237	S *	12/2005	Messier	D6/375
D544,230	S *	6/2007	Glass et al.	D6/375
D555,379	S *	11/2007	Ziliani	D6/375
D580,674	S *	11/2008	Naranjo et al.	D6/375
D600,035	S *	9/2009	Olano Jauregui	D6/375

* cited by examiner

Primary Examiner—Mimosa De

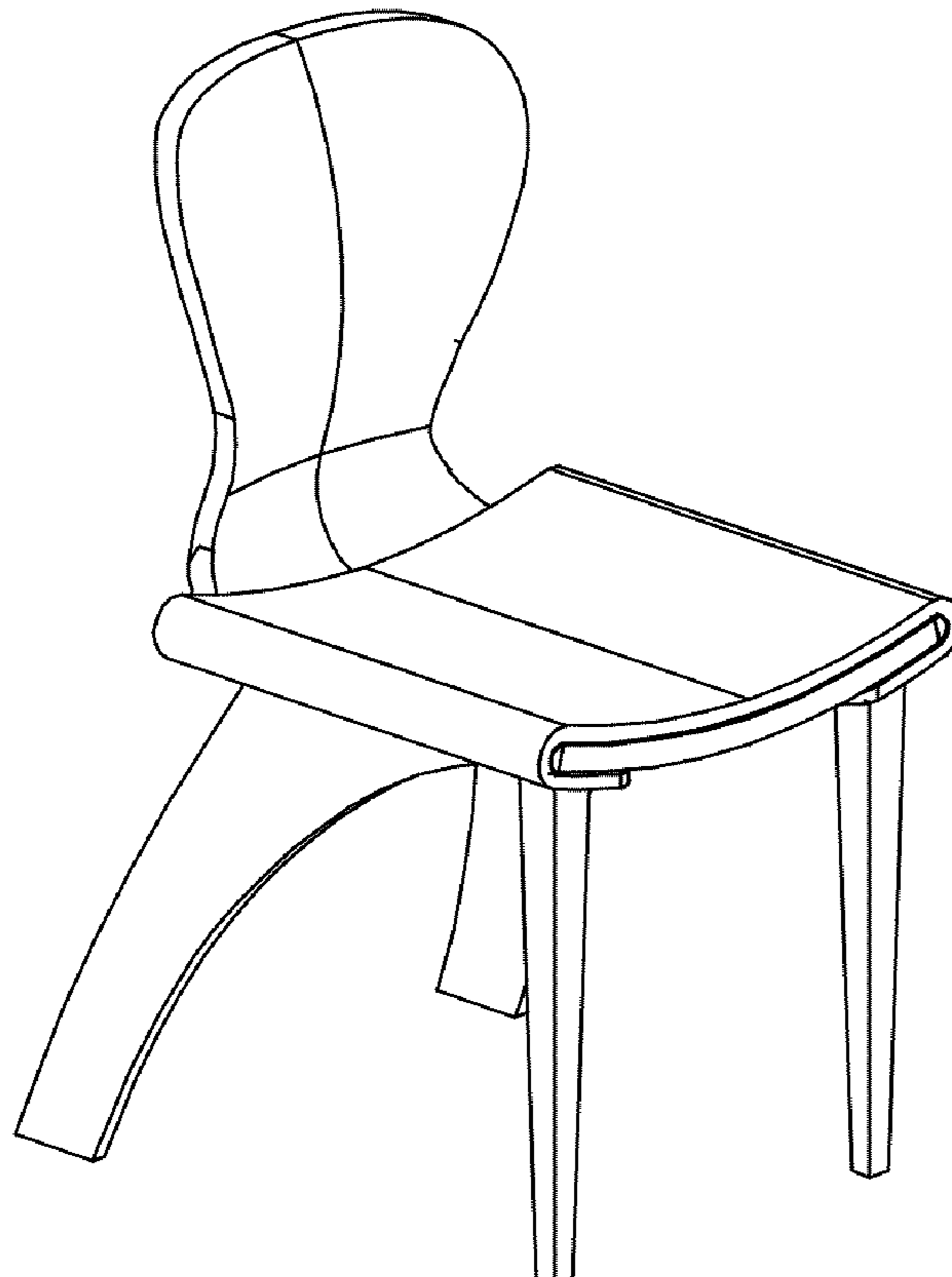
(57) **CLAIM**

The ornamental design for a chair, as shown and described.

DESCRIPTION

FIG. 1 is a front view of a chair showing my new design;
 FIG. 2 is a side top perspective view thereof;
 FIG. 3 is a right side view thereof, the opposite side being a mirror image thereof;
 FIG. 4 is a back view thereof;
 FIG. 5 is a bottom view thereof;
 FIG. 6 is a back right perspective view thereof;
 FIG. 7 is a front left perspective view thereof; and,
 FIG. 8 is a side bottom perspective view thereof.

1 Claim, 4 Drawing Sheets



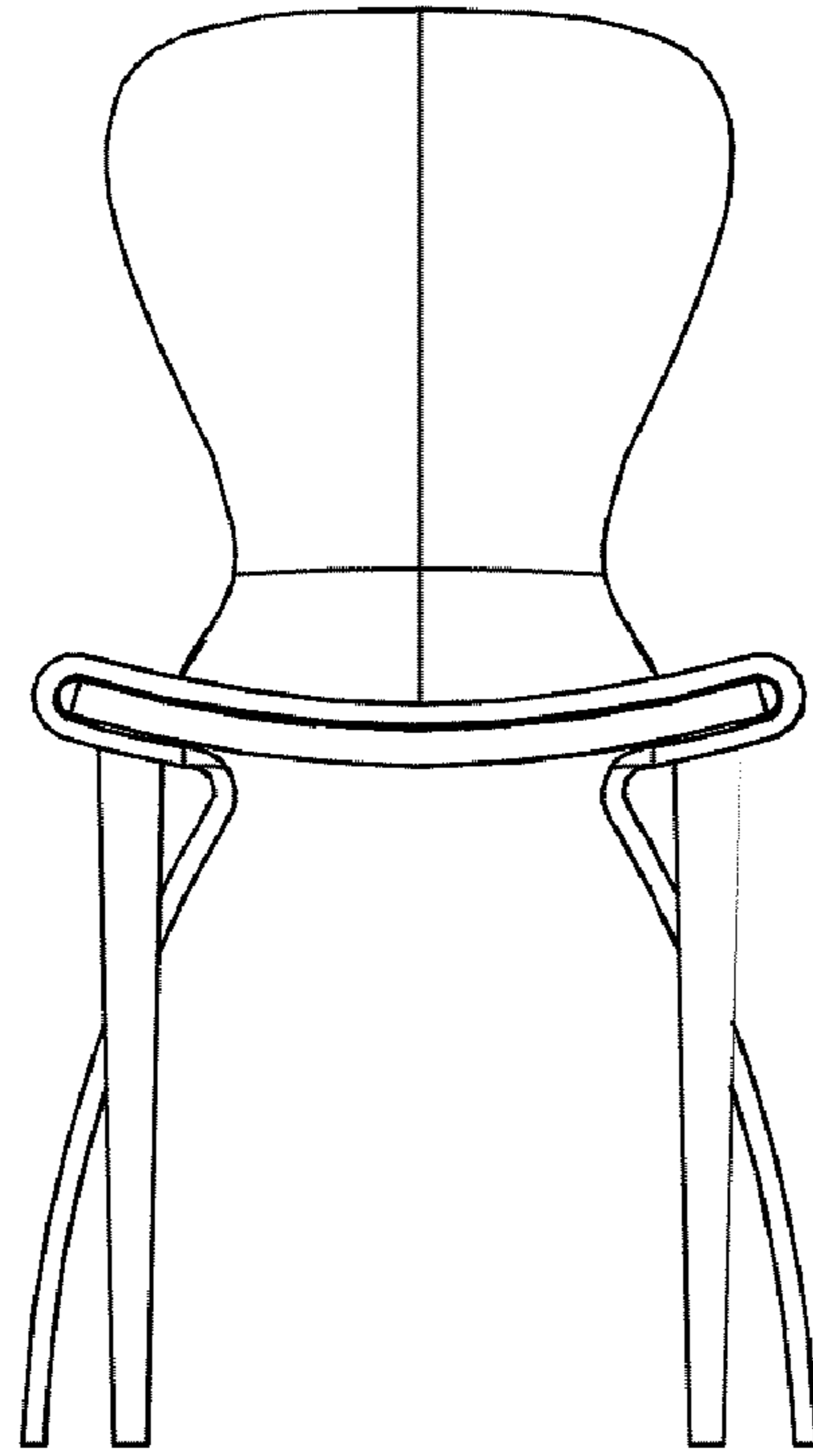


FIG.1

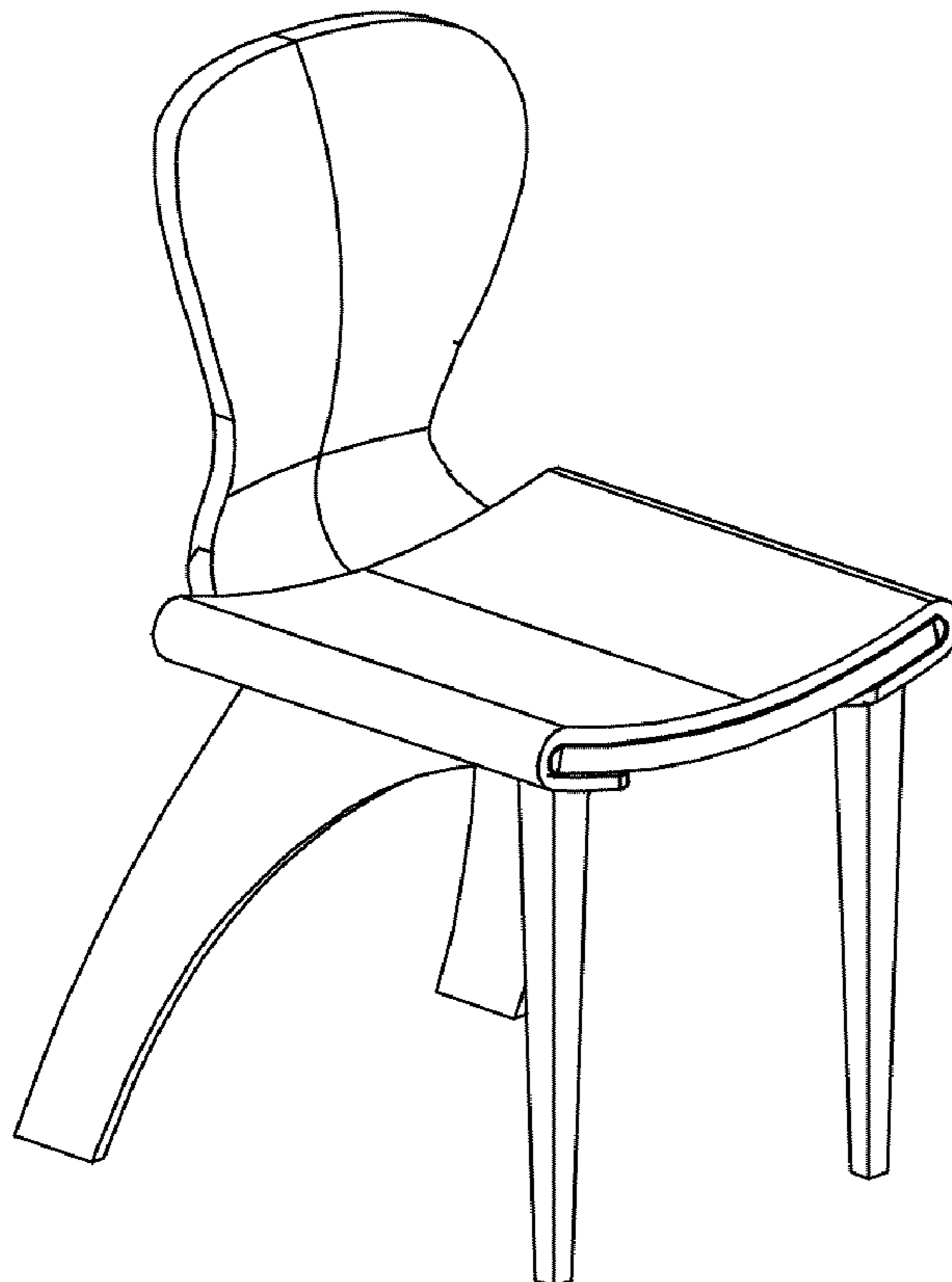


FIG.2

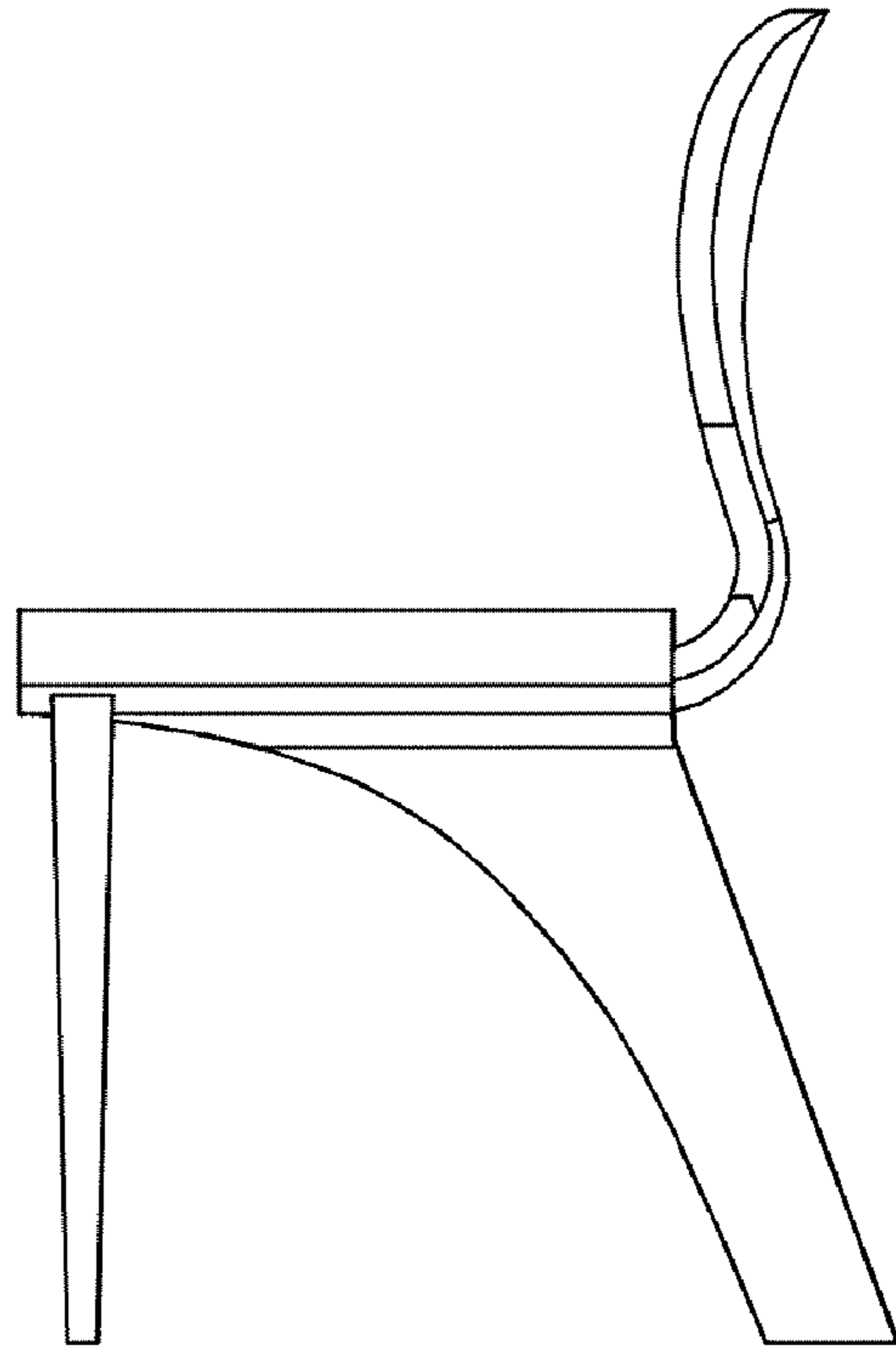


FIG.3

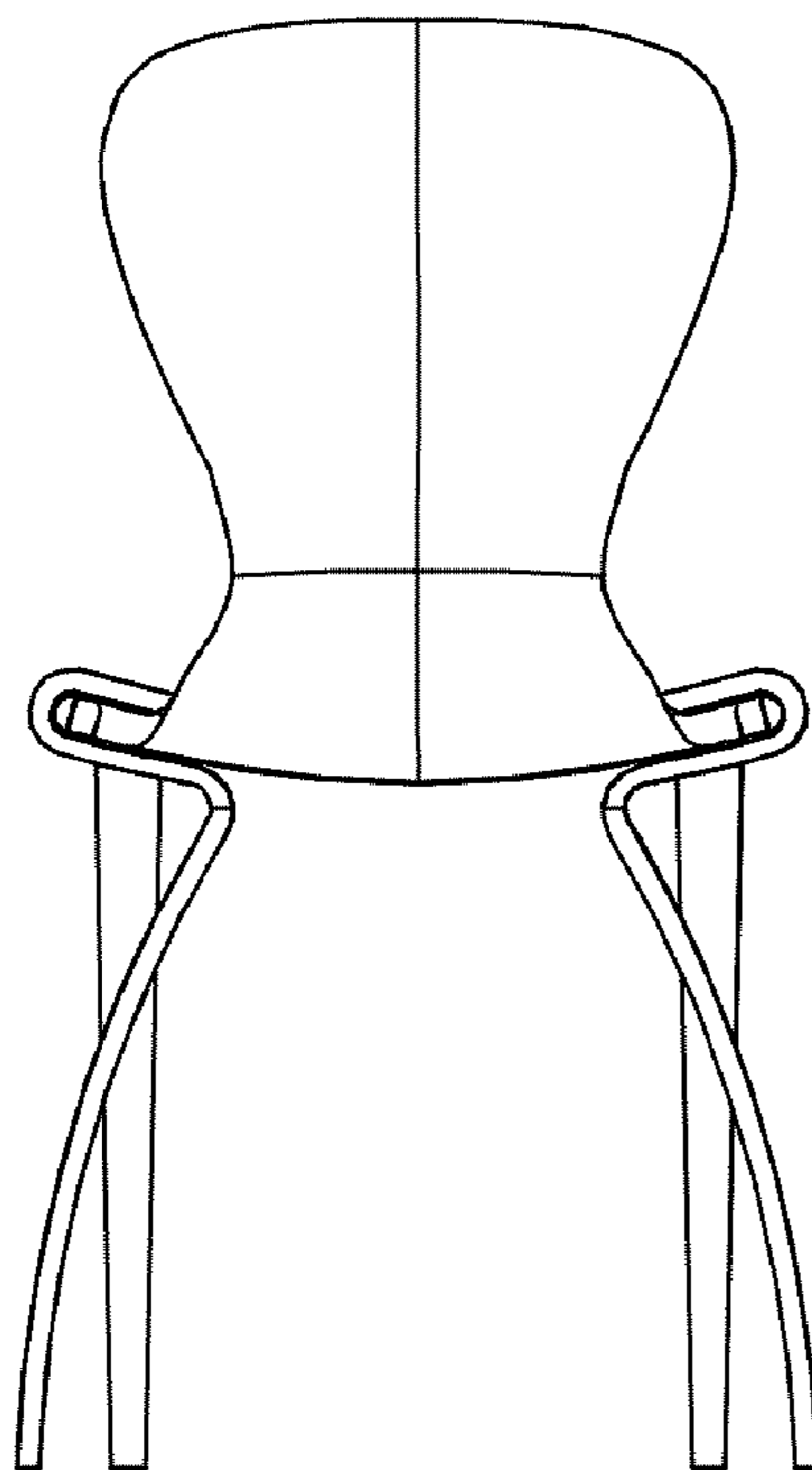


FIG.4

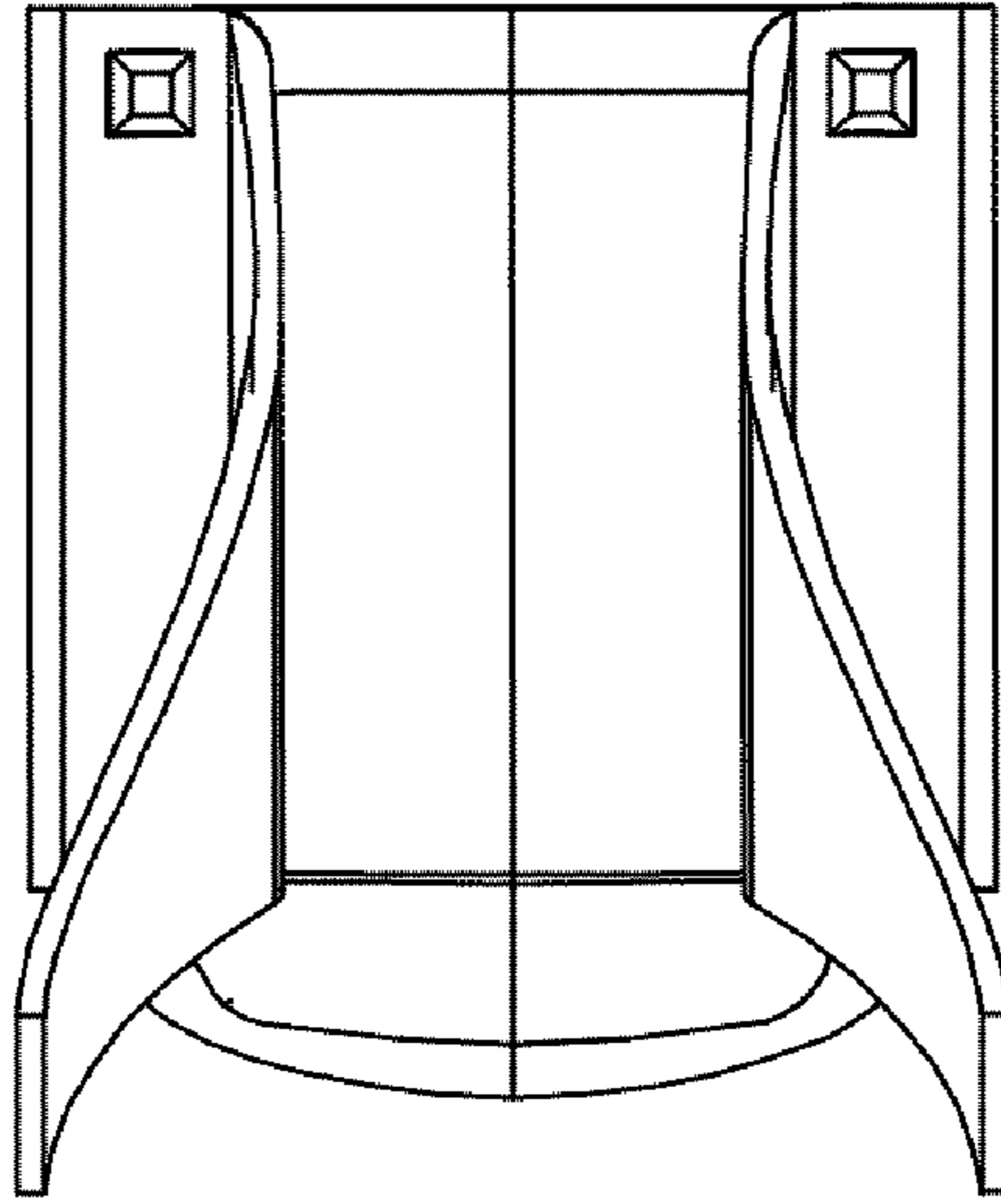


FIG. 5

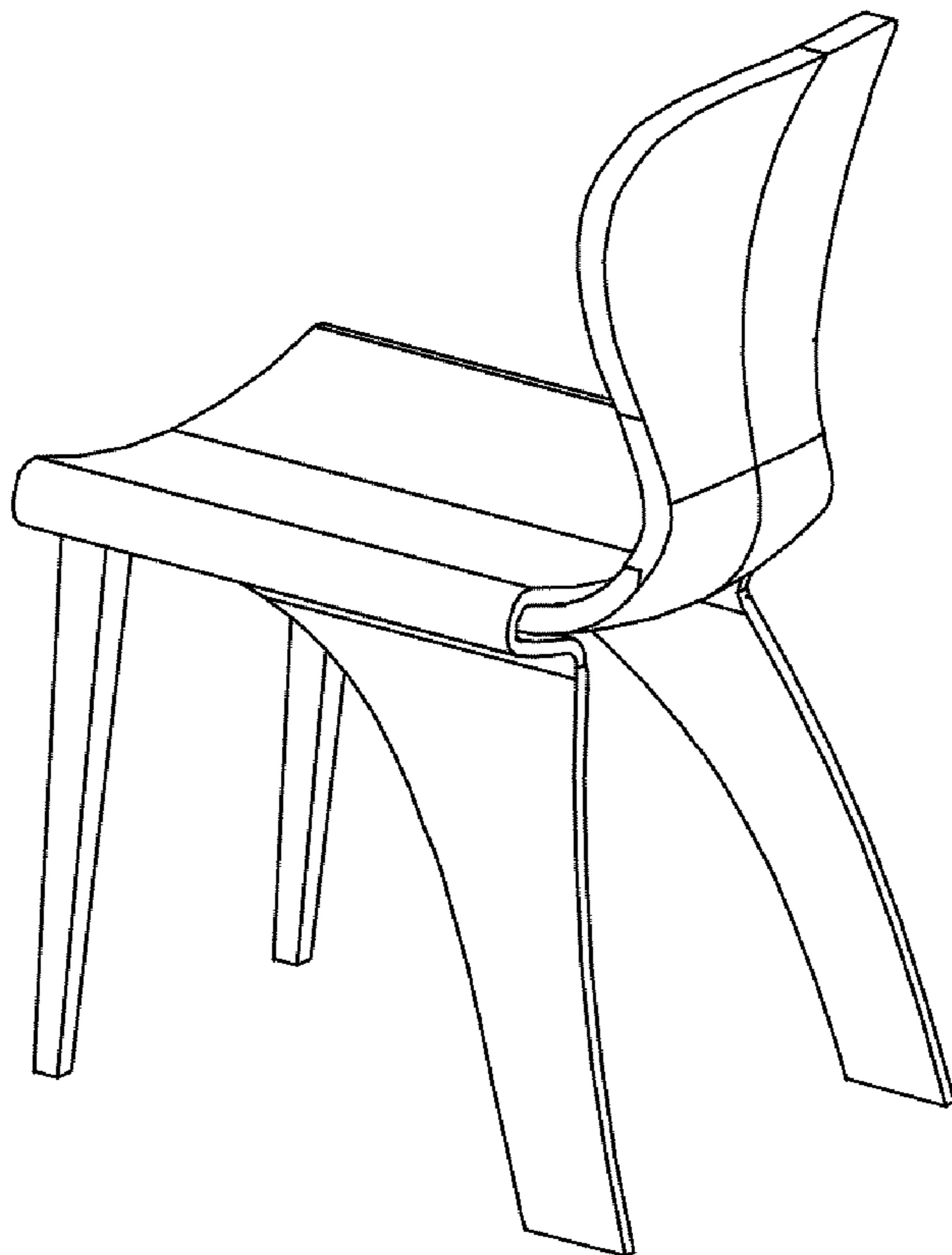


FIG. 6

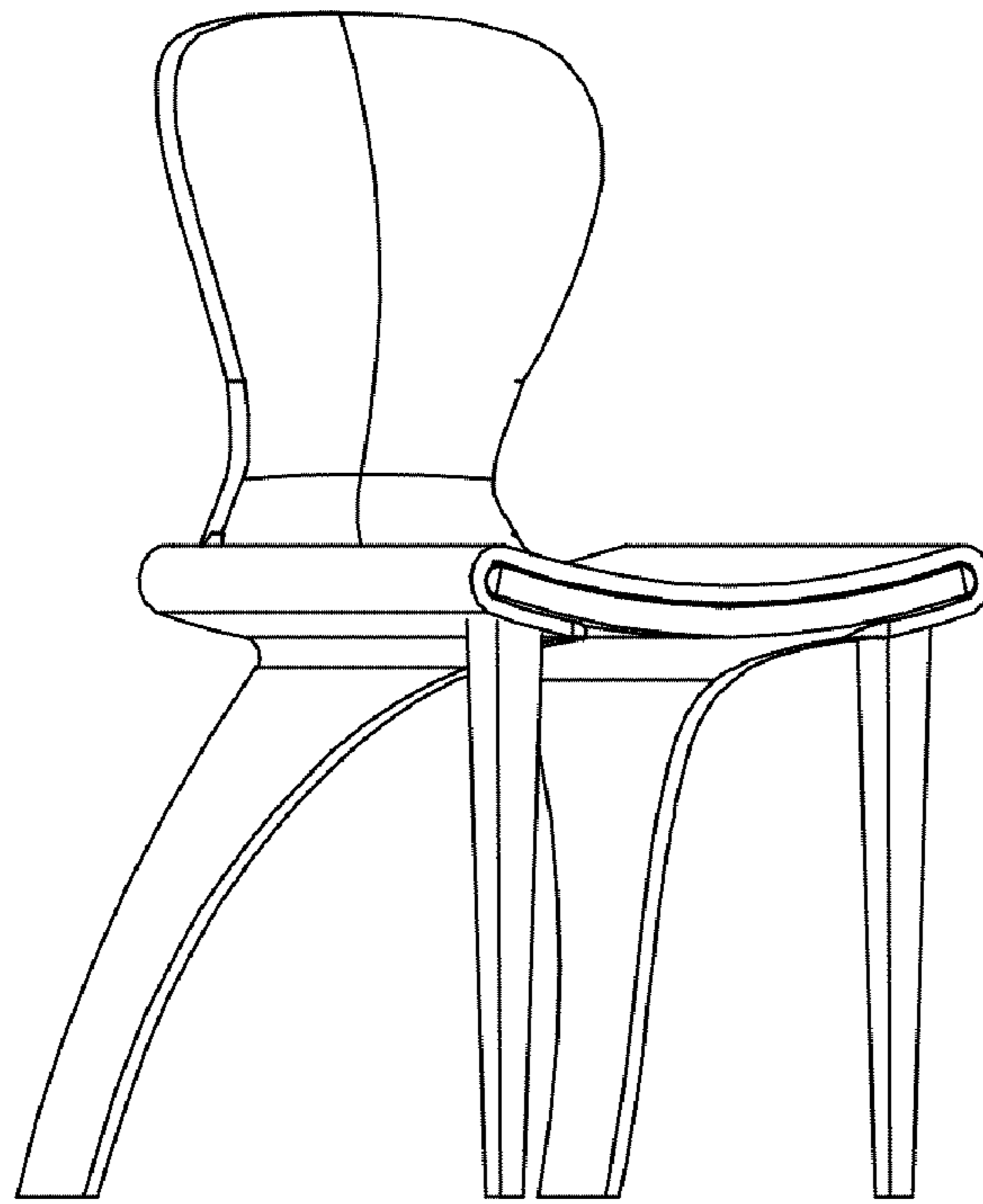


FIG.7

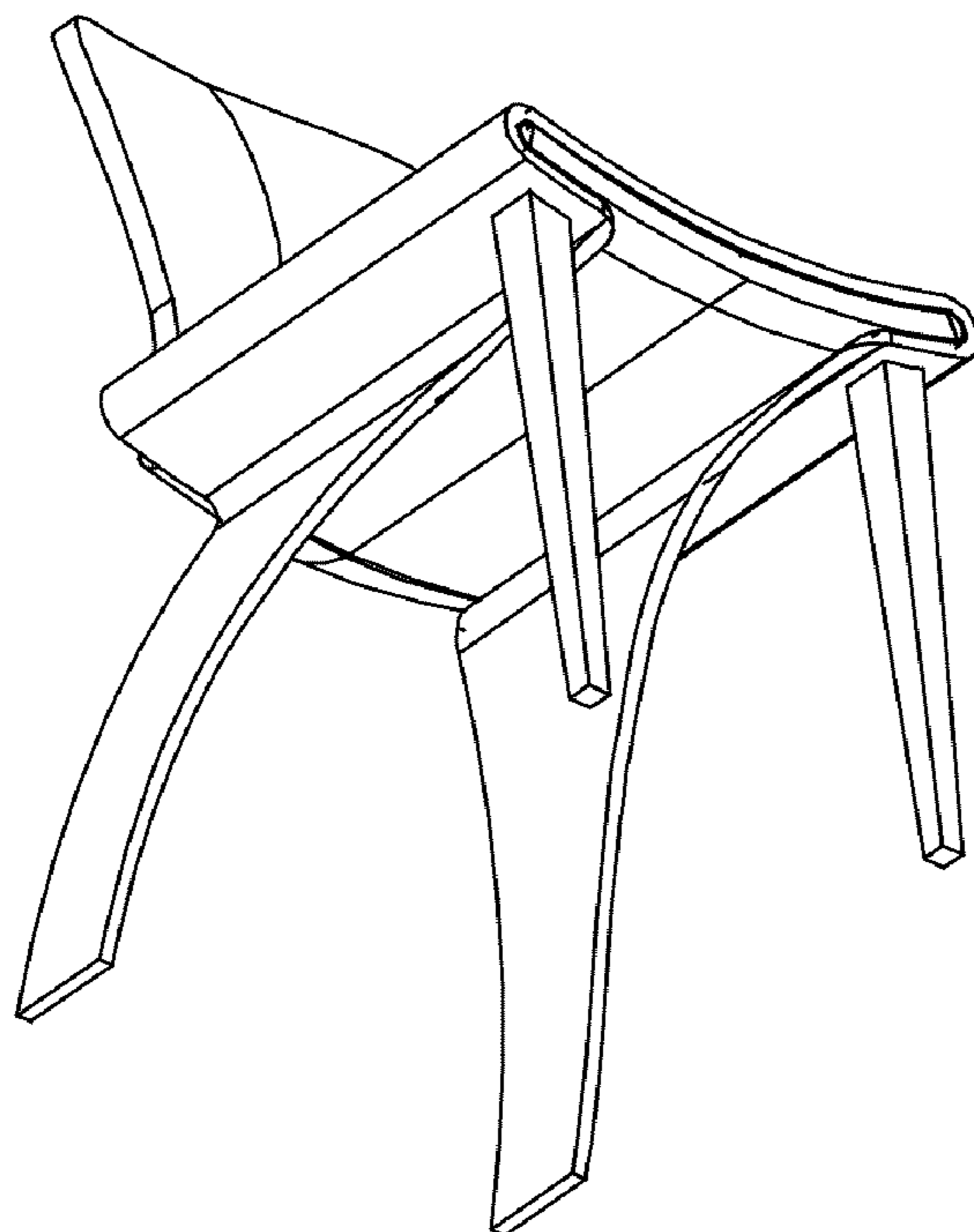


FIG.8