



US00D614404S

(12) **United States Design Patent**  
**Brunner**

(10) **Patent No.:** **US D614,404 S**  
(45) **Date of Patent:** **\*\* Apr. 27, 2010**

(54) **TOOL ORGANIZER**

(75) Inventor: **Yaron Brunner**, Timrat (IL)

(73) Assignee: **Keter Plastic Ltd.**, Herzelyia (IL)

(\*\*) Term: **14 Years**

(21) Appl. No.: **29/347,120**

(22) Filed: **Sep. 25, 2009**

(51) **LOC (9) Cl.** ..... **03-01**

(52) **U.S. Cl.** ..... **D3/304; D3/315; D3/905**

(58) **Field of Classification Search** ..... D3/304-309,  
D3/313, 315, 901, 904, 905; D32/53, 53.1,  
D32/54; 220/500, 505, 506, 507, 555, 752,  
220/756, 904, 659; 206/225, 373, 233, 349,  
206/518; 211/70.6; 294/146

See application file for complete search history.

(56) **References Cited**

**U.S. PATENT DOCUMENTS**

D198,236	S	*	5/1964	Schaefer	.....	D3/308
D212,995	S	*	12/1968	Myers	.....	D3/308
D252,479	S	*	7/1979	Goeden	.....	D3/306
4,428,493	A	*	1/1984	McDonough	.....	220/555
D314,279	S	*	2/1991	Hotchkiss	.....	D3/309
D325,280	S	*	4/1992	Nelson	.....	D3/309
D327,562	S	*	6/1992	Brightbill	.....	D3/308
D329,135	S	*	9/1992	Embree	.....	D3/308
D346,682	S	*	5/1994	Trovato	.....	D3/308
D357,119	S	*	4/1995	Calmeise et al.	.....	D3/308
D361,664	S	*	8/1995	Brown	.....	D3/315
D364,039	S	*	11/1995	Kruger	.....	D3/315
D386,616	S	*	11/1997	Nimer	.....	D3/308

5,702,140	A	*	12/1997	Radja	.....	294/146
D420,221	S	*	2/2000	Williams et al.	.....	D3/315
6,039,205	A	*	3/2000	Flink	.....	220/659
6,460,697	B1	*	10/2002	Stevens	.....	206/225
6,516,948	B1	*	2/2003	Caballero	.....	206/373
6,745,895	B2	*	6/2004	Silvers	.....	206/233
D522,751	S	*	6/2006	Irwin et al.	.....	D3/315
2007/0205166	A1	*	9/2007	Meinhardt	.....	211/70.6

\* cited by examiner

*Primary Examiner*—Robert M Spear

*Assistant Examiner*—Rashida C McCoy

(74) *Attorney, Agent, or Firm*—The Nath Law Group; Derek Richmond; Jiaxiao Zhang

(57) **CLAIM**

The ornamental design for a tool organizer, as shown and described.

**DESCRIPTION**

FIG. 1 is a front perspective view of a tool organizer;

FIG. 2 is a bottom perspective view of the tool organizer shown in FIG. 1;

FIG. 3 is a front view of the tool organizer shown in FIG. 1;

FIG. 4 is a rear view of the tool organizer shown in FIG. 1;

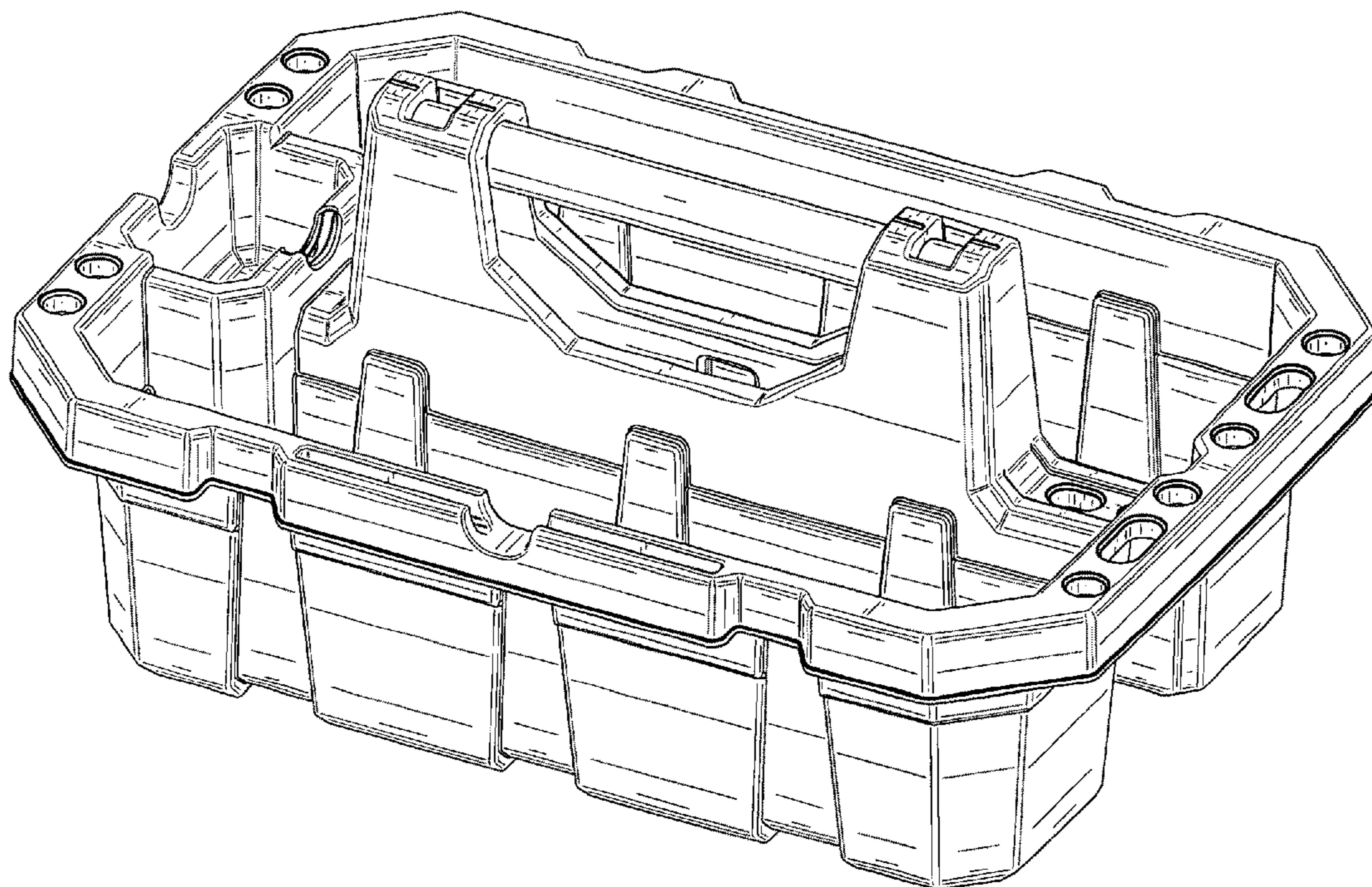
FIG. 5 is a left side view of the tool organizer shown in FIG. 1;

FIG. 6 is a right side view of the tool organizer shown in FIG. 1;

FIG. 7 is a top view of the tool organizer shown in FIG. 1; and,

FIG. 8 is a bottom view of the tool organizer shown in FIG. 1.

**1 Claim, 8 Drawing Sheets**





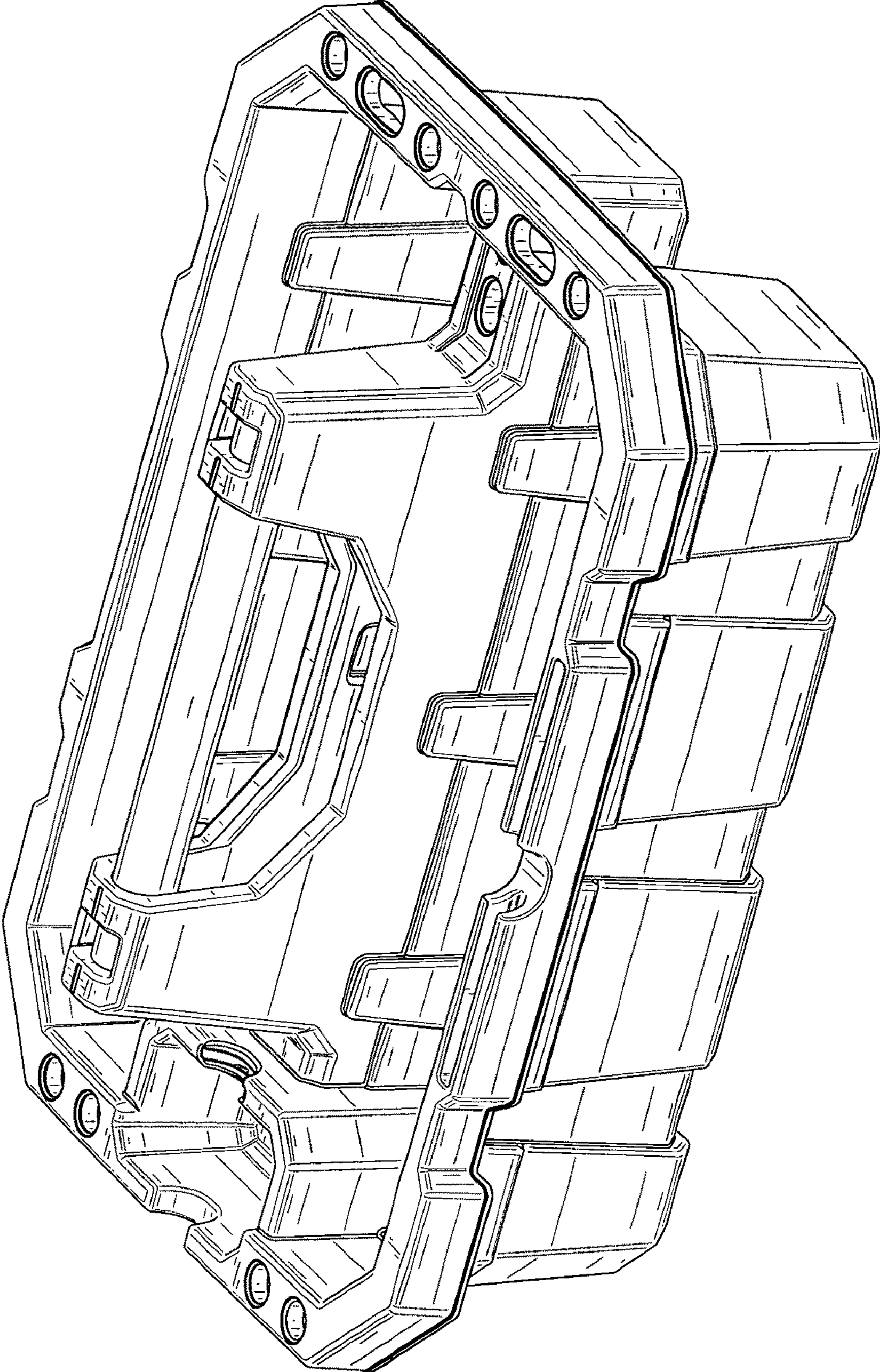


FIG. 1

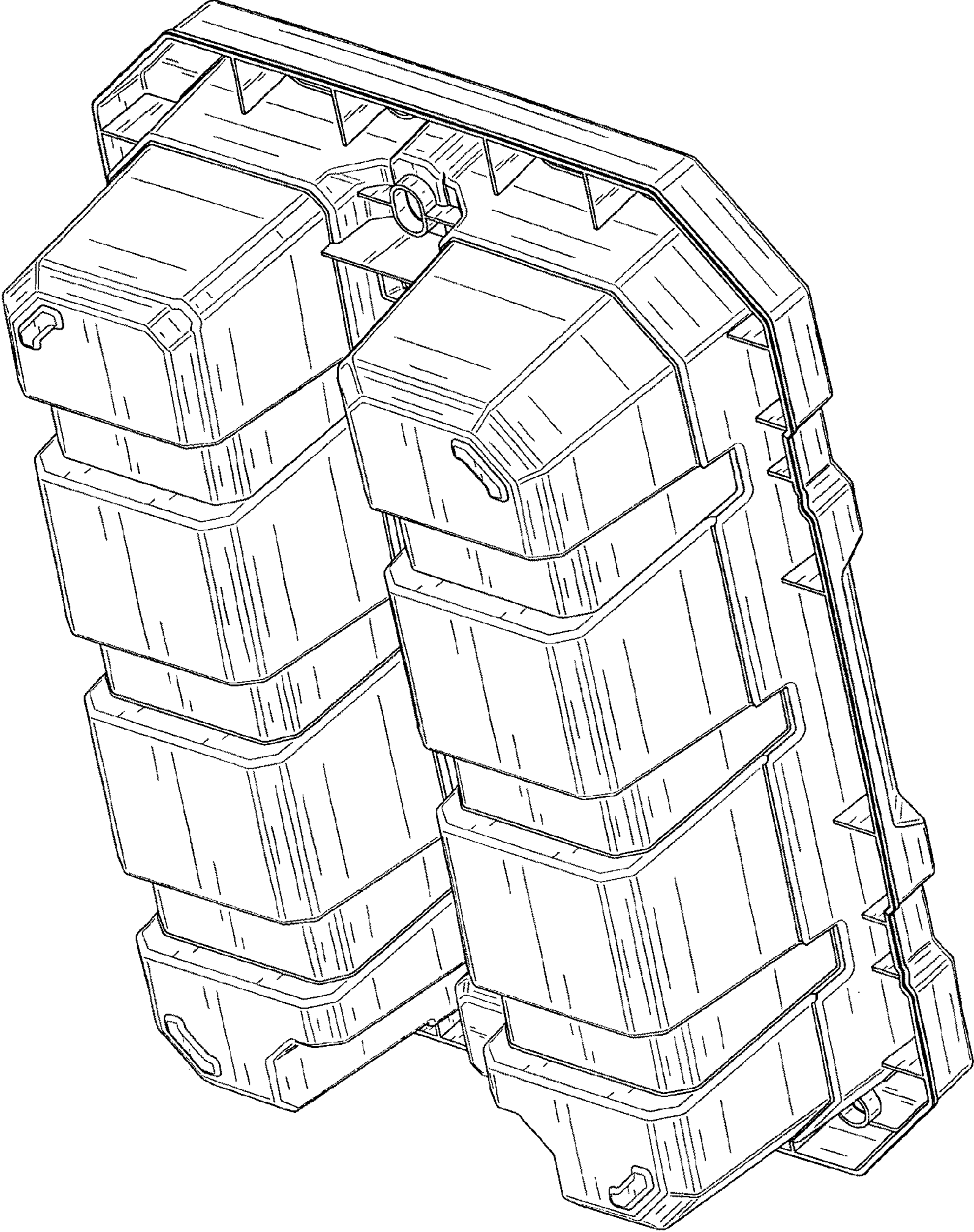


FIG. 2



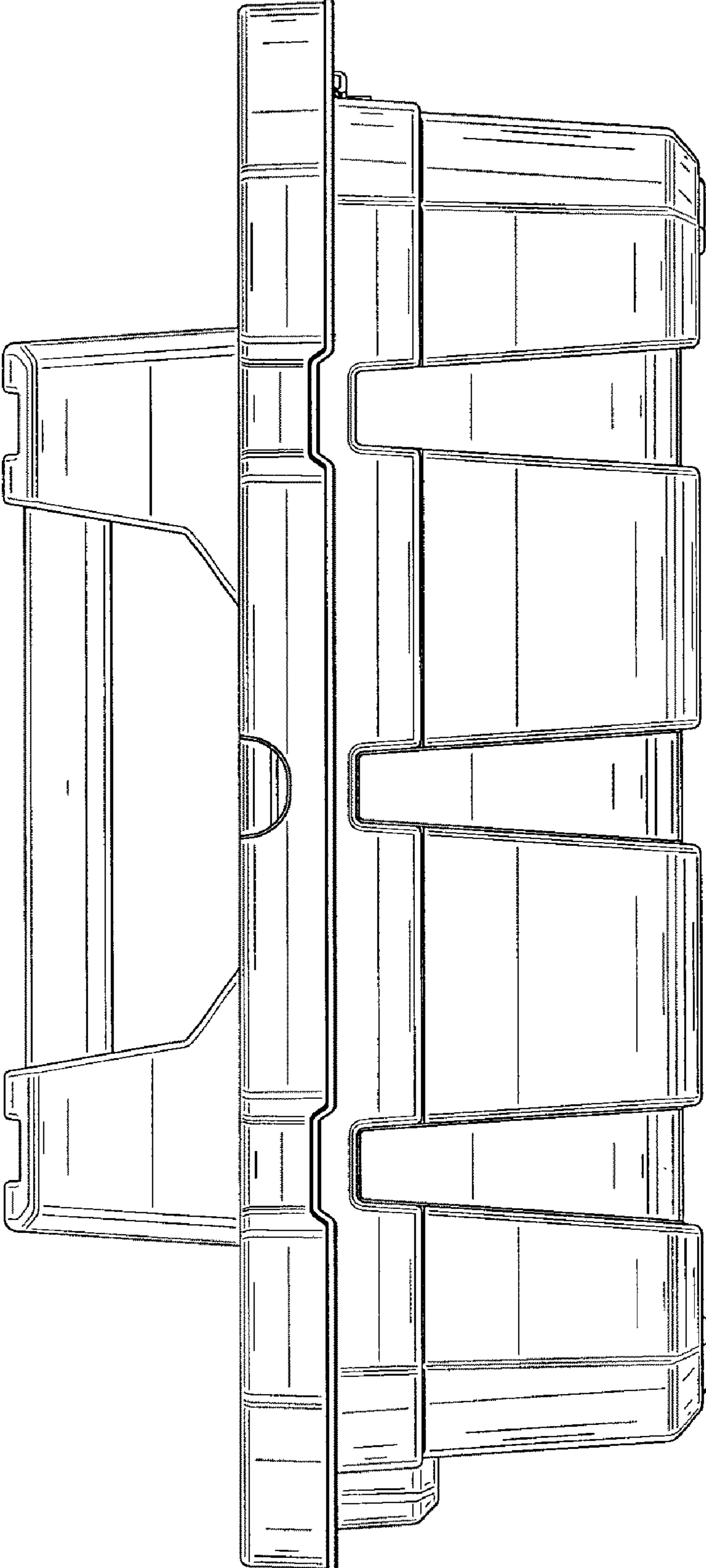


FIG. 3

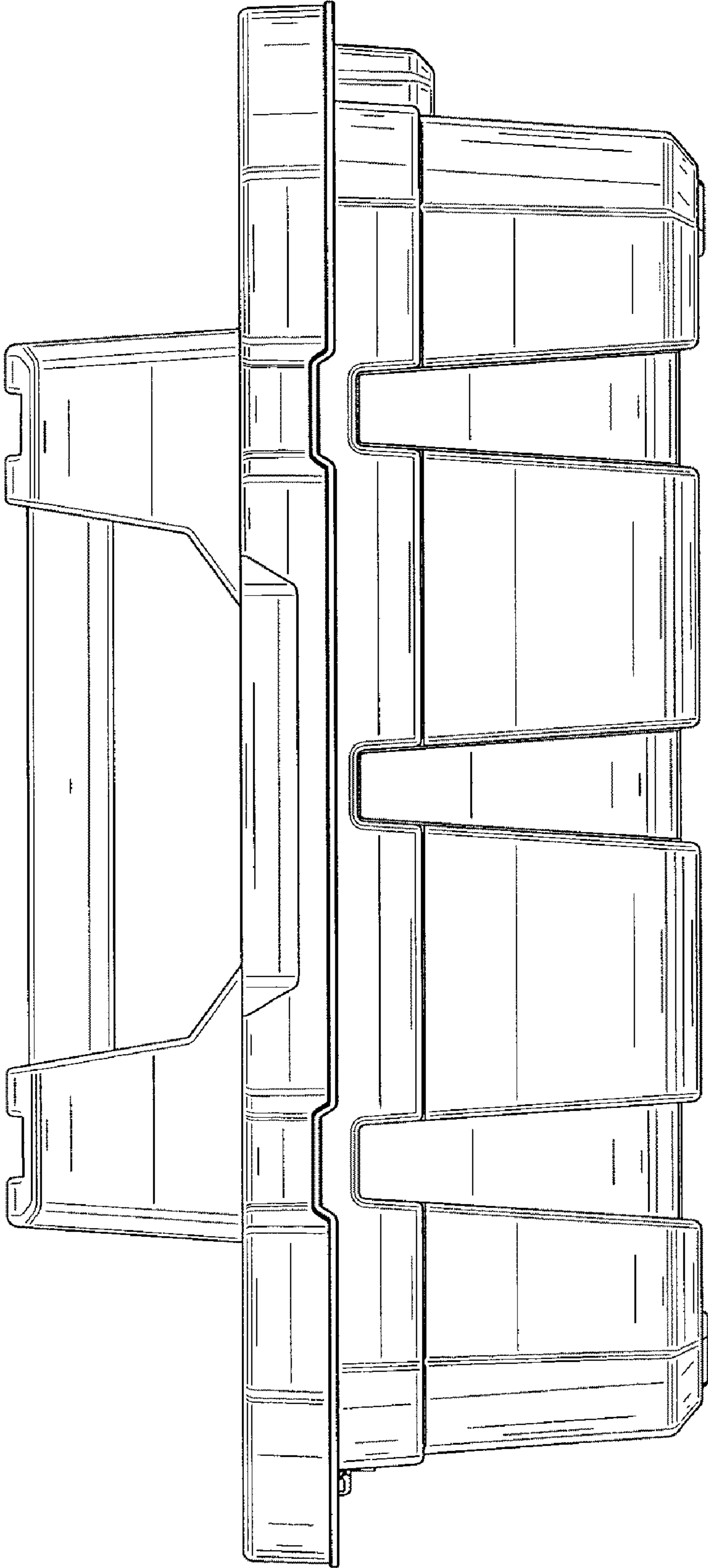


FIG. 4

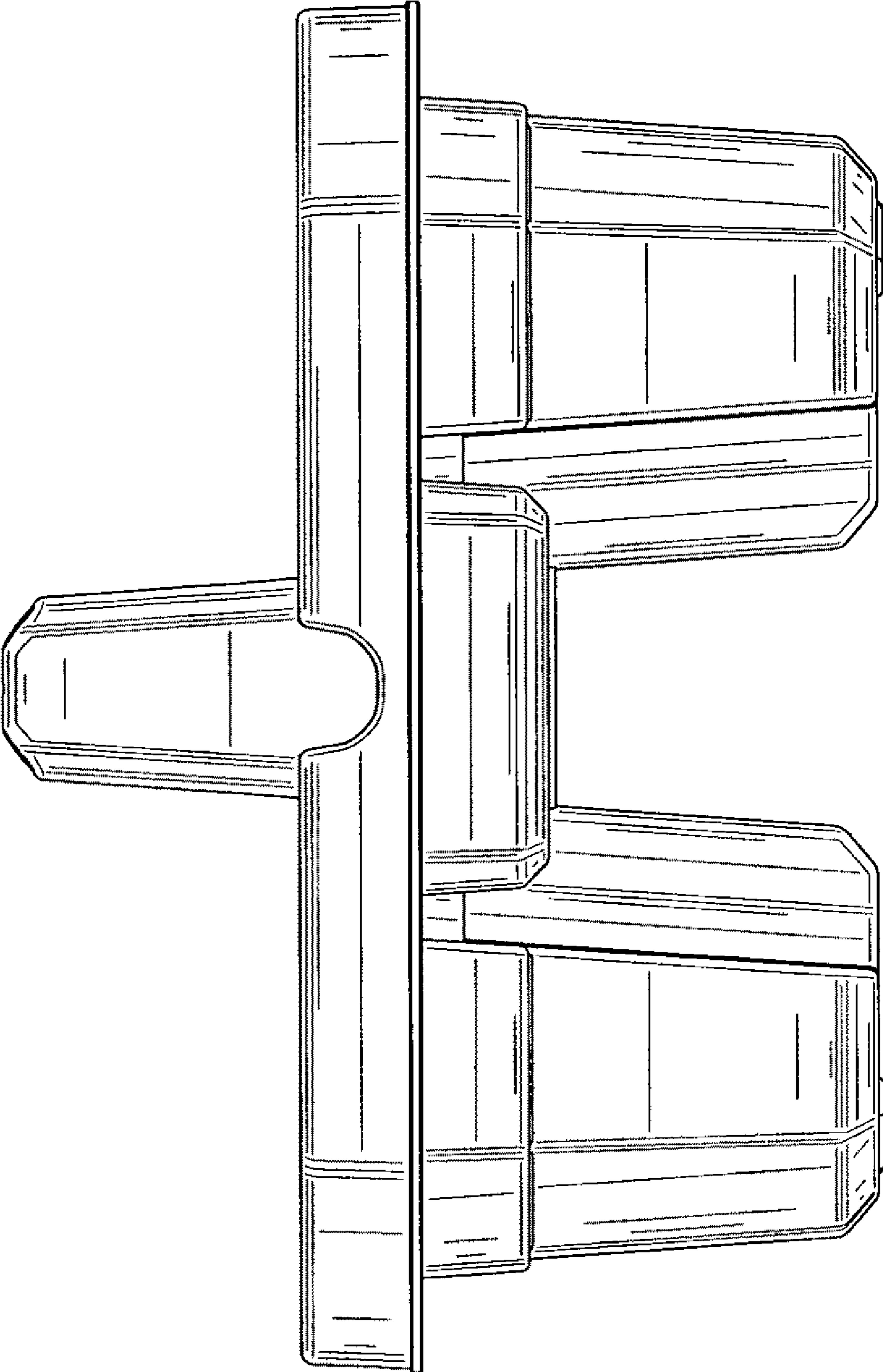


FIG. 5

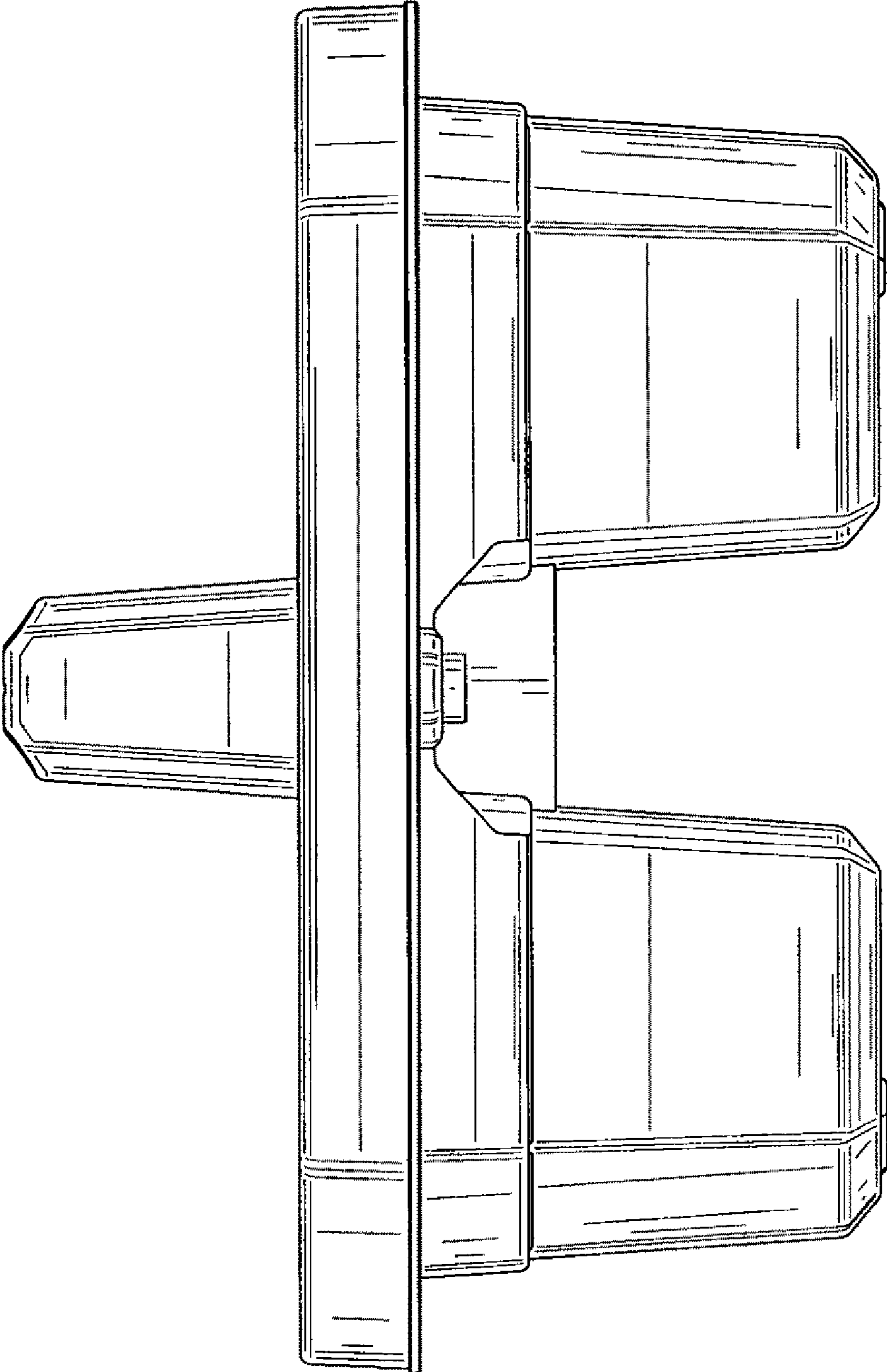


FIG. 6



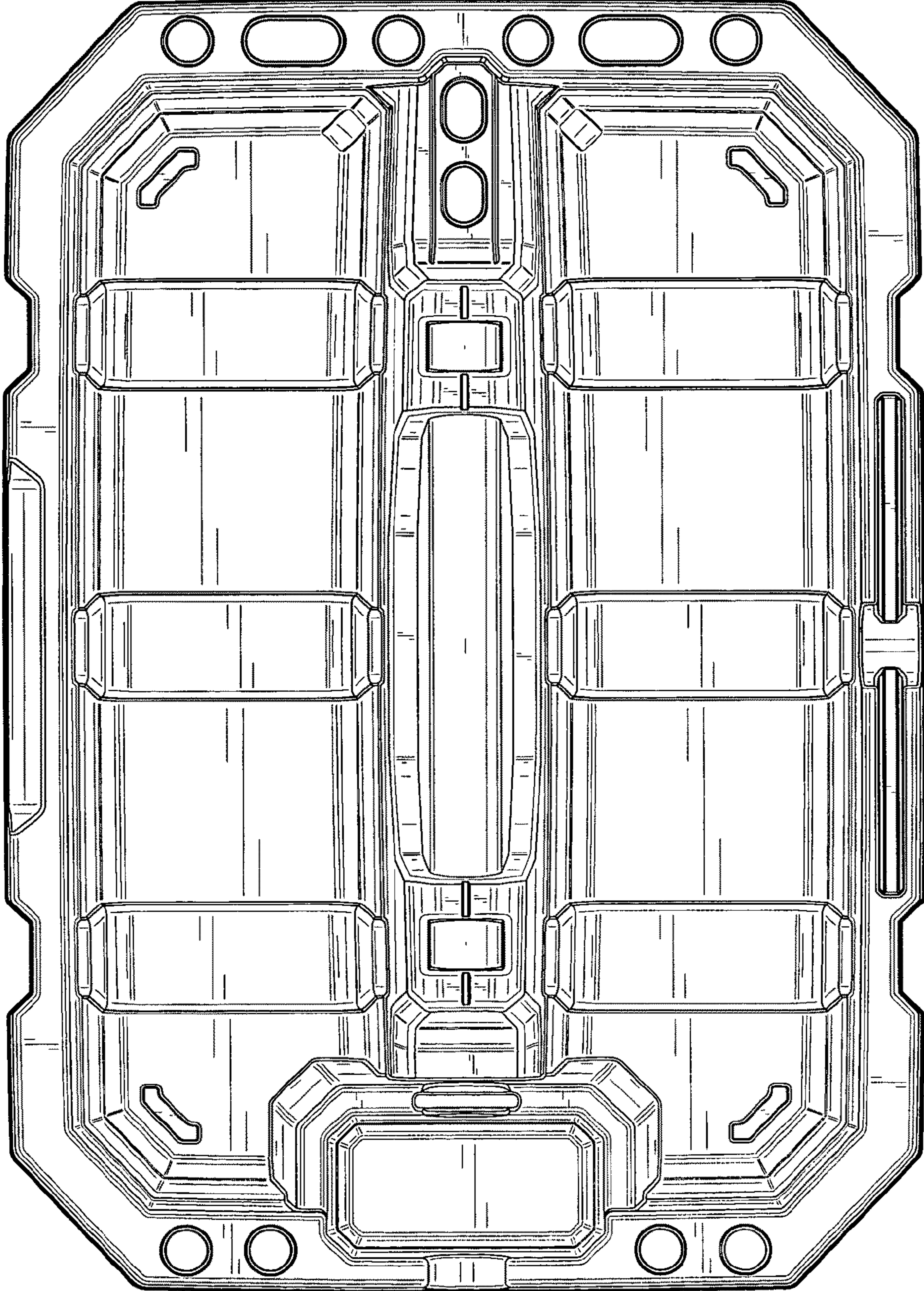


FIG. 7



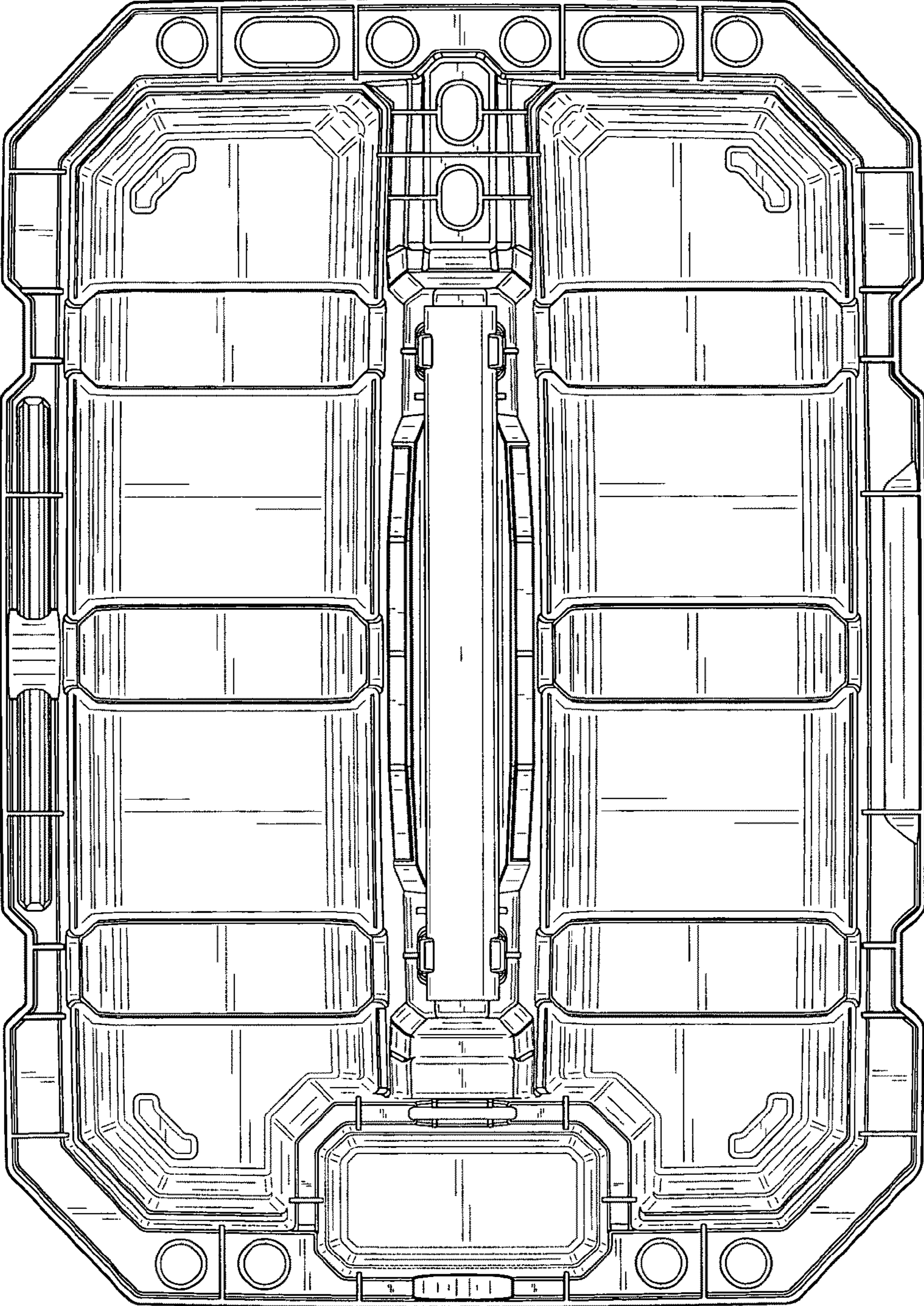


FIG. 8