



US00D614394S

(12) **United States Design Patent**
Koshiishi

(10) **Patent No.:** **US D614,394 S**

(45) **Date of Patent:** **** Apr. 27, 2010**

(54) **WALKING SUPPORT SYSTEM**

(75) Inventor: **Takeshi Koshiishi**, Wako (JP)

(73) Assignee: **Honda Motor Co., Ltd.**, Tokyo (JP)

(**) Term: **14 Years**

(21) Appl. No.: **29/335,991**

(22) Filed: **Apr. 27, 2009**

(30) **Foreign Application Priority Data**

Oct. 30, 2008 (JP) 2008-027875

(51) **LOC (9) Cl.** **03-03**

(52) **U.S. Cl.** **D3/7; D12/130**

(58) **Field of Classification Search** D12/128-133;
280/62, 647-650, 29, 200, 47.38, 35, 250.1,
280/259, 642, 658; 296/65.03, 65.04; 135/65-67,
135/74; D3/5, 7, 10, 17; D24/188
See application file for complete search history.

(56) **References Cited**

U.S. PATENT DOCUMENTS

4,872,665 A * 10/1989 Chaireire 482/51
5,020,790 A * 6/1991 Beard et al. 482/4
D572,464 S * 7/2008 Koshiishi D3/7
D577,188 S * 9/2008 Koshiishi D3/7

D577,903 S * 10/2008 Koshiishi D3/10
D588,794 S * 3/2009 Koshiishi D3/7
7,534,218 B2 * 5/2009 Hiki 602/16
7,571,839 B2 * 8/2009 Chu et al. 224/637
2006/0276728 A1 * 12/2006 Ashihara et al. 601/5

* cited by examiner

Primary Examiner—Charles A Rademaker

Assistant Examiner—Charles D Hanson

(74) *Attorney, Agent, or Firm*—Westerman, Hattori, Daniels & Adrian, LLP

(57) **CLAIM**

The ornamental design for, a walking support system, as shown and described.

DESCRIPTION

FIG. 1 is a first perspective view of a walking support system, showing our new design;

FIG. 2 is a second perspective view thereof;

FIG. 3 is a front elevation view thereof;

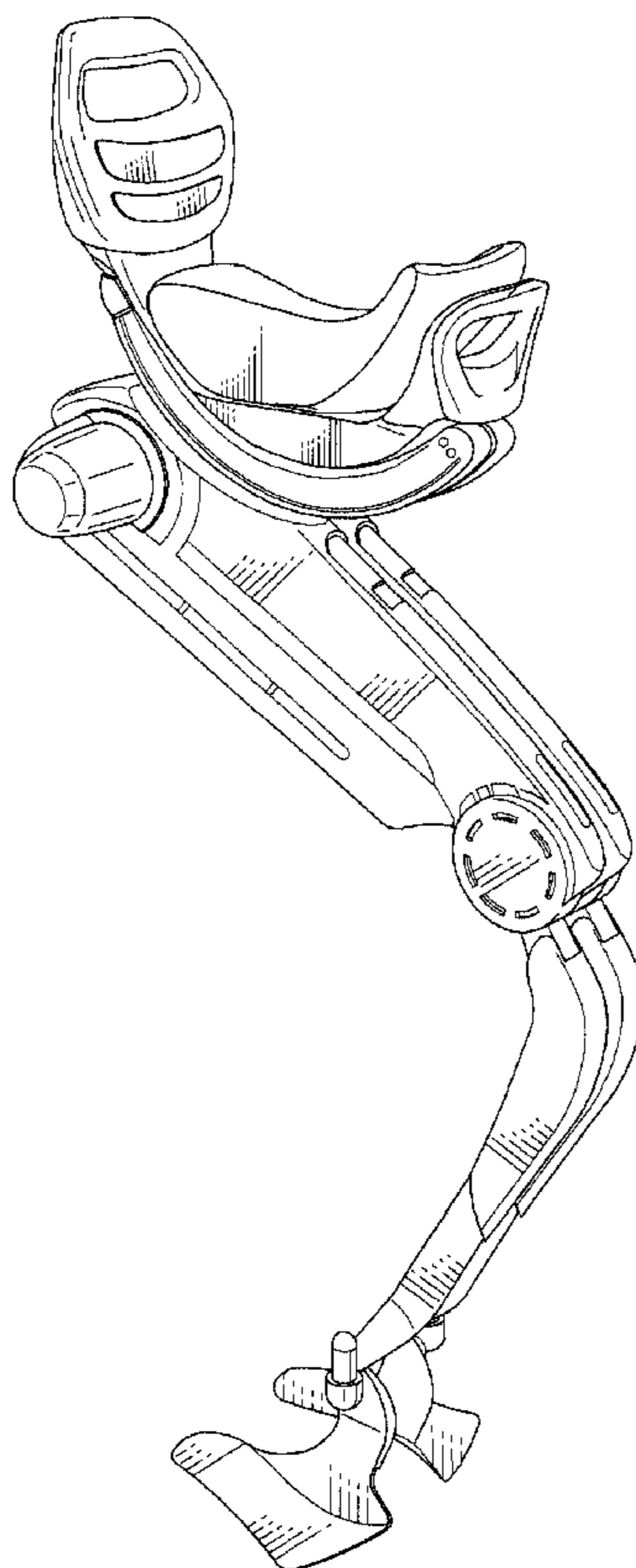
FIG. 4 is a rear elevation view thereof;

FIG. 5 is a top plan view thereof;

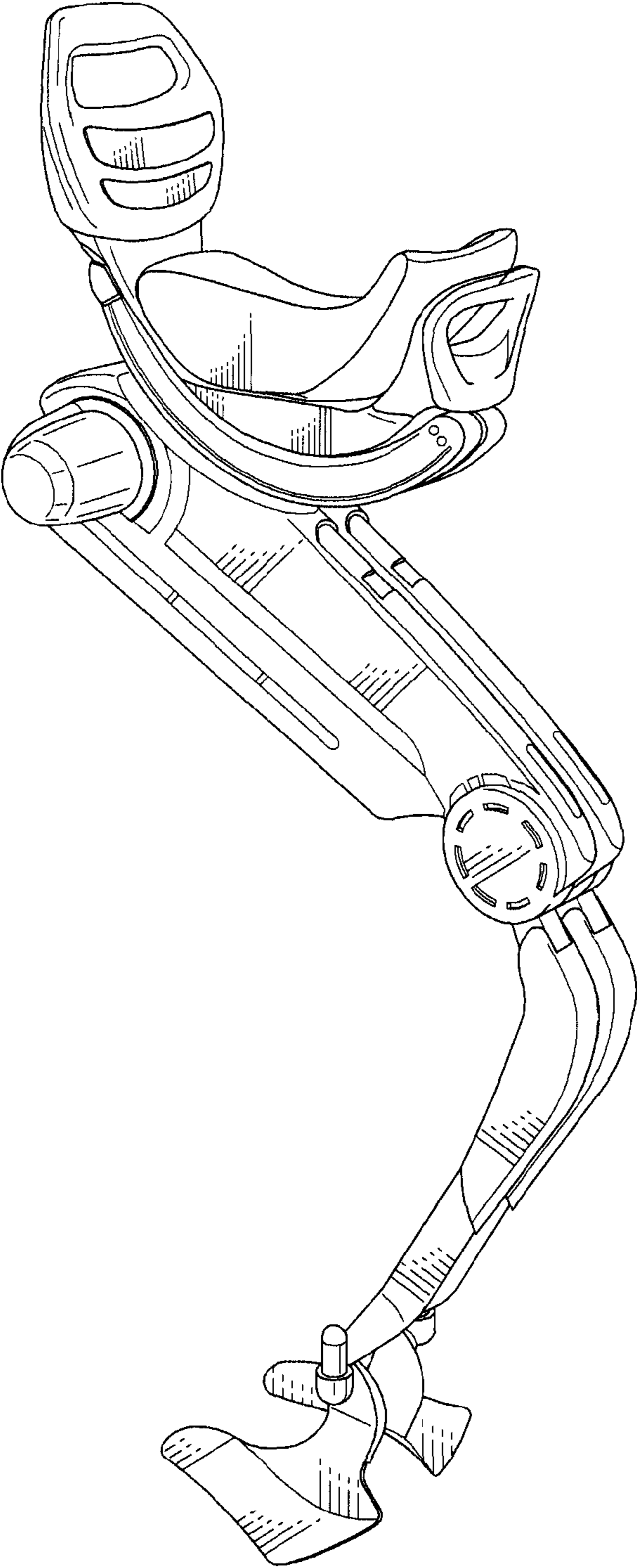
FIG. 6 is a right side elevation view thereof; and,

FIG. 7 is a left side elevation view thereof.

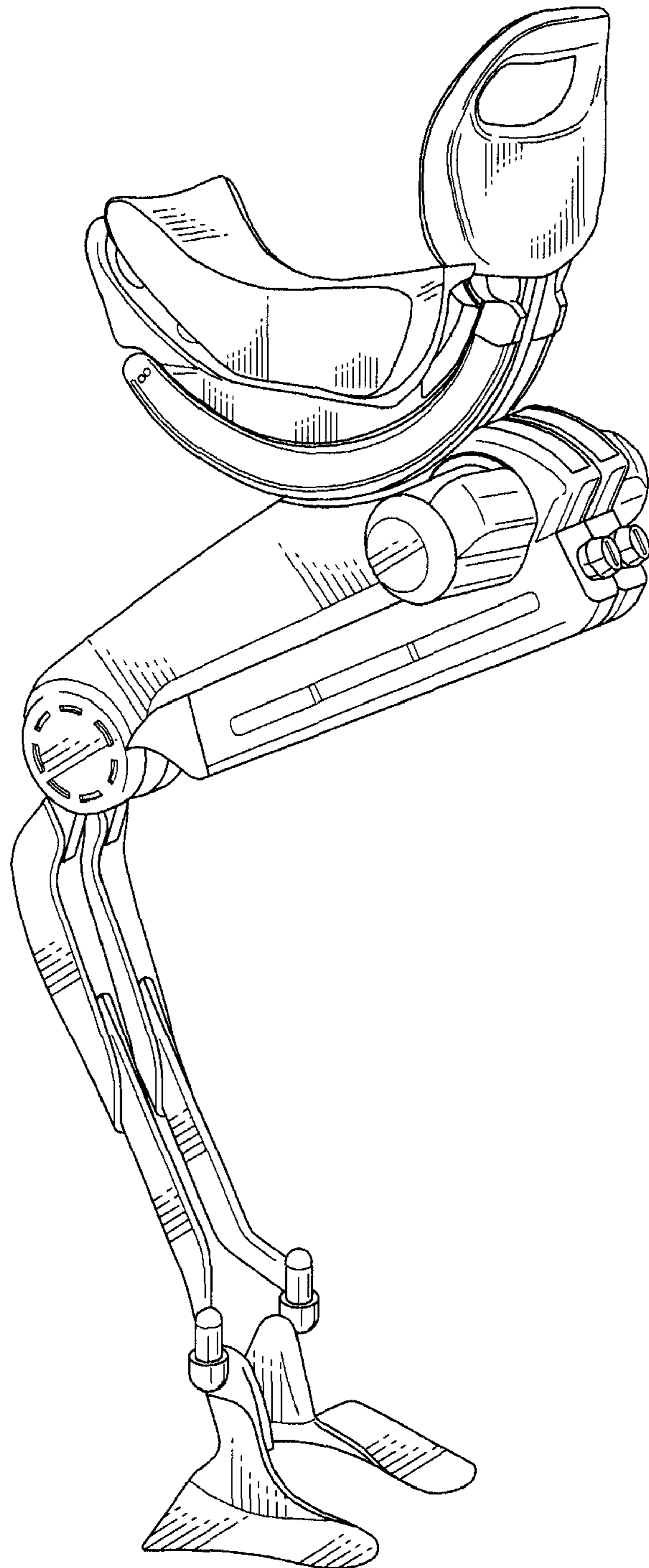
1 Claim, 7 Drawing Sheets



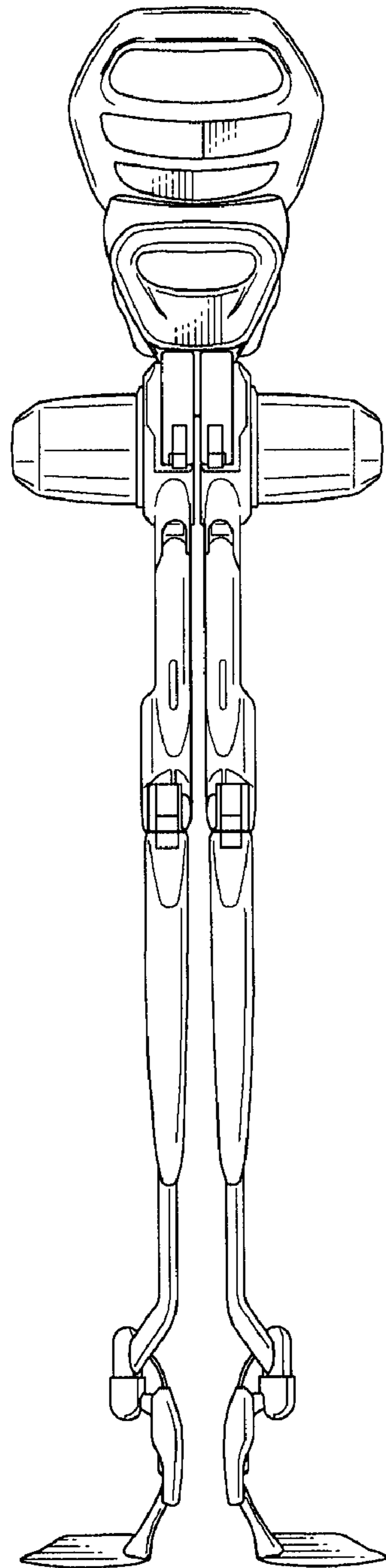
F I G. 1



F I G. 2



F I G. 3



F I G. 4

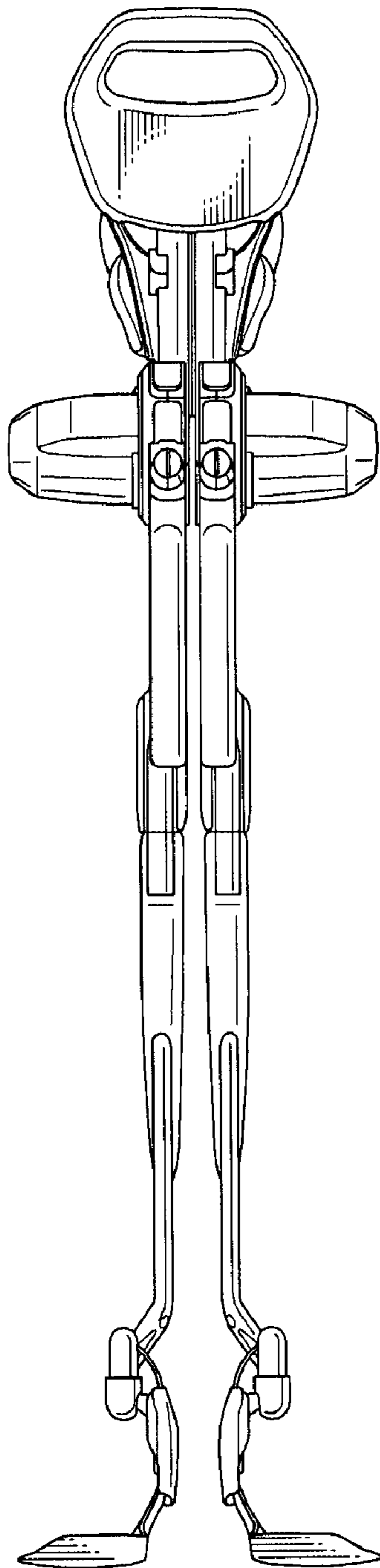
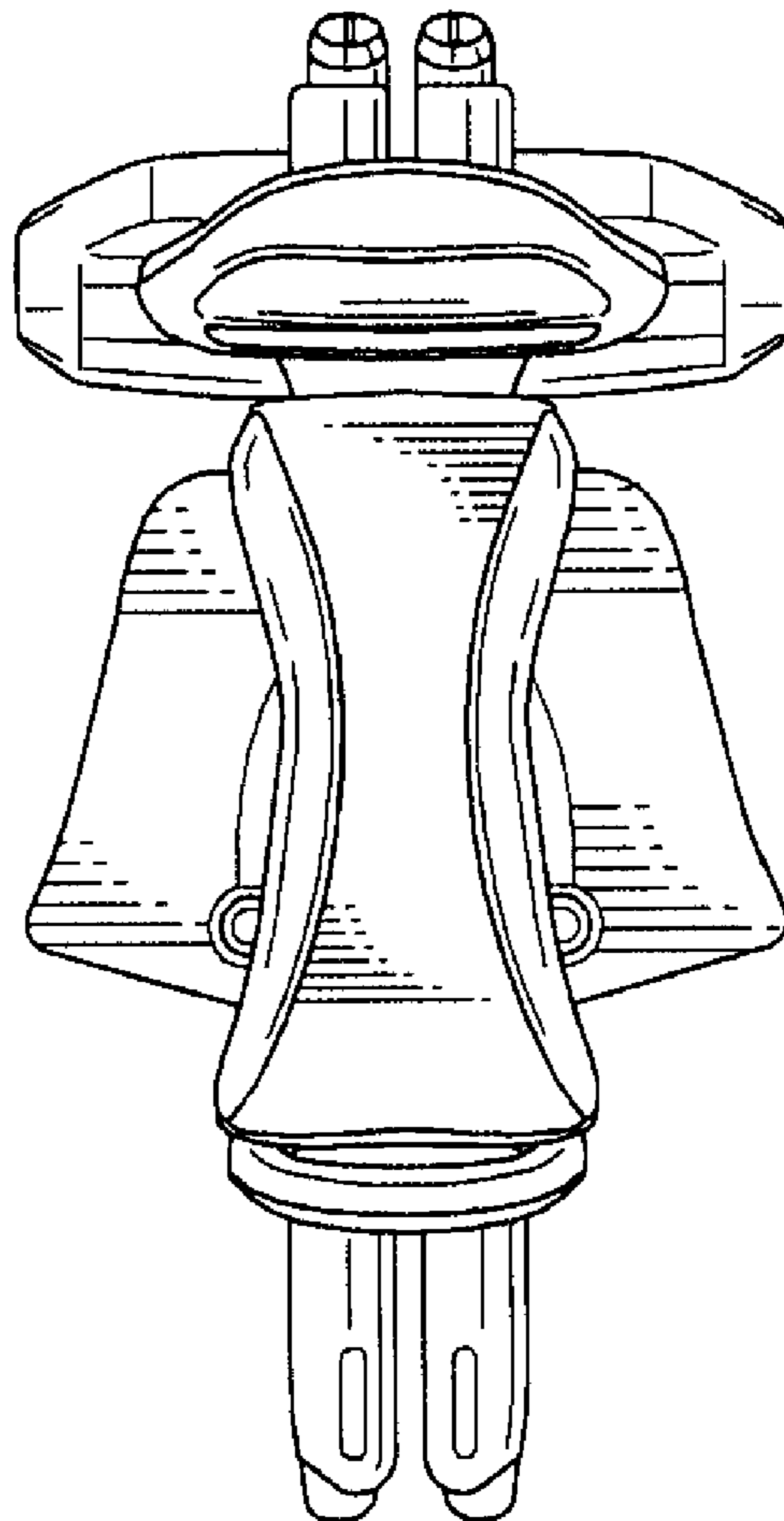
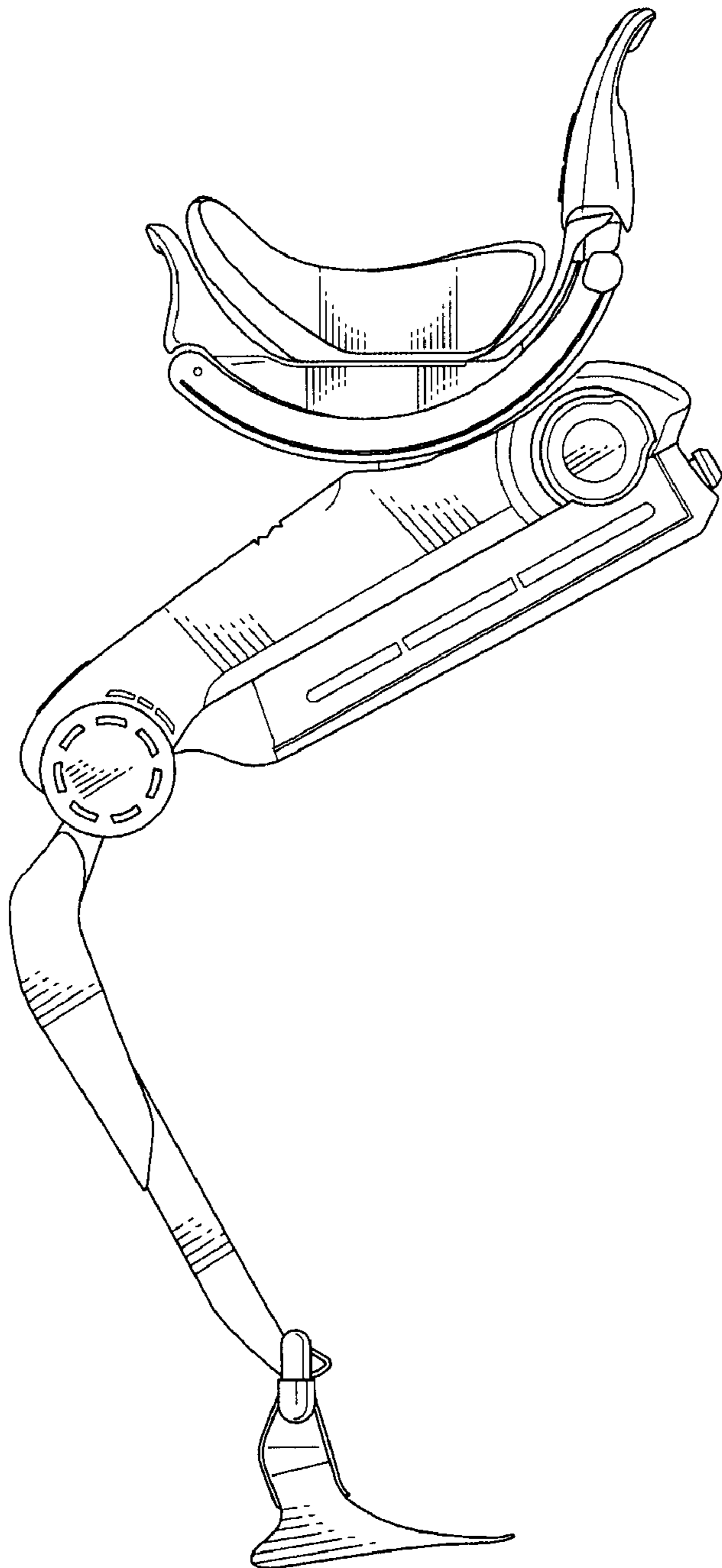


FIG. 5



F I G. 6



F I G. 7

