



US00D614375S

(12) **United States Design Patent**  
**Van Beuningen**

(10) **Patent No.:** **US D614,375 S**

(45) **Date of Patent:** **\*\* Apr. 20, 2010**

(54) **STEAM IRON REST**

(75) Inventor: **Robert-Jan Willem Antoine Van Beuningen**, Eindhoven (NL)

(73) Assignee: **Brabantia Nederaland B.V.**, BP Waalre (NL)

(\*\*) Term: **14 Years**

(21) Appl. No.: **29/298,829**

(22) Filed: **Dec. 13, 2007**

(30) **Foreign Application Priority Data**

Jun. 15, 2007 (EM) ..... 000740576

(51) **LOC (9) Cl.** ..... **07-05**

(52) **U.S. Cl.** ..... **D32/73**

(58) **Field of Classification Search** ..... D32/1, D32/17, 25, 35, 68-73; 38/1 R, 2, 12, 15, 38/17, 69, 74-75, 77.1-77.9, 79, 88, 90, 38/93, 141; 219/243, 245-252, 259  
See application file for complete search history.

(56) **References Cited**

**U.S. PATENT DOCUMENTS**

D158,426 S \* 5/1950 Wilson ..... D32/73

|               |         |                 |       |        |
|---------------|---------|-----------------|-------|--------|
| 2,585,758 A * | 2/1952  | Fjermestad      | ..... | 38/142 |
| D207,119 S *  | 3/1967  | Avery           | ..... | D32/73 |
| D208,373 S *  | 8/1967  | Morris          | ..... | D32/73 |
| D210,315 S *  | 2/1968  | Tarwater et al. | ..... | D32/73 |
| D366,545 S *  | 1/1996  | Sambamurti      | ..... | D32/73 |
| D386,864 S *  | 11/1997 | Ratliff et al.  | ..... | D32/73 |
| D433,552 S *  | 11/2000 | McBounds et al. | ..... | D32/73 |
| D502,302 S *  | 2/2005  | Verbeek         | ..... | D32/73 |
| D502,581 S *  | 3/2005  | Lee             | ..... | D32/73 |

\* cited by examiner

*Primary Examiner*—Rosemary K Tarcza

(74) *Attorney, Agent, or Firm*—Abelman, Frayne & Schwab

(57) **CLAIM**

The ornamental design for a steam iron rest, as shown and described.

**DESCRIPTION**

FIG. 1 is a top plan view of a steam iron rest showing my new design.

FIG. 2 is a right side elevational view thereof, with the left side being a mirror image thereof.

FIG. 3 is a rear elevational view thereof; and,

FIG. 4 is a bottom left side perspective view thereof.

**1 Claim, 2 Drawing Sheets**

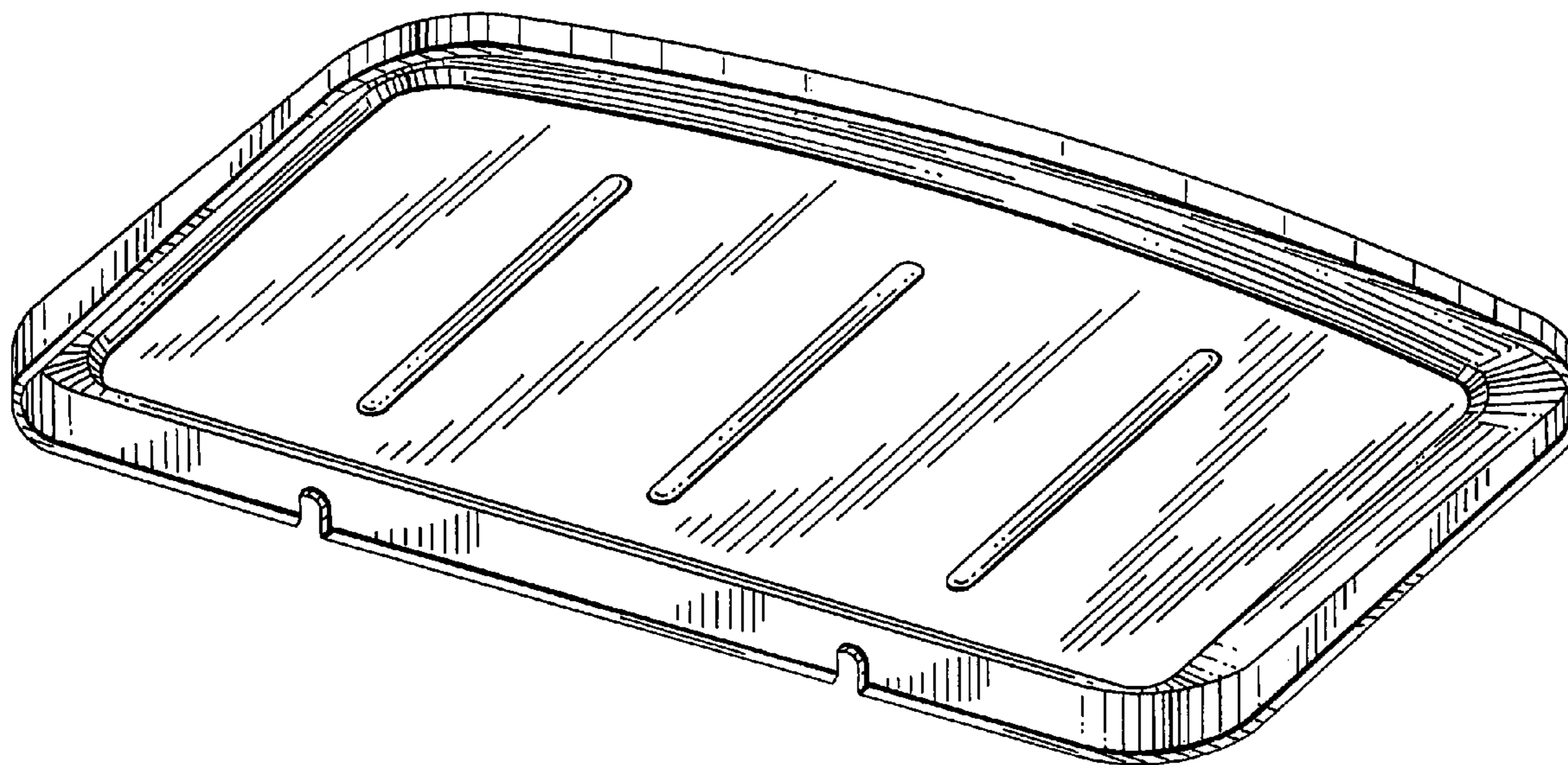


FIG. 1

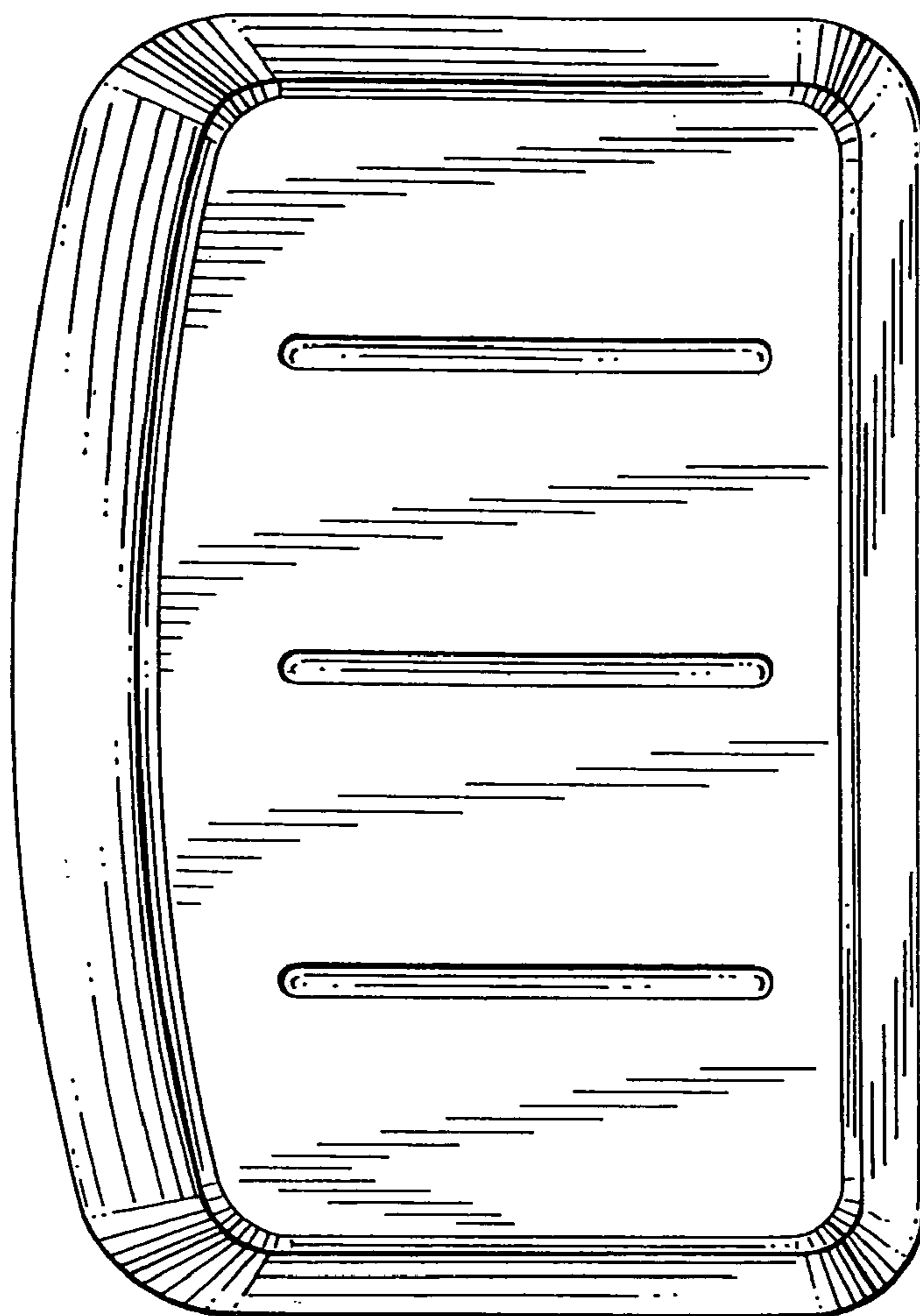


FIG. 2

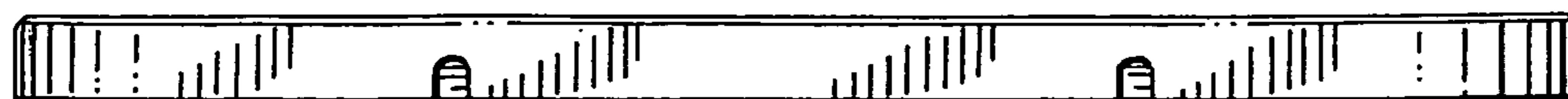


FIG. 3

FIG. 4

