



US00D614374S

(12) **United States Design Patent**  
**Anderson**

(10) **Patent No.:** **US D614,374 S**

(45) **Date of Patent:** **\*\* Apr. 20, 2010**

(54) **PLANT WATER COLLECTION CONTAINER**

2004/0206761 A1\* 10/2004 Frantz ..... 220/570  
2005/0247129 A1\* 11/2005 Carragan ..... 73/426

(76) Inventor: **George Anderson**, 7420 SW. Laview  
Dr., Portland, OR (US) 97219

\* cited by examiner

(\*\*) Term: **14 Years**

*Primary Examiner*—Cynthia E Ramirez  
(74) *Attorney, Agent, or Firm*—Craig A. Simmermon

(21) Appl. No.: **29/342,389**

(57) **CLAIM**

(22) Filed: **Aug. 24, 2009**

The ornamental design for a plant water collection container,  
as shown and described.

(51) **LOC (9) Cl.** ..... **07-07**

(52) **U.S. Cl.** ..... **D32/53**

(58) **Field of Classification Search** ..... D32/53,  
D32/53.1; 206/505–507; 220/694–702,  
220/735, 773–774, 776; 15/264–265, 257.05,  
15/257.06; D10/46.2; 294/55, 49; 73/426–429;  
D7/691

See application file for complete search history.

**DESCRIPTION**

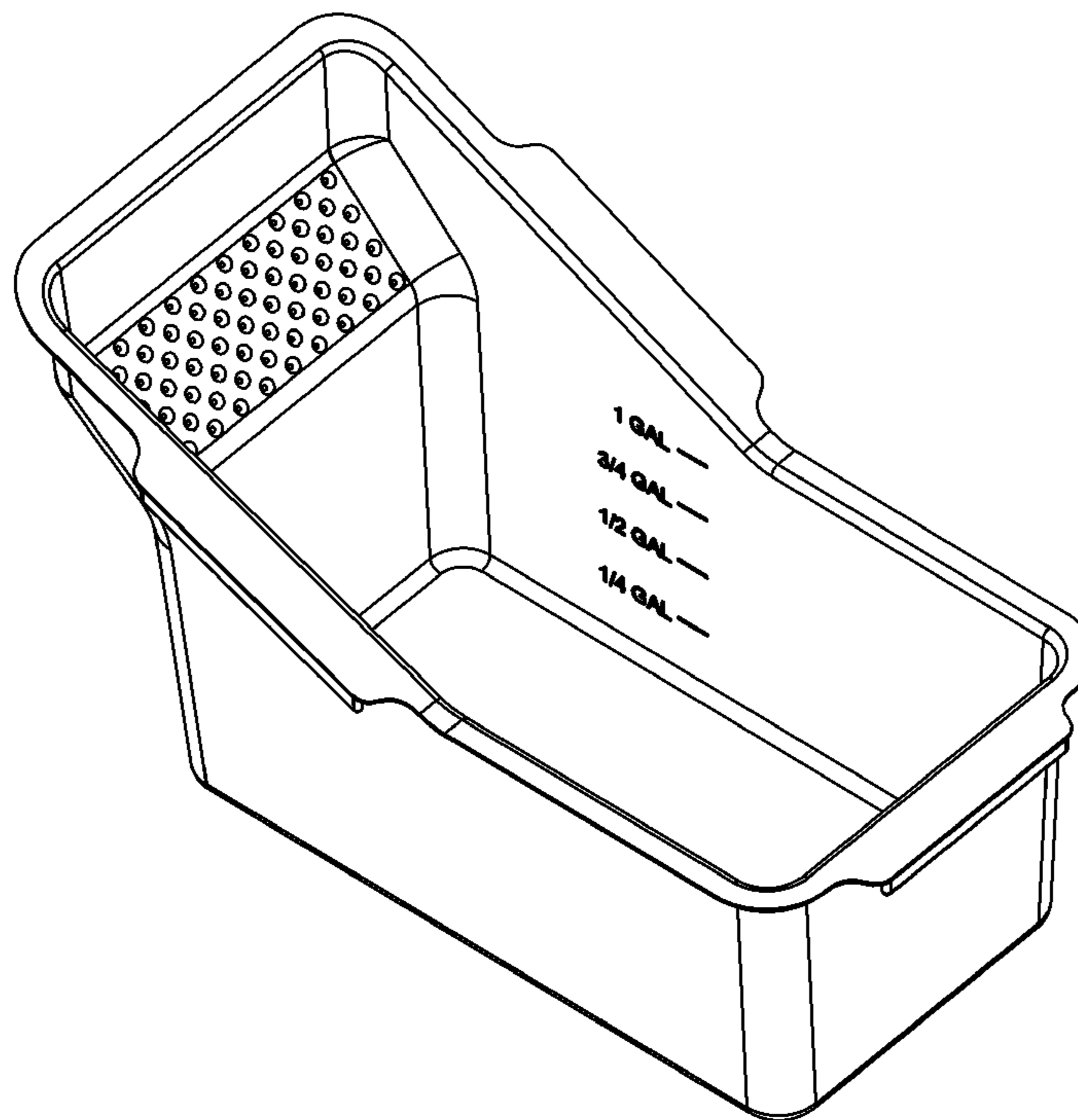
(56) **References Cited**

**U.S. PATENT DOCUMENTS**

- 3,947,135 A \* 3/1976 Hawk ..... 401/121
- D260,722 S \* 9/1981 Bateman ..... D7/691
- D339,991 S \* 10/1993 Mulry et al. .... D10/46.2
- D352,869 S \* 11/1994 Lathrop ..... D7/691
- 5,918,922 A \* 7/1999 Lathrop et al. .... 294/55
- D418,068 S \* 12/1999 Robbins, III ..... D10/46.2
- 7,191,913 B2 \* 3/2007 Byrne ..... 220/570
- D544,669 S \* 6/2007 Casteel et al. .... D32/53
- D549,913 S \* 8/2007 Bergman ..... D32/53
- D556,409 S \* 11/2007 Yoo ..... D32/53
- D607,623 S \* 1/2010 Hagen ..... D32/53
- D607,624 S \* 1/2010 Bergman ..... D32/54
- D608,066 S \* 1/2010 Pearl et al. .... D32/53
- 2001/0042402 A1 \* 11/2001 Hoeting et al. .... 73/427

FIG. 1 is a top perspective view of a plant water collection container showing my new design;  
 FIG. 2 is another top perspective view thereof;  
 FIG. 3 is a bottom perspective view thereof;  
 FIG. 4 is another bottom perspective view thereof;  
 FIG. 5 is a top plan view thereof;  
 FIG. 6 is a bottom plan view thereof;  
 FIG. 7 is a front elevation view thereof;  
 FIG. 8 is a rear elevation view thereof;  
 FIG. 9 is a side elevation view thereof;  
 FIG. 10 is a top view defining cross sectional planes 11—11 and 12—12;  
 FIG. 11 is a cross sectional view taken from lines 11—11 in FIG. 10; and,  
 FIG. 12 is a cross sectional view taken from lines 12—12 in FIG. 10.

**1 Claim, 12 Drawing Sheets**



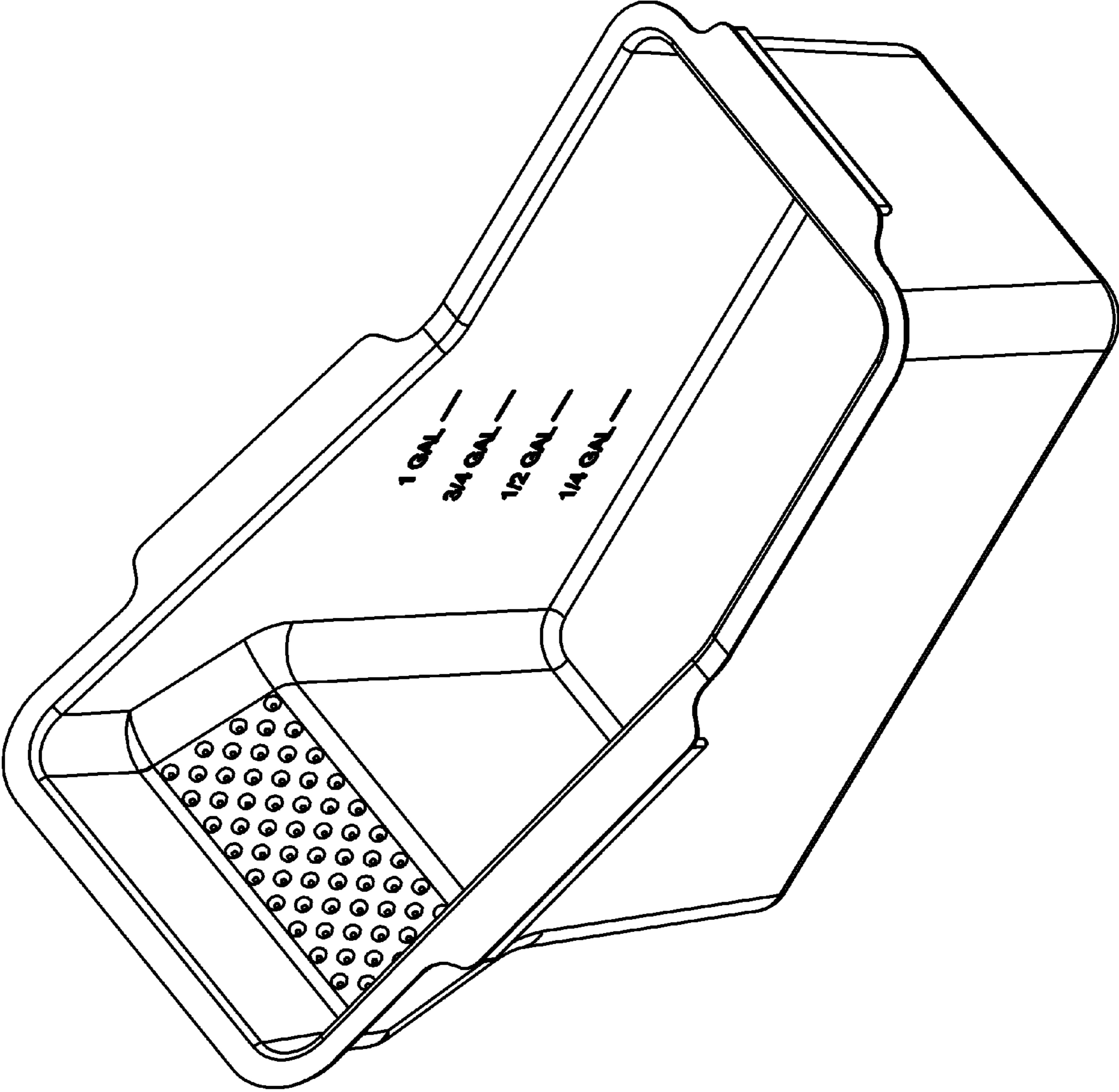


Fig. 1

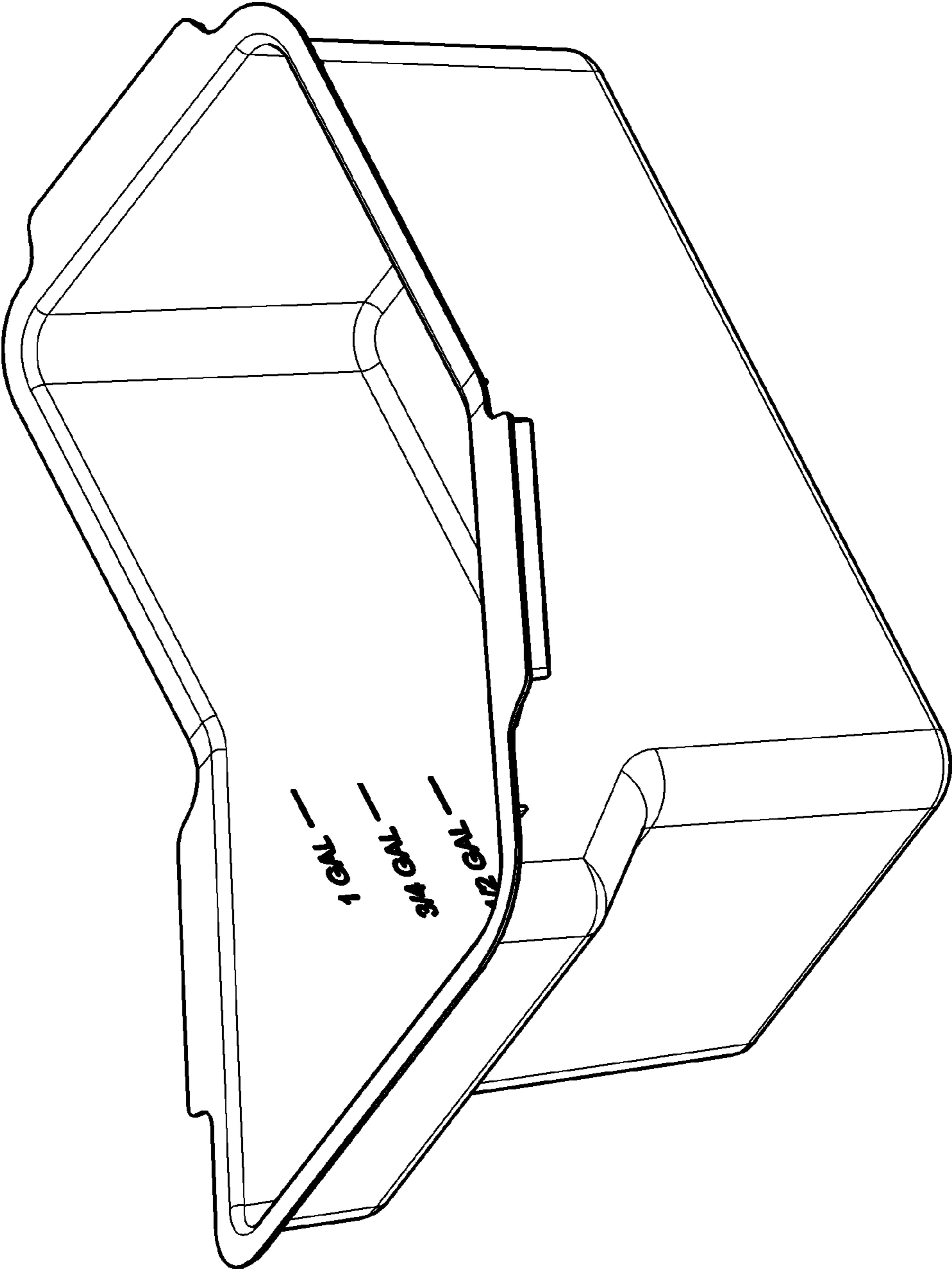


Fig. 2

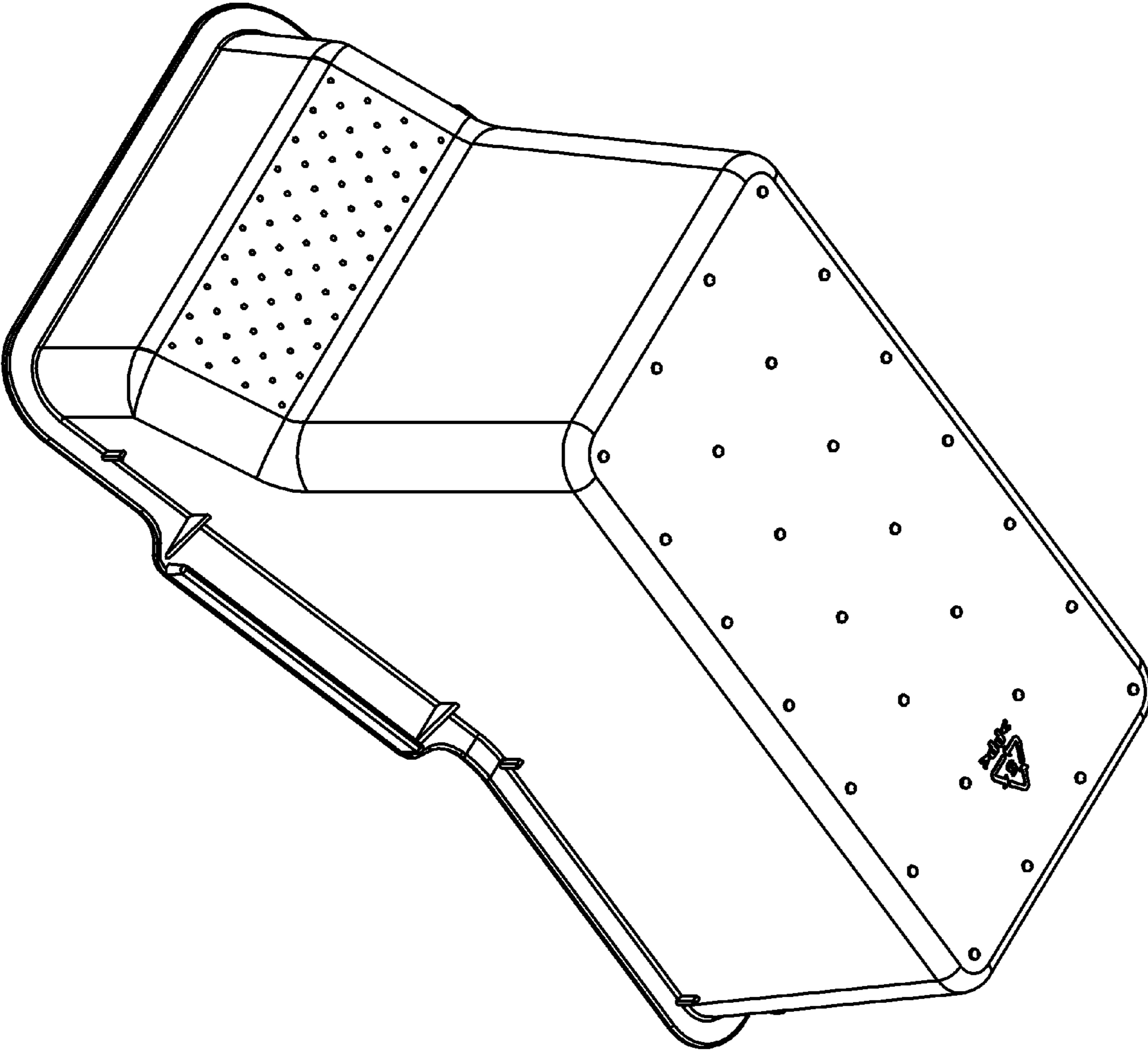


Fig. 3

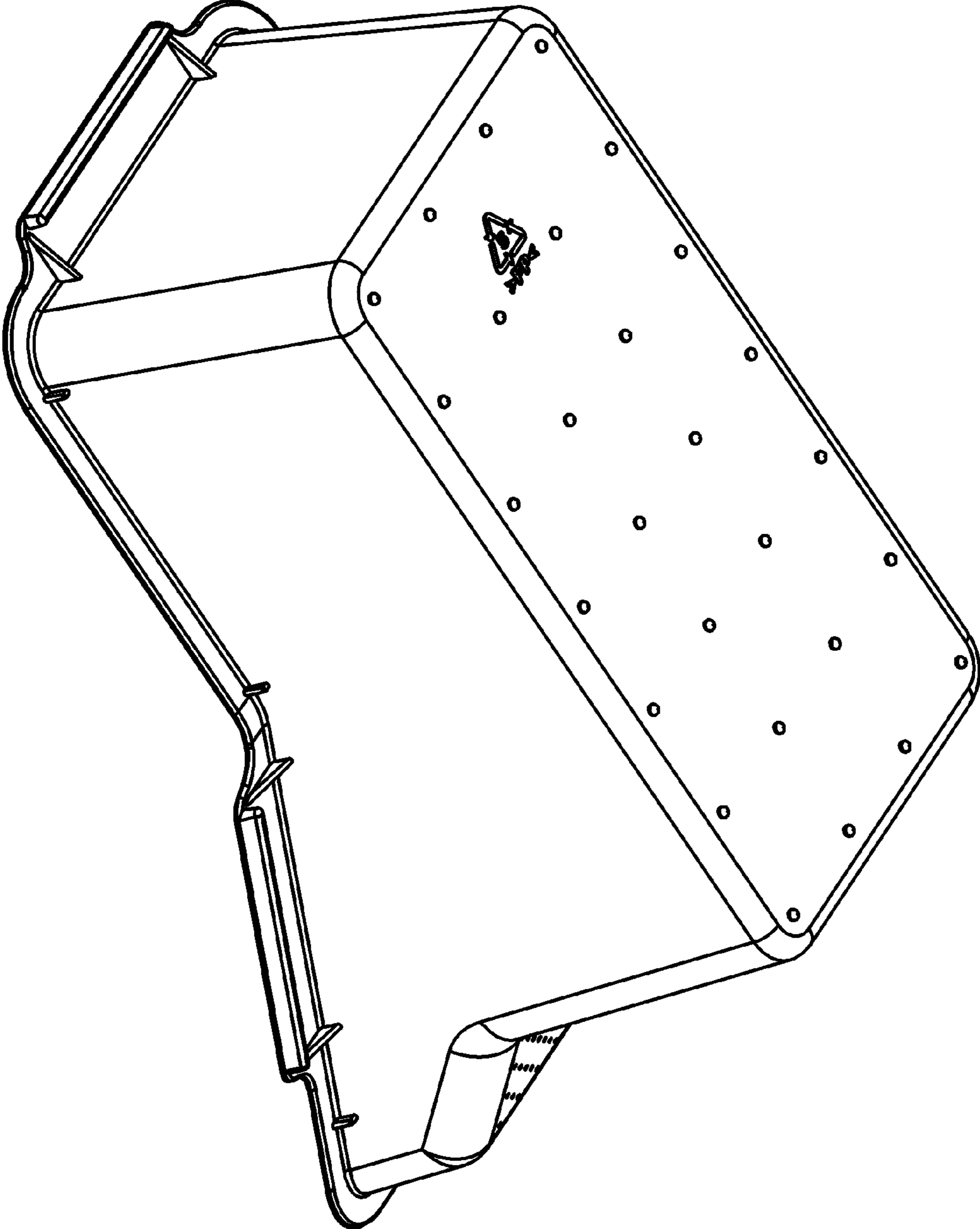


Fig. 4

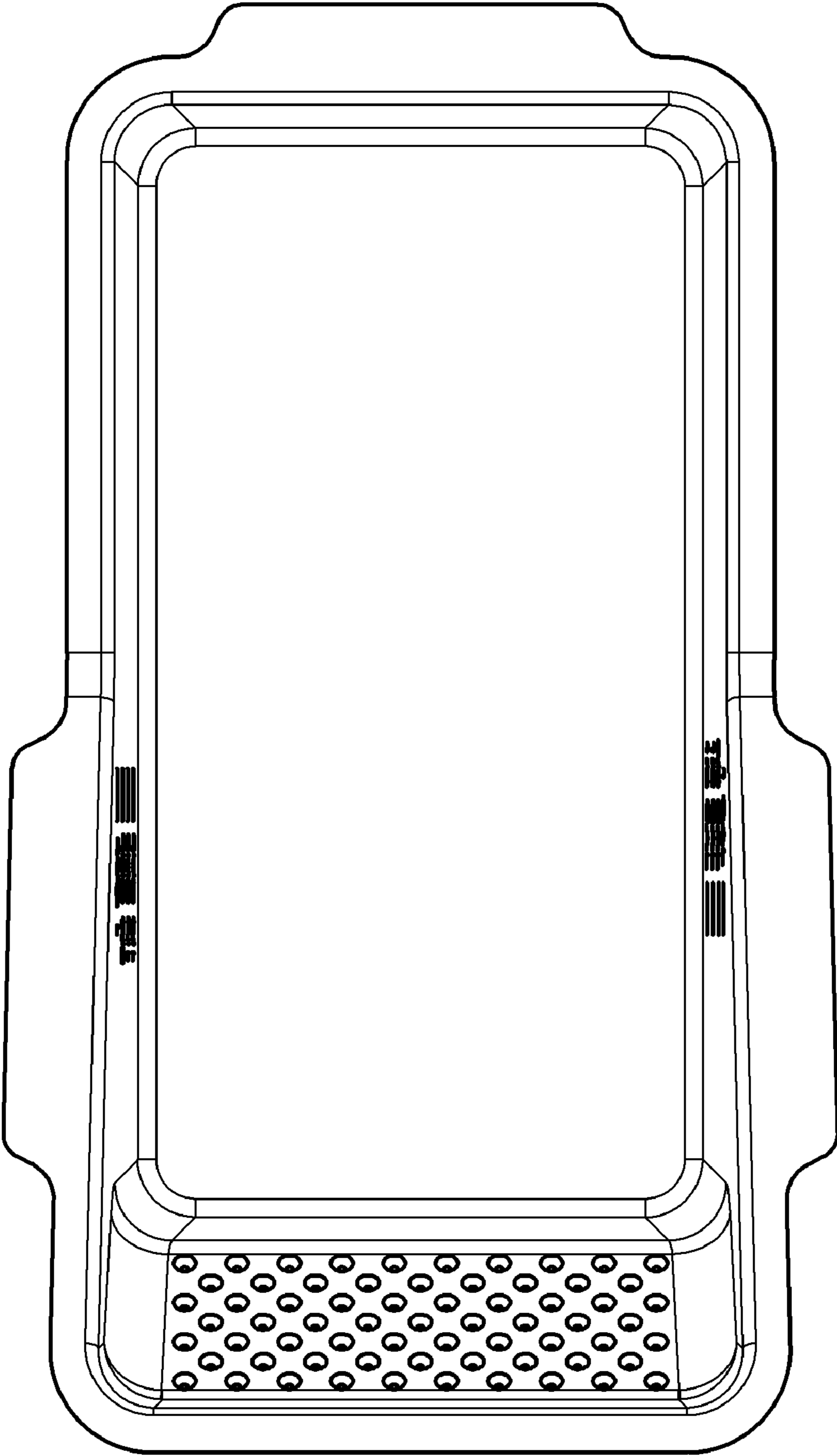


Fig. 5

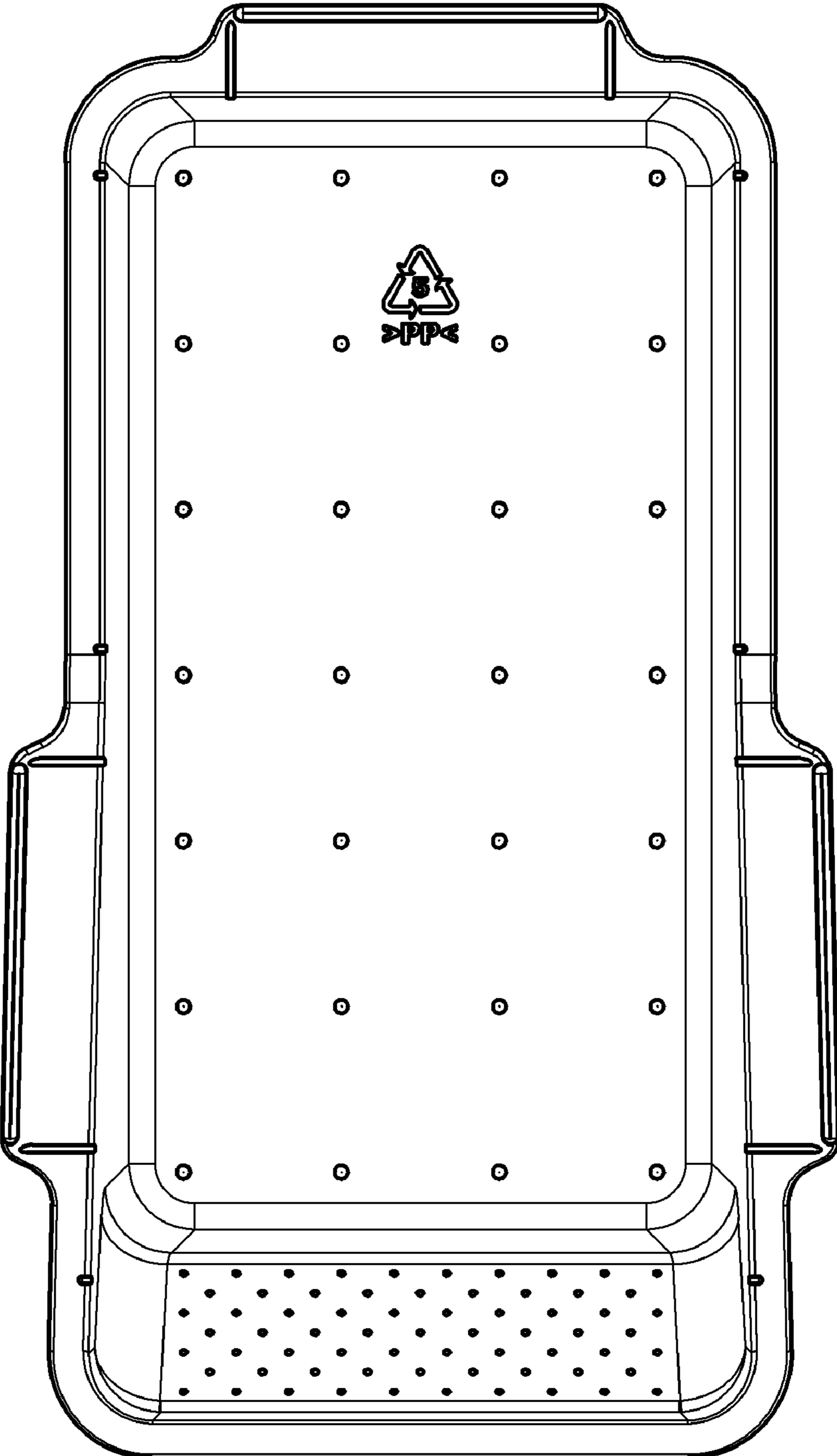


Fig. 6

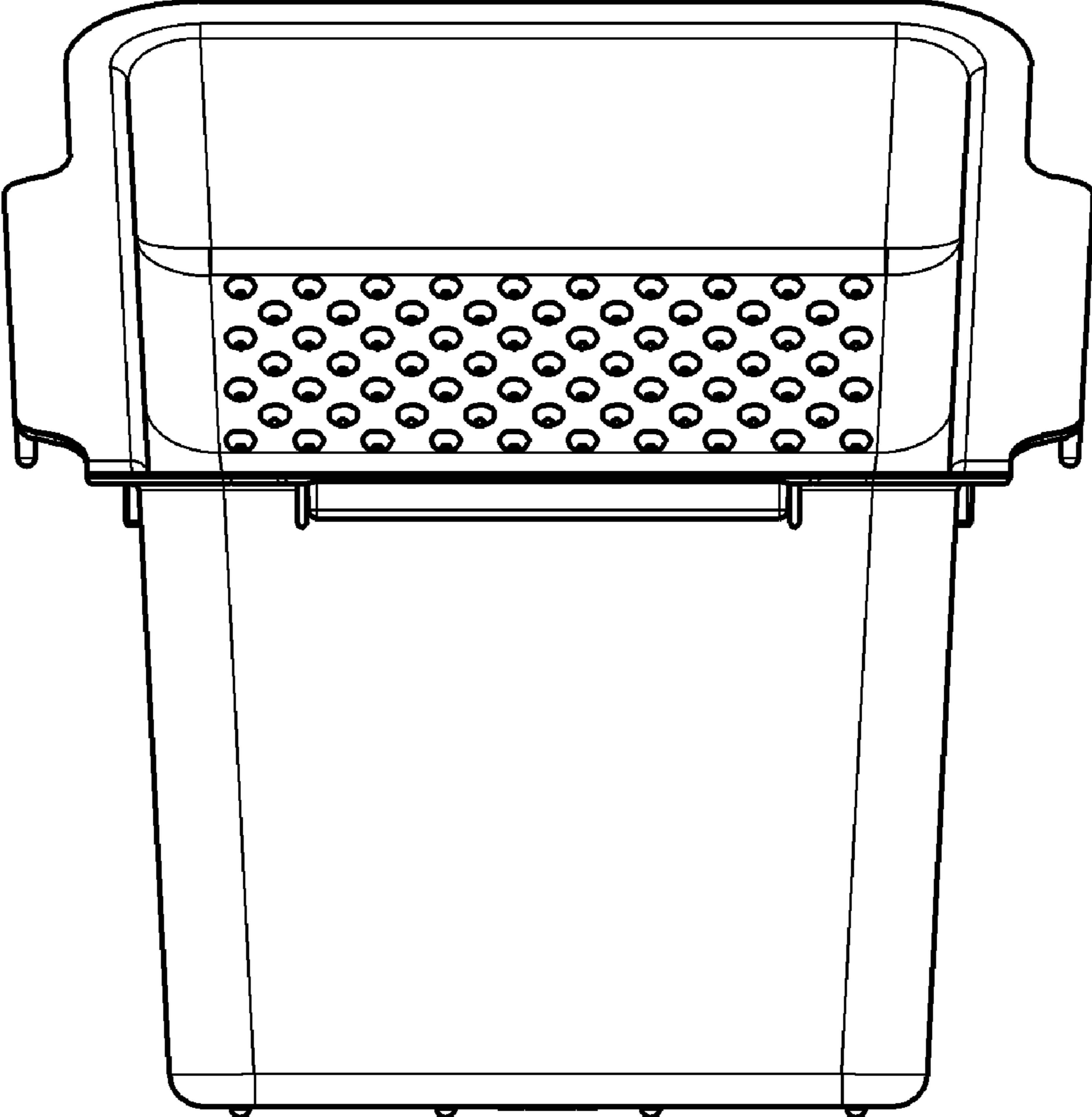


Fig. 7



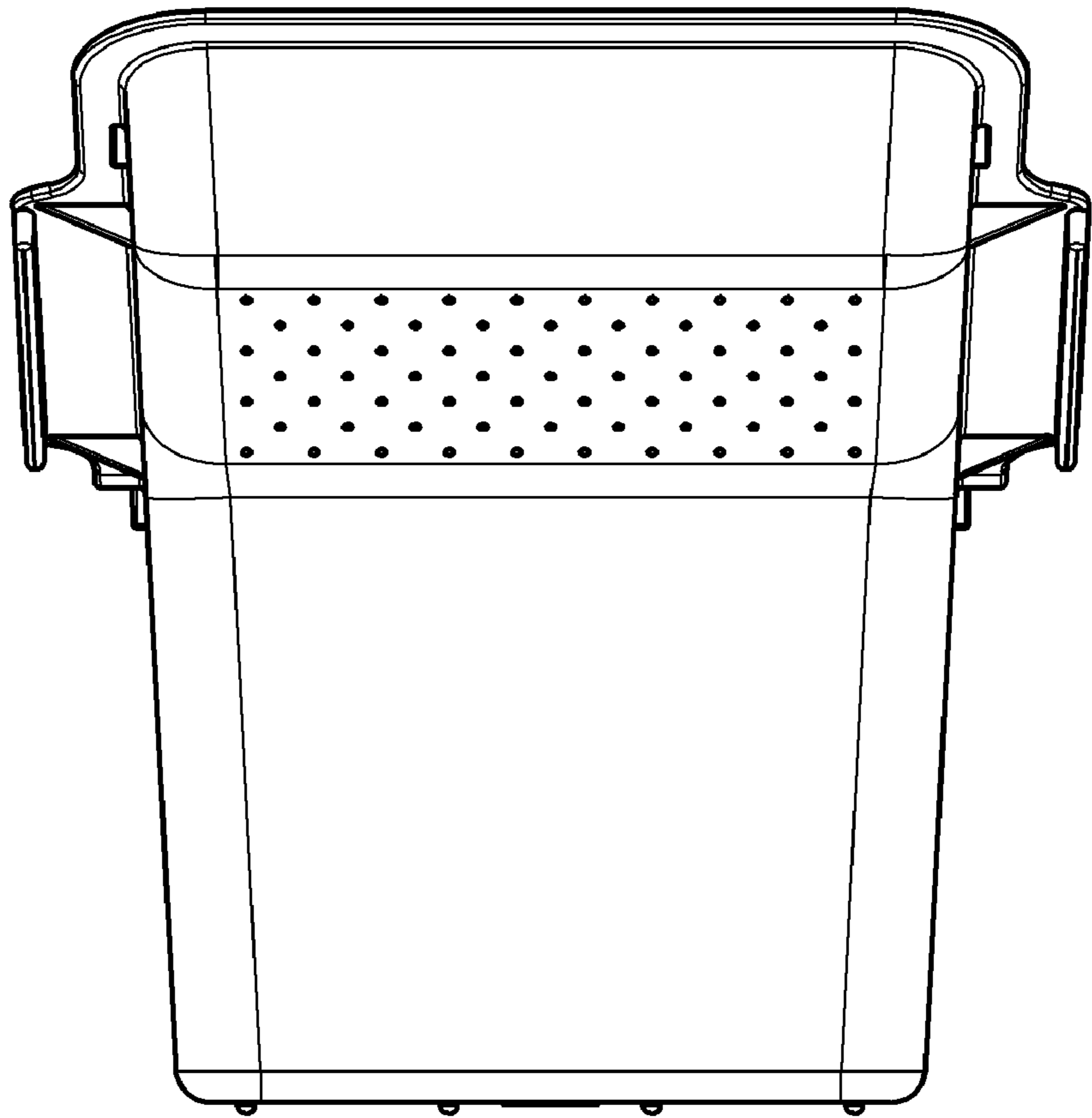


Fig. 8

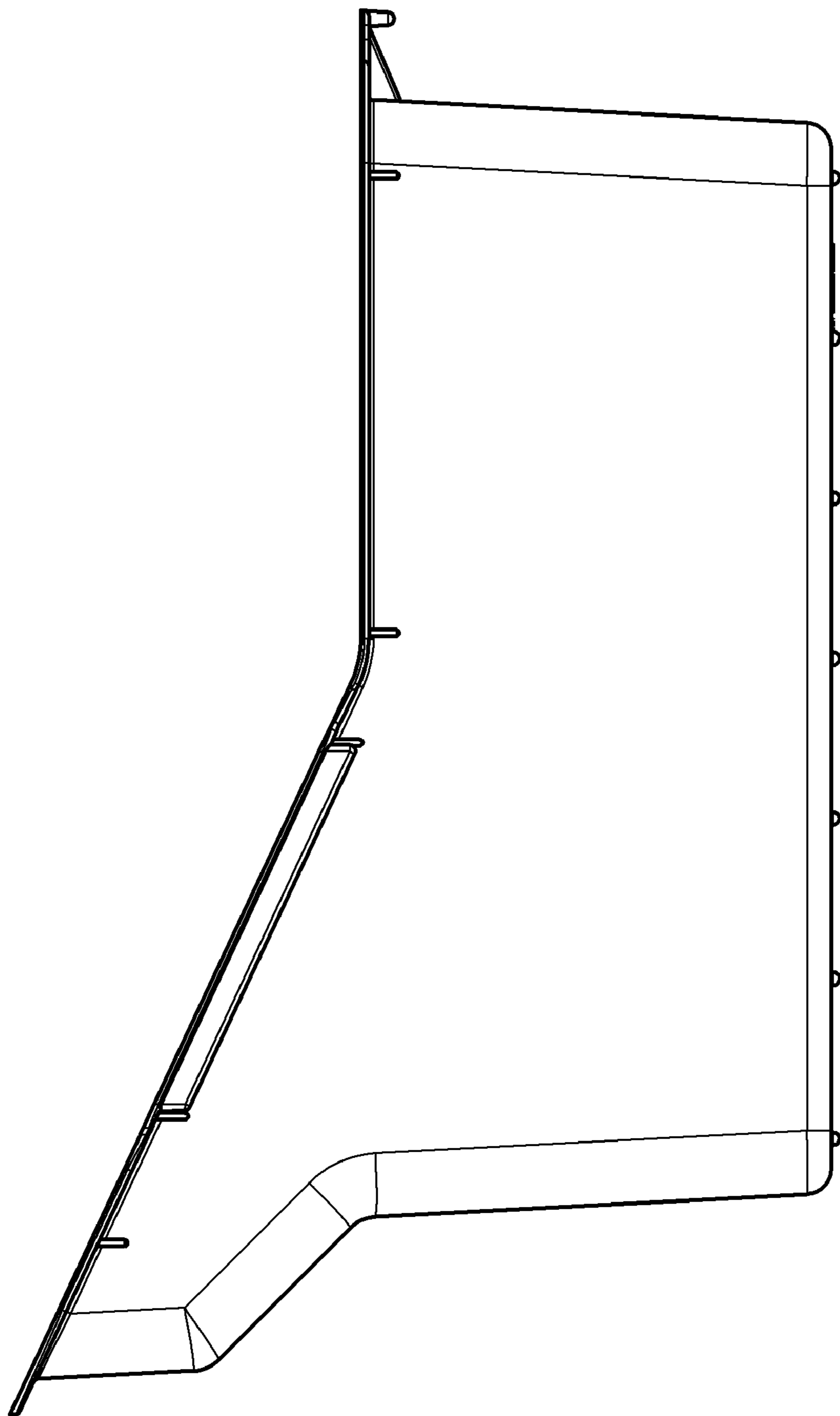


Fig. 9

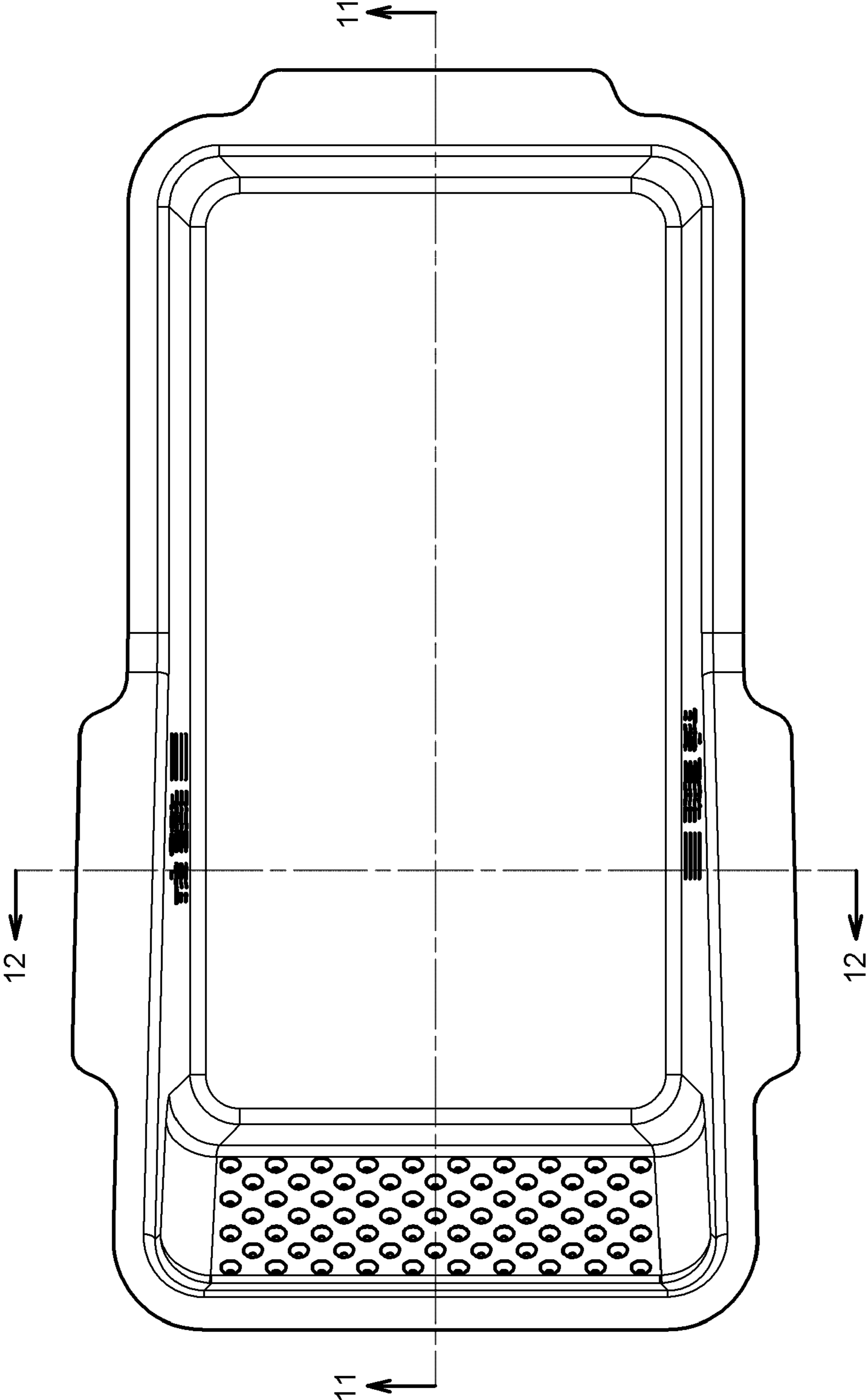


Fig. 10

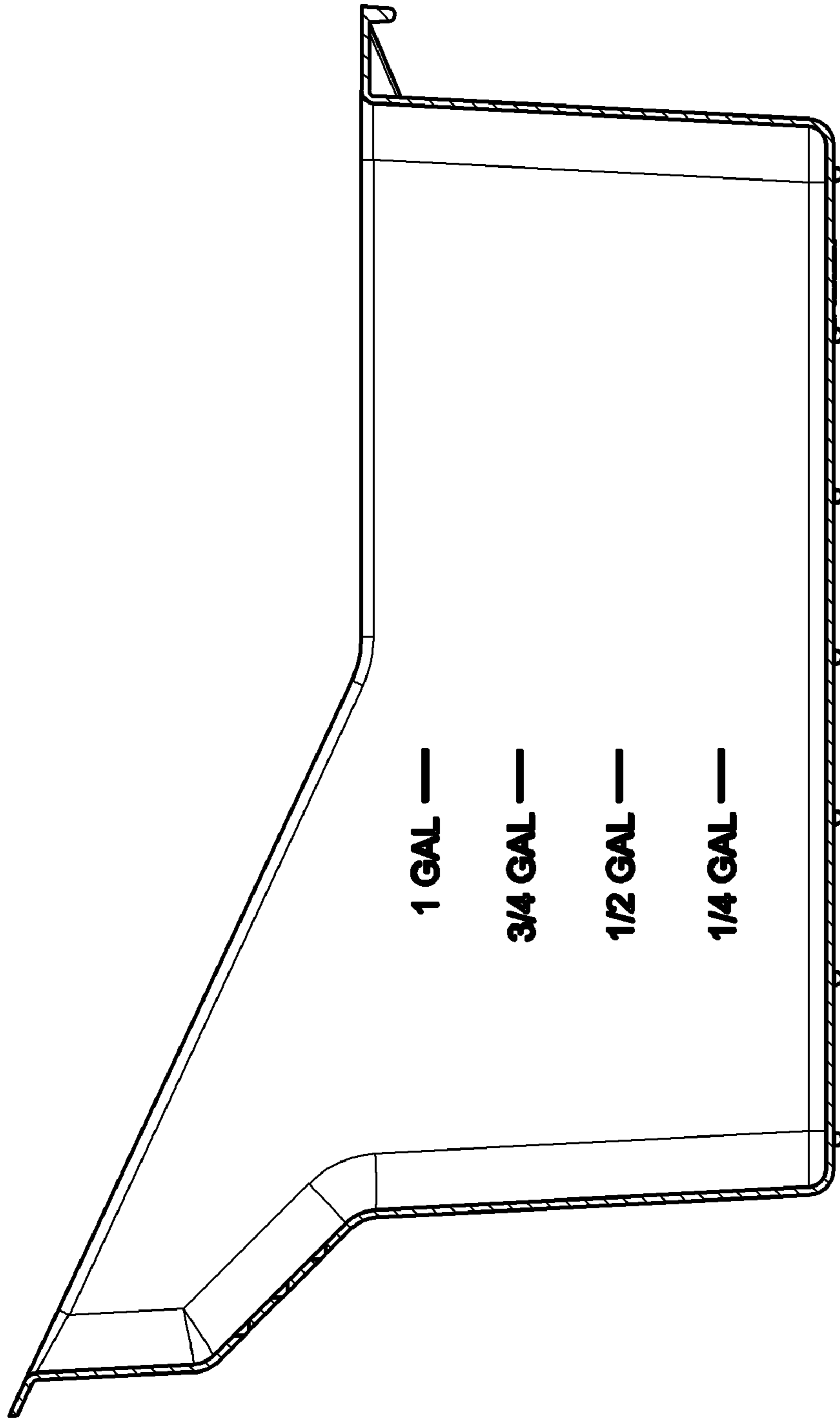


Fig. 11

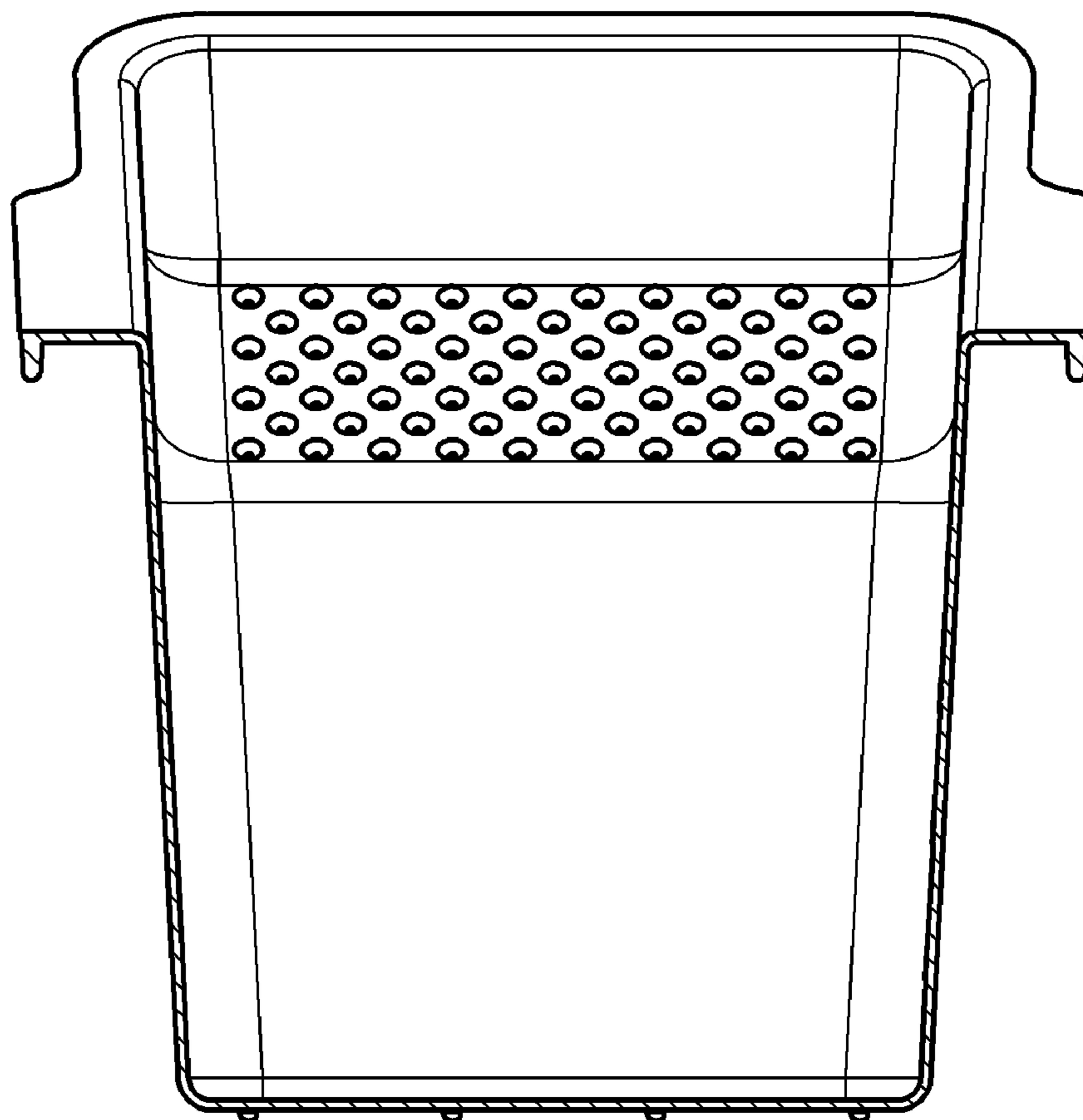


Fig. 12