



US00D614373S

(12) **United States Design Patent**
Zach et al.

(10) **Patent No.:** **US D614,373 S**
(45) **Date of Patent:** **** Apr. 20, 2010**

(54) **HANDLE**

(75) Inventors: **Steven A. Zach**, Racine, WI (US);
Douglas A. Soller, Racine, WI (US);
Jason Billig, Mount Vernon, NY (US);
Stuart M. Leslie, Larchmont, NY (US);
Taek Kim, Washington Township, NJ
(US)

(73) Assignee: **S.C. Johnson & Son, Inc.**, Racine, WI
(US)

(**) Term: **14 Years**

(21) Appl. No.: **29/286,612**

(22) Filed: **May 14, 2007**

Related U.S. Application Data

(63) Continuation-in-part of application No. 29/265,217,
filed on Aug. 28, 2006, now Pat. No. Des. 609,871.

(51) **LOC (9) Cl.** **04-01**

(52) **U.S. Cl.** **D32/52**

(58) **Field of Classification Search** D8/52,
D8/54-56, 58, 95-99, 107; D22/118; D4/138;
D32/35, 39, 40, 46, 49, 51, 52; D15/18,
D15/70, 142; 81/342, 367, 370, 418, 420,
81/424.5, 427.5, 380, 390, 324, 486, 489,
81/415-419, DIG. 9, 300, 302, 177.1-177.7,
81/436-437, 438-440; 30/151-162, 329,
30/330, 511-517, 519, 323, 236.01; 294/54.5,
294/49, 51, 53.5, 55; 16/11 R, 111 R, 110.1,
16/430-431, 421-422, 426; D7/393-395,
D7/354-365

See application file for complete search history.

(56) **References Cited**

U.S. PATENT DOCUMENTS

5,692,261 A 12/1997 Lops

5,842,488 A 12/1998 Belleau et al.
D453,464 S * 2/2002 Yu D8/107
D584,867 S * 1/2009 Zach et al. D32/45
D584,868 S * 1/2009 Higareda et al. D32/45
2005/0246848 A1 * 11/2005 Morgan et al. 15/210.1
2009/0205152 A1 * 8/2009 Soller et al. 15/104.93

* cited by examiner

Primary Examiner—Cathron C Brooks
Assistant Examiner—Barbara Fox

(57) **CLAIM**

The ornamental design for a handle, as shown and described.

DESCRIPTION

FIG. 1 is a right, top, frontal perspective view of a handle showing our new design;

FIG. 2 is a front elevational view thereof;

FIG. 3 is a rear elevational view thereof;

FIG. 4 is a right side elevational view thereof, the left side elevational view thereof being the mirror image of the right side elevational view shown;

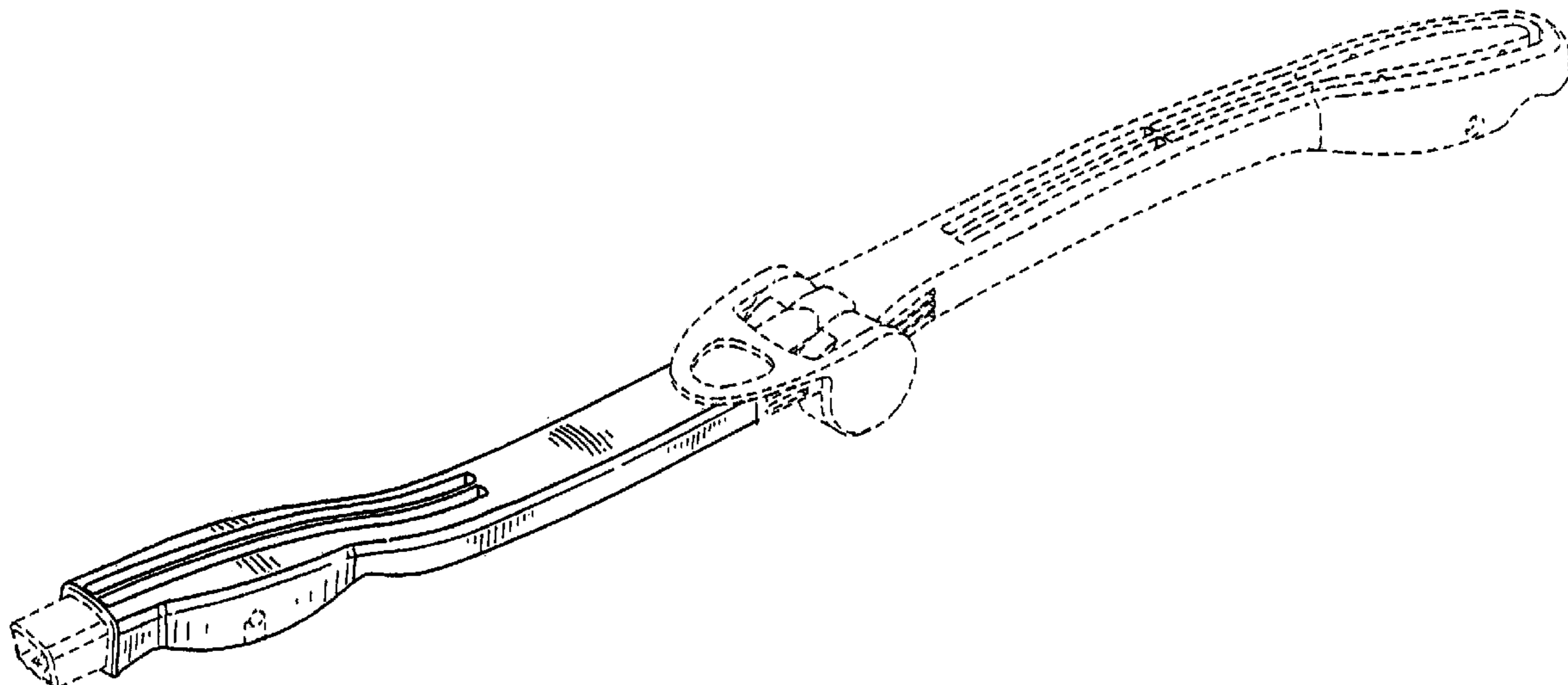
FIG. 5 is a top plan view thereof; and,

FIG. 6 is a bottom plan view thereof.

In a preferred embodiment the nature of this product is as a handle, useful in connection with a cleaning device such as a hand-held window cleaning squeegee.

The broken lines shown in the drawings represent portions of the handle and environmental structure and form no part of the claimed design.

1 Claim, 3 Drawing Sheets



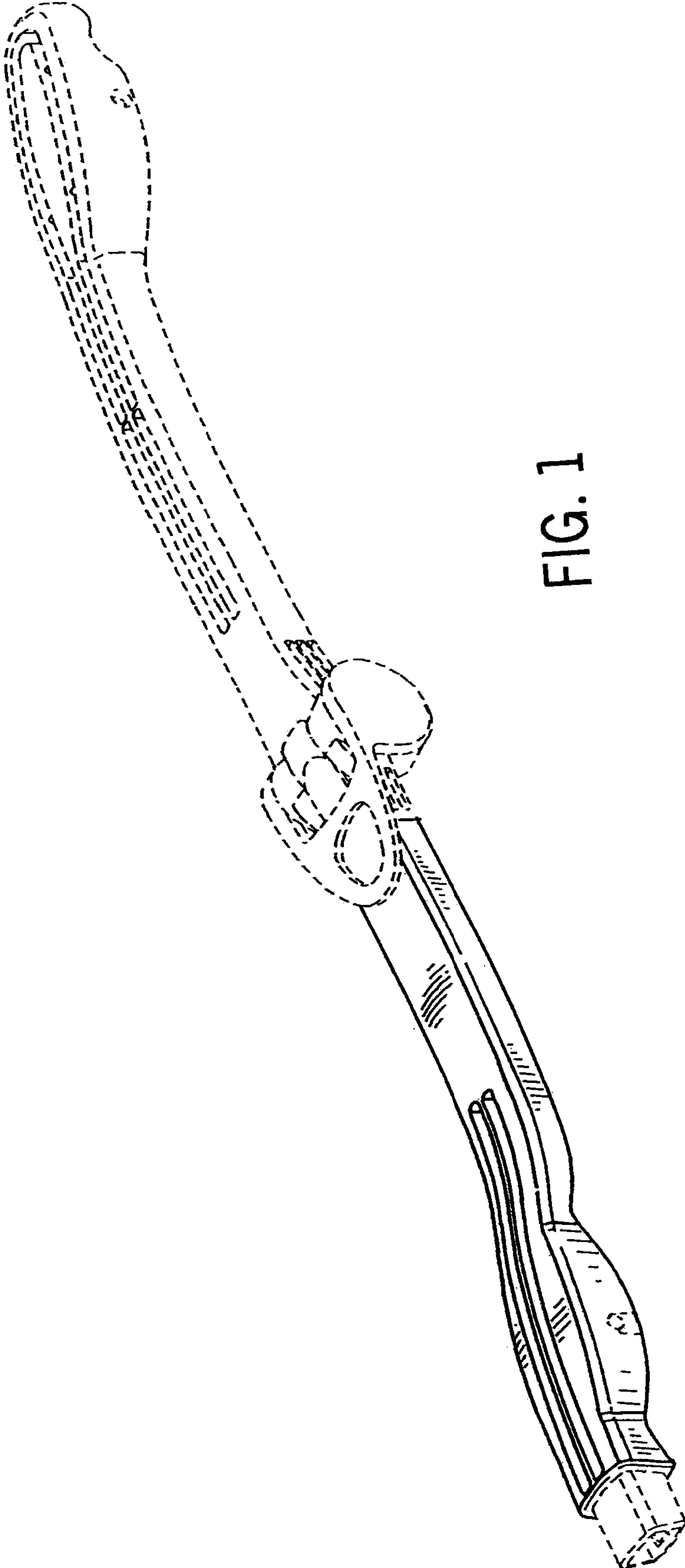


FIG. 1

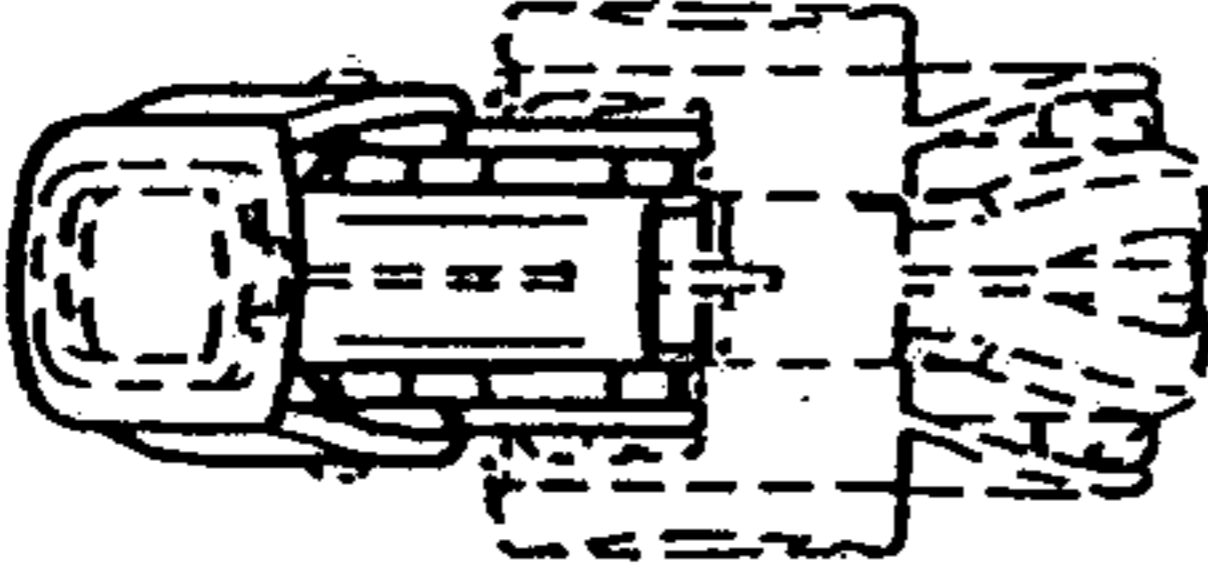


FIG. 2



FIG. 3

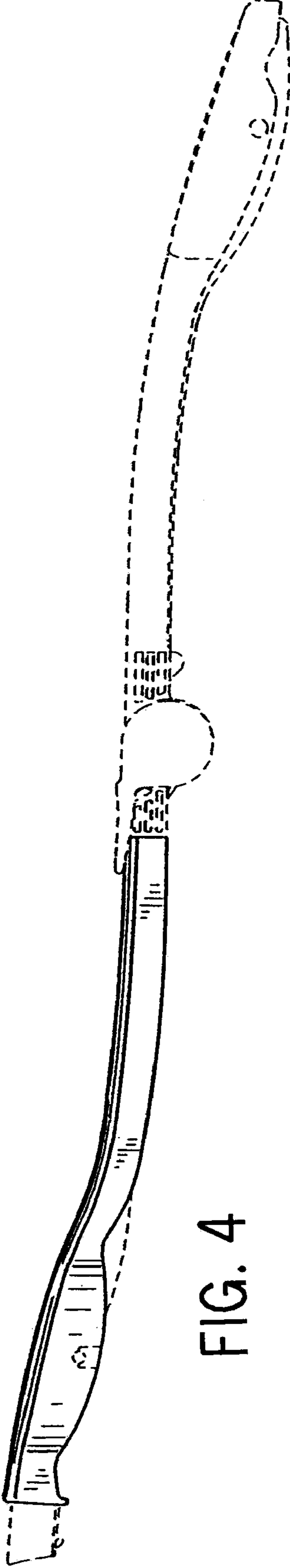


FIG. 4



FIG. 5

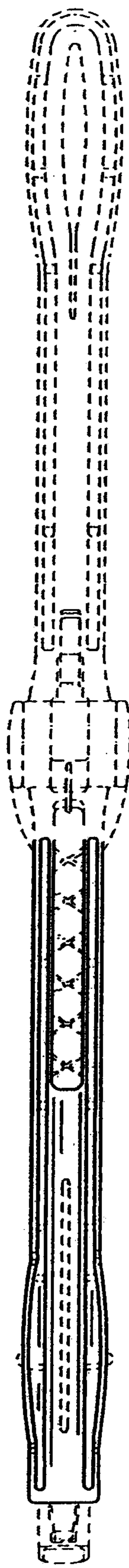


FIG. 6