



US00D614372S

(12) **United States Design Patent**
Blom

(10) **Patent No.:** **US D614,372 S**
(45) **Date of Patent:** **** Apr. 20, 2010**

(54) **MOP BASE WITH SLIDABLY ATTACHABLE FEMALE TO MALE MOP HEAD**

(75) Inventor: **Dan Blom**, Paramount, CA (US)

(73) Assignee: **Aquastar, Inc.**, Paramount, CA (US)

(**) Term: **14 Years**

(21) Appl. No.: **29/338,131**

(22) Filed: **Jun. 4, 2009**

(51) **LOC (9) Cl.** **14-01**

(52) **U.S. Cl.** **D32/51**

(58) **Field of Classification Search** D32/35,
D32/40, 45, 50, 51, 30; 15/143.1, 147.1,
15/147.2, 209.1, 210.1, 228, 231, 233, 1.7;
401/137-140, 15, 188 R, 268, 270, 278-279;
D4/137, 115, 119; 239/532

See application file for complete search history.

(56) **References Cited**

U.S. PATENT DOCUMENTS

4,970,750	A *	11/1990	Davis, III	15/244.1
5,390,390	A *	2/1995	Kresse et al.	15/228
D386,851	S *	11/1997	Levine	D32/40
6,178,584	B1 *	1/2001	Post	15/220.1
D465,890	S *	11/2002	Rivera et al.	D32/50
D467,396	S *	12/2002	Savage	D32/51
D490,952	S *	6/2004	Ajluni	D32/50

D539,496	S *	3/2007	Sickler et al.	D32/41
D545,019	S *	6/2007	Harper et al.	D32/50
D563,068	S *	2/2008	Jiang et al.	D32/50
D564,164	S *	3/2008	Harper et al.	D32/51
2006/0016037	A1 *	1/2006	Flora et al.	15/228

* cited by examiner

Primary Examiner—Cathron C Brooks

Assistant Examiner—Austin Murphy

(74) *Attorney, Agent, or Firm*—Marc E. Hankin; Kevin Schraven; Hankin Patent Law, APC

(57) **CLAIM**

The ornamental design for a mop base with slidably attachable female to male mop head, as shown and described.

DESCRIPTION

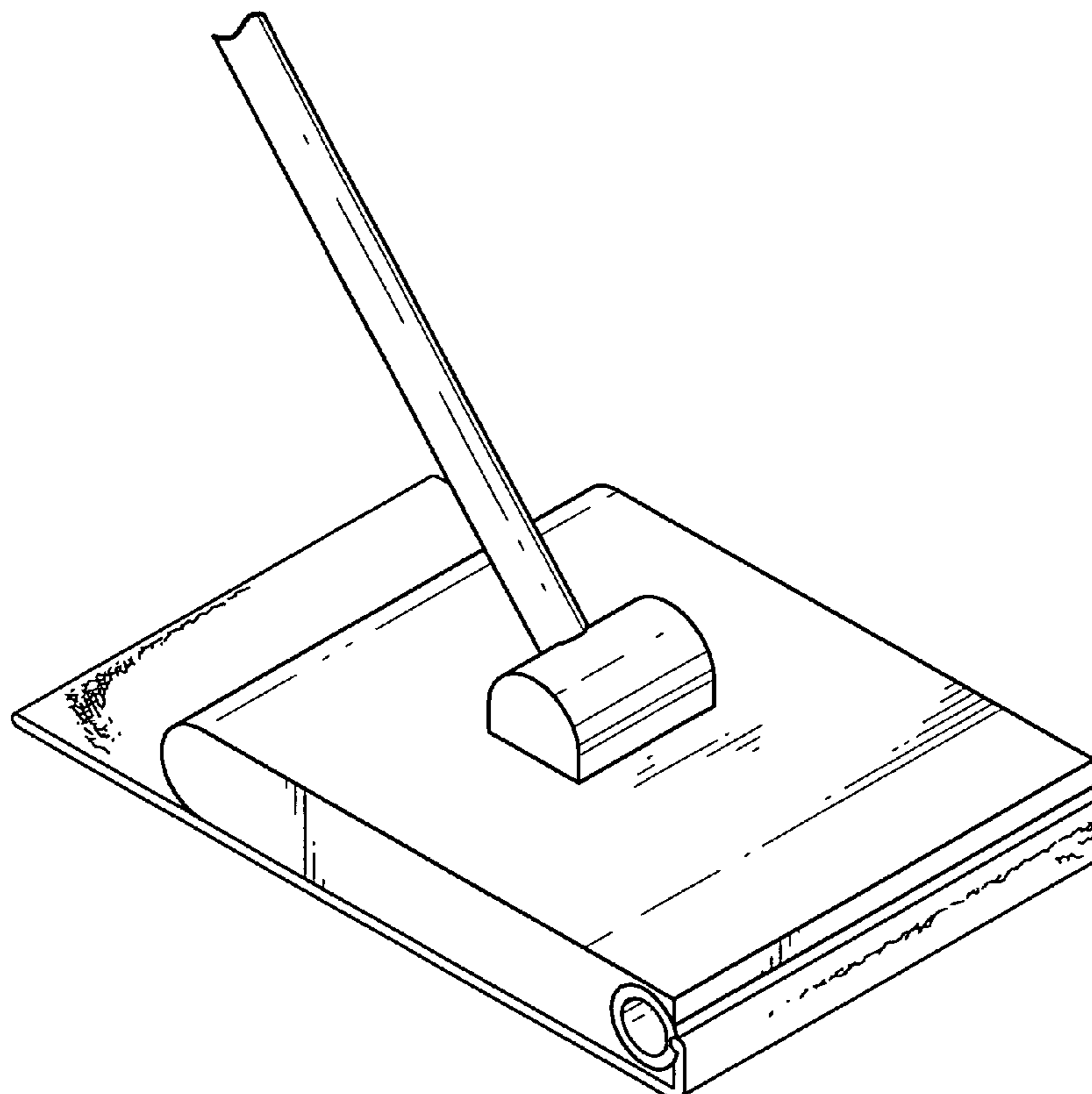
FIG. 1 is a detailed illustration of a perspective top view of the mop base with slidably attachable female to male mop head.

FIG. 2 is a detailed illustration of a perspective top view of the mop base with slidably attachable mop head with the female to male mop head extended; and,

FIG. 3 is a detailed illustration of a side view of the mop base with slidably attachable female to male mop head.

Portions of the mop base with slidably attachable female to male mop head not shown in the drawings form no part of the claimed design.

1 Claim, 3 Drawing Sheets



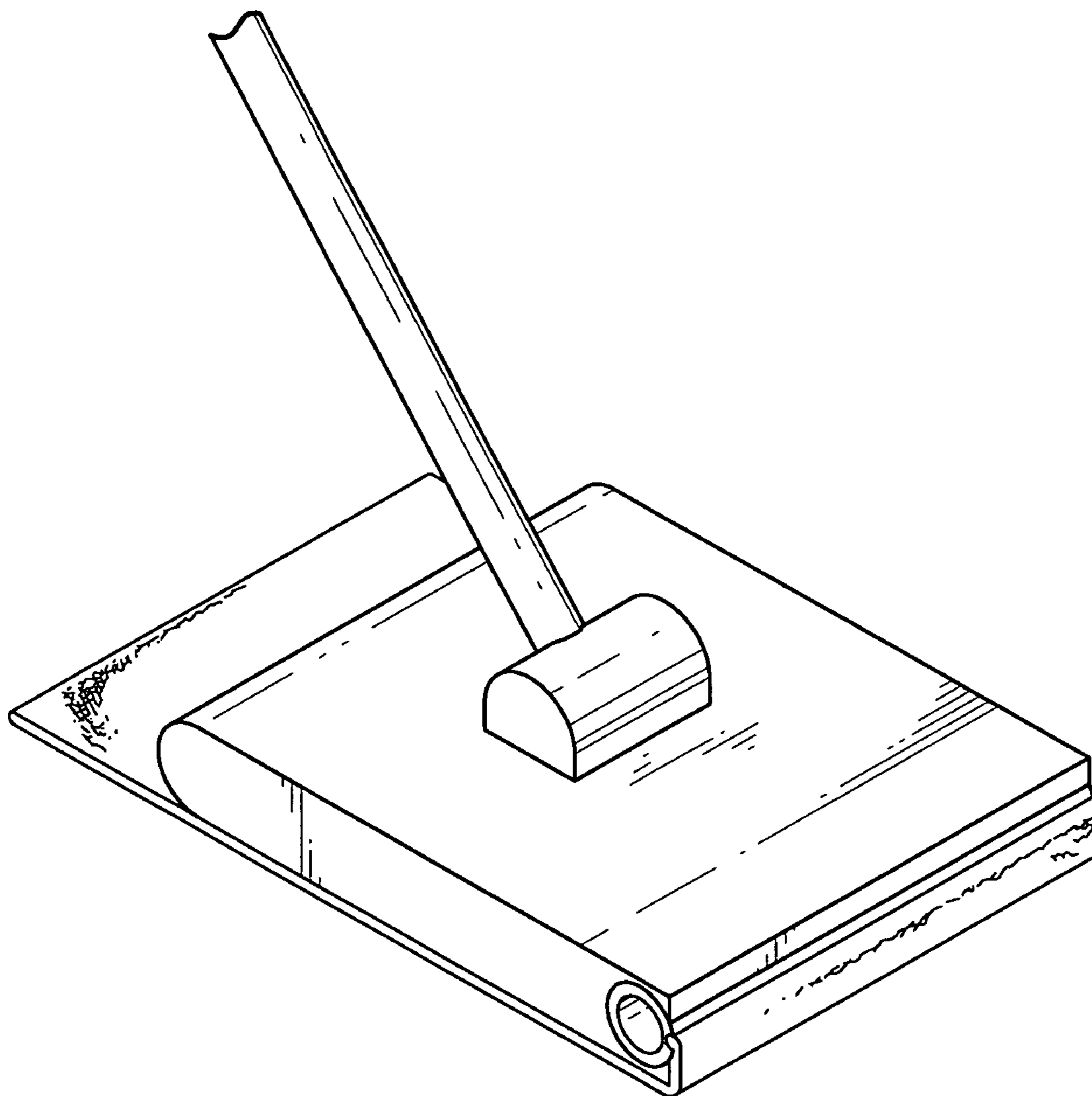


FIG. 1

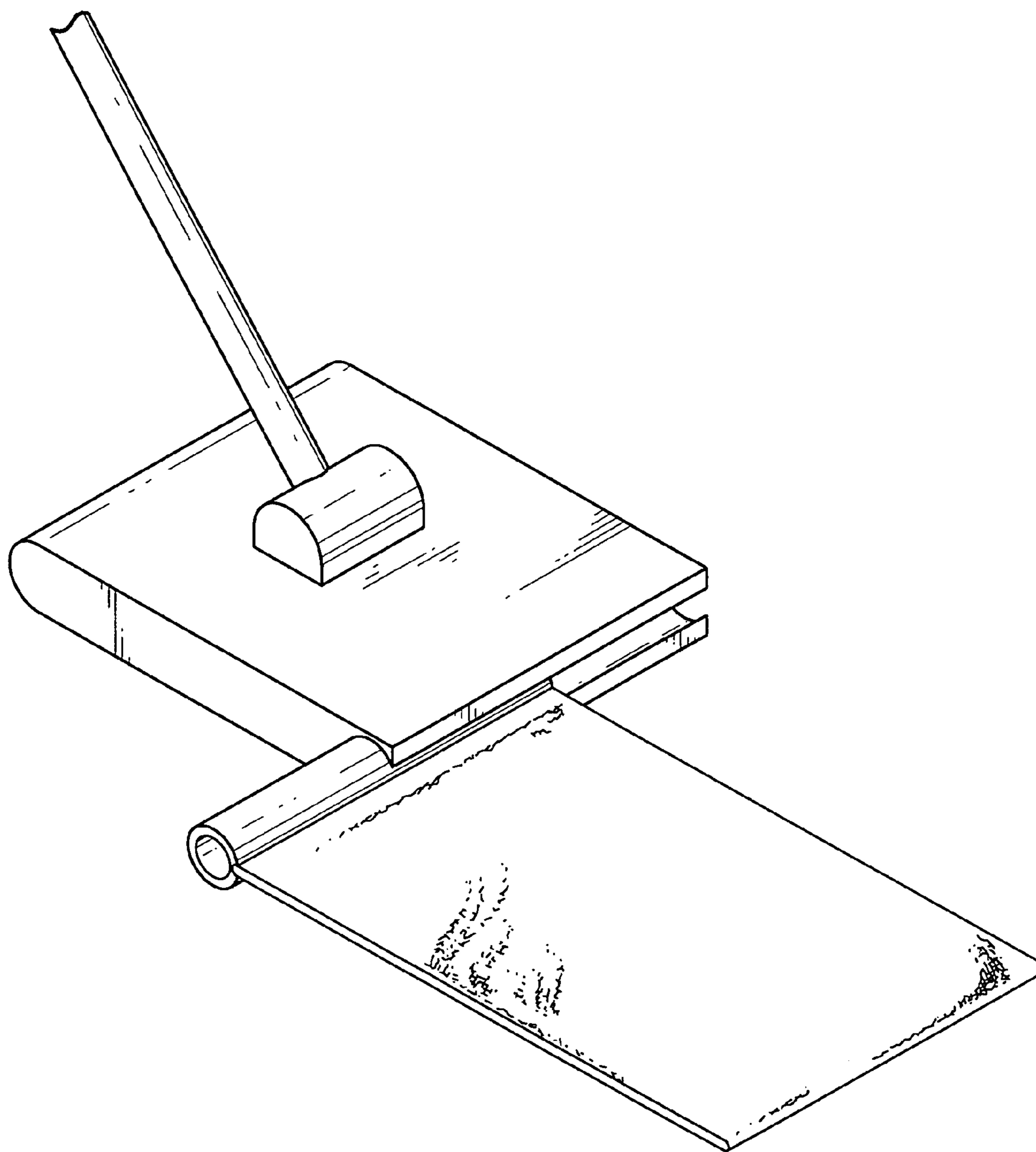


FIG. 2

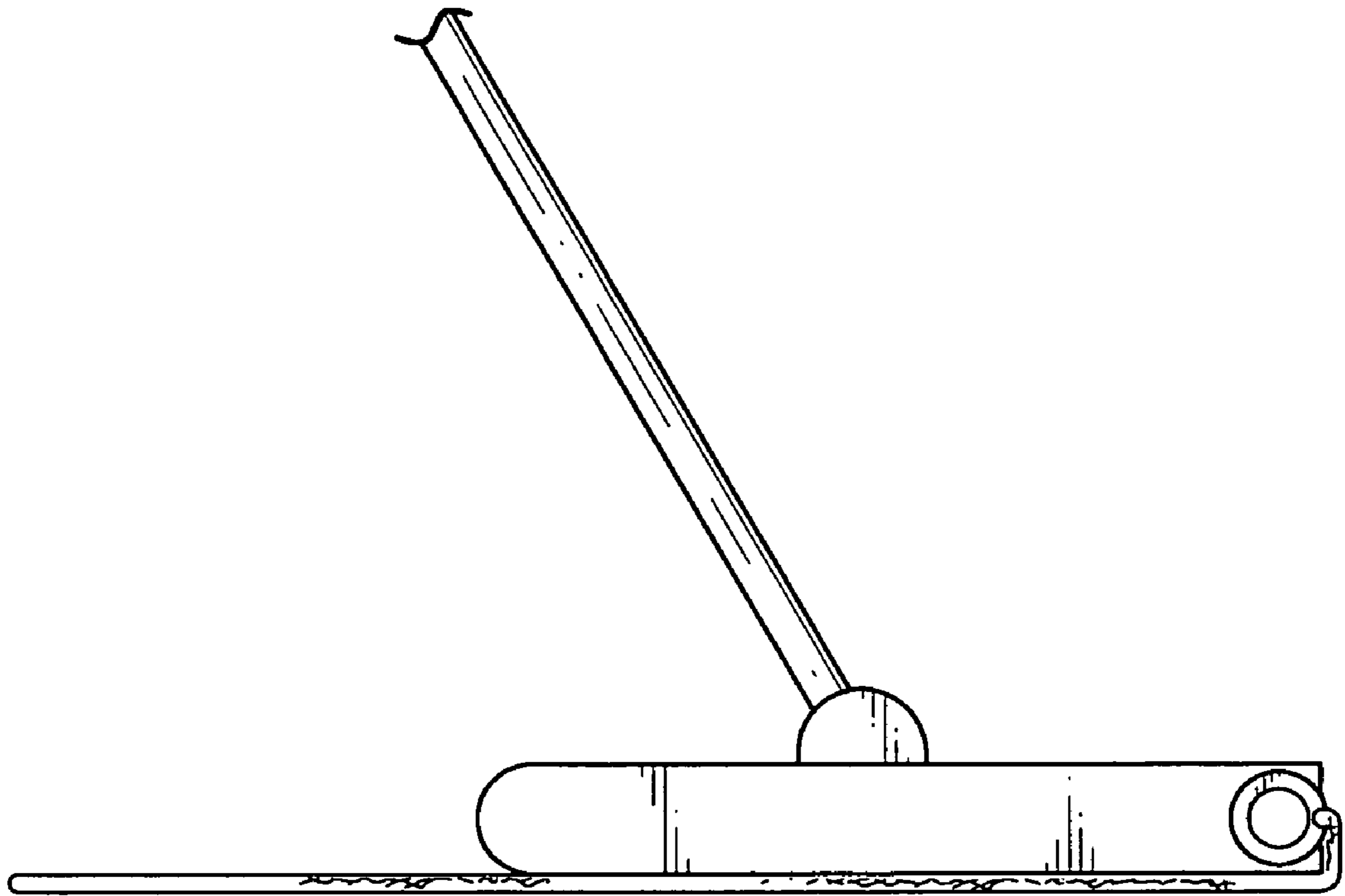


FIG. 3