

US00D614370S

(12) **United States Design Patent**  
**Dyson et al.**

(10) **Patent No.:** **US D614,370 S**  
(45) **Date of Patent:** **\*\* Apr. 20, 2010**

(54) **PART OF A VACUUM CLEANER**

(75) Inventors: **James Dyson**, Gloucestershire (GB);  
**Alexander Stuart Knox**, Wiltshire  
(GB); **Tom Vallance Hamilton**  
**Crawford**, Bristol (GB)

(73) Assignee: **Dyson Limited**, Malmesbury, Wiltshire  
(GB)

(\*\*) Term: **14 Years**

(21) Appl. No.: **29/300,868**

(22) Filed: **May 22, 2008**

(30) **Foreign Application Priority Data**

Nov. 23, 2007 (GB) ..... 4005374

(51) **LOC (9) Cl.** ..... **15-05**

(52) **U.S. Cl.** ..... **D32/34**

(58) **Field of Classification Search** ..... D32/18,  
D32/21, 22, 31, 34; 15/329, 344, 410-411,  
15/327.1, 414, 350, 353, 323; 16/110.1;  
285/7, 38

See application file for complete search history.

(56) **References Cited**

**U.S. PATENT DOCUMENTS**

- 2,686,330 A 8/1954 Wales
- 3,794,351 A 2/1974 Cudmore
- 5,564,161 A 10/1996 Glatz
- 5,584,095 A 12/1996 Redding et al.
- D426,038 S \* 5/2000 Essex et al. .... D32/34
- D427,737 S 7/2000 Dyson et al.
- D439,379 S 3/2001 Gammack et al.
- D449,724 S 10/2001 Nighy et al.
- D453,404 S \* 2/2002 Farone et al. .... D32/34
- D453,597 S \* 2/2002 Zahuranec et al. .... D32/34
- D460,231 S 7/2002 Bagwell et al.
- D462,813 S 9/2002 Nakano et al.
- D471,683 S 3/2003 Dyson et al.
- D475,820 S 6/2003 Dyson et al.
- D494,718 S 8/2004 Rosenzweig et al.

- D494,719 S 8/2004 Rosenzweig et al.
- D511,231 S 11/2005 Langham et al.
- 6,989,039 B2 1/2006 Vuijk
- D517,633 S 3/2006 Chen
- D517,757 S 3/2006 Santiago
- D518,933 S 4/2006 Courtney
- D520,692 S 5/2006 Leyden
- D529,248 S \* 9/2006 McCulloch ..... D32/34
- D529,673 S \* 10/2006 Dyson et al. .... D32/34
- D529,674 S \* 10/2006 Dyson et al. .... D32/34
- D532,169 S \* 11/2006 Dyson et al. .... D32/34
- D533,695 S 12/2006 Dyson et al.
- D533,699 S \* 12/2006 Dyson et al. .... D32/34
- D534,324 S 12/2006 Dyson et al.

(Continued)

**OTHER PUBLICATIONS**

James Dyson et al. "Vacuum Cleaner Part-II," specification and drawings of related U.S. Appl. No. 29/300,874, filed May 22, 2008. 7 pages.

(Continued)

*Primary Examiner*—Ruth McInroy  
(74) *Attorney, Agent, or Firm*—Morrison & Foerster LLP

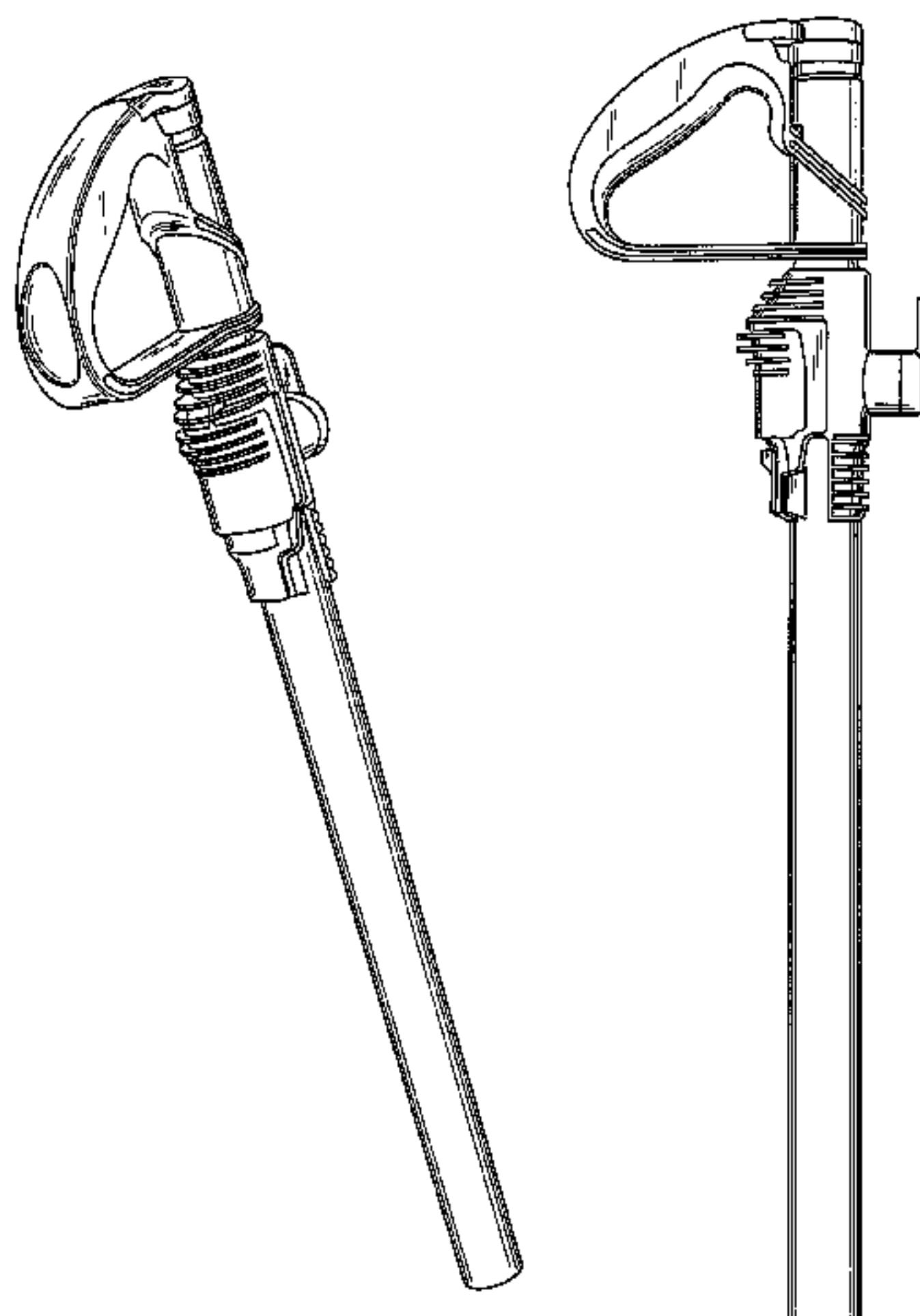
(57) **CLAIM**

We claim the ornamental design for a part of a vacuum cleaner, as shown and described.

**DESCRIPTION**

FIG. 1 is a perspective view of a part of a vacuum cleaner showing our new design;  
FIG. 2 is a plan view thereof from above;  
FIG. 3 is a bottom view thereof;  
FIG. 4 is a side view thereof;  
FIG. 5 is a side view of the opposite side of FIG. 4;  
FIG. 6 is a front view thereof;  
FIG. 7 is a rear view thereof; and,  
FIG. 8 is a reduced view of FIG. 6 in an extended position.

**1 Claim, 6 Drawing Sheets**



# US D614,370 S

Page 2

## U.S. PATENT DOCUMENTS

RE39,473 E 1/2007 Salo et al.  
D547,505 S 7/2007 Carr et al.  
D548,412 S \* 8/2007 Bobrosky ..... D32/34  
D561,959 S \* 2/2008 Hahn ..... D32/22  
D563,066 S 2/2008 Shevlin  
D564,720 S 3/2008 Dyson et al.  
D565,265 S 3/2008 Quance et al.  
7,341,611 B2 3/2008 Greene et al.  
D565,815 S 4/2008 Dyson et al.  
D567,459 S 4/2008 Dyson et al.  
D570,561 S 6/2008 Dyson et al.  
D588,762 S 3/2009 Dyson et al.  
D591,016 S \* 4/2009 Dyson et al. .... D32/22  
D596,360 S 7/2009 Dyson et al.  
D596,361 S 7/2009 Dyson et al.  
2005/0223519 A1 10/2005 Greene et al.  
2006/0156509 A1 \* 7/2006 Luebbering et al. .... 15/410  
2008/0222840 A1 9/2008 Worker et al.  
2008/0244860 A1 10/2008 Gammack et al.

2008/0250602 A1 \* 10/2008 Liddell ..... 15/410  
2008/0282497 A1 11/2008 Griffith et al.  
2009/0038111 A1 \* 2/2009 White et al. .... 15/410

## OTHER PUBLICATIONS

James Dyson et al. "Vacuum Cleaner," specification and drawings of related U.S. Appl. No. 29/300,869, filed May 22, 2008. 8 pages.  
James Dyson et al. "Vacuum Cleaner Part-III," specification and drawings of Related U.S. Appl. No. 29/300,873, filed May 22, 2008. 6 pages.  
James Dyson et al. "Vacuum Cleaner Part-IV," specification and drawings of related U.S. Appl. No. 29/300,870, filed May 22, 2008. 5 pages.  
James Dyson et al. "Vacuum Cleaner Part-IV," specification and drawings of related U.S. Appl. No. 29/300,872, filed May 22, 2008. 6 pages.  
James Dyson et al. "Vacuum Cleaner-II," specification and drawings of related U.S. Appl. No. 29/300,871, filed May 22, 2008. 8 pages.

\* cited by examiner

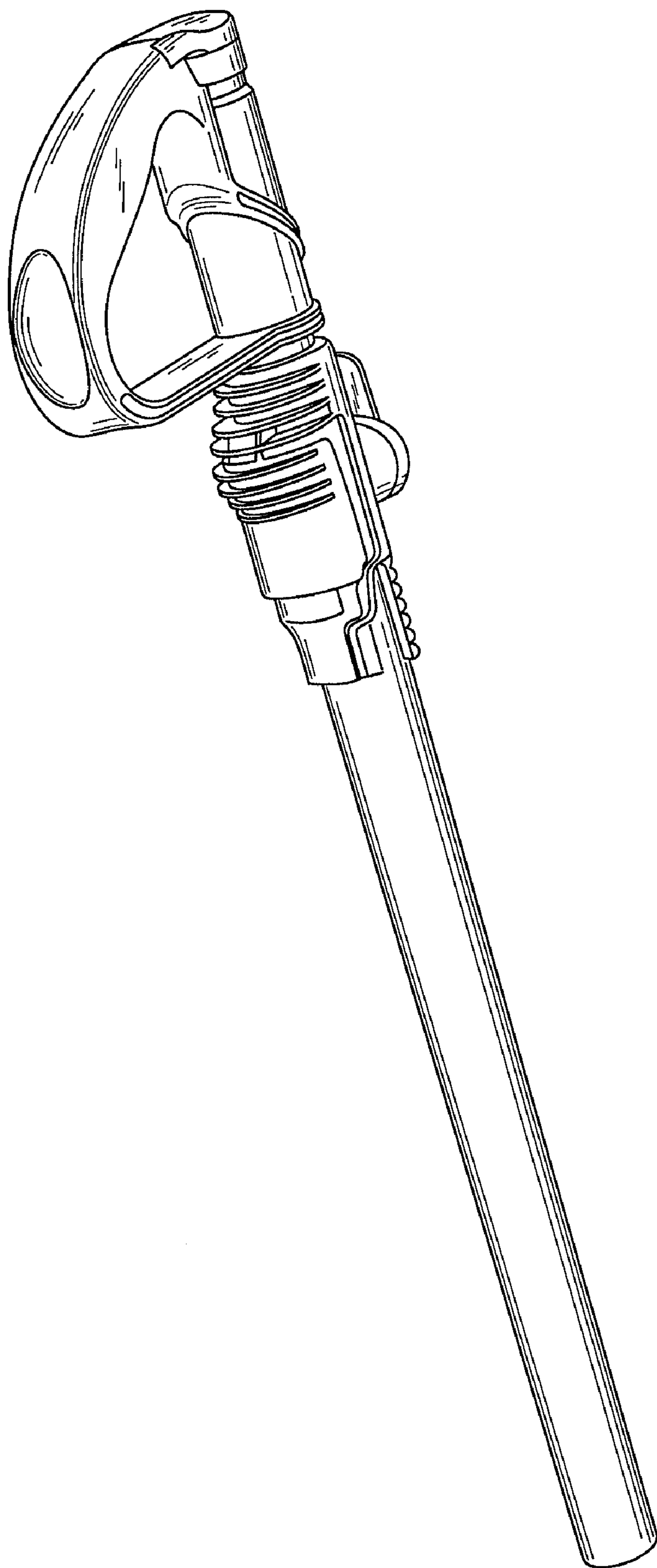


FIG. 1

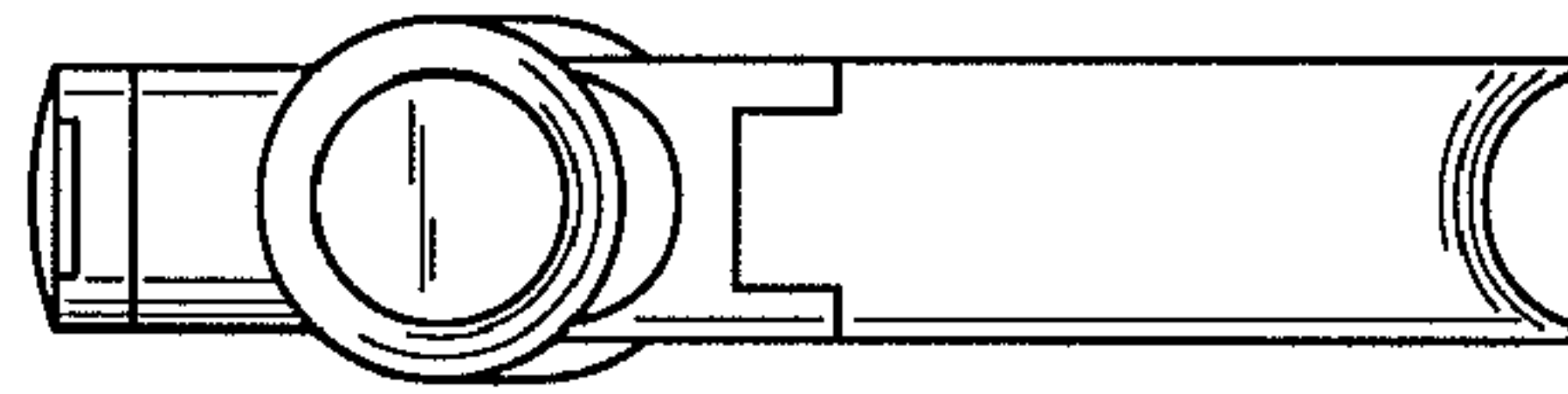


FIG. 2

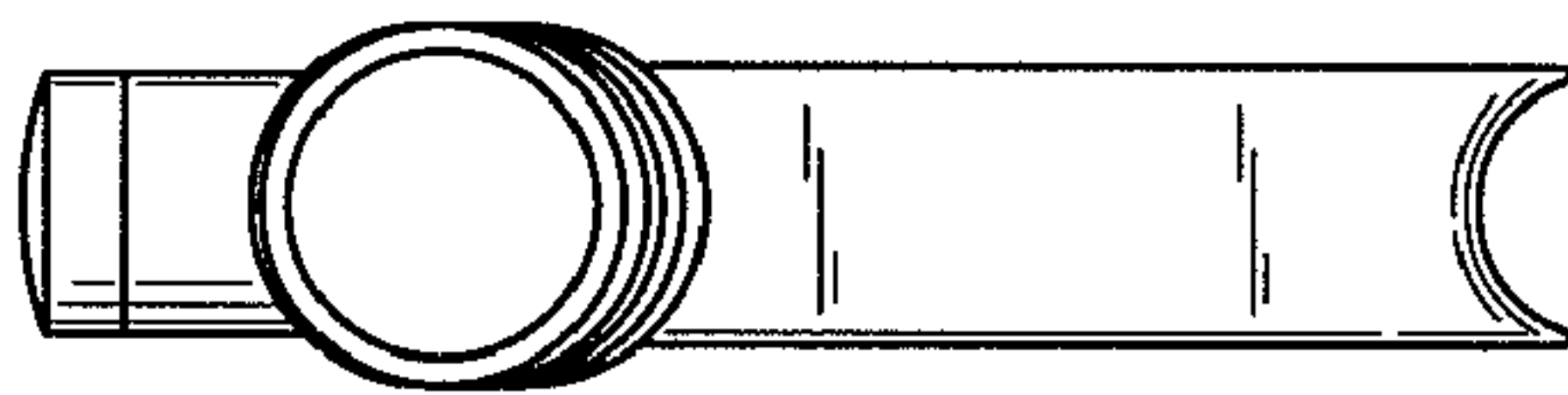


FIG. 3

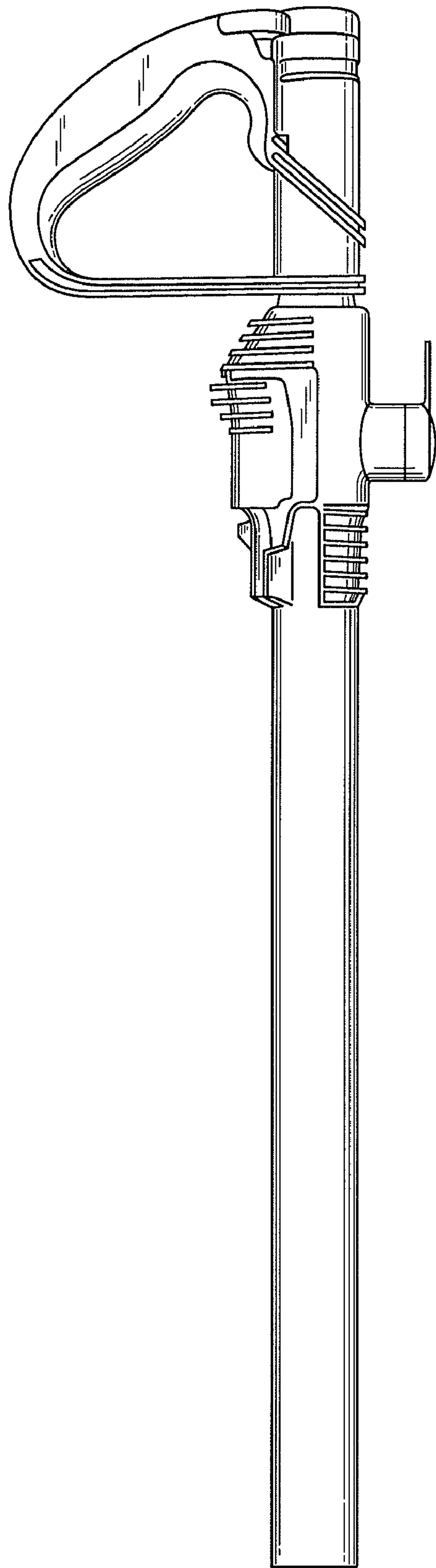


FIG. 4

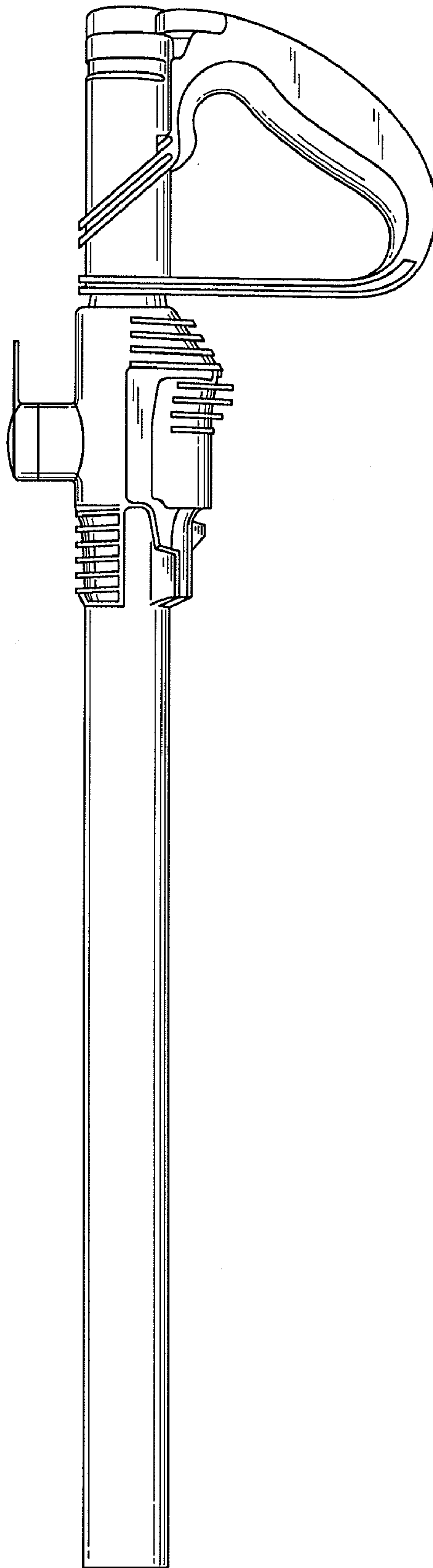


FIG. 5



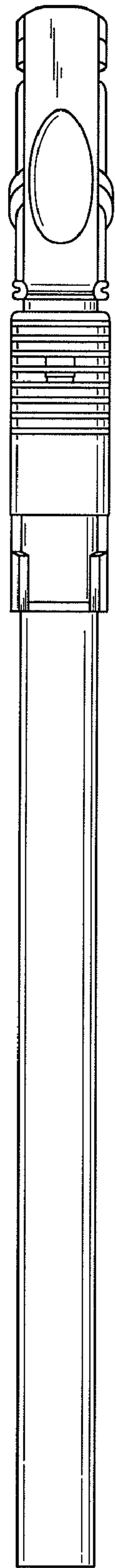


FIG. 6

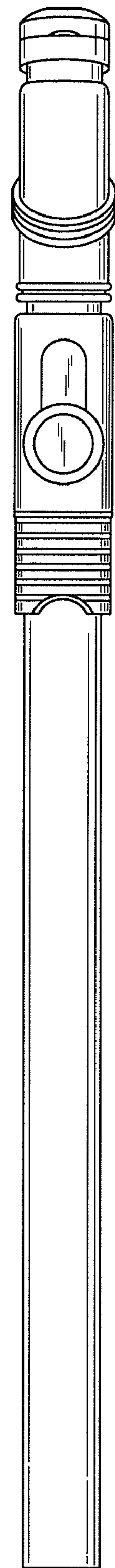


FIG. 7

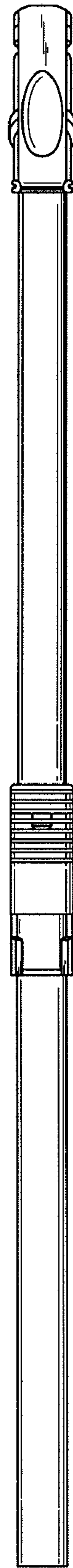


FIG. 8