



US00D614369S

(12) **United States Design Patent**
Theising et al.

(10) **Patent No.:** **US D614,369 S**
(45) **Date of Patent:** **** Apr. 20, 2010**

(54) **COMBINED WET/DRY VACUUM APPLIANCE**

(75) Inventors: **John L. Theising**, St. Peters, MO (US);
Shane Glasgow, St. Ann, MO (US);
Douglas Ritterling, Chesterfield, MO
(US)

(73) Assignee: **Emerson Electric Co.**, St. Louis, MO
(US)

(**) Term: **14 Years**

(21) Appl. No.: **29/334,492**

(22) Filed: **Mar. 27, 2009**

(51) **LOC (9) Cl.** **15-05**

(52) **U.S. Cl.** **D32/31**

(58) **Field of Classification Search** D32/21,
D32/23, 31; 15/327.1, 327.2, 327.4, 327.5,
15/327.7, 320-321, 323, 301, 312.1, 314,
15/353, 412, 347; 220/23.83, 23.6

See application file for complete search history.

(56) **References Cited**

U.S. PATENT DOCUMENTS

- D357,336 S 4/1995 Moine et al.
- D357,773 S 4/1995 Wareham et al.
- D361,179 S 8/1995 Moine et al.
- D362,091 S 9/1995 Tomasiak et al.
- 5,606,769 A 3/1997 Tomasiak et al.
- 5,611,107 A * 3/1997 Tomasiak et al. 15/327.2
- 6,055,700 A * 5/2000 Holsten et al. 15/327.2
- D426,355 S 6/2000 Rohn et al.
- D429,042 S 8/2000 Griffin et al.
- 6,158,083 A 12/2000 Holsten
- D438,353 S * 2/2001 Hoshino et al. D32/23
- D443,739 S 6/2001 Young et al.
- D446,892 S 8/2001 Griffin
- D447,842 S 9/2001 Griffin
- D447,844 S 9/2001 Griffin
- 6,347,429 B1 2/2002 Hult et al.
- 6,385,809 B1 5/2002 Martin et al.
- D470,279 S 2/2003 Griffin et al.

- 6,543,085 B2 4/2003 Holsten et al.
- D479,023 S * 8/2003 Holsten et al. D32/23
- D479,371 S 9/2003 Griffin et al.
- D486,280 S 2/2004 Holsten et al.
- D492,823 S 7/2004 Hoshino et al.
- D492,824 S 7/2004 Tomasiak et al.
- D506,042 S 6/2005 Griffin et al.
- D506,857 S 6/2005 Griffin et al.
- D507,386 S 7/2005 Griffin et al.
- D519,251 S 4/2006 Hoshino et al.
- D527,504 S 8/2006 Griffin et al.
- D528,255 S 9/2006 Griffin et al.
- D542,989 S 5/2007 Weinberg et al.
- D588,316 S 3/2009 Griffin

OTHER PUBLICATIONS

U.S. Appl. No. 29/324,808, Theising, J., et al.; filed Sep. 22, 2008.

* cited by examiner

Primary Examiner—Ruth McInroy

(74) *Attorney, Agent, or Firm*—Locke Lord Bissell & Liddell
LLP

(57) **CLAIM**

The ornamental design for combined a wet/dry vacuum appli-
ance, as shown and described.

DESCRIPTION

FIG. 1 is an isometric front perspective view of a combined
wet/dry vacuum appliance showing our design;

FIG. 2 is a front elevational view thereof;

FIG. 3 is a back elevational view thereof;

FIG. 4 is a side view thereof;

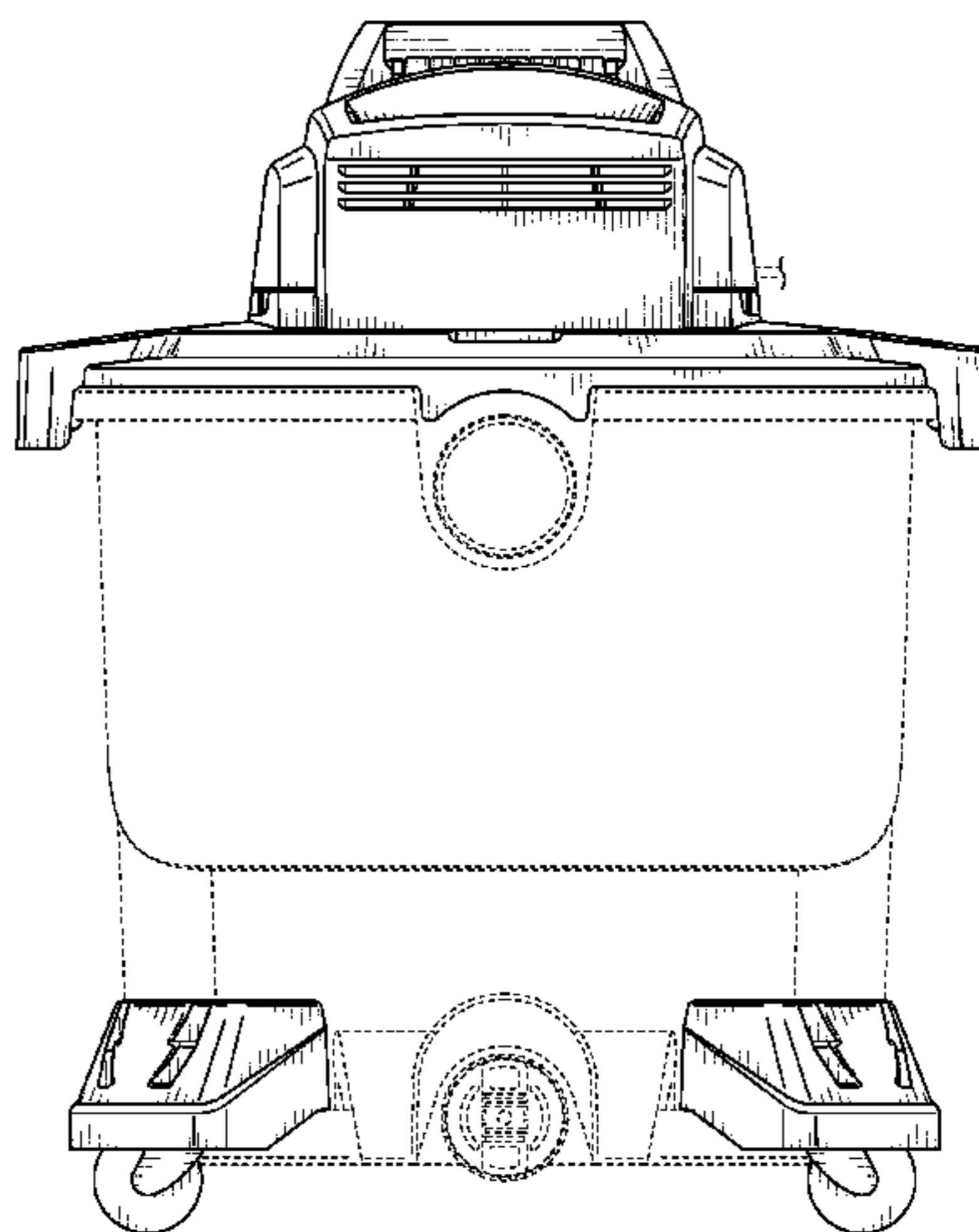
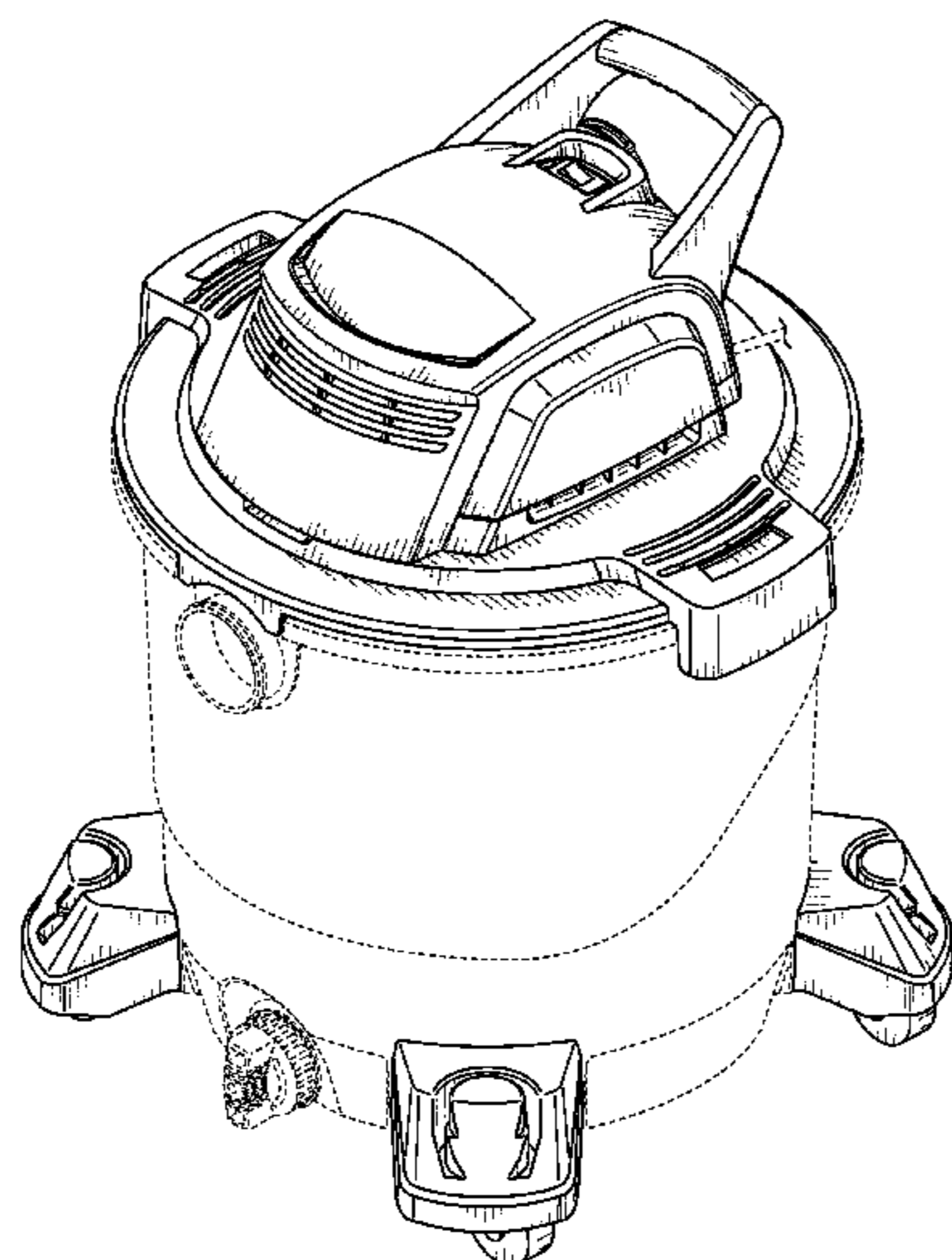
FIG. 5 is a side view of the opposite side of FIG. 4;

FIG. 6 is a top plan view thereof; and,

FIG. 7 is a bottom plan view thereof.

The details shown in broken lines form no part of the claimed
design.

1 Claim, 7 Drawing Sheets



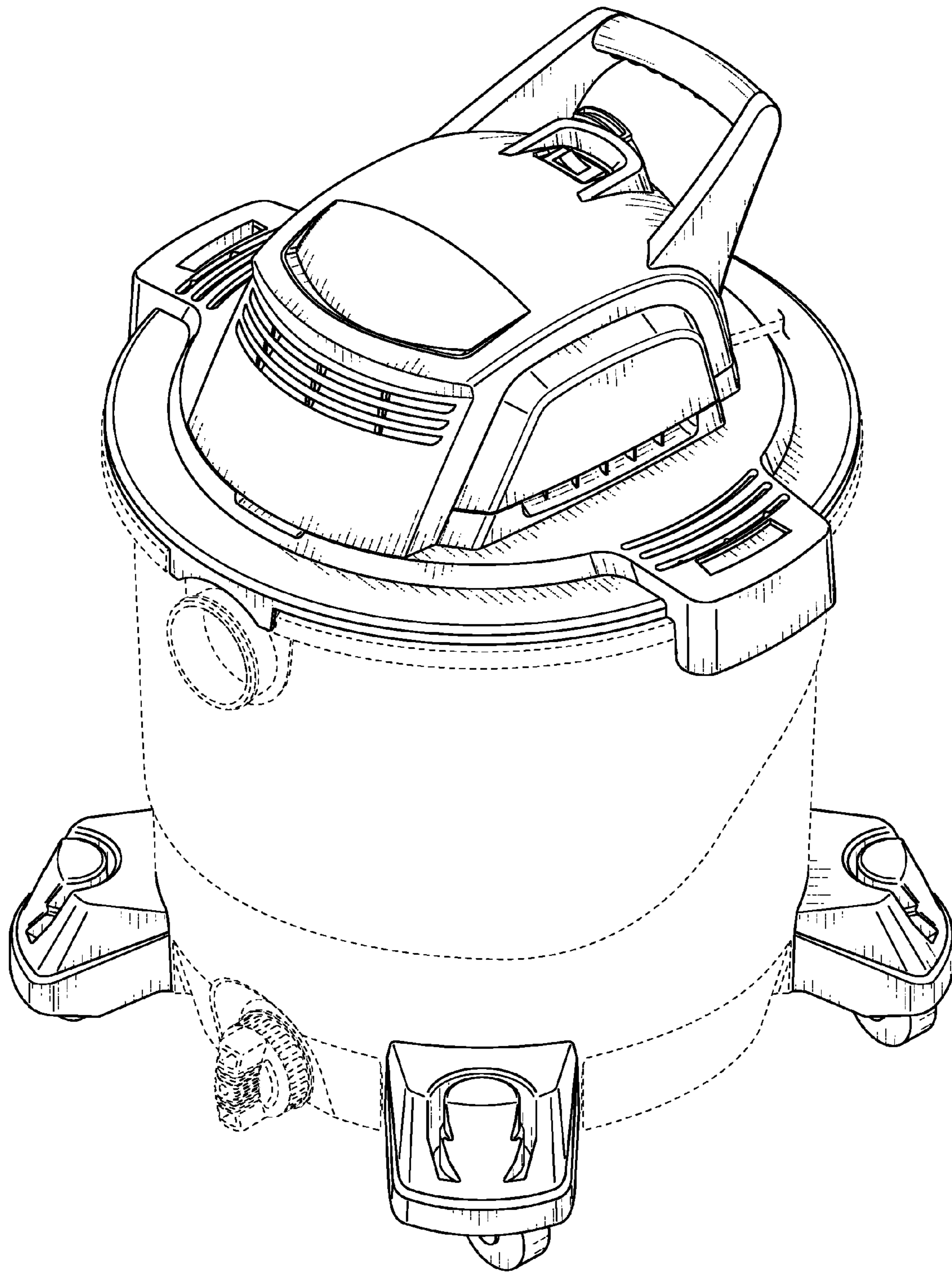


FIG. 1

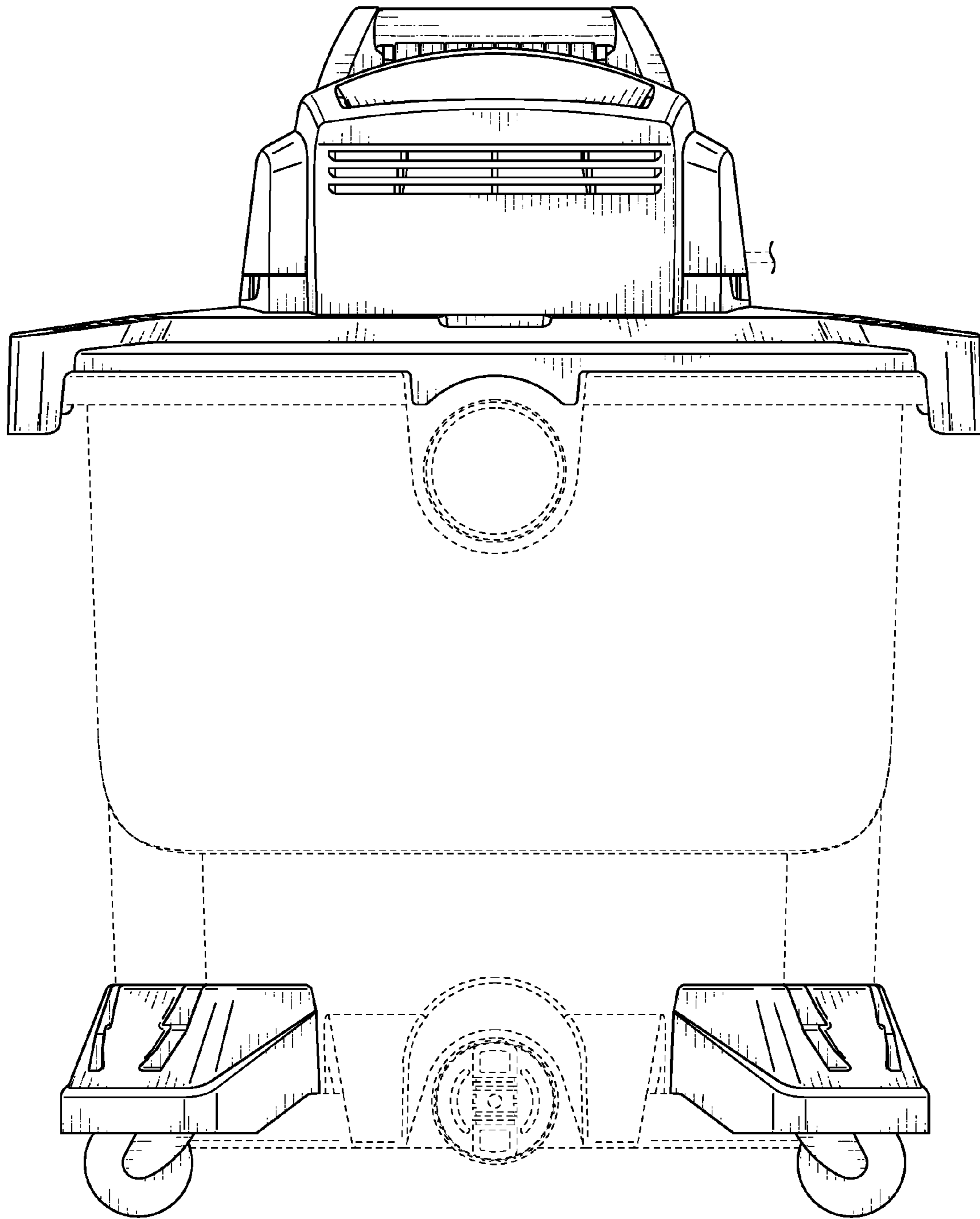


FIG. 2

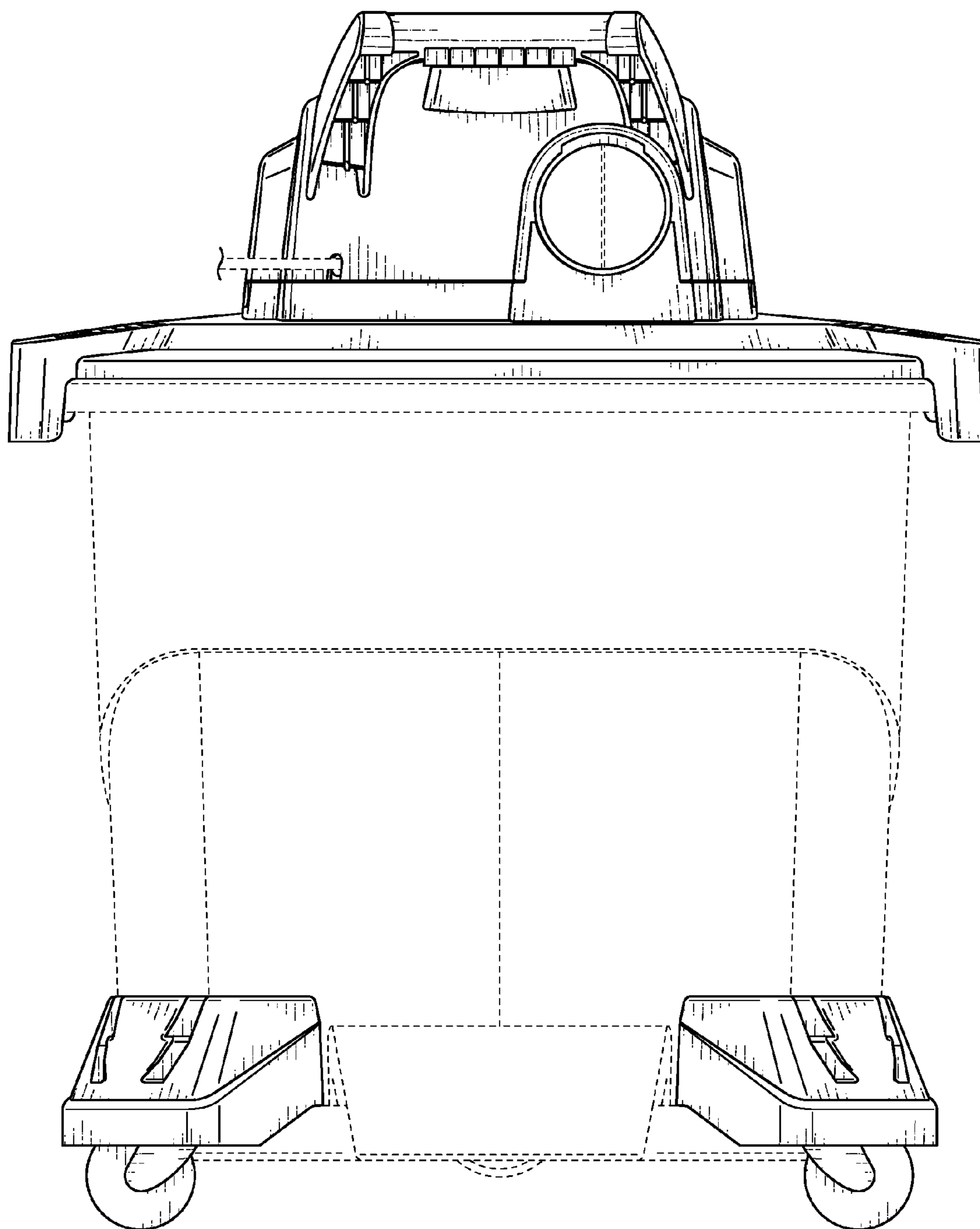


FIG. 3

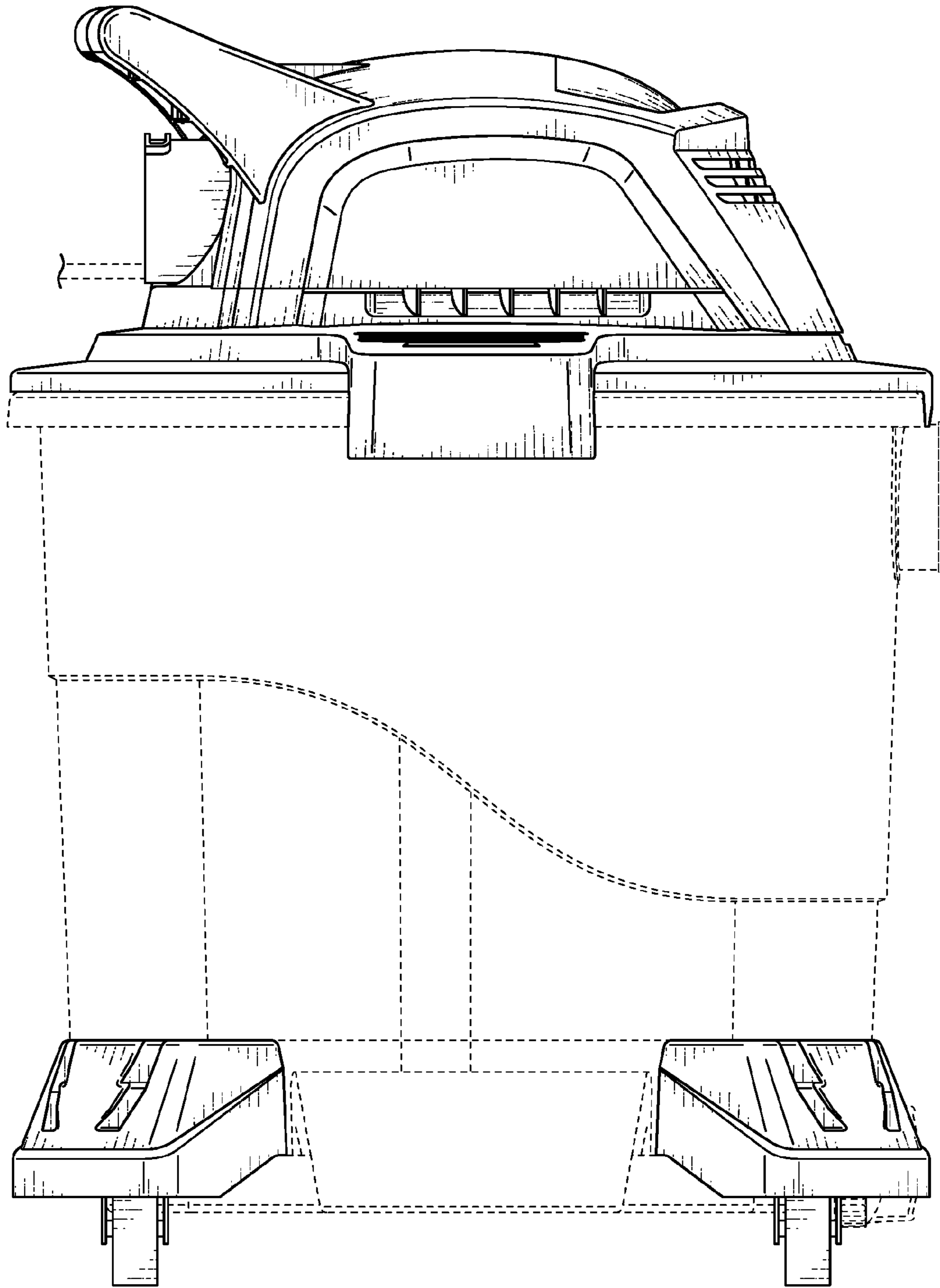


FIG. 4

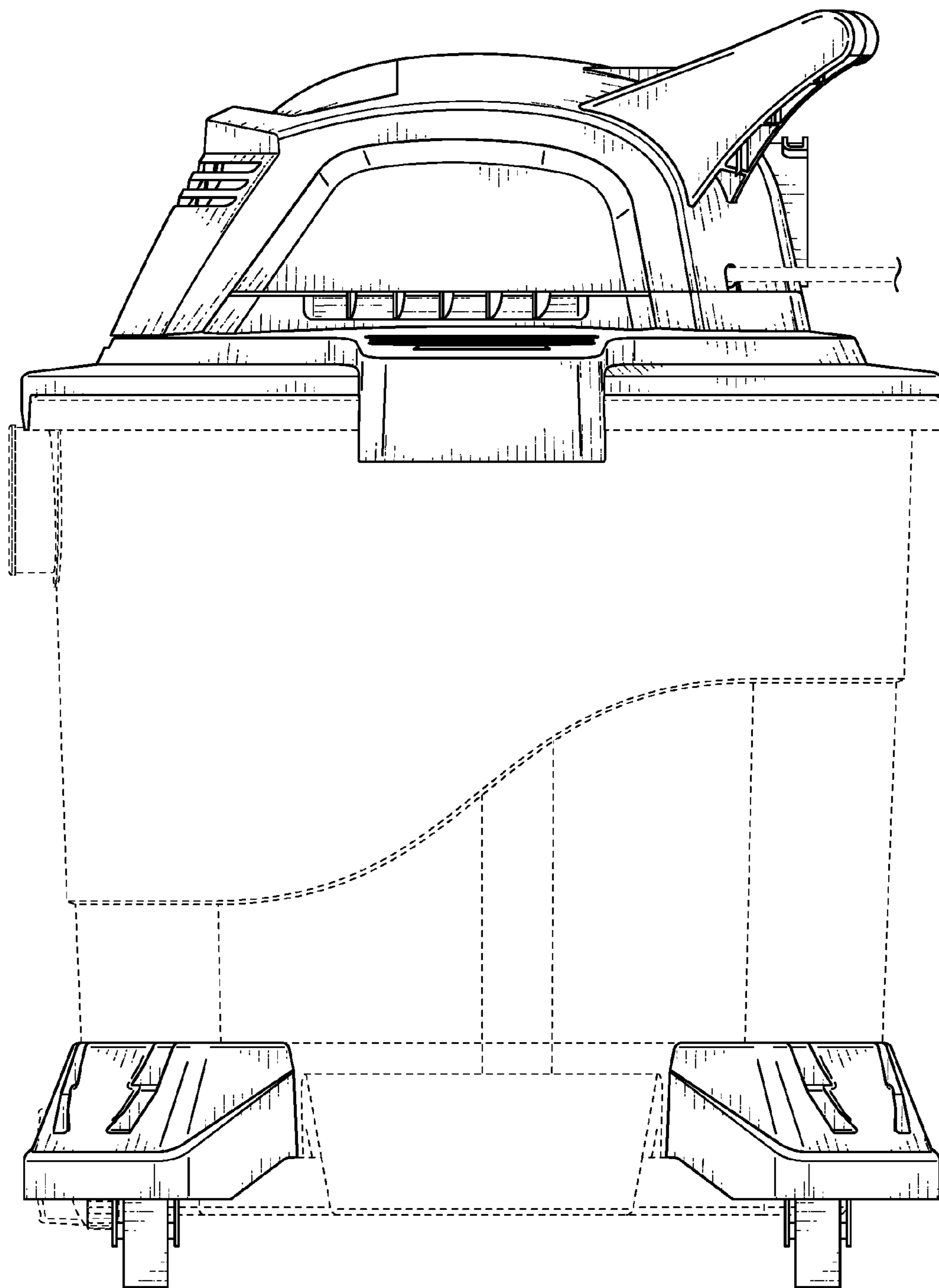


FIG. 5

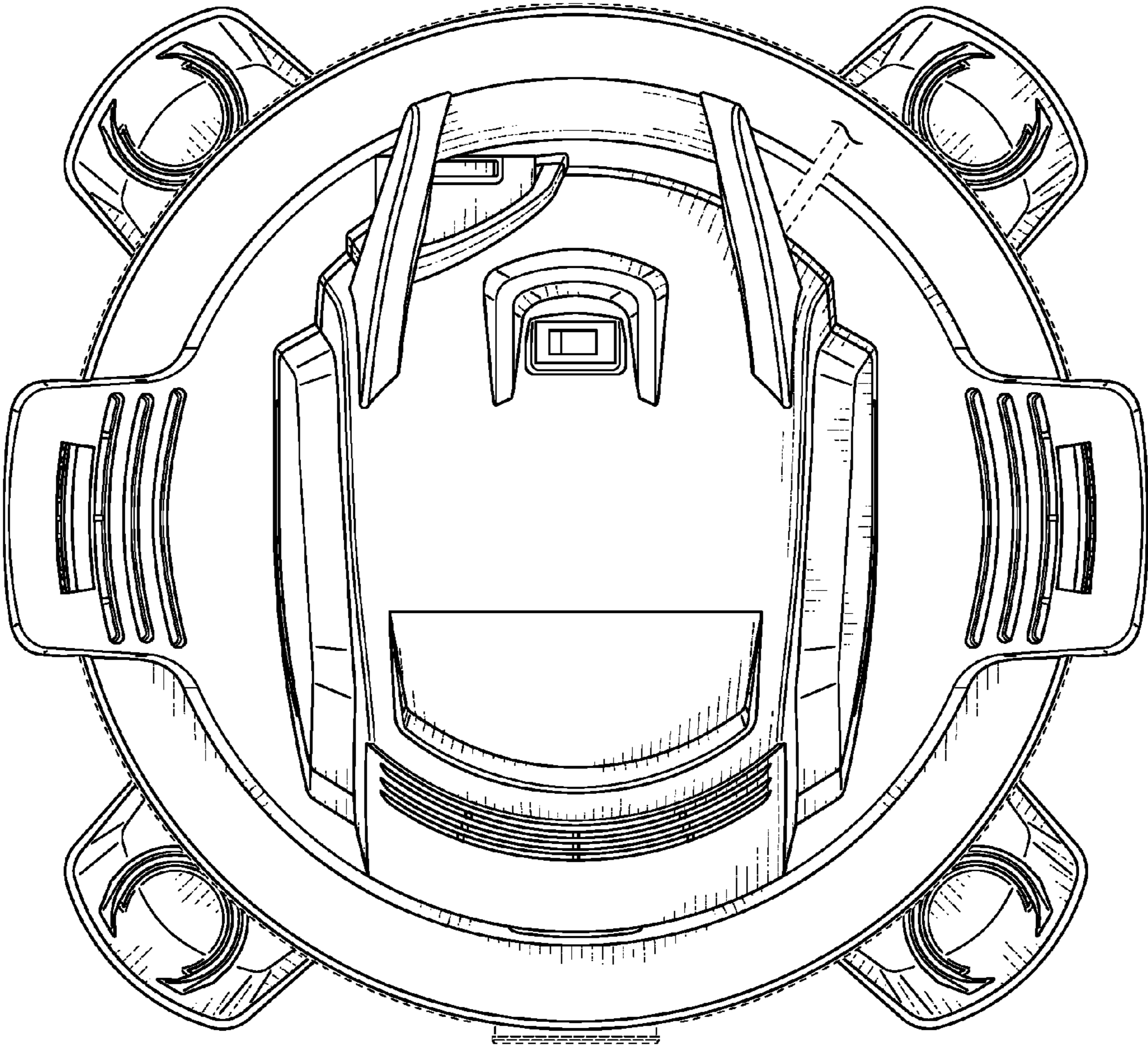


FIG. 6

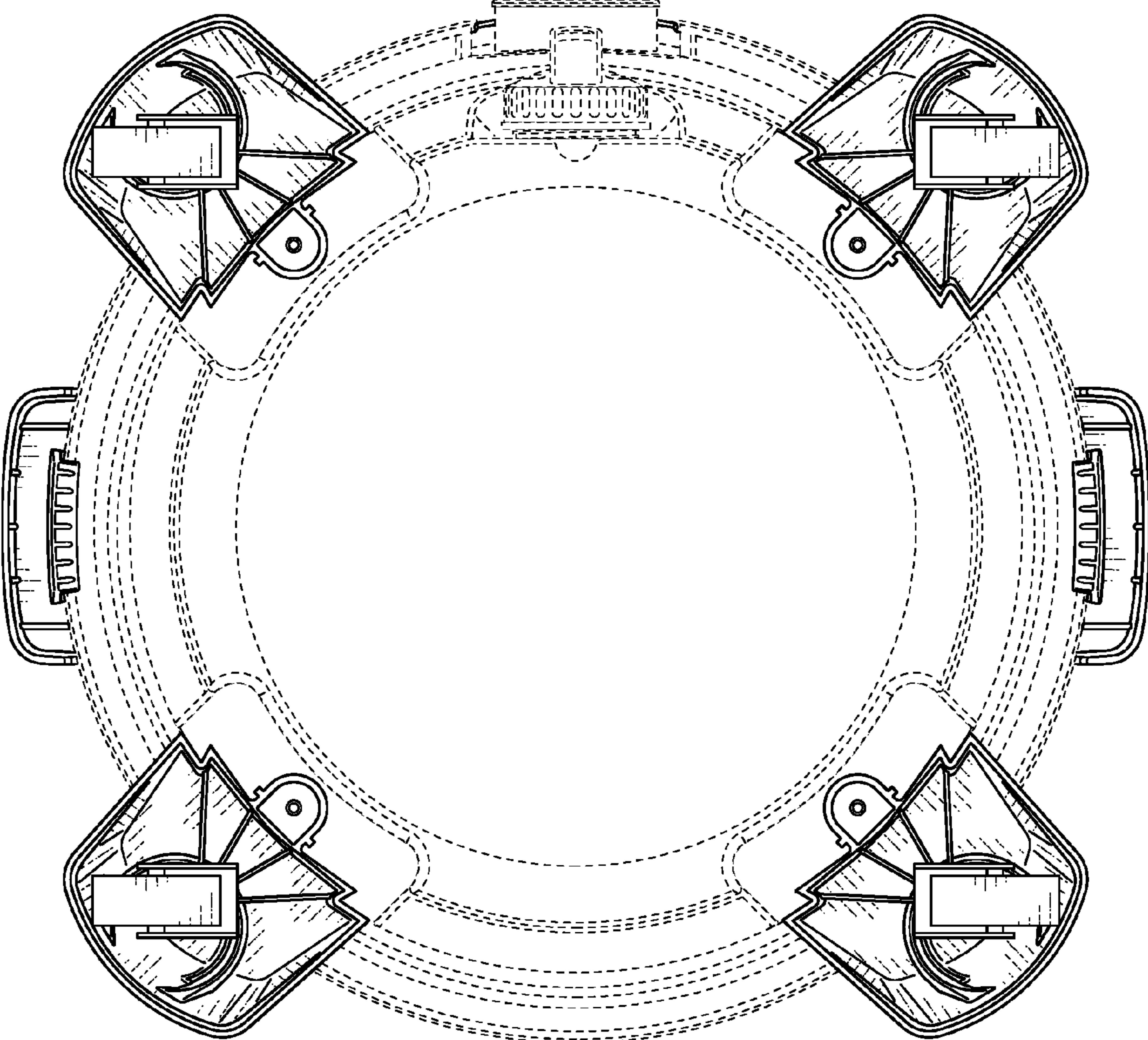


FIG. 7