



US00D614367S

(12) **United States Design Patent**
Weeter

(10) **Patent No.:** **US D614,367 S**

(45) **Date of Patent:** **** Apr. 20, 2010**

(54) **VACUUM CLEANER**

(75) Inventor: **Darrell Weeter**, Broadview Heights, OH
(US)

(73) Assignee: **F.V.S., Inc.**, Broadview Heights, OH
(US)

(**) Term: **14 Years**

(21) Appl. No.: **29/342,187**

(22) Filed: **Aug. 20, 2009**

(51) **LOC (9) Cl.** **15-05**

(52) **U.S. Cl.** **D32/22**

(58) **Field of Classification Search** D32/18,
D32/21, 22, 31, 34; 15/329, 344, 410-411,
15/327.1, 414, 350, 353, 323; 16/110.1;
285/7, 38

See application file for complete search history.

(56) **References Cited**

U.S. PATENT DOCUMENTS

D320,491 S *	10/1991	Lackner et al.	D32/22
D435,945 S *	1/2001	Ikeno et al.	D32/22
D481,180 S *	10/2003	Fujii	D32/22
D494,720 S *	8/2004	Rosenzweig et al.	D32/31
6,779,229 B2 *	8/2004	Lee et al.	15/329
D535,070 S *	1/2007	Shin	D32/22

D571,065 S *	6/2008	Luebbering	D32/31
D575,014 S *	8/2008	Luo	D32/22
D587,870 S *	3/2009	Baek et al.	D32/22
D598,617 S *	8/2009	Santiago	D32/31
7,584,522 B1 *	9/2009	Weeter et al.	15/350

* cited by examiner

Primary Examiner—Ruth McInroy

(74) *Attorney, Agent, or Firm*—John D. Gugliotta, PE, Esq.

(57) **CLAIM**

The ornamental design for a vacuum cleaner, as shown and described.

DESCRIPTION

FIG. 1 is a front right perspective view of a vacuum cleaner showing my new design.

FIG. 2 is a front elevational view thereof;

FIG. 3 is a top plan view thereof;

FIG. 4 is a bottom plan view thereof;

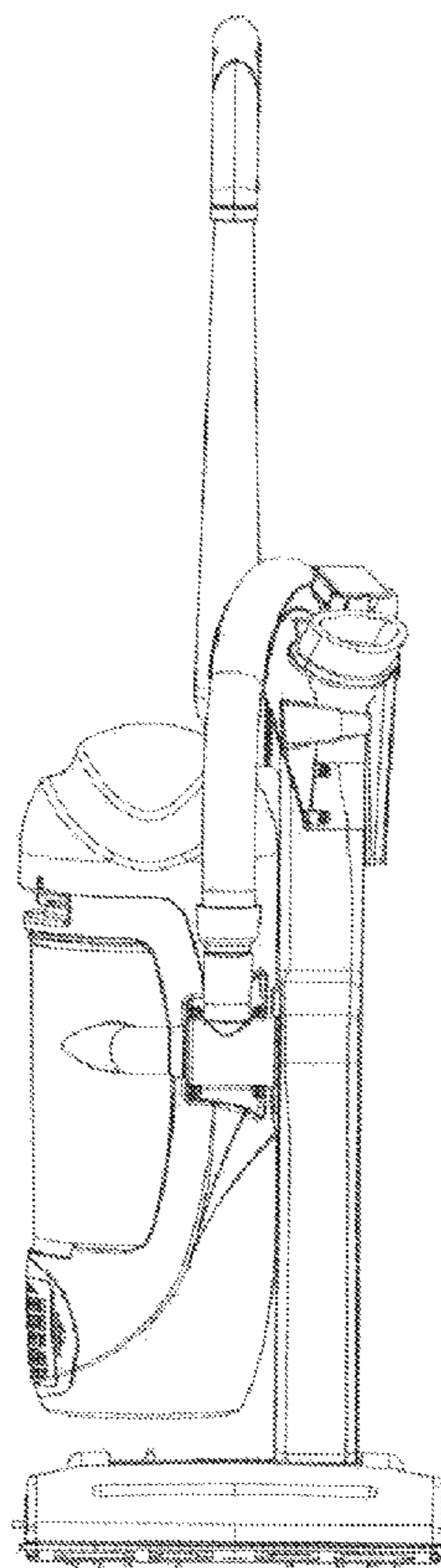
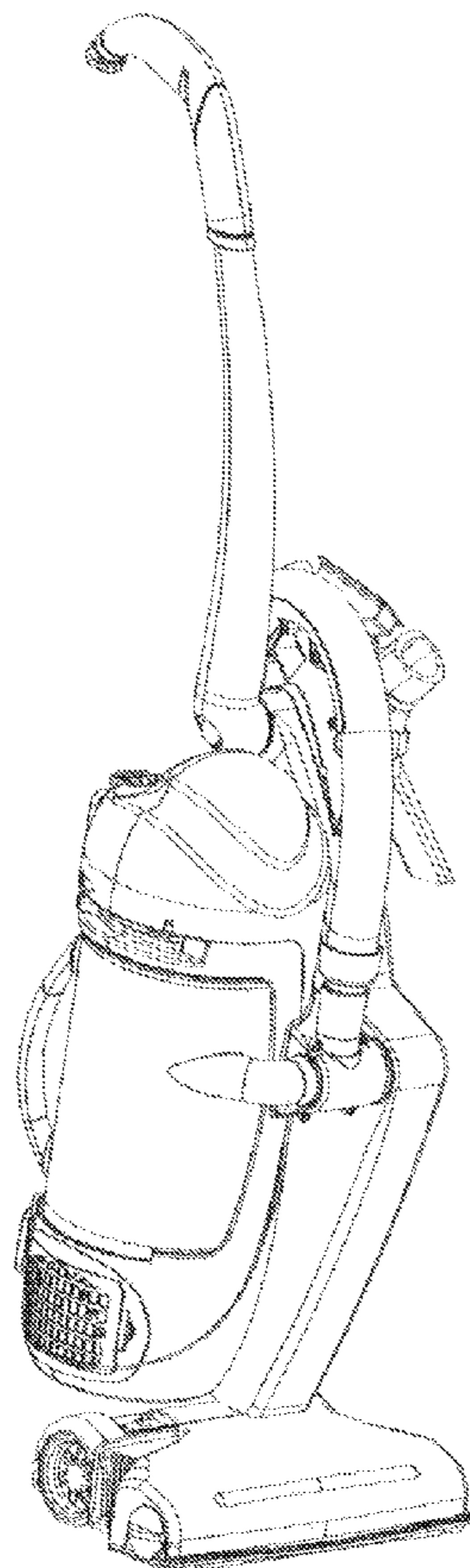
FIG. 5 is a left side elevational view thereof;

FIG. 6 is right side elevational view thereof;

FIG. 7 is a rear elevational view; and,

FIG. 8 is a rear left perspective view thereof.

1 Claim, 8 Drawing Sheets



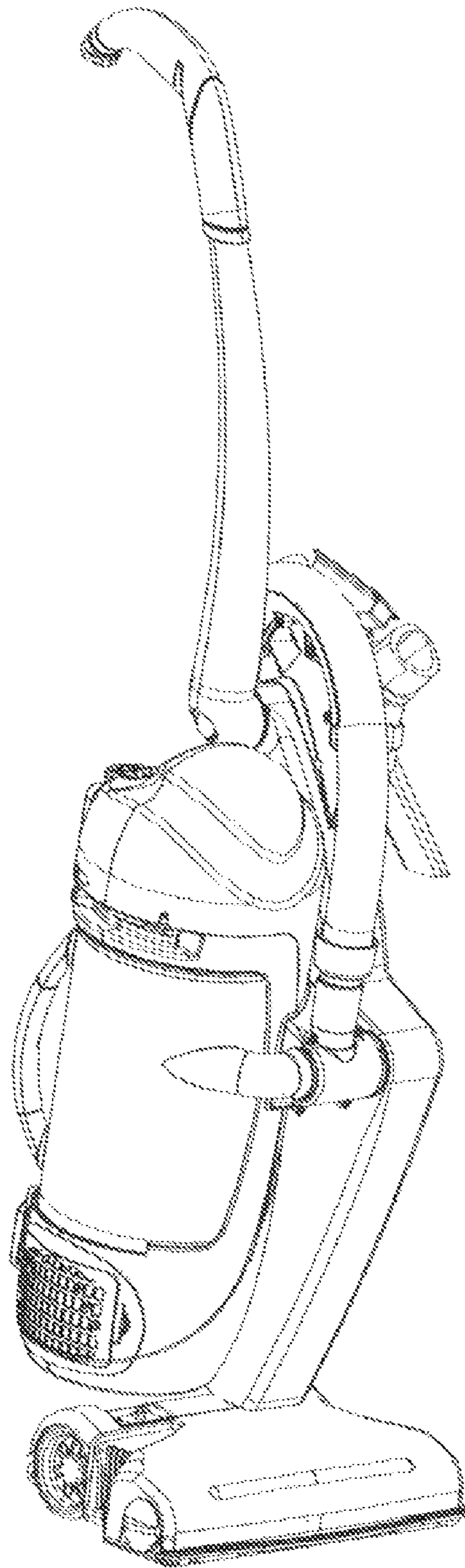


FIG. 1

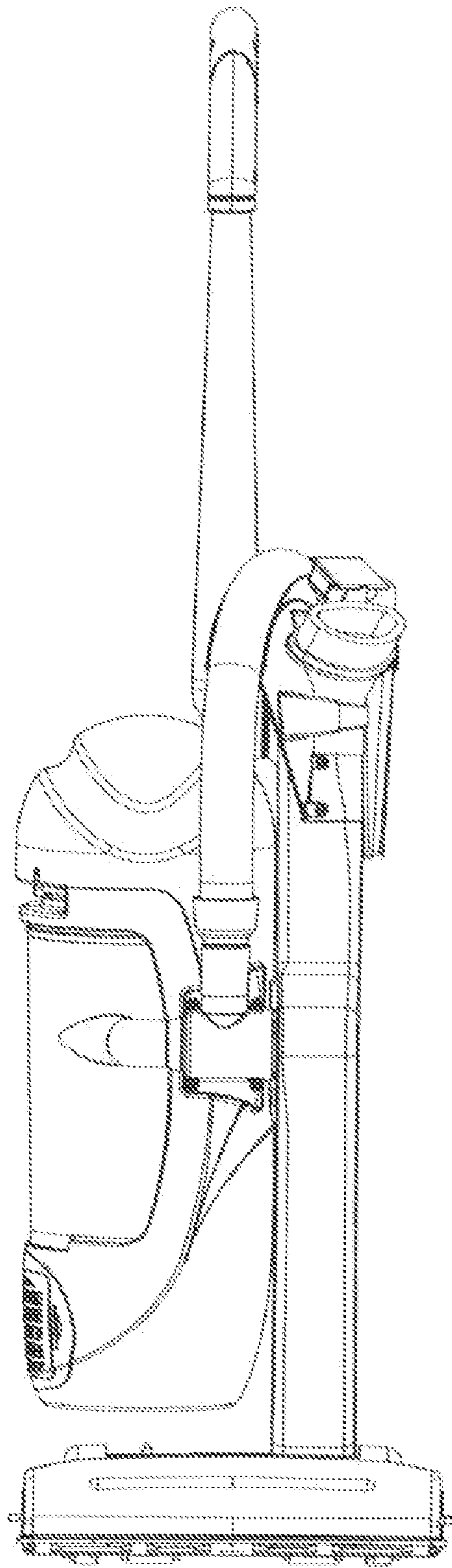


FIG. 2

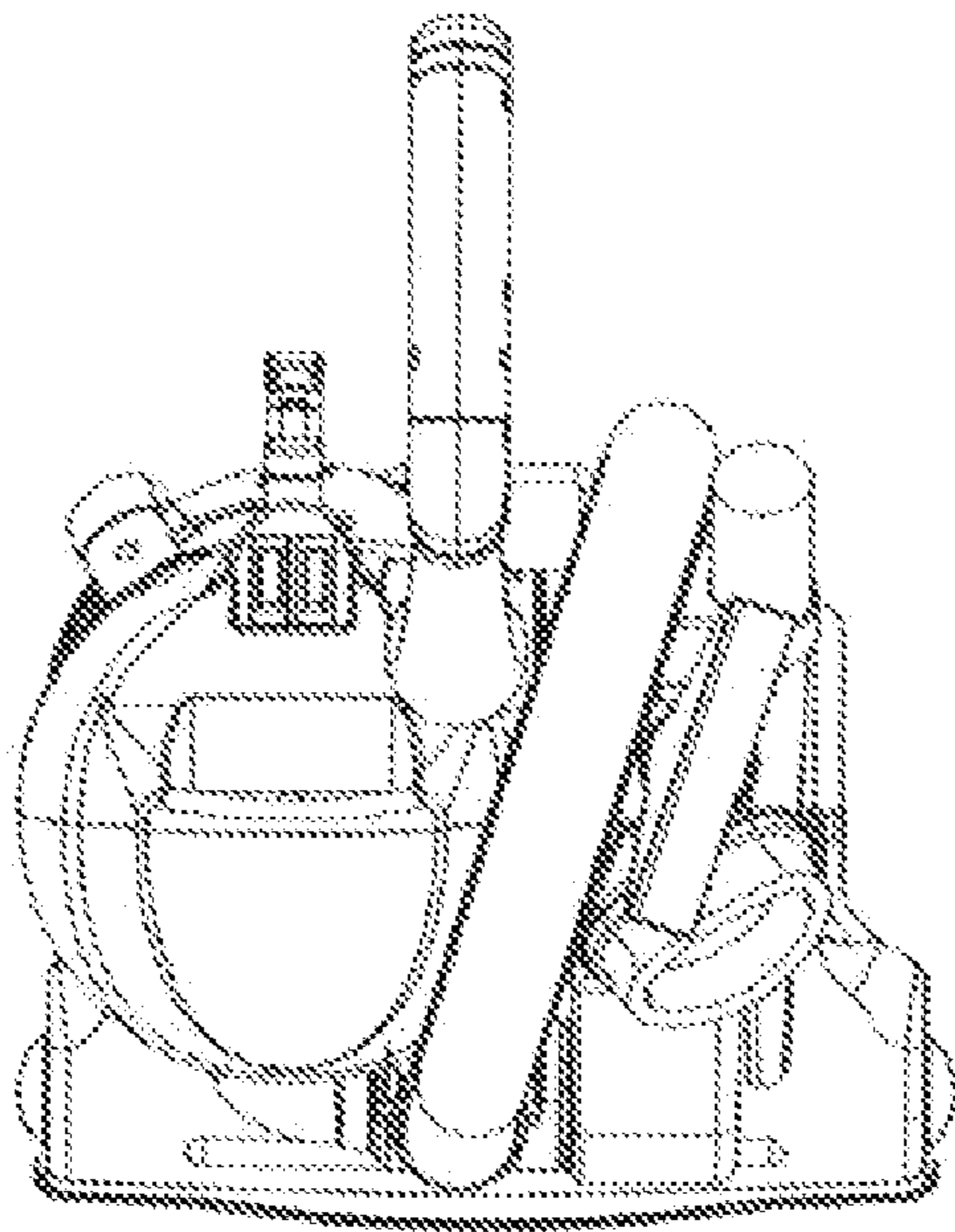


FIG. 3

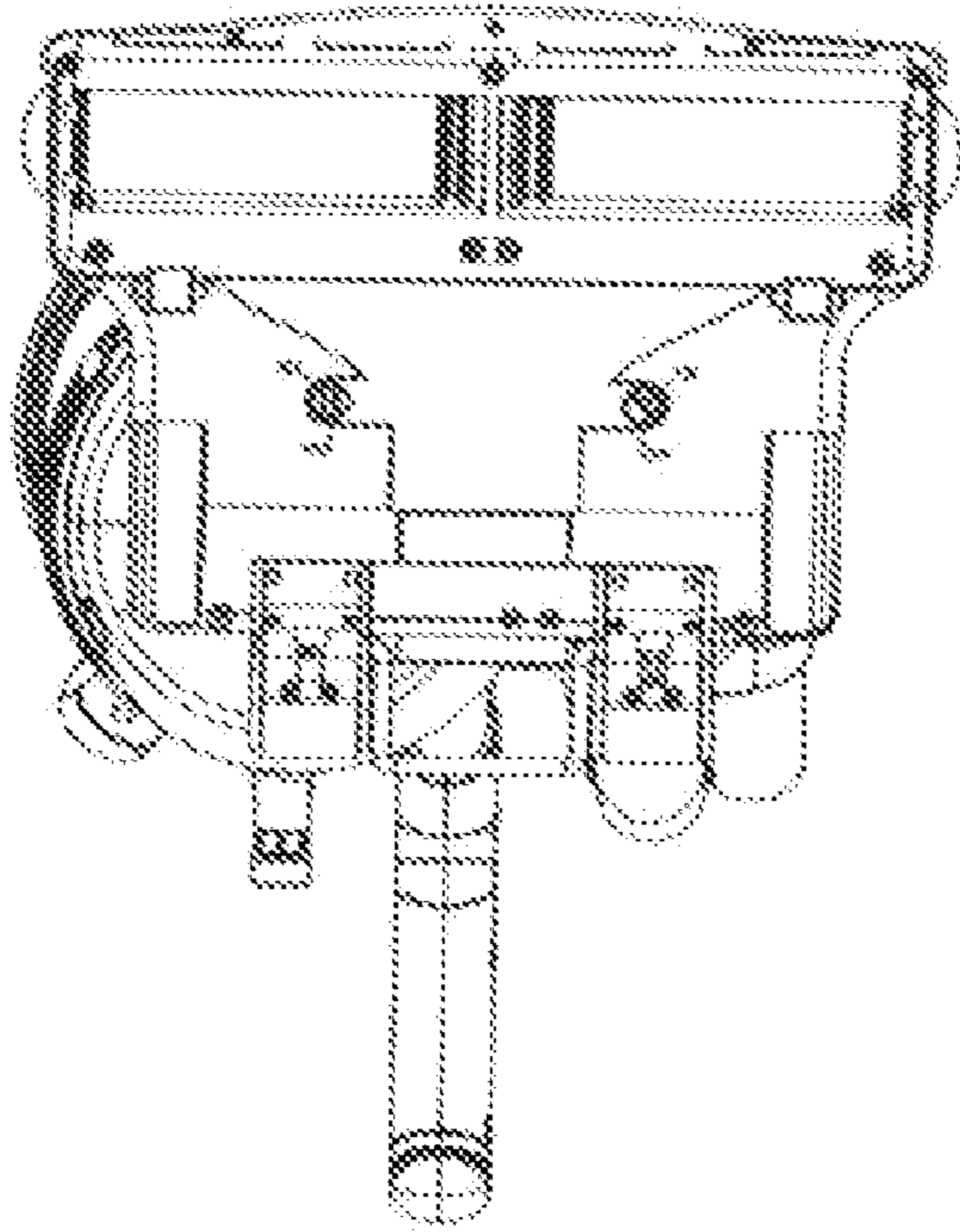


FIG. 4

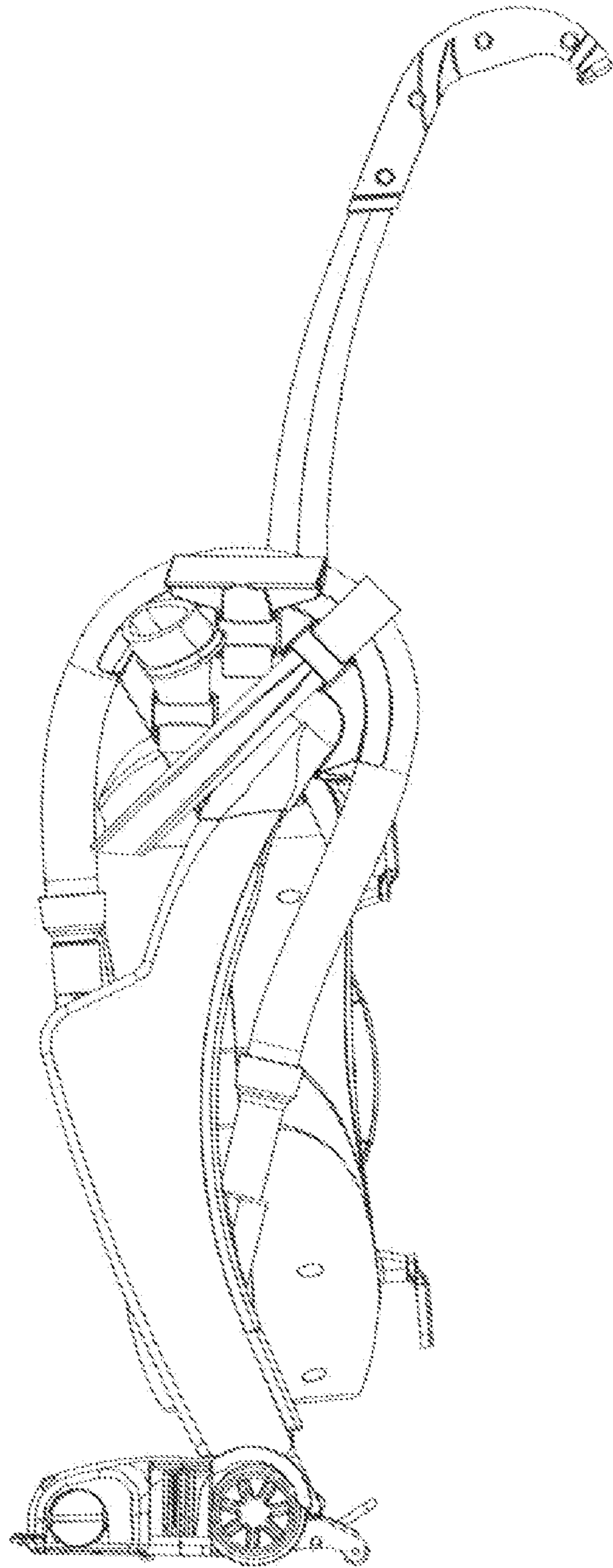


FIG. 5

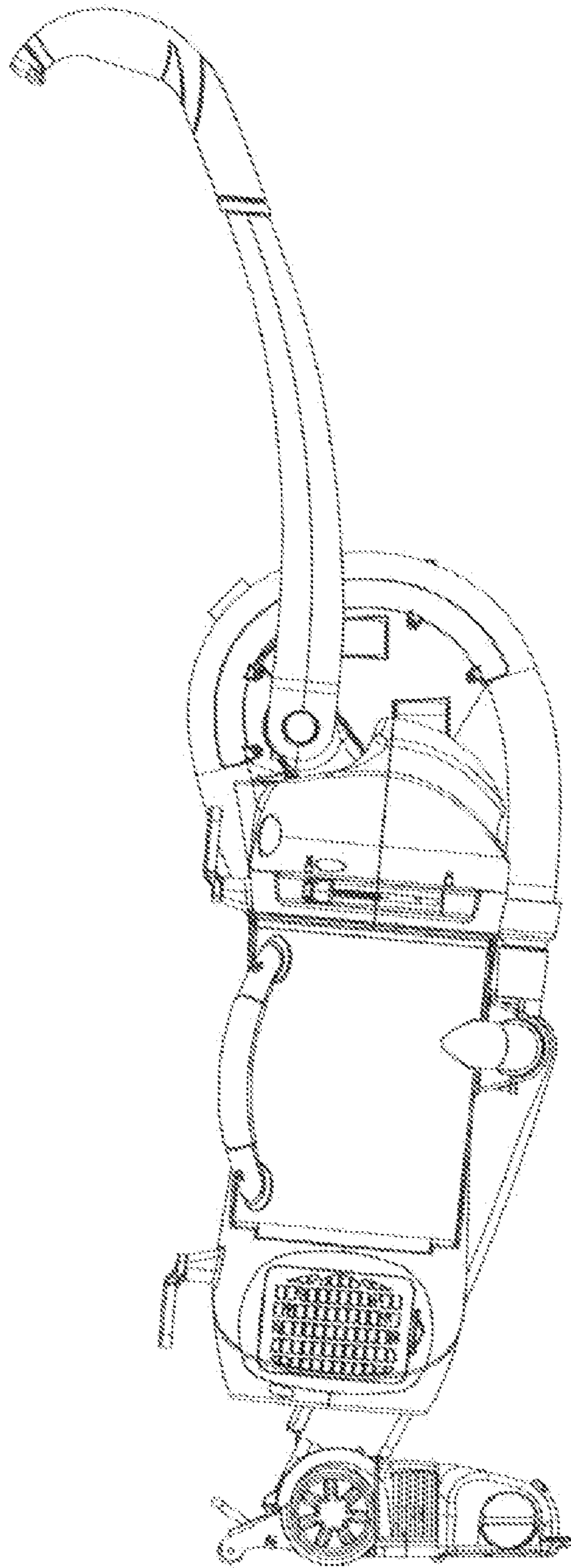


FIG. 6

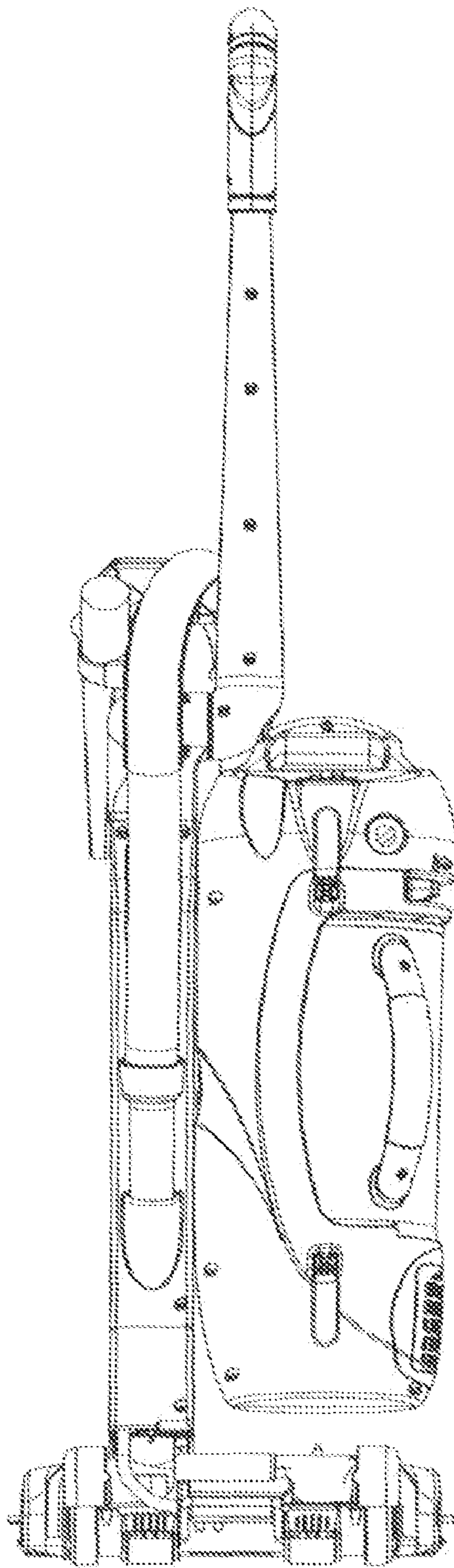


FIG. 7

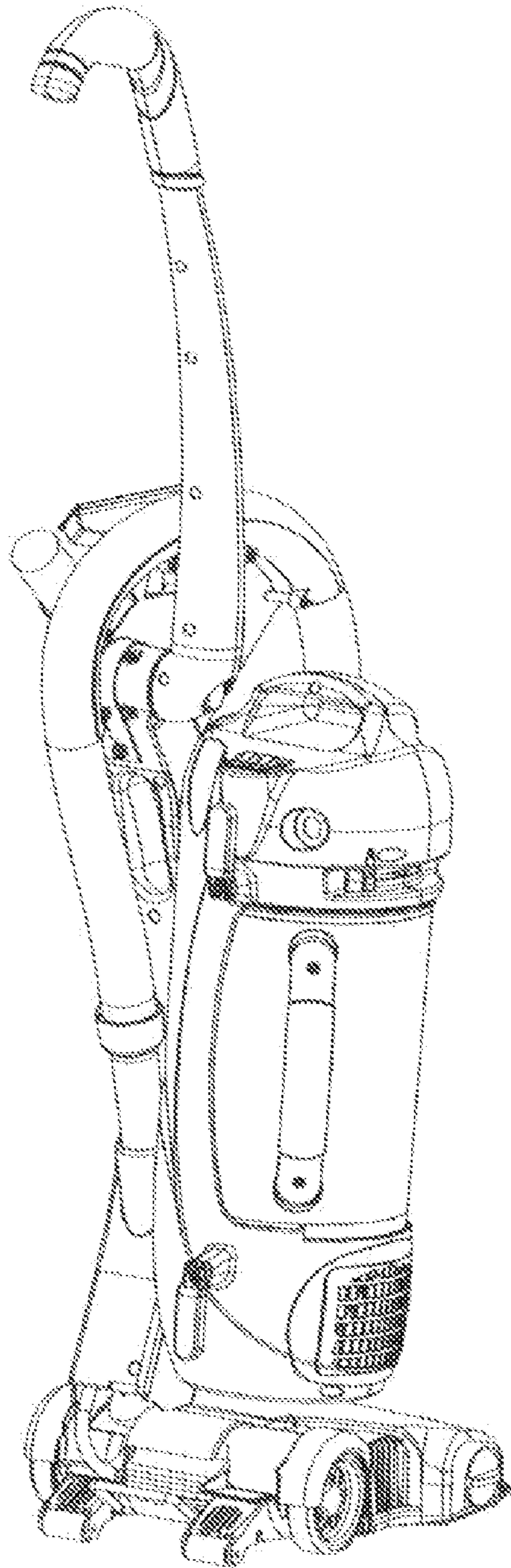


FIG. 8