



US00D614366S

(12) **United States Design Patent**
Shor

(10) **Patent No.:** **US D614,366 S**

(45) **Date of Patent:** **** Apr. 20, 2010**

(54) **WASHING MACHINE**

(75) Inventor: **David Shor**, Forest Hills, NY (US)

(73) Assignee: **LG Electronics Inc.**, Seoul (KR)

(**) Term: **14 Years**

(21) Appl. No.: **29/337,359**

(22) Filed: **May 20, 2009**

(51) **LOC (9) Cl.** **15-05**

(52) **U.S. Cl.** **D32/6**

(58) **Field of Classification Search** D32/1,
D32/5-6, 8, 10; 68/3 R, 5 R, 12.01; 312/31;
34/87-88, 523-524; D23/202, 205; 220/4.12,
220/85 R, 445, 532.2, 565, 567, 675
See application file for complete search history.

(56) **References Cited**

U.S. PATENT DOCUMENTS

D298,873 S *	12/1988	Erickson et al.	D32/5
D582,107 S *	12/2008	Ha et al.	D32/6
D584,865 S *	1/2009	Kim et al.	D32/6
D585,165 S *	1/2009	Kim et al.	D32/6
D589,215 S *	3/2009	Cho et al.	D32/6

* cited by examiner

Primary Examiner—T. Chase Nelson

Assistant Examiner—Kathleen M Sims

(74) *Attorney, Agent, or Firm*—Morgan, Lewis & Bockius LLP

(57) **CLAIM**

The ornamental design for a washing machine, as shown and described.

DESCRIPTION

FIG. 1 is a perspective view of a washing machine showing my new design;

FIG. 2 is a front view thereof;

FIG. 3 is a rear view thereof;

FIG. 4 is a left side view thereof;

FIG. 5 is a right side view thereof;

FIG. 6 is a top plan view thereof; and,

FIG. 7 is a bottom plan view thereof.

The broken line showing of bottom details in FIG. 7 is included for the purpose of showing portions of the washing machine that form no part of the claimed design.

1 Claim, 7 Drawing Sheets

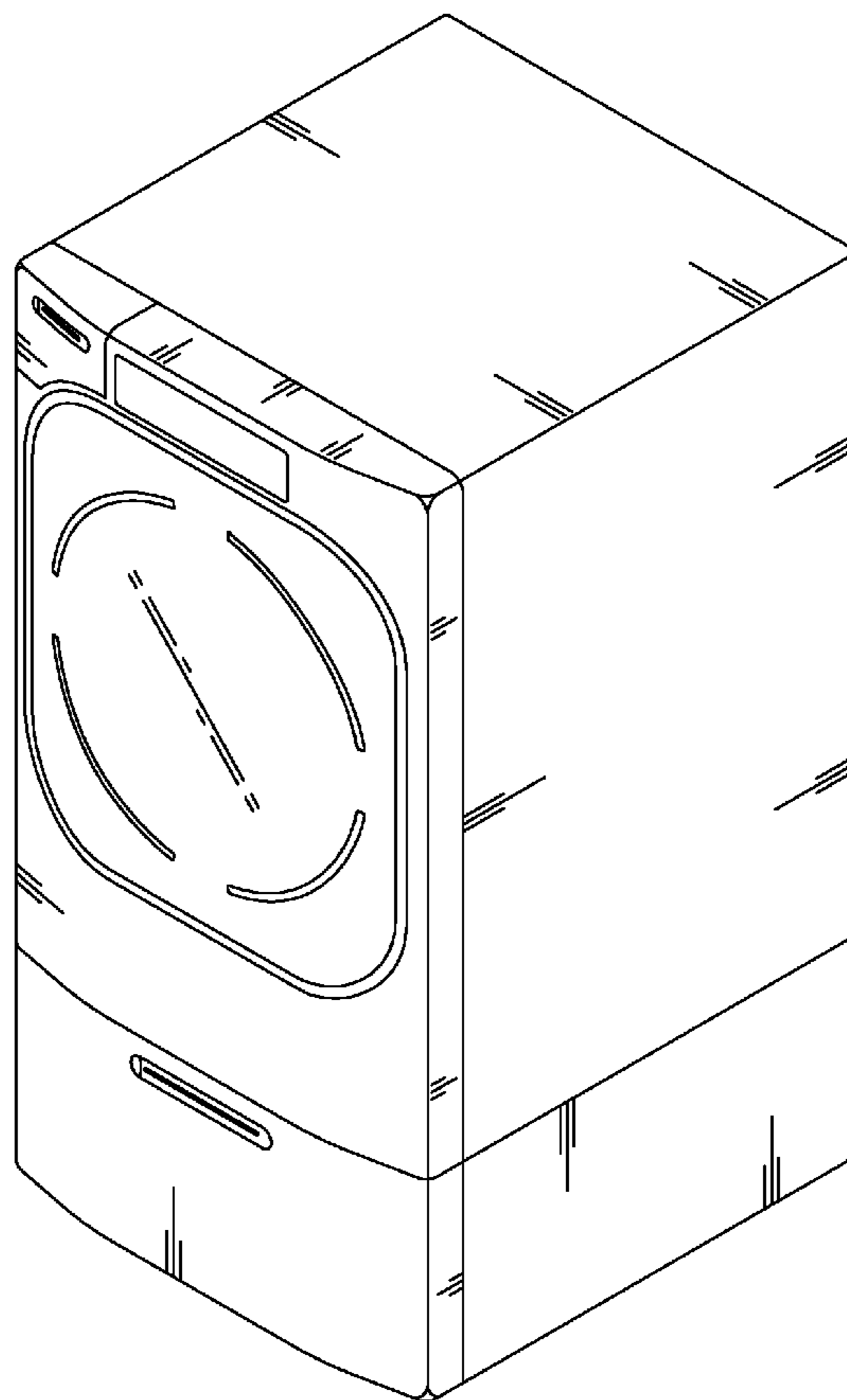


FIG. 1

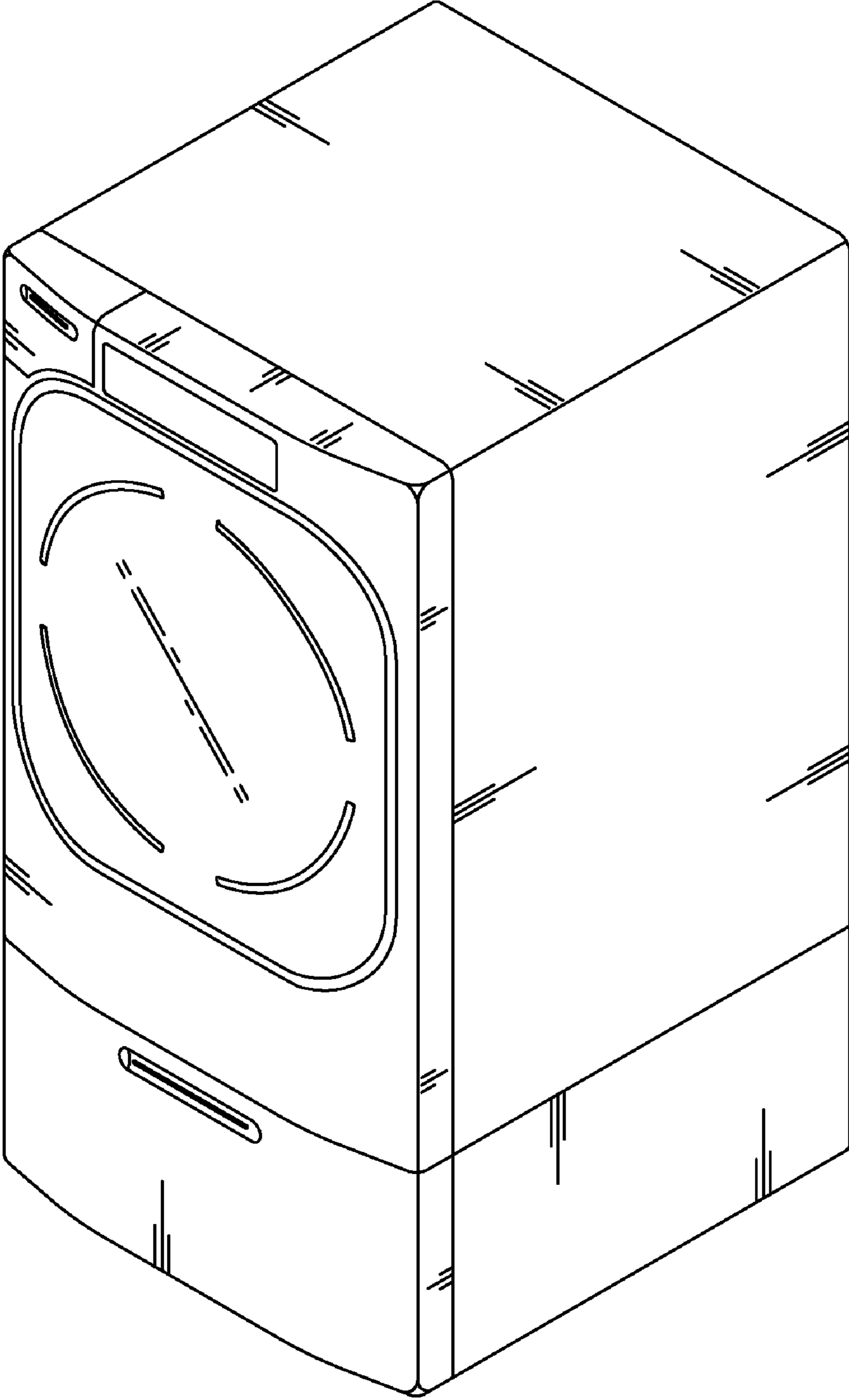


FIG. 2

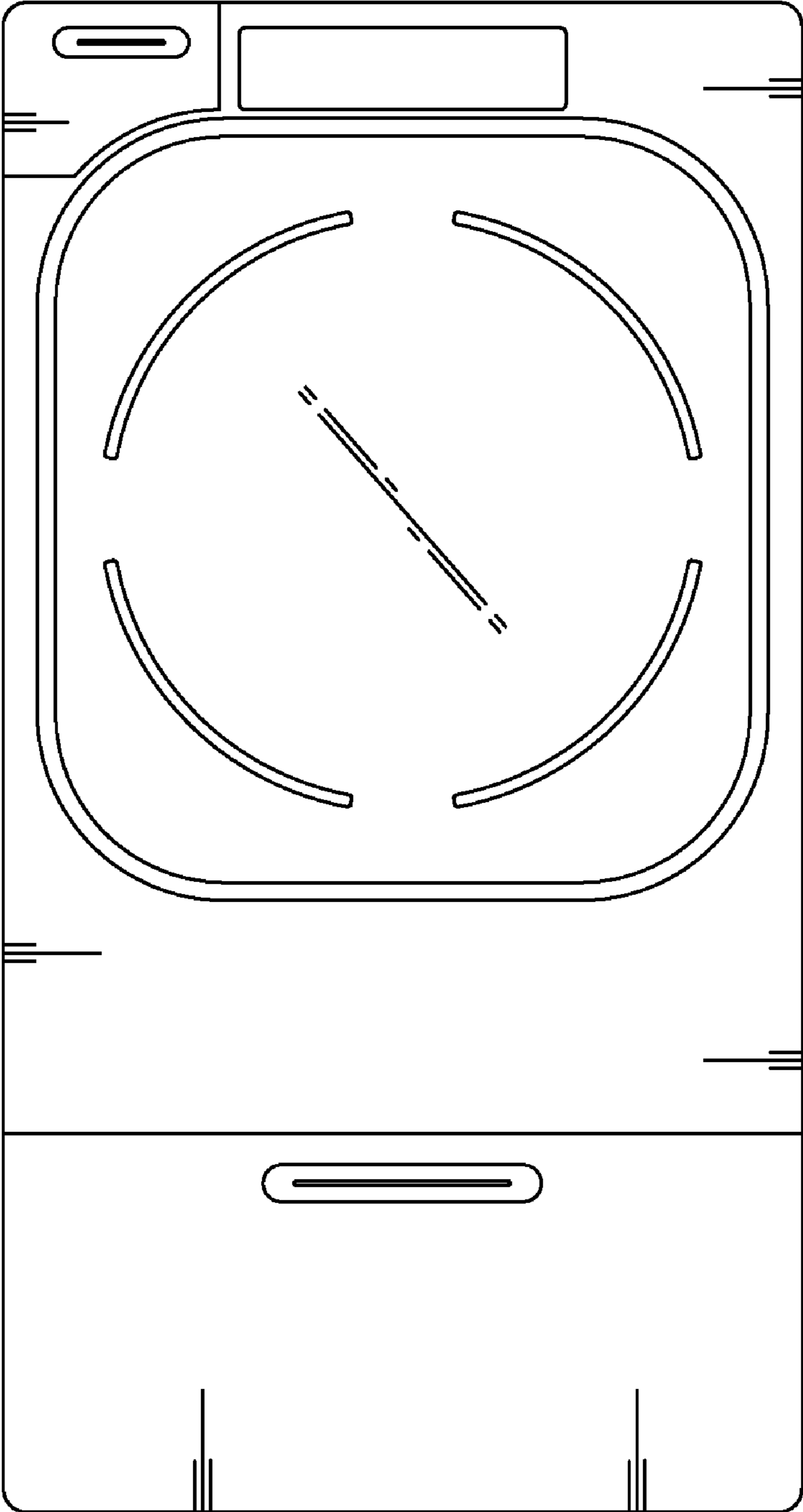


FIG. 3

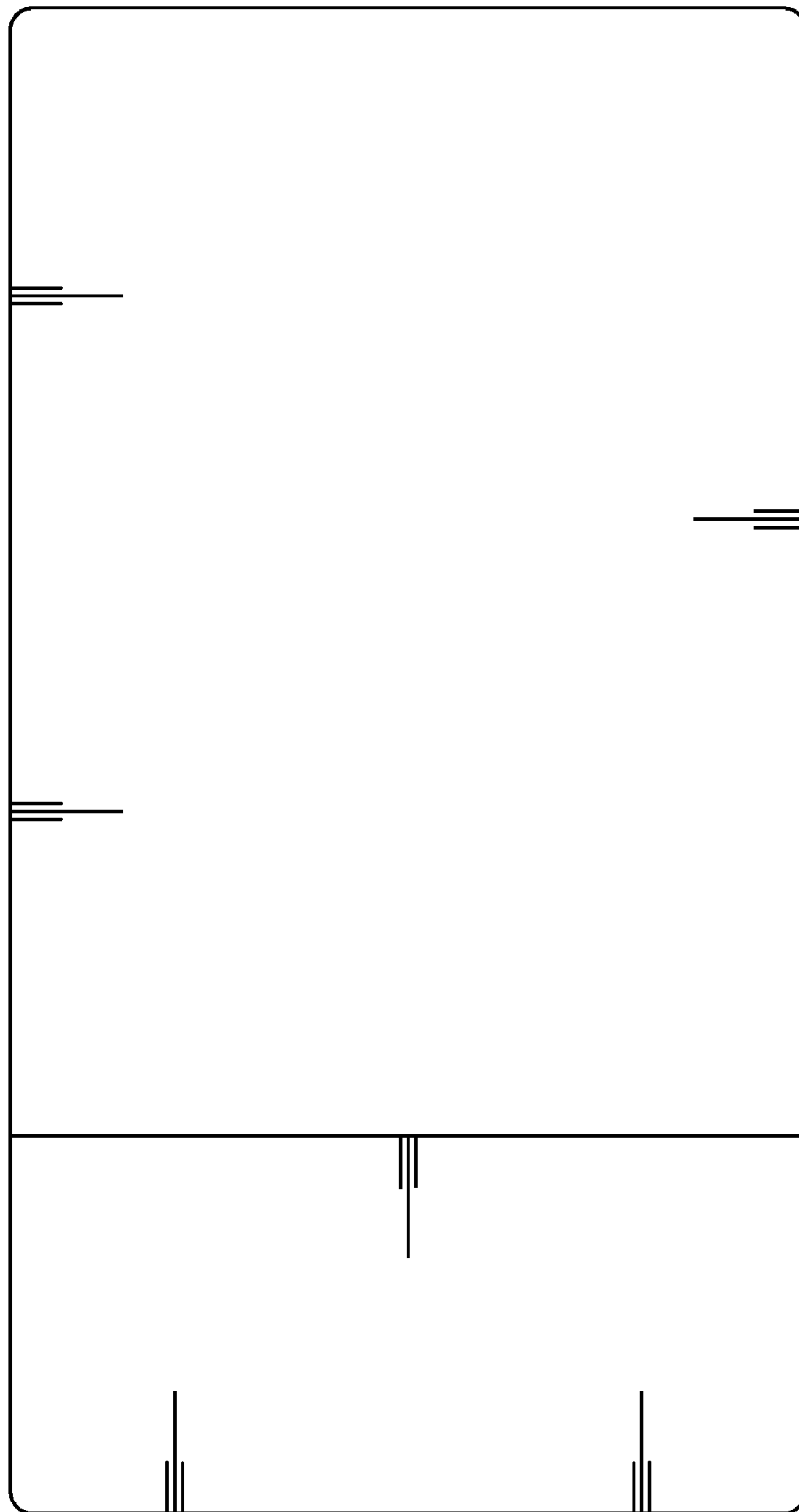


FIG. 4

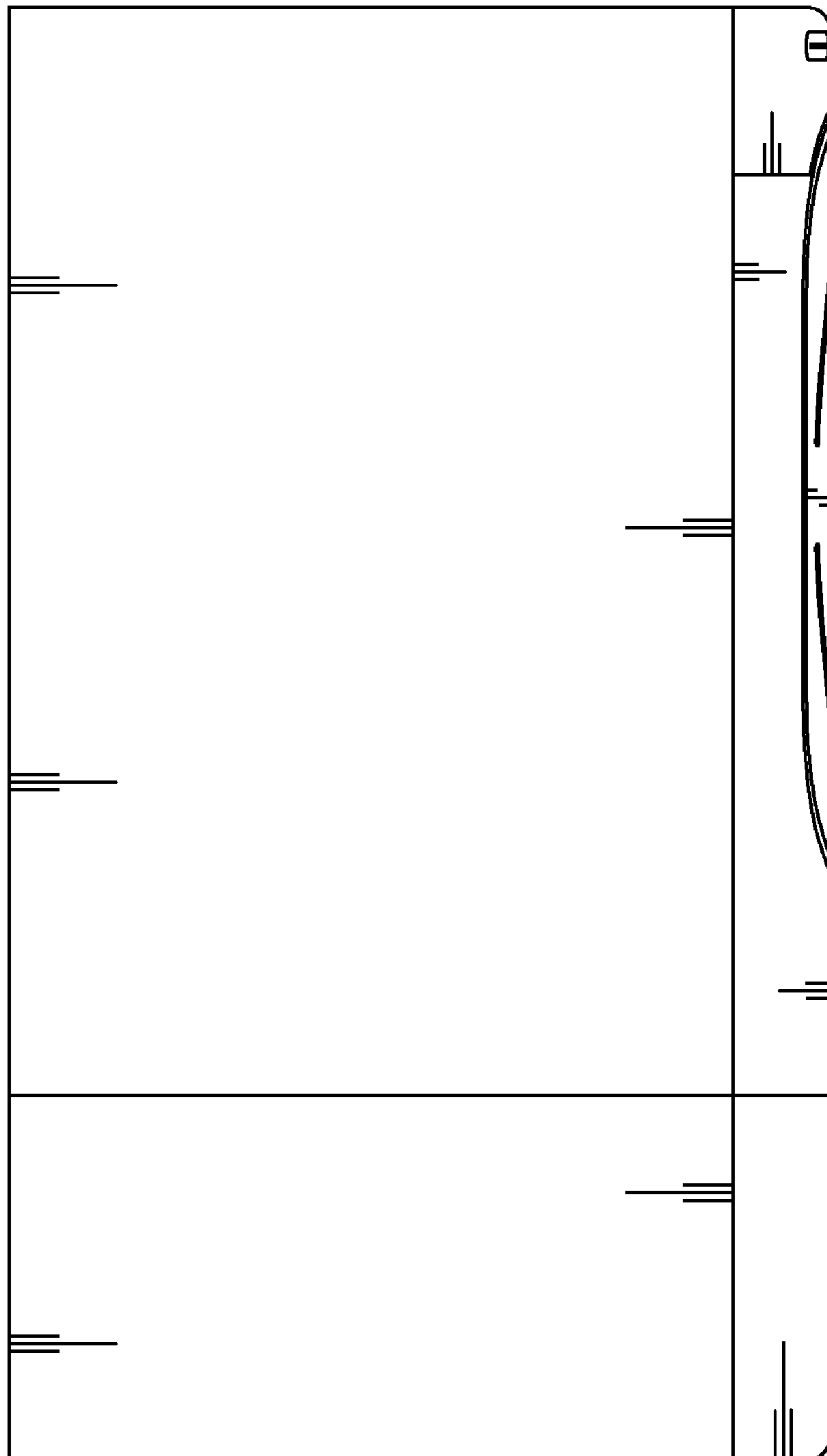


FIG. 5

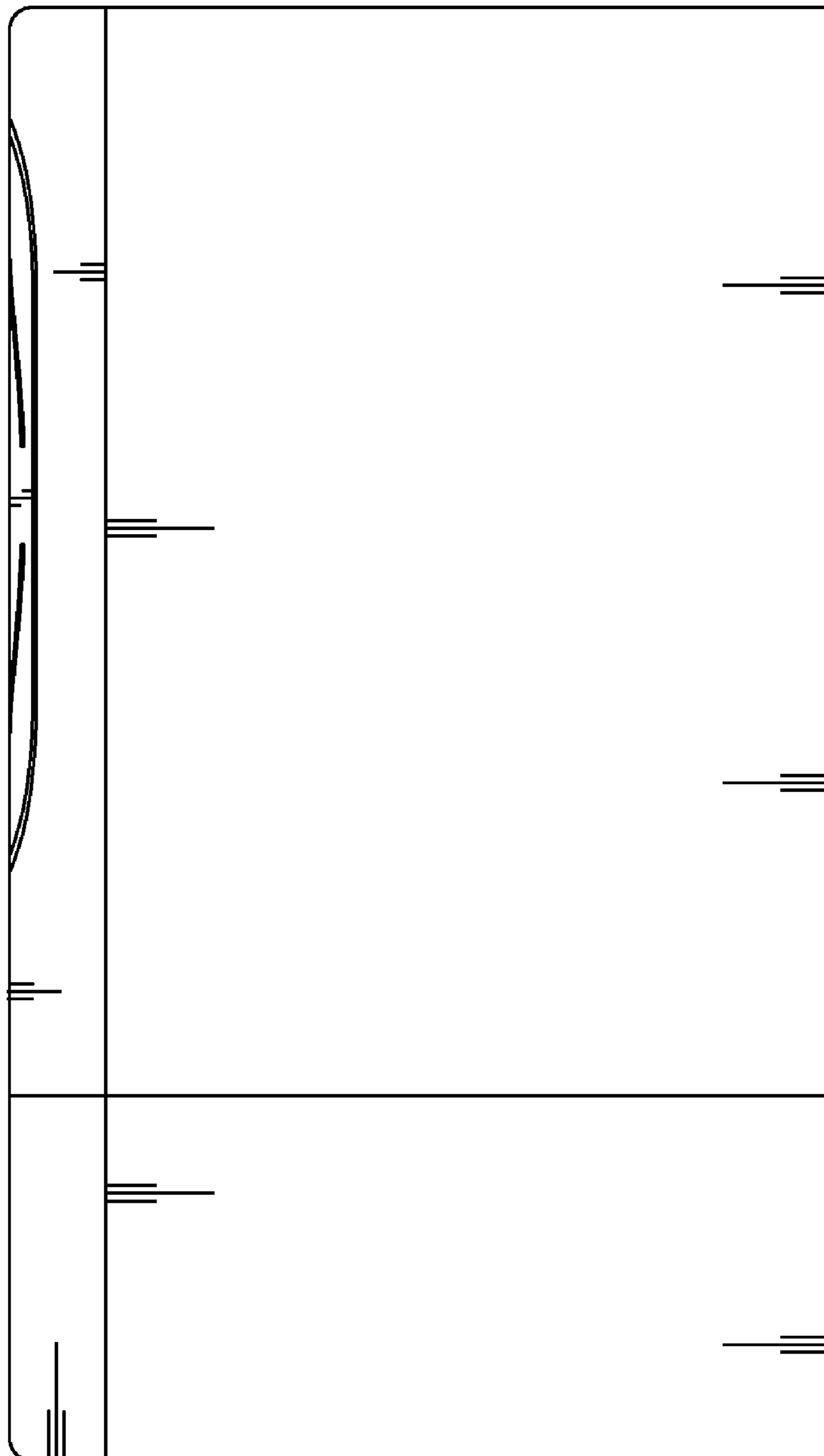


FIG. 6

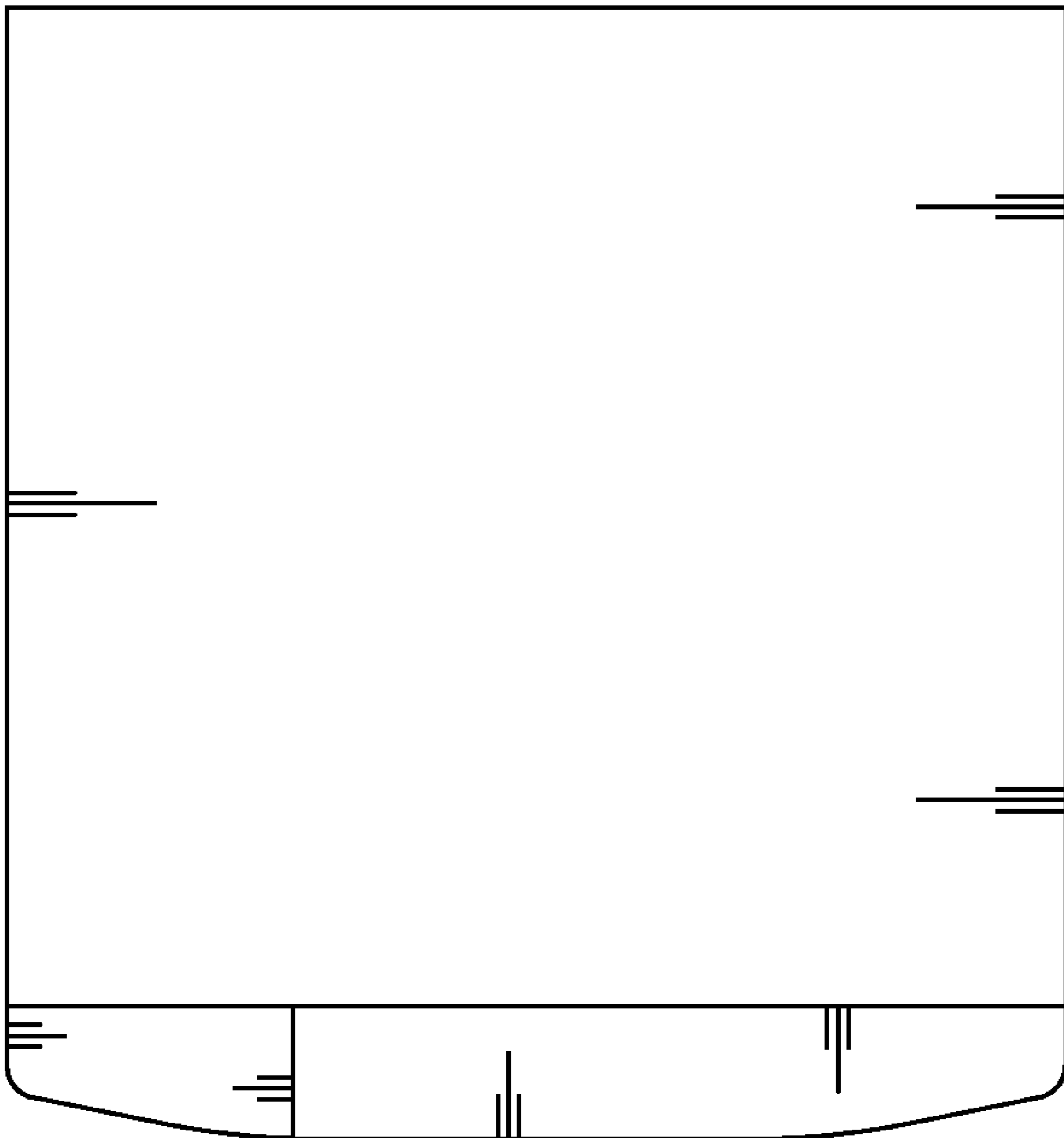


FIG. 7

