



US00D614358S

(12) **United States Design Patent**  
**Theobald**

(10) **Patent No.:** **US D614,358 S**

(45) **Date of Patent:** **\*\* Apr. 20, 2010**

(54) **SAFETY DEVICE FOR CYCLISTS**

(75) Inventor: **Simon Theobald**, Croxley Green (GB)

(73) Assignee: **Pedalite International Ltd.**,  
Hertfordshire (GB)

(\*\*) Term: **14 Years**

(21) Appl. No.: **29/339,318**

(22) Filed: **Jun. 29, 2009**

(30) **Foreign Application Priority Data**

Dec. 29, 2008 (EM) ..... 001065098-002

(51) **LOC (9) Cl.** ..... **29-21**

(52) **U.S. Cl.** ..... **D29/101.3**

(58) **Field of Classification Search** ..... D29/100,  
D29/101.1, 101.2, 101.3, 101.4, 101.5; 182/3,  
182/4; 244/151 R; D24/190; 224/160, 240,  
224/262, 637, 660, 662, 664, 666, 667; D2/629,  
D2/634, 637; D21/683; D3/215, 216, 217,  
D3/218, 219-230; 602/5, 6, 19; 2/44, 311,  
2/321, 464, 908, 913

See application file for complete search history.

(56) **References Cited**

**U.S. PATENT DOCUMENTS**

D454,986 S \* 3/2002 Casebolt et al. .... D29/101.1

D501,582 S \* 2/2005 Yang ..... D29/101.3

D509,627 S \* 9/2005 Willows et al. .... D29/101.2

D513,647 S \* 1/2006 Farshid ..... D29/100

D555,289 S \* 11/2007 Escarcega ..... D29/101.4

\* cited by examiner

*Primary Examiner*—Susan Bennett Hattan

*Assistant Examiner*—Barbara B Lohr

(74) *Attorney, Agent, or Firm*—Clifford Kraft

(57) **CLAIM**

The ornamental design for a safety device for cyclists, as shown and described.

**DESCRIPTION**

FIG. 1 is a front view of a first embodiment of the invention.

FIG. 2 is a back view thereof.

FIG. 3 is a side view thereof.

FIG. 4 is a top view thereof.

FIG. 5 is a bottom view thereof; and,

FIG. 6 is a perspective view thereof.

**1 Claim, 3 Drawing Sheets**

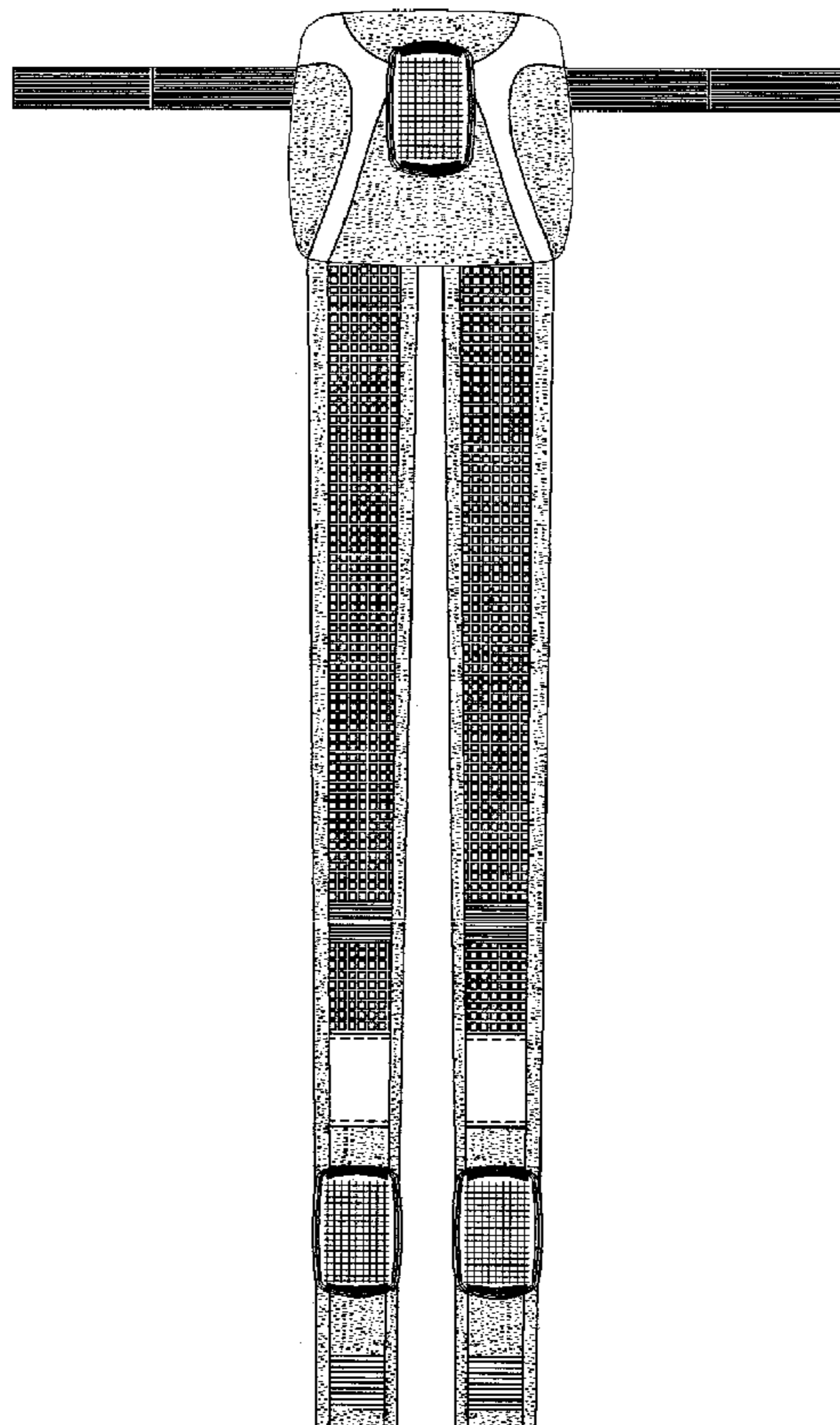


Fig. 1

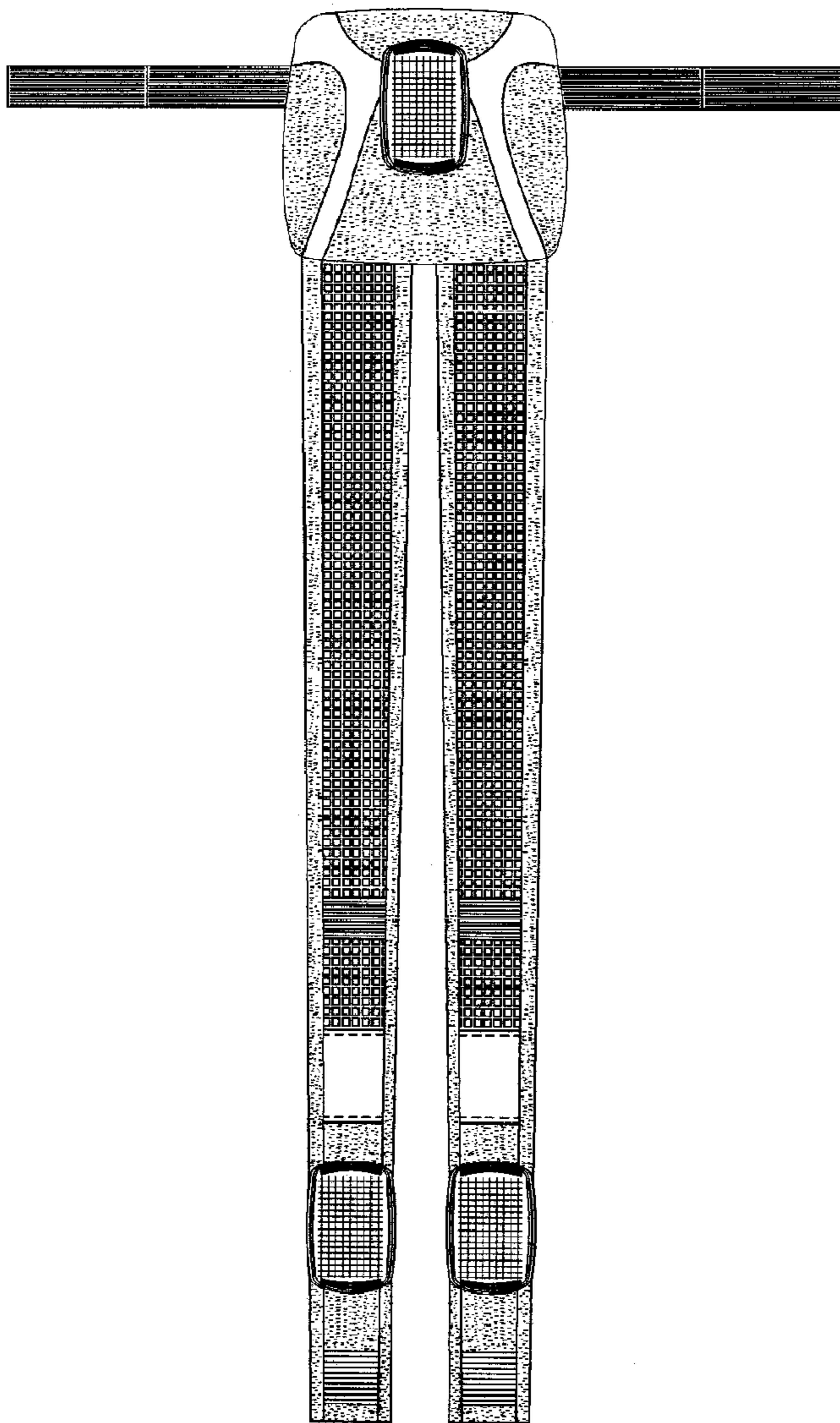
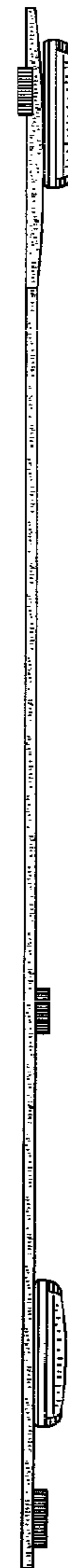


Fig. 3



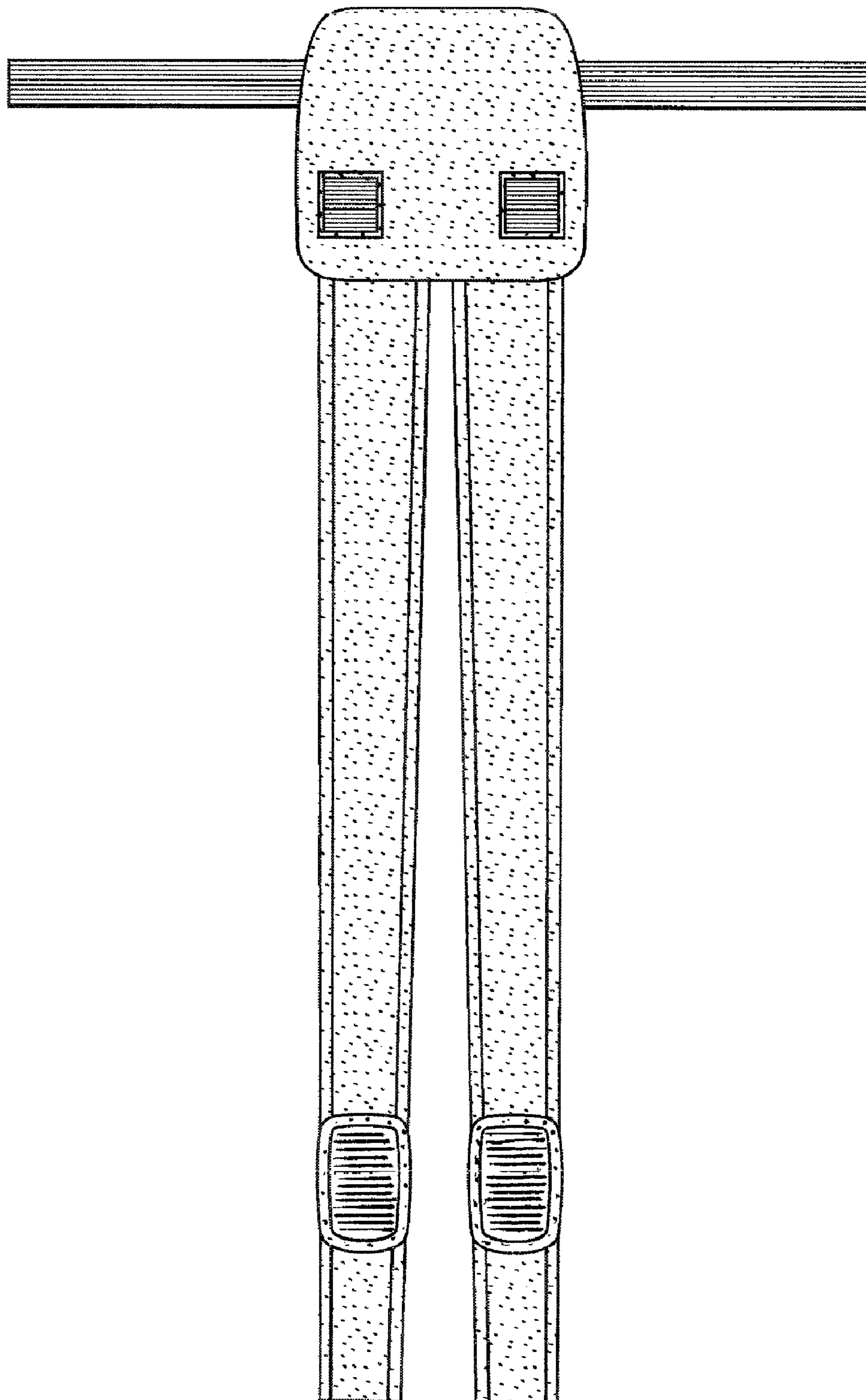


Fig. 2

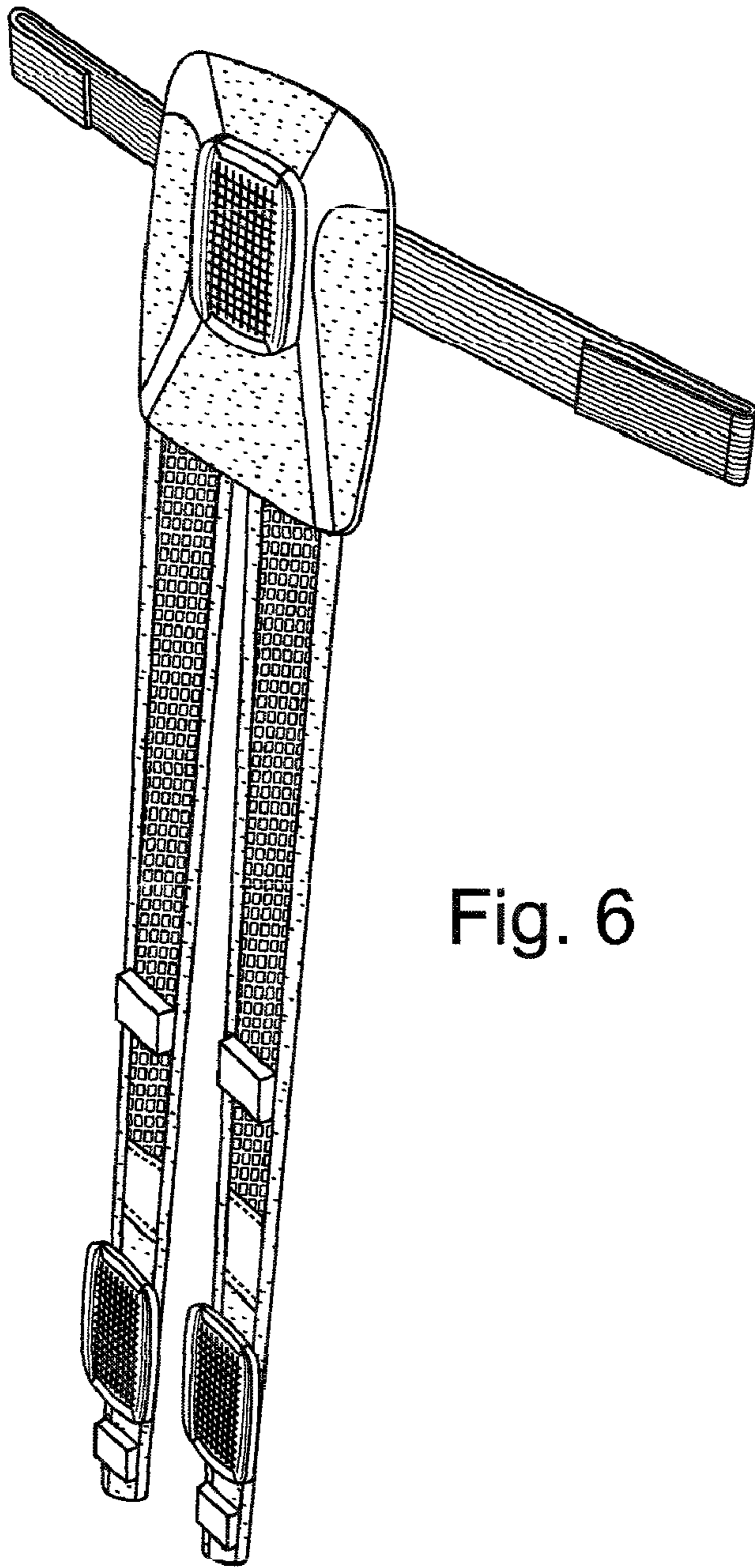


Fig. 6

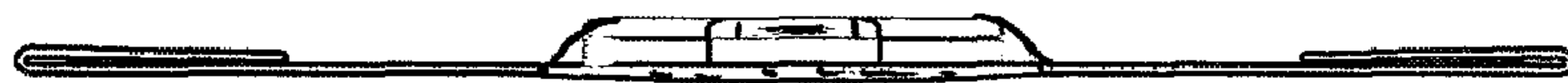


Fig. 4



Fig. 5