



US00D614354S

(12) **United States Design Patent**
Christie et al.

(10) **Patent No.:** **US D614,354 S**
(45) **Date of Patent:** **** Apr. 20, 2010**

(54) **SHAVING RAZOR HANDLE**

(75) Inventors: **Vanessa Christie**, Boston, MA (US);
Brian Patrick Watson, Albion, RI (US);
Christopher Ramm, North Attleboro,
MA (US); **Soojung Ham**, Providence,
RI (US)

(73) Assignee: **The Gillette Company**, Boston, MA
(US)

(**) Term: **14 Years**

(21) Appl. No.: **29/337,058**

(22) Filed: **May 14, 2009**

(51) **LOC (9) Cl.** **28-03**

(52) **U.S. Cl.** **D28/48**

(58) **Field of Classification Search** 30/32,
30/34.05, 34.1-34.2, 41, 44-46, 47-51, 57-58,
30/77-84, 526-536; D28/44-49
See application file for complete search history.

(56) **References Cited**

U.S. PATENT DOCUMENTS

D250,130 S	10/1978	Douglas	
D253,726 S	12/1979	Schuman et al.	
D260,303 S	8/1981	Wordtmann	
D425,250 S	5/2000	Gray	
D495,828 S *	9/2004	Ham et al.	D28/48
D533,964 S	12/2006	Ham	
D558,923 S	1/2008	Watson et al.	

D563,047 S *	2/2008	Ramm et al.	D28/48
D587,403 S *	2/2009	Wonderley	D28/46
D589,210 S *	3/2009	Wonderley et al.	D28/48
D603,560 S *	11/2009	Micinilio	D28/48
D604,012 S *	11/2009	Jung	D28/46

* cited by examiner

Primary Examiner—Jennifer Rivard

(74) *Attorney, Agent, or Firm*—John M. Lipchitz; Kevin C. Johnson; Steven W. Miller

(57) **CLAIM**

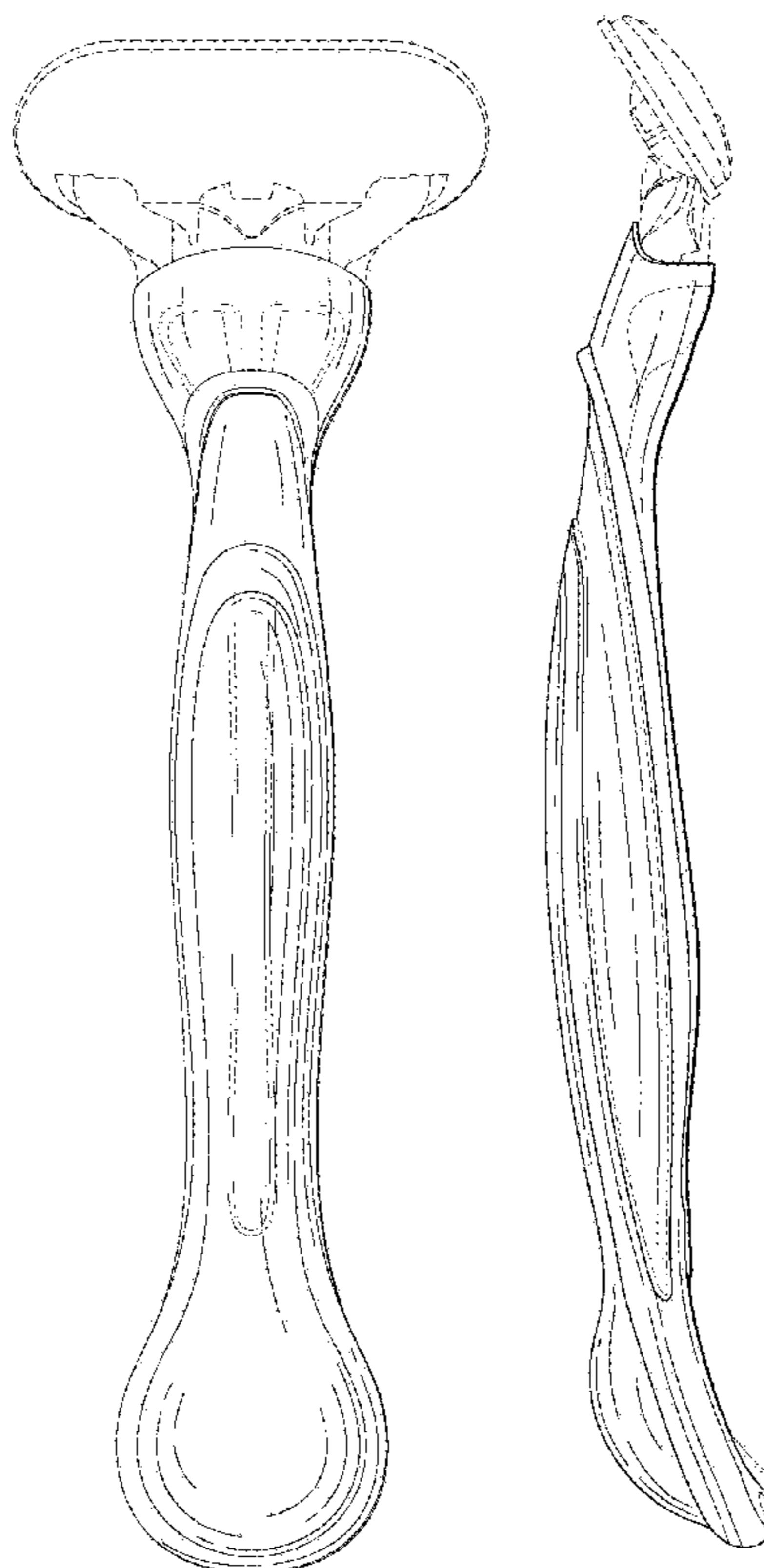
The ornamental design for the shaving razor handle, as shown and described.

DESCRIPTION

FIG. 1 is a perspective view of a shaving razor handle showing our new design;
FIG. 2 is a top plan view thereof;
FIG. 3 is a bottom view thereof;
FIG. 4 is a right view thereof;
FIG. 5 is a left view thereof;
FIG. 6 is a front thereof; and,
FIG. 7 is a rear view thereof.

The broken lines are directed to the environment and are for illustrative purposes only and form no part of the claimed design.

1 Claim, 4 Drawing Sheets



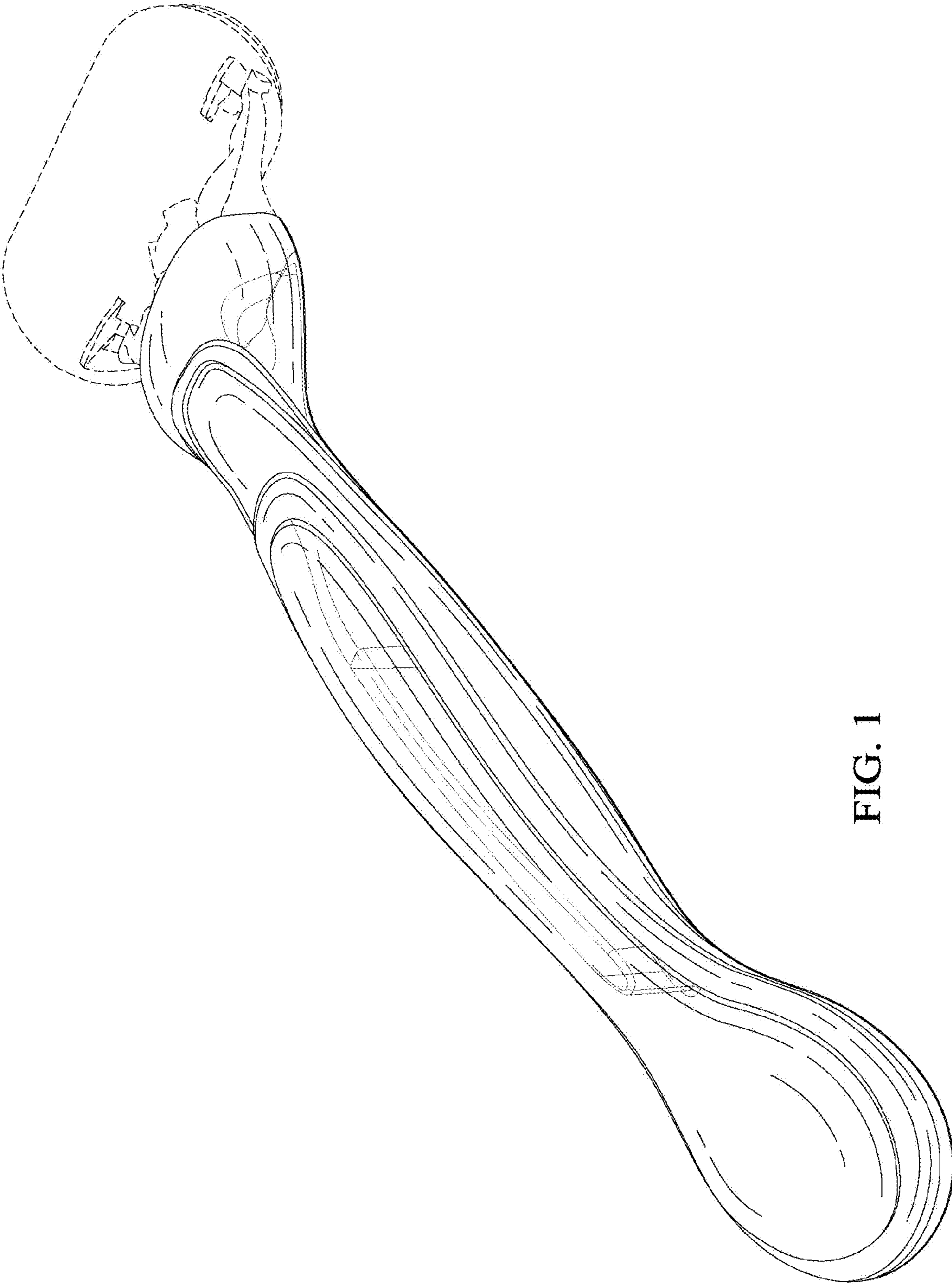


FIG. 1

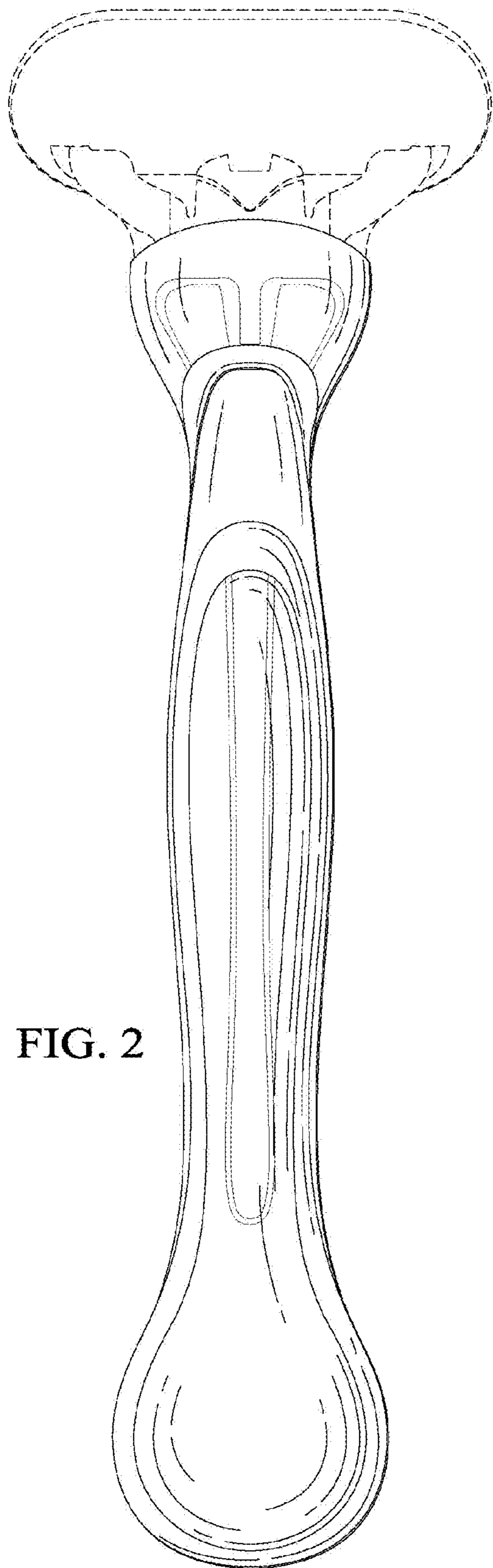


FIG. 2

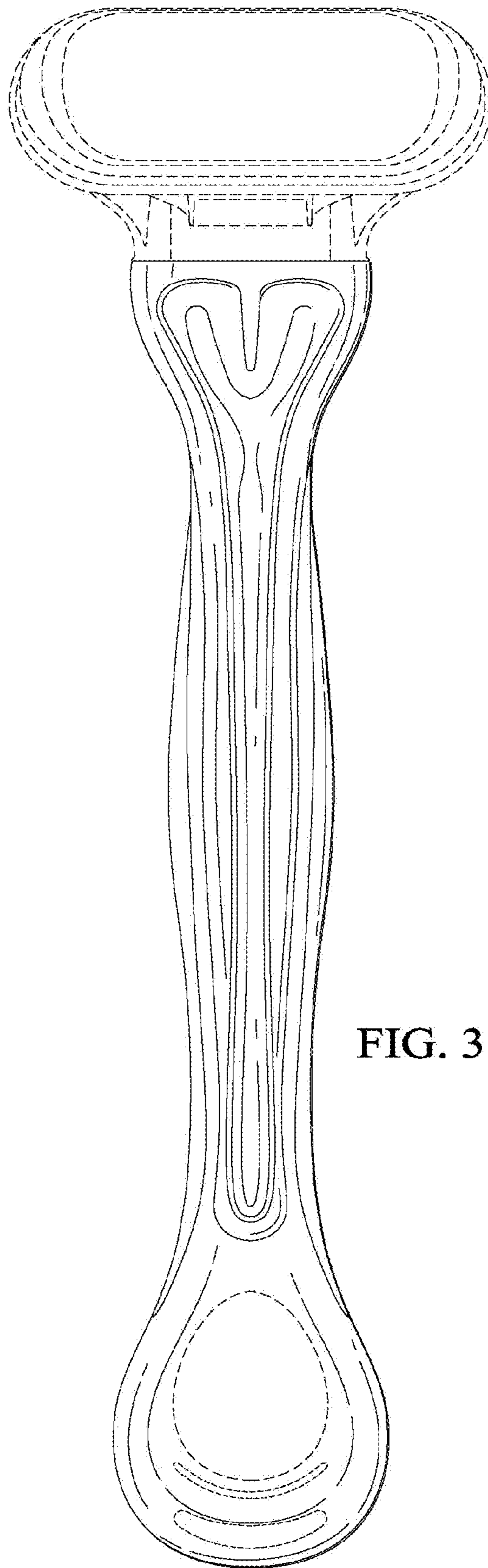
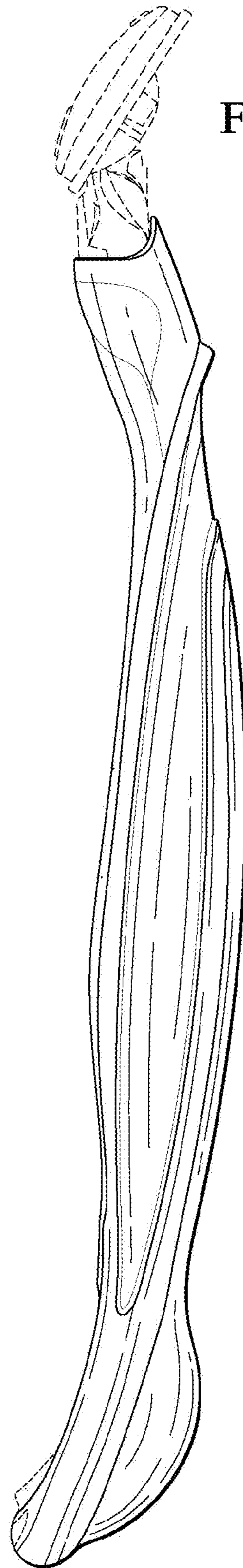


FIG. 3

FIG. 4



FIG. 5



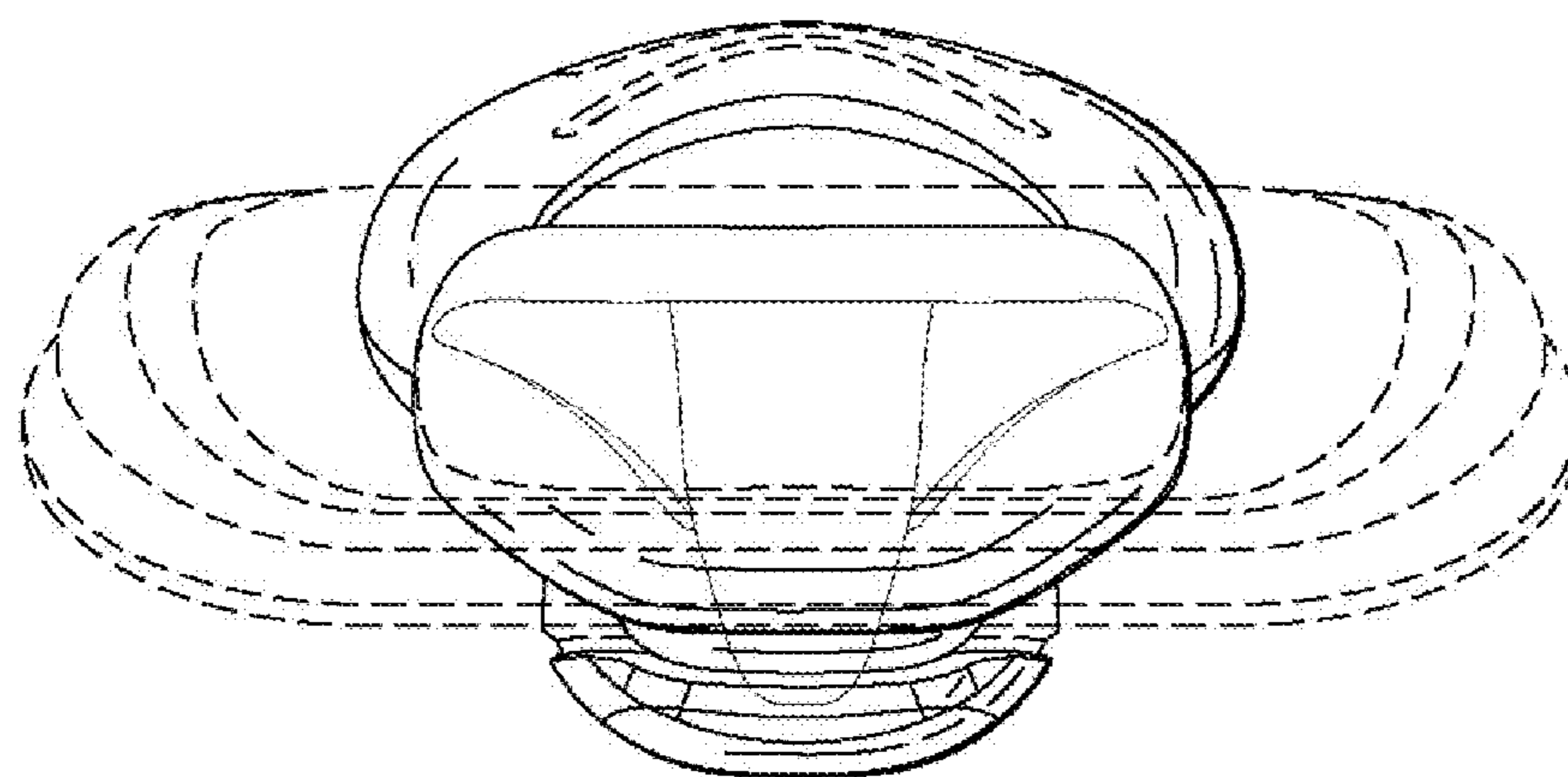


FIG. 6

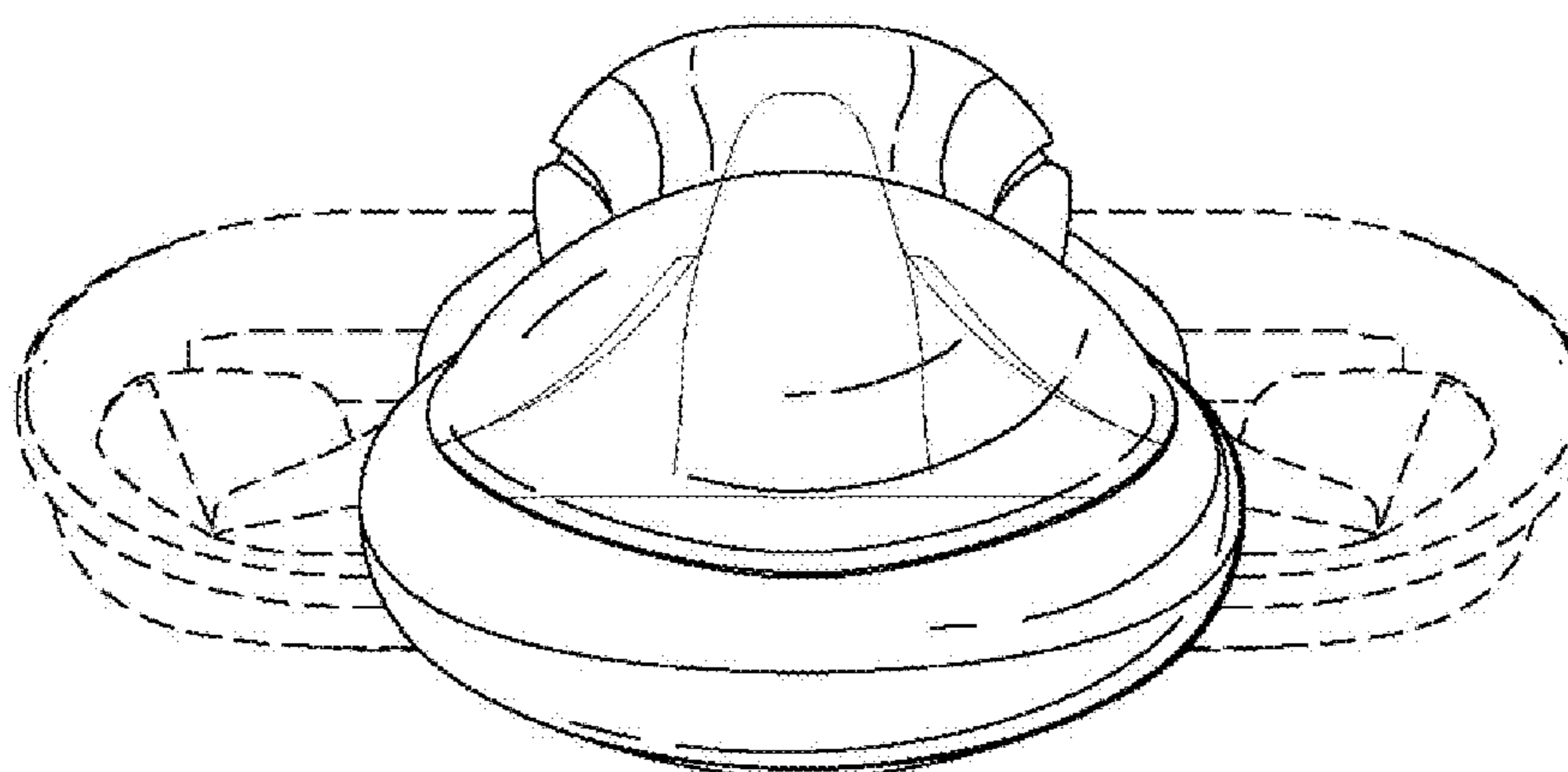


FIG. 7