



US00D614353S

(12) **United States Design Patent**
Christie et al.

(10) **Patent No.:** **US D614,353 S**
(45) **Date of Patent:** **** Apr. 20, 2010**

(54) **RAZOR HANDLE**

(75) Inventors: **Vanessa Christie**, Boston, MA (US);
Christopher Ramm, North Attleboro,
MA (US)

(73) Assignee: **The Gillette Company**, Boston, MA
(US)

(**) Term: **14 Years**

(21) Appl. No.: **29/337,045**

(22) Filed: **May 14, 2009**

(51) **LOC (9) Cl.** **28-03**

(52) **U.S. Cl.** **D28/48**

(58) **Field of Classification Search** 30/32,
30/34.05, 34.1-34.2, 41, 44-46, 47-51, 57-58,
30/77-84, 526-536, 537; D28/44-49
See application file for complete search history.

(56) **References Cited**

U.S. PATENT DOCUMENTS

D318,142 S	7/1991	Falchi	
D364,940 S	12/1995	Shurtleff	
D425,250 S	5/2000	Gray	
D491,690 S	6/2004	Yamashita	
D495,828 S *	9/2004	Ham et al.	D28/48
D532,929 S	11/2006	Weltmann	
D533,964 S	12/2006	Ham	
D563,047 S *	2/2008	Ramm et al.	D28/48
D587,403 S *	2/2009	Wonderley	D28/46
D589,210 S *	3/2009	Wonderley et al.	D28/48
D603,560 S *	11/2009	Micinilio	D28/48
D604,012 S *	11/2009	Jung	D28/46

* cited by examiner

Primary Examiner—Jennifer Rivard

(74) *Attorney, Agent, or Firm*—Joanne N. Pappas; Kevin C. Johnson; Steven W. Miller

(57) **CLAIM**

The ornamental design for a razor handle, as shown and described.

DESCRIPTION

FIG. 1 is a perspective view of the first embodiment of the present invention;

FIG. 2 is a front view of the razor handle of FIG. 1;

FIG. 3 is a back view of the razor handle of FIG. 1;

FIG. 4 is a left side view of the razor handle of FIG. 1;

FIG. 5 is a right side view of the razor handle of FIG. 1;

FIG. 6 is a top view of the razor handle of FIG. 1;

FIG. 7 is a bottom view of the razor handle of FIG. 1;

FIG. 8 is a perspective view of the second embodiment of the present invention;

FIG. 9 is a front view of the razor handle of FIG. 8;

FIG. 10 is a back view of the razor handle of FIG. 8;

FIG. 11 is a left side view of the razor handle of FIG. 8;

FIG. 12 is a right side view of the razor handle of FIG. 8;

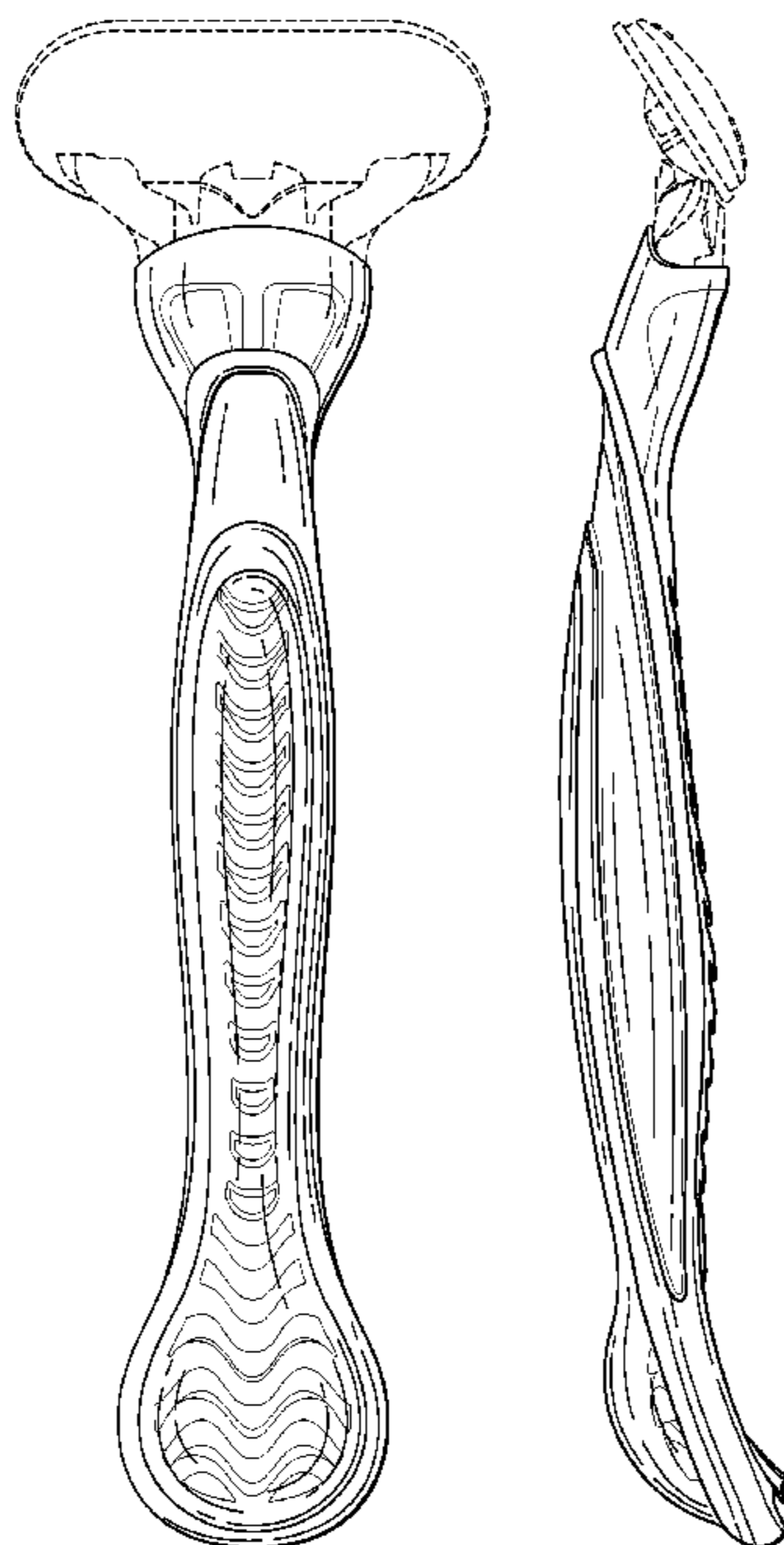
FIG. 13 is a top view of a razor handle the razor handle of FIG. 8; and,

FIG. 14 is a bottom view of the razor handle of FIG. 8.

The broken line disclosure is for illustrative purposes only and does not constitute a part of the claimed design.

In FIGS. 8-14, the stippled shading of varying density represents color contrast.

1 Claim, 8 Drawing Sheets



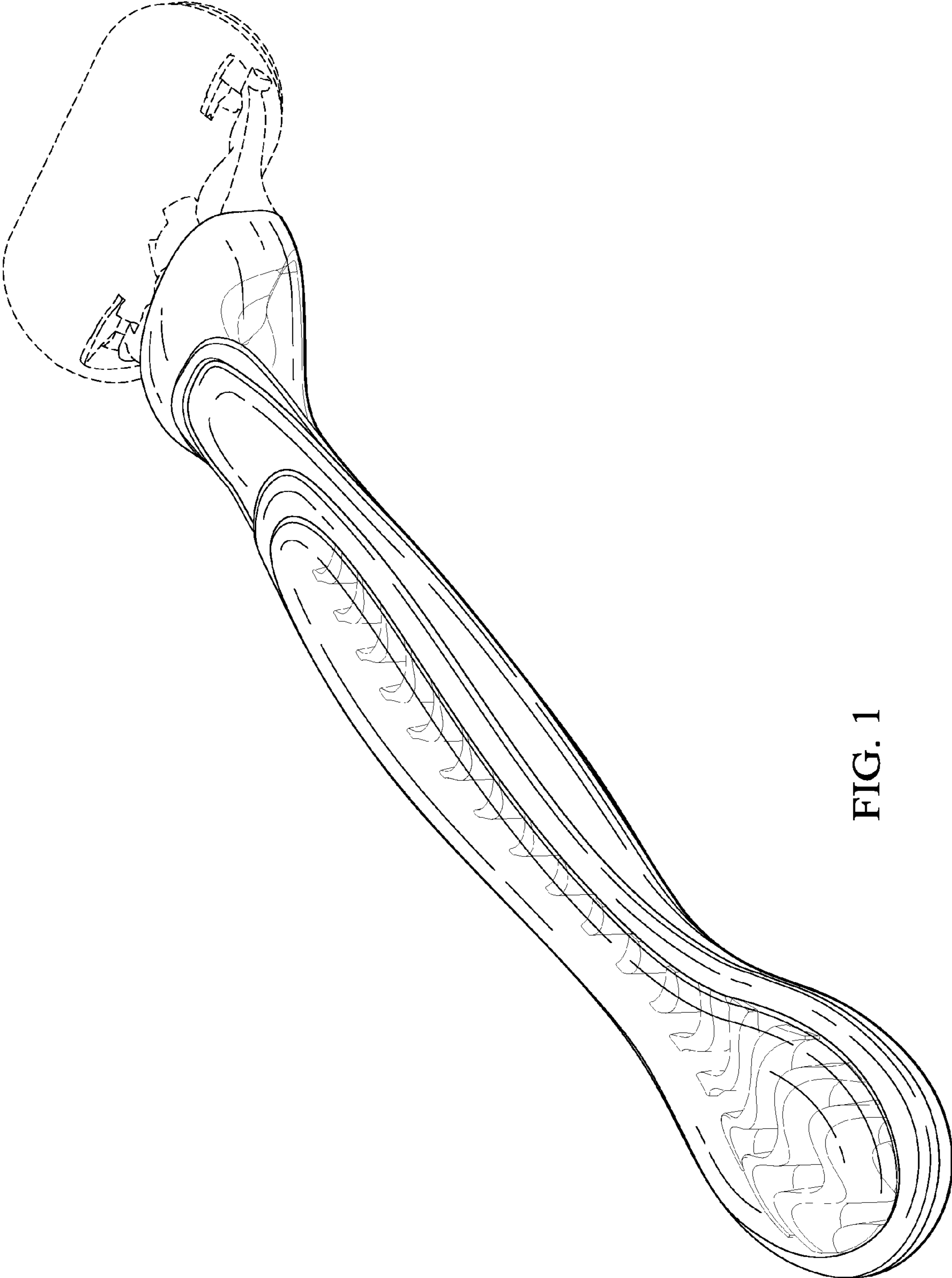


FIG. 1

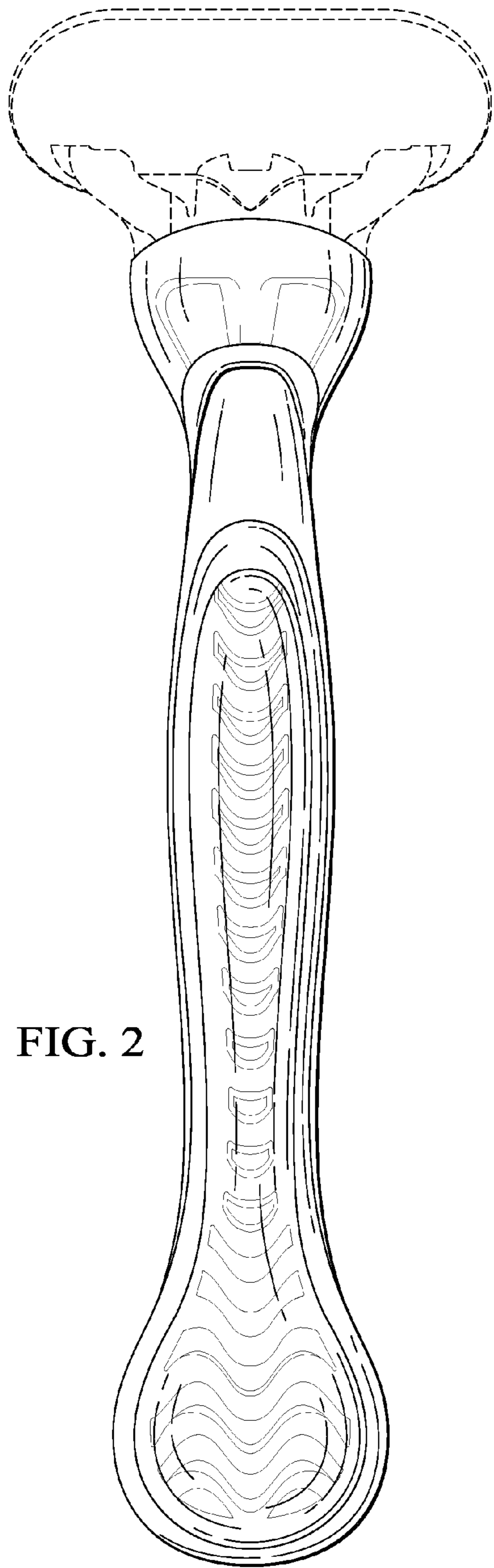


FIG. 2

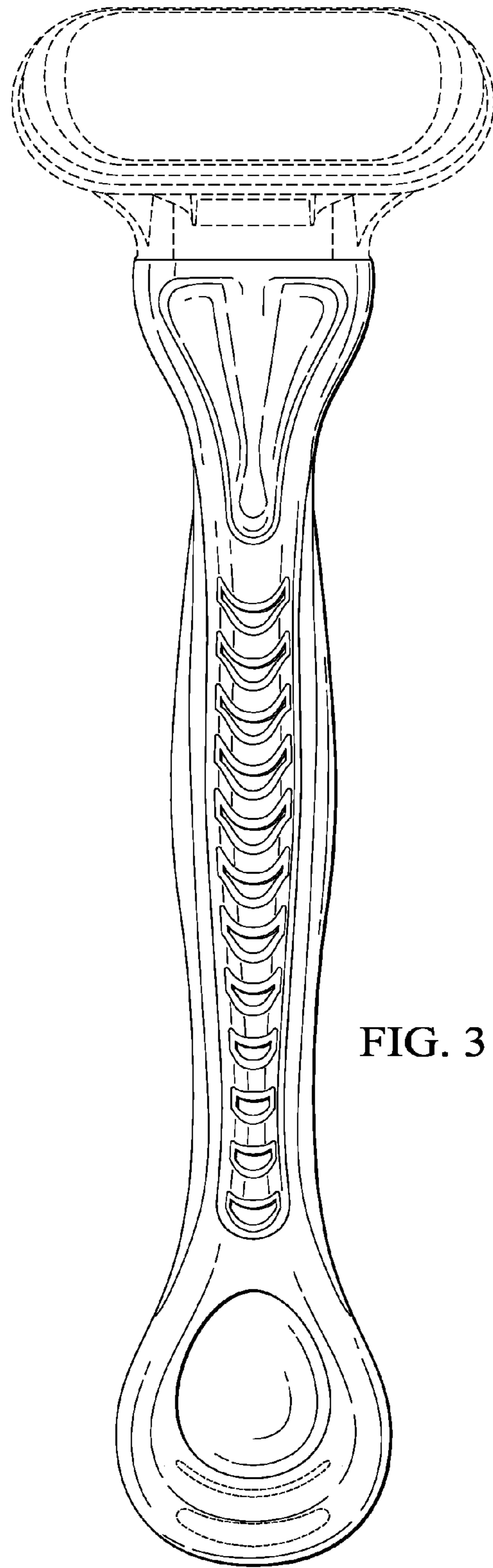


FIG. 3

FIG. 4



FIG. 5



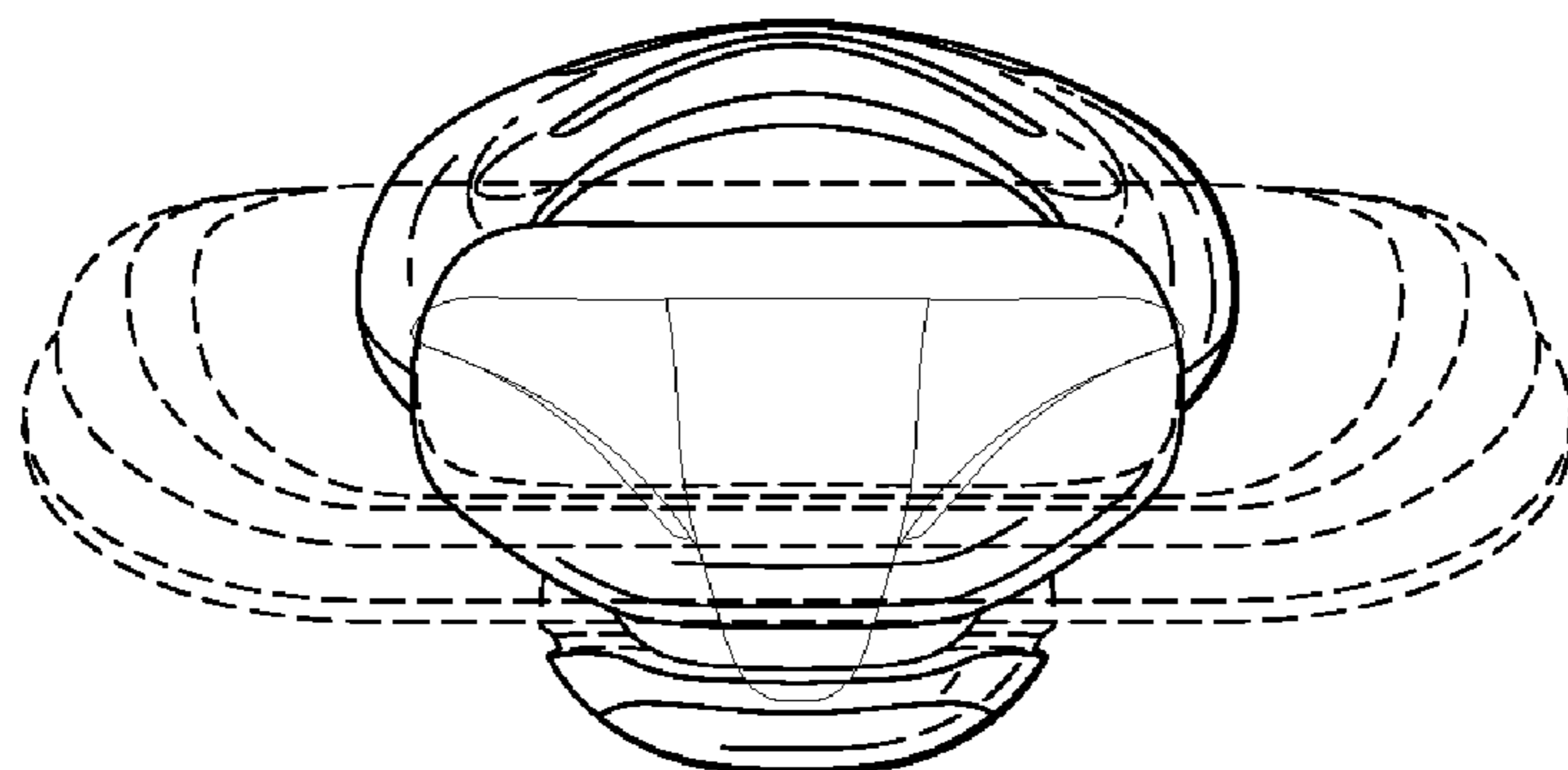


FIG. 6

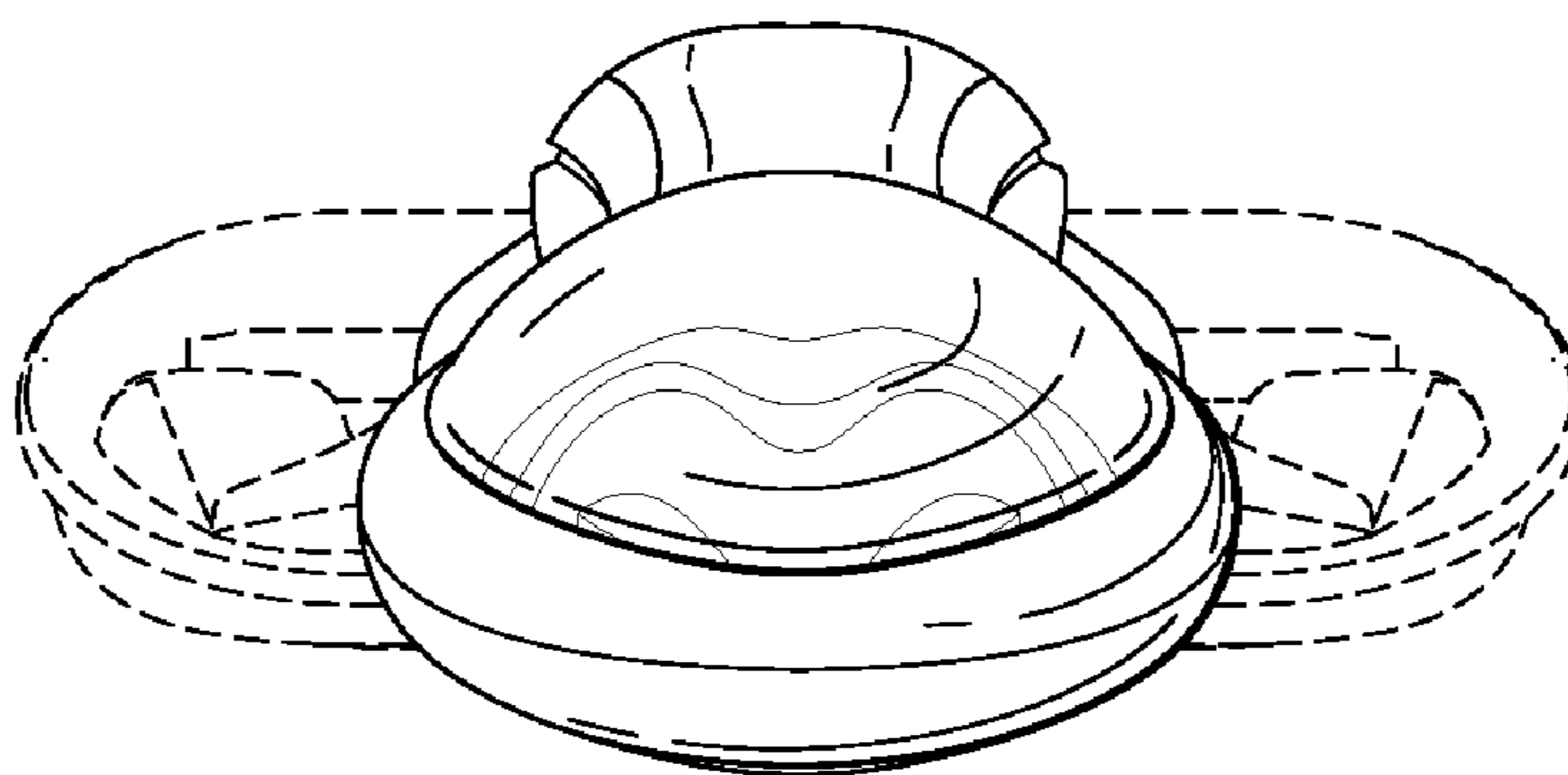


FIG. 7

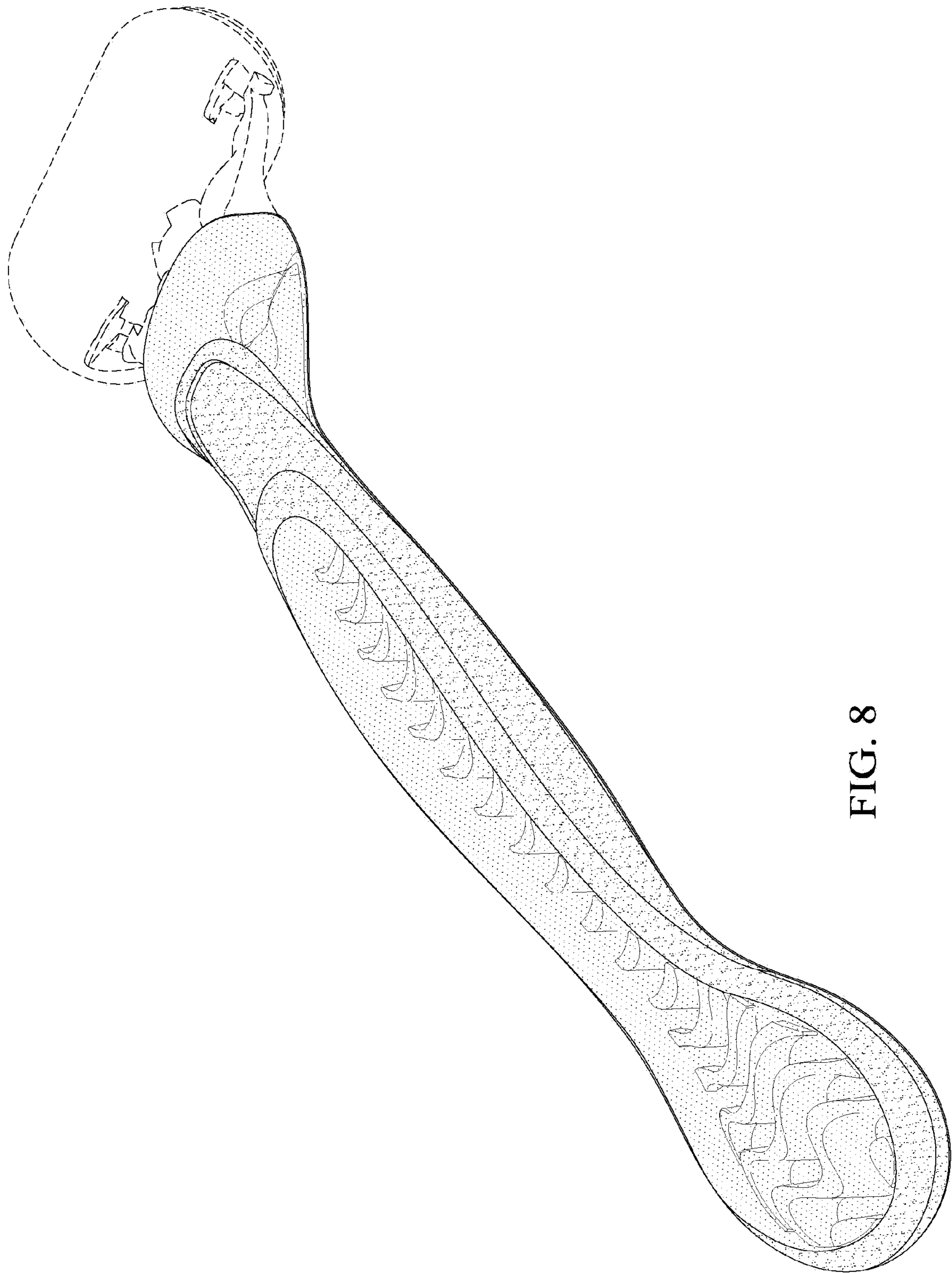


FIG. 8

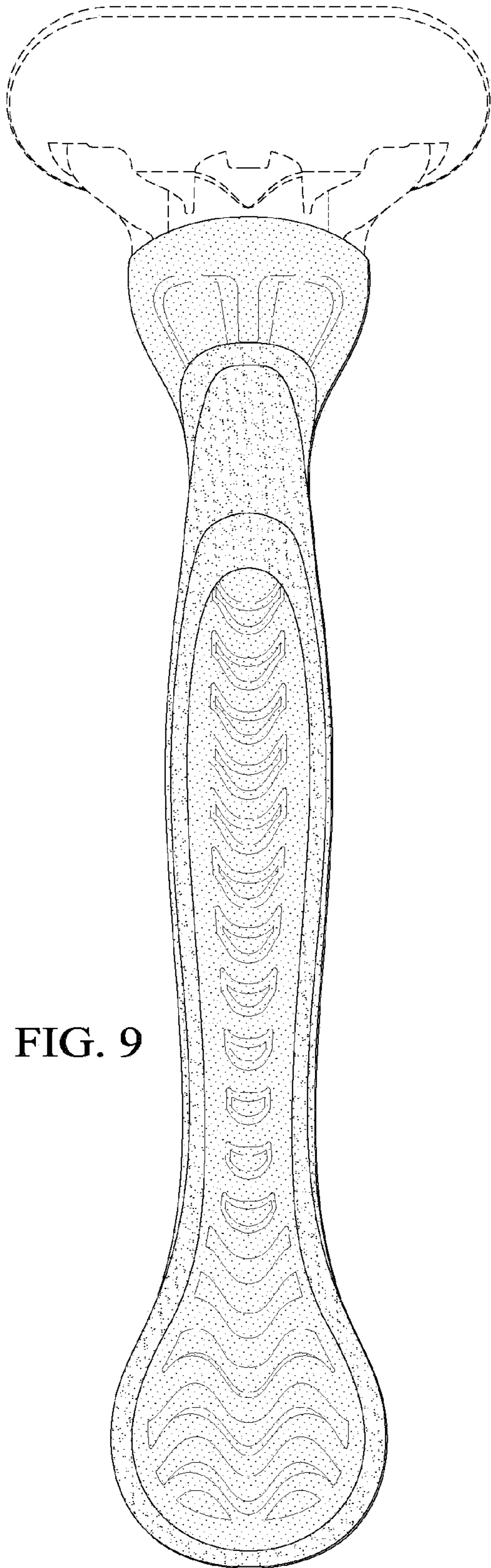


FIG. 9

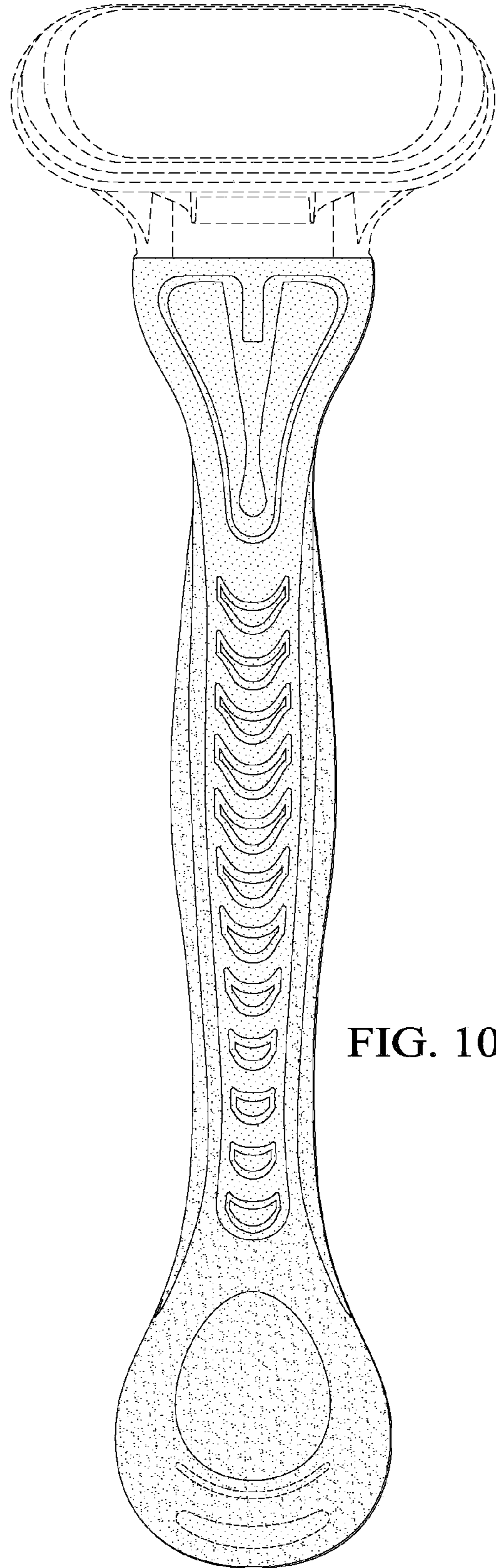
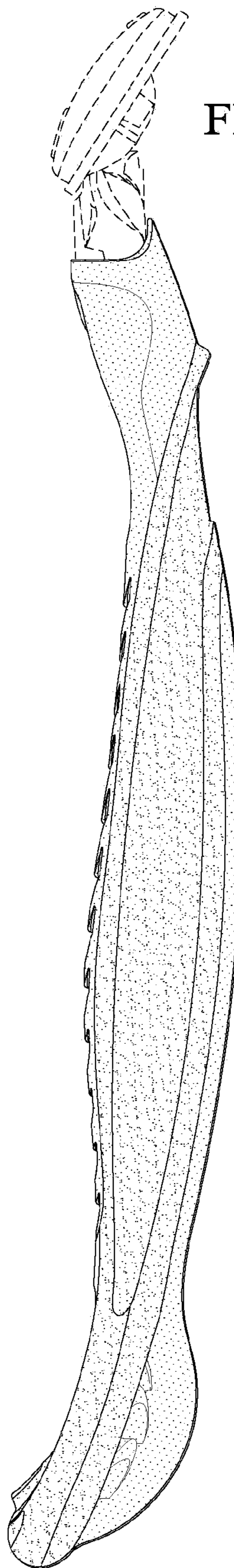


FIG. 10

FIG. 11



FIG. 12



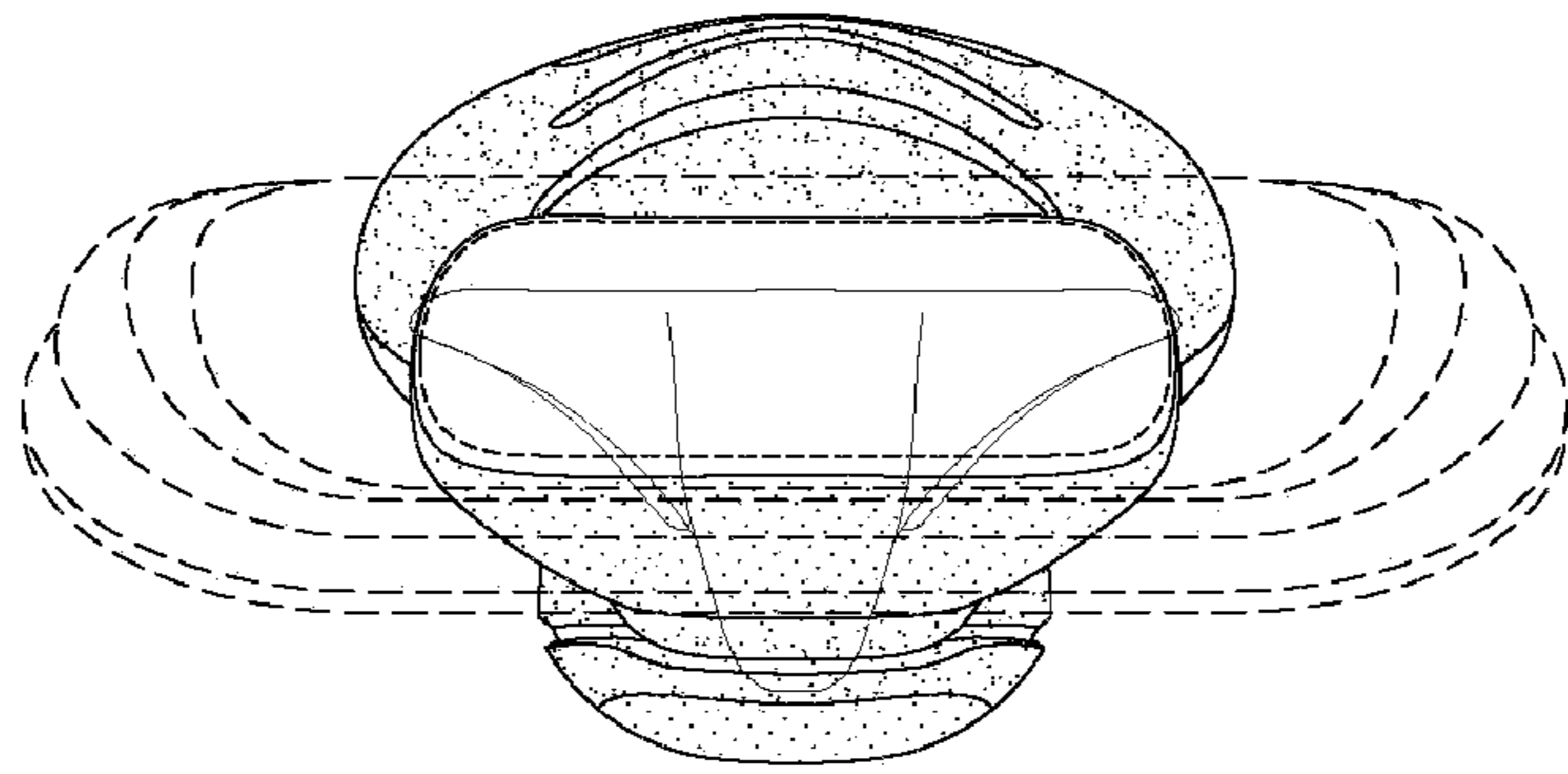


FIG. 13

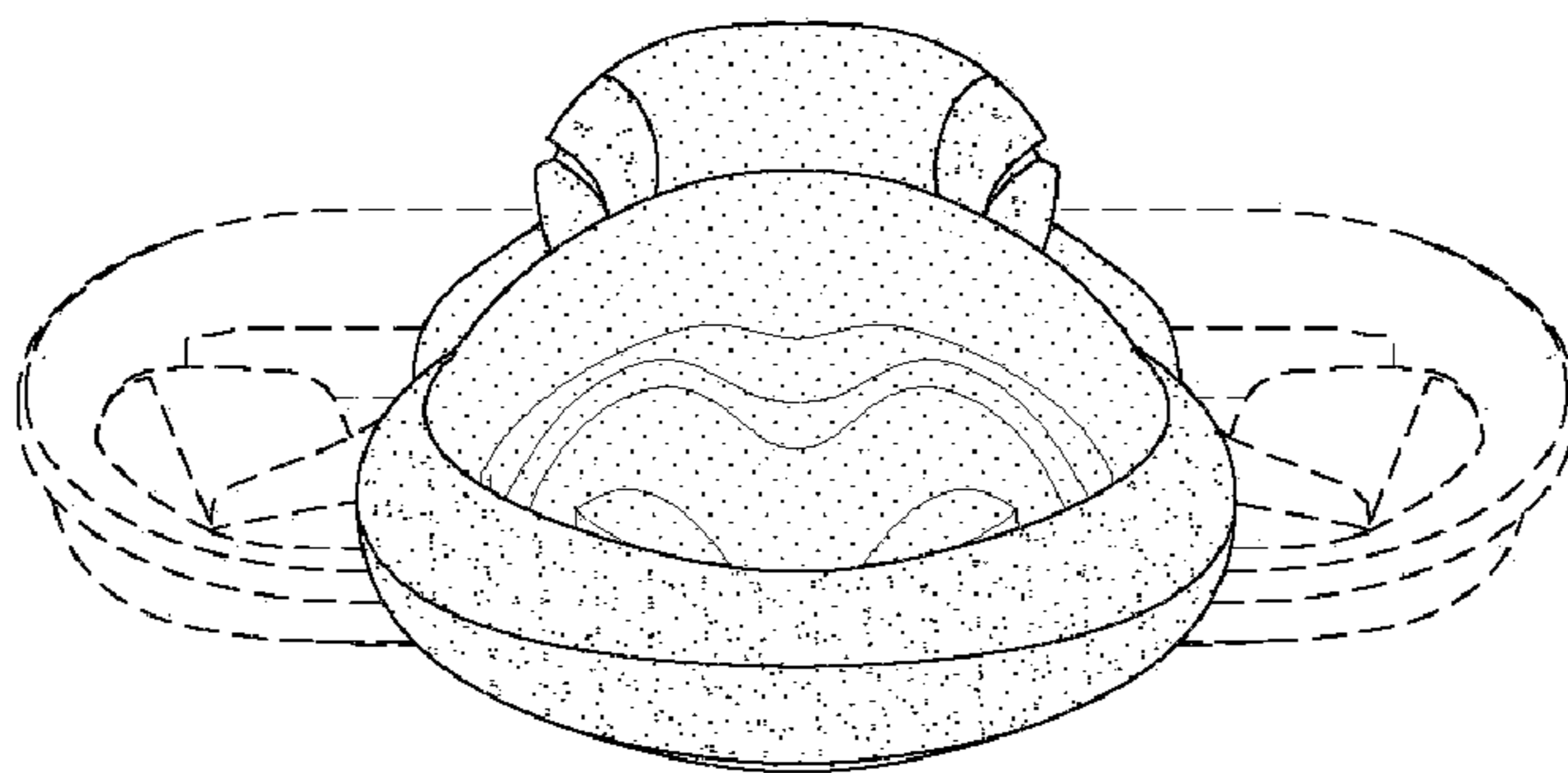


FIG. 14