



US00D614349S

(12) **United States Design Patent**  
**Long**

(10) **Patent No.:** **US D614,349 S**  
(45) **Date of Patent:** **\*\* Apr. 20, 2010**

(54) **SOAP ON A STICK**

3,693,923 A 9/1972 Ayoub et al.

(76) Inventor: **Lisa K Long**, 8402 Hermosa Dr.,  
Riverside, CA (US) 92504

(Continued)

(\*\*) Term: **14 Years**

*Primary Examiner*—Jennifer Rivard

(21) Appl. No.: **29/340,335**

(74) *Attorney, Agent, or Firm*—Kirk A. Buhler; Buhler & Associates

(22) Filed: **Jul. 16, 2009**

(57) **CLAIM**

**Related U.S. Application Data**

The ornamental design for a soap on a stick, as shown and described.

(63) Continuation-in-part of application No. 12/069,379,  
filed on Feb. 11, 2008, now abandoned.

**DESCRIPTION**

(51) **LOC (9) Cl.** ..... **28-02**

FIG. 1 is a top isometric view of my first embodiment for a soap on a stick;

(52) **U.S. Cl.** ..... **D28/8.1**

FIG. 2 is a top plan view thereof, the bottom plan view being a mirror image thereof;

(58) **Field of Classification Search** ..... D28/8.1–8.2,  
D28/4; 248/309.2, 684, 686; 510/139, 141–148,  
510/440–442, 447–450

FIG. 3 is a front view thereof, the back side view being a mirror image thereof;

See application file for complete search history.

FIG. 4 is a top plan view of my second embodiment for a soap on a stick, the bottom plan view being a mirror image thereof;

(56) **References Cited**

**U.S. PATENT DOCUMENTS**

77,349 A	1/1868	Bigelow	
196,766 A *	11/1877	Quentin	510/144
606,024 A	6/1898	Perahlie et al.	
915,495 A	3/1909	Smith	
1,416,962 A	5/1922	Meeks	
1,741,400 A	12/1929	Boocchino	
1,780,330 A *	11/1930	Blair	510/145
2,099,484 A	11/1937	De Hokerk	
2,307,752 A *	1/1943	Anderson	D28/8.1
2,586,626 A *	2/1952	Dunn	248/309.2
2,679,709 A *	6/1954	Du Bois	248/317
2,787,948 A	4/1957	Mathis	
3,164,356 A *	1/1965	Zajackowski	248/684
3,315,933 A *	4/1967	Tatham	248/309.2
3,341,457 A	9/1967	Schmidt	
3,346,228 A *	10/1967	Thorman	248/316.4
3,519,568 A	7/1970	Needleman	

FIG. 5 is a front view thereof, the back side view being a mirror image thereof;

FIG. 6 is a right side view of the first embodiment, the left side view being a mirror image thereof;

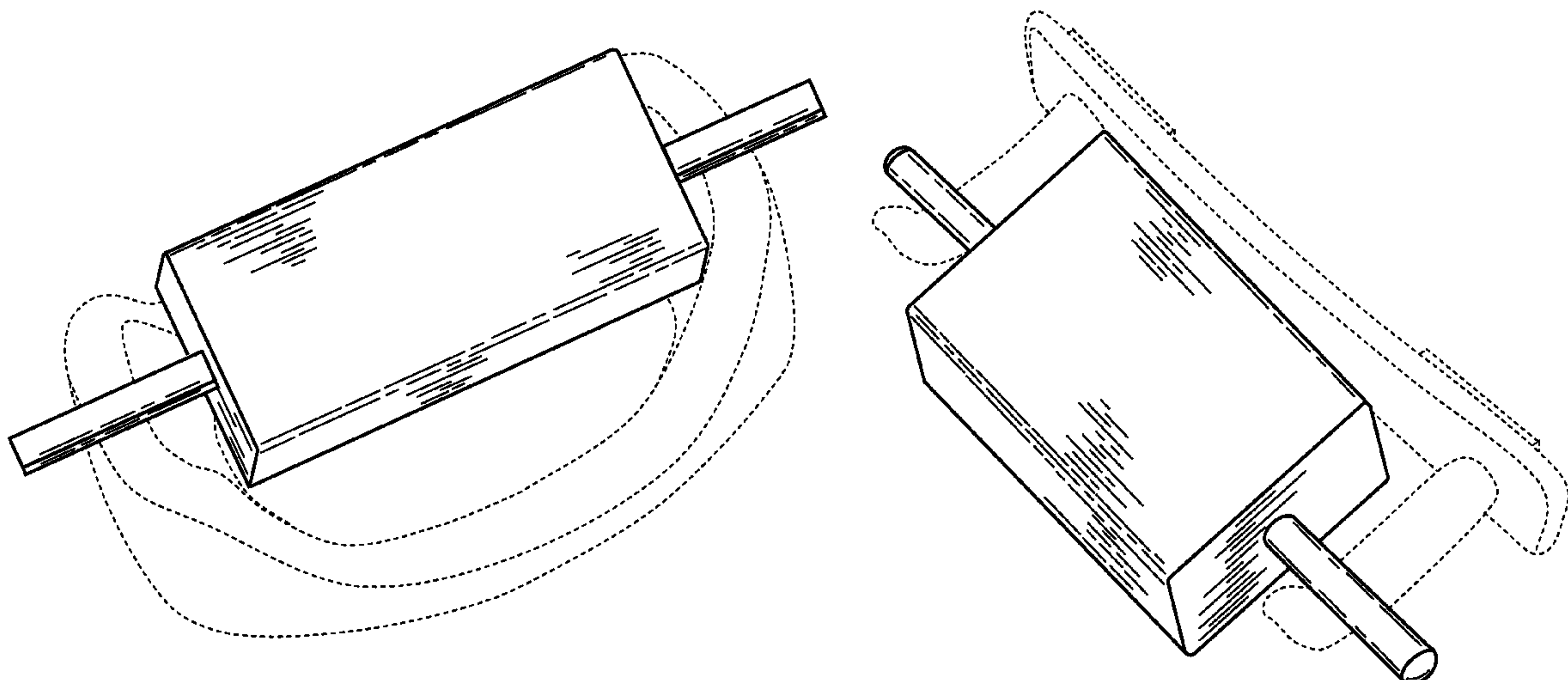
FIG. 7 is a right side view of the second embodiment, the left side view being a mirror image thereof;

FIG. 8 is a perspective view of the second embodiment; and,  
FIG. 9 is a perspective view of the first embodiment.

The first embodiment has a round stick and the second embodiment has a square stick.

The broken lines shown in the drawings illustrate environment for the article and form no part of the claimed design.

**1 Claim, 5 Drawing Sheets**



# US D614,349 S

Page 2

---

## U.S. PATENT DOCUMENTS

D257,418 S *	10/1980	Rosenthal .....	D28/8.1	5,642,871 A	7/1997	Repert et al.	
4,309,014 A *	1/1982	Blaszkowski .....	248/686	7,051,886 B1	5/2006	Han	
4,458,871 A *	7/1984	van Allen .....	248/309.2	7,124,901 B2	10/2006	Stoupa	
5,020,753 A *	6/1991	Green .....	248/309.2	7,350,458 B2	4/2008	Leibowitz	
				2008/0191120 A1*	8/2008	Wright .....	248/686

\* cited by examiner

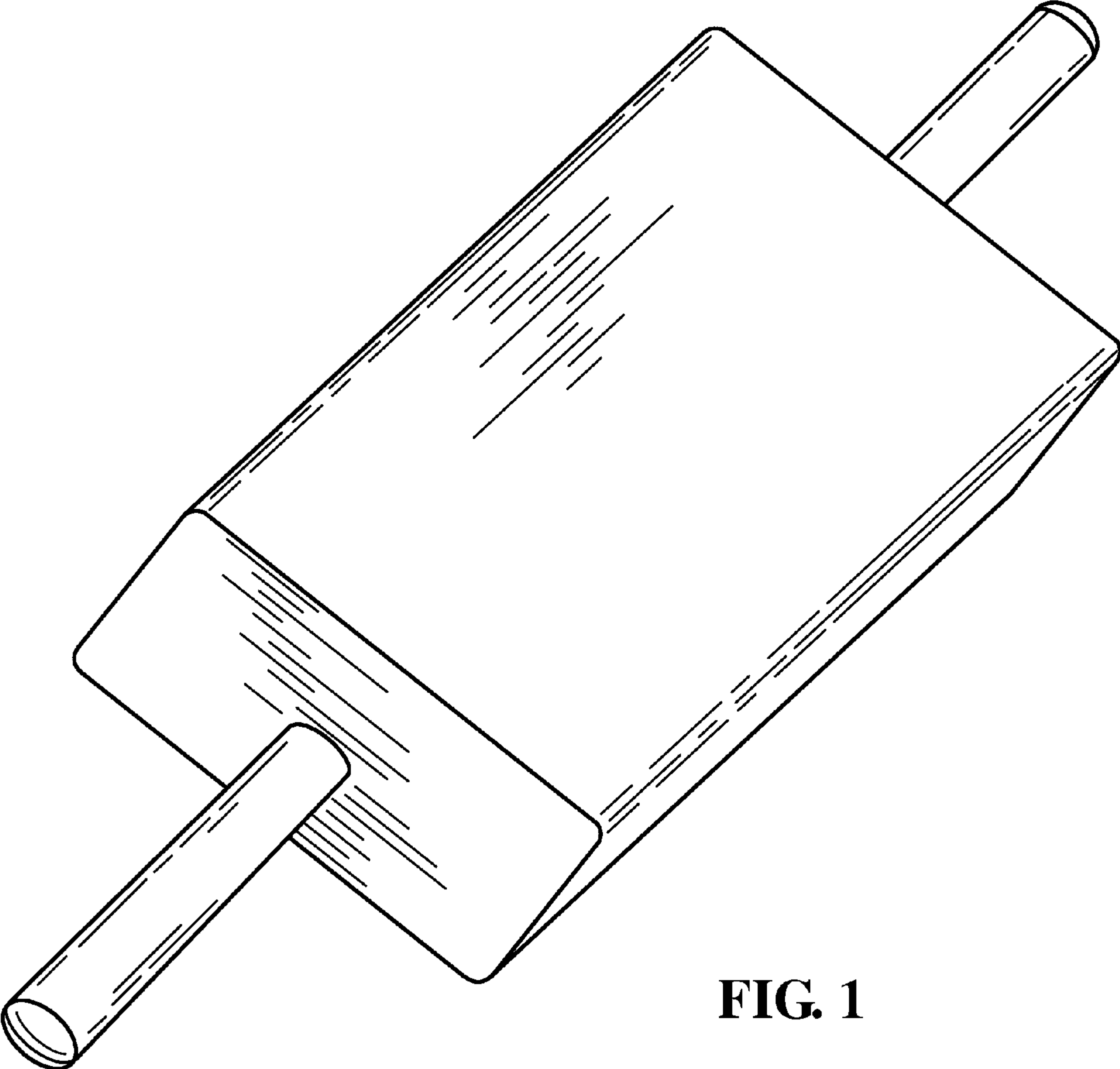
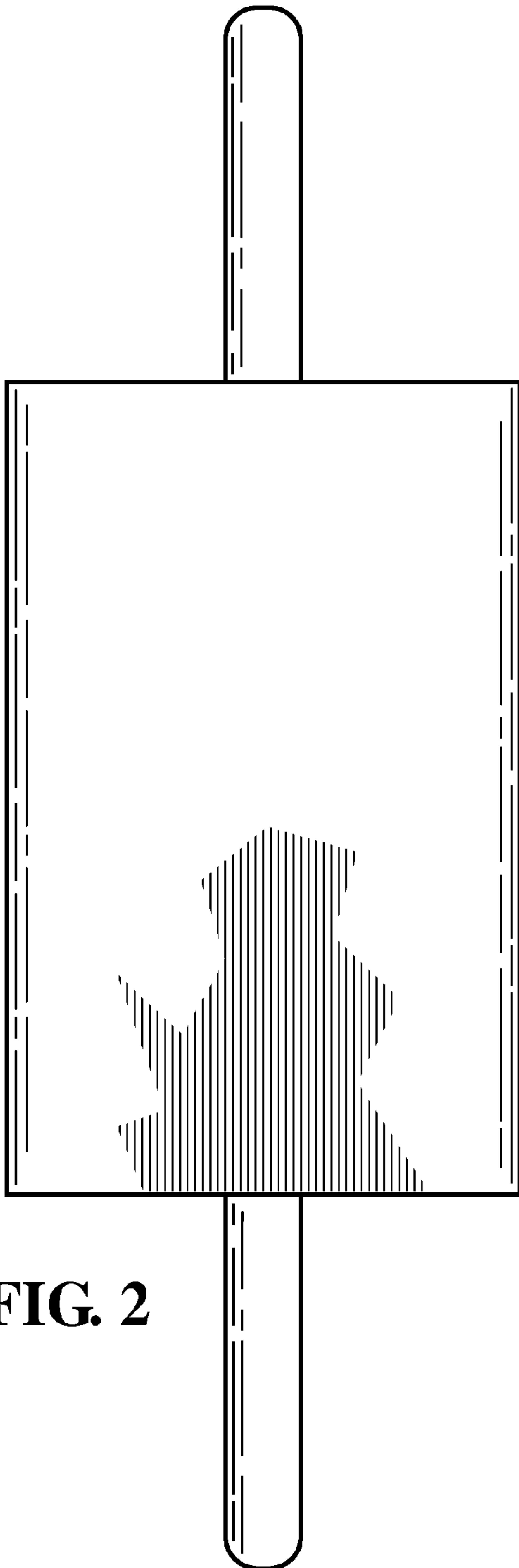
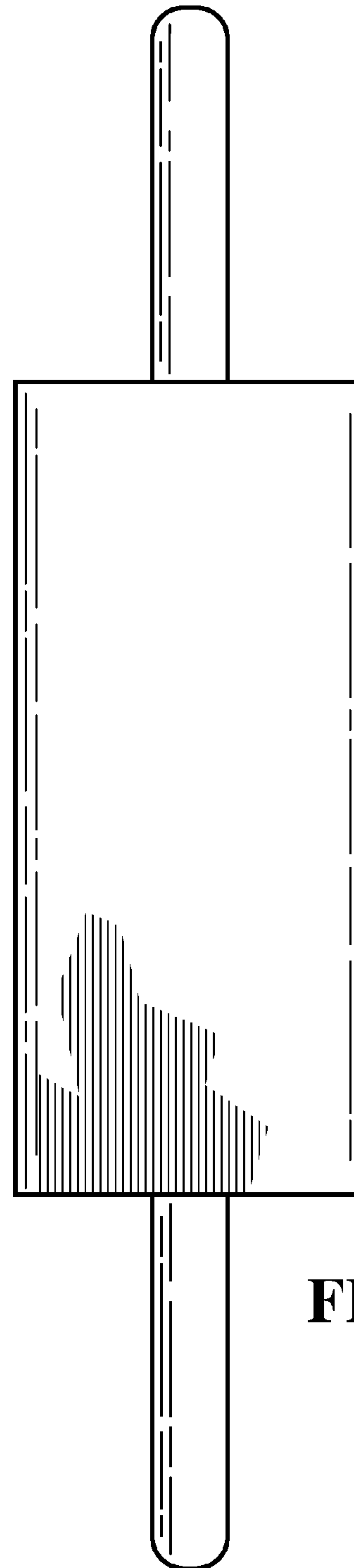


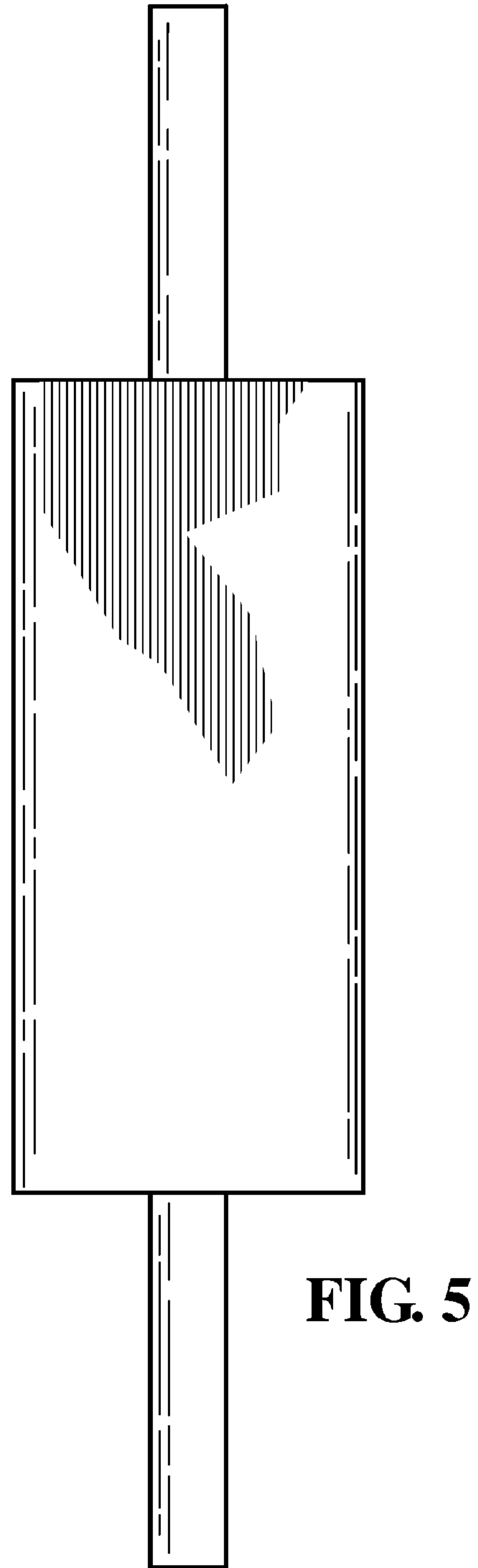
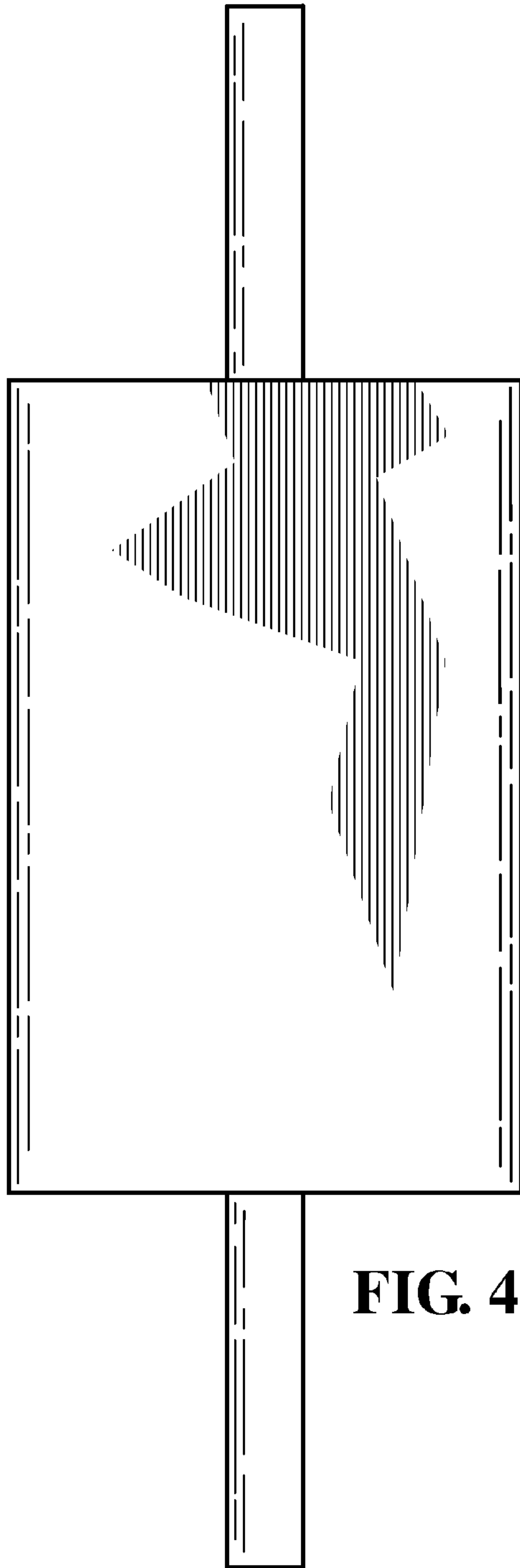
FIG. 1

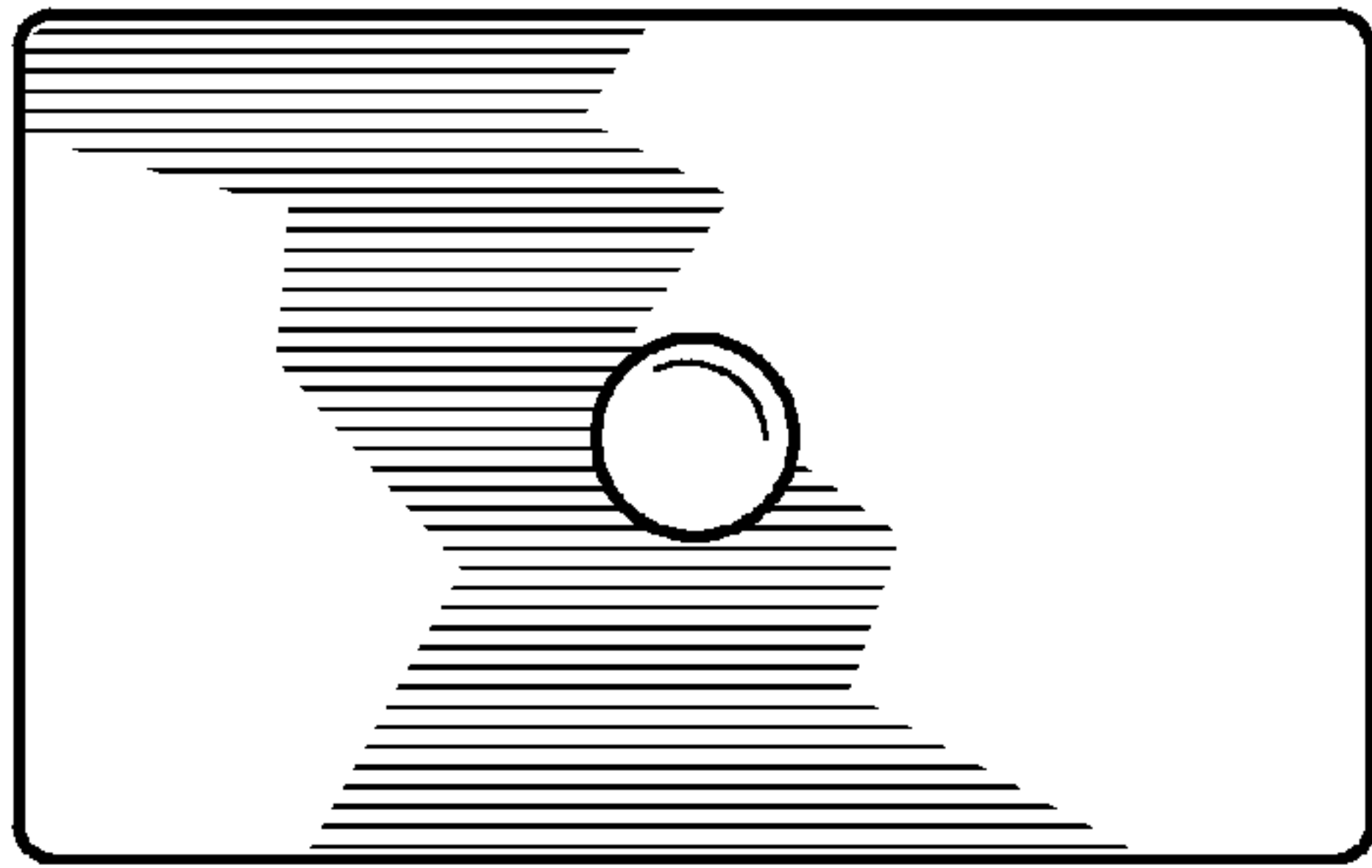


**FIG. 2**

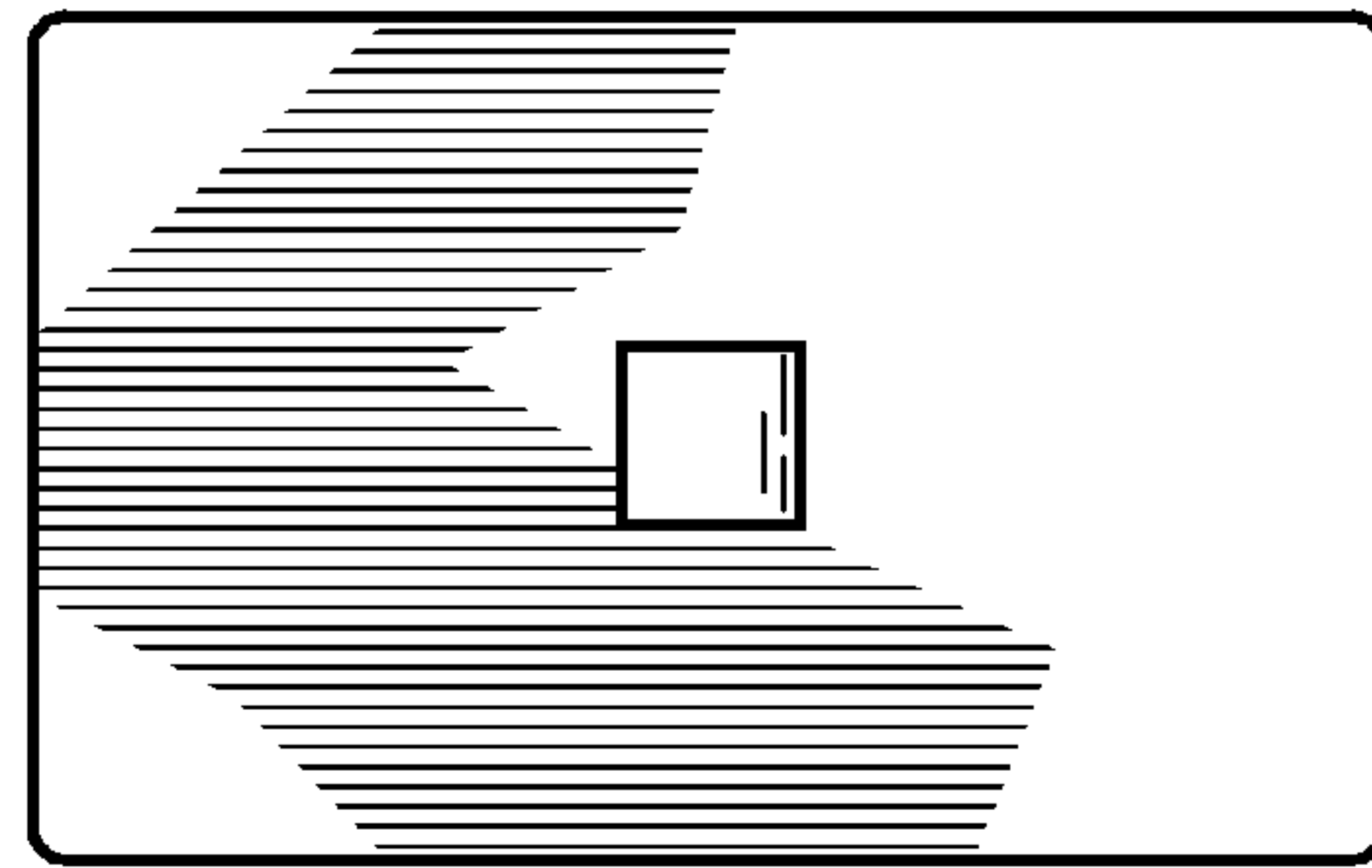


**FIG. 3**

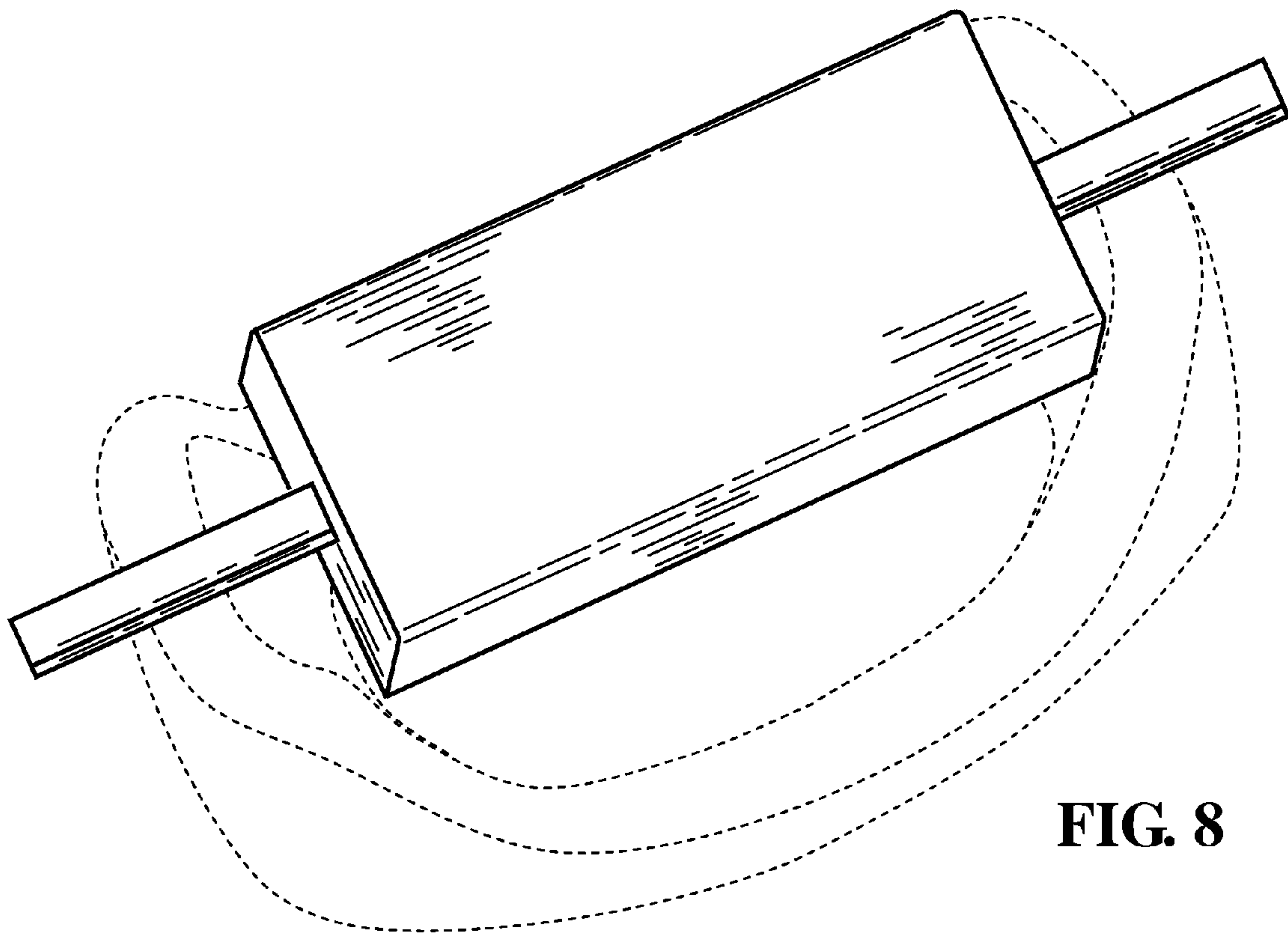




**FIG. 6**

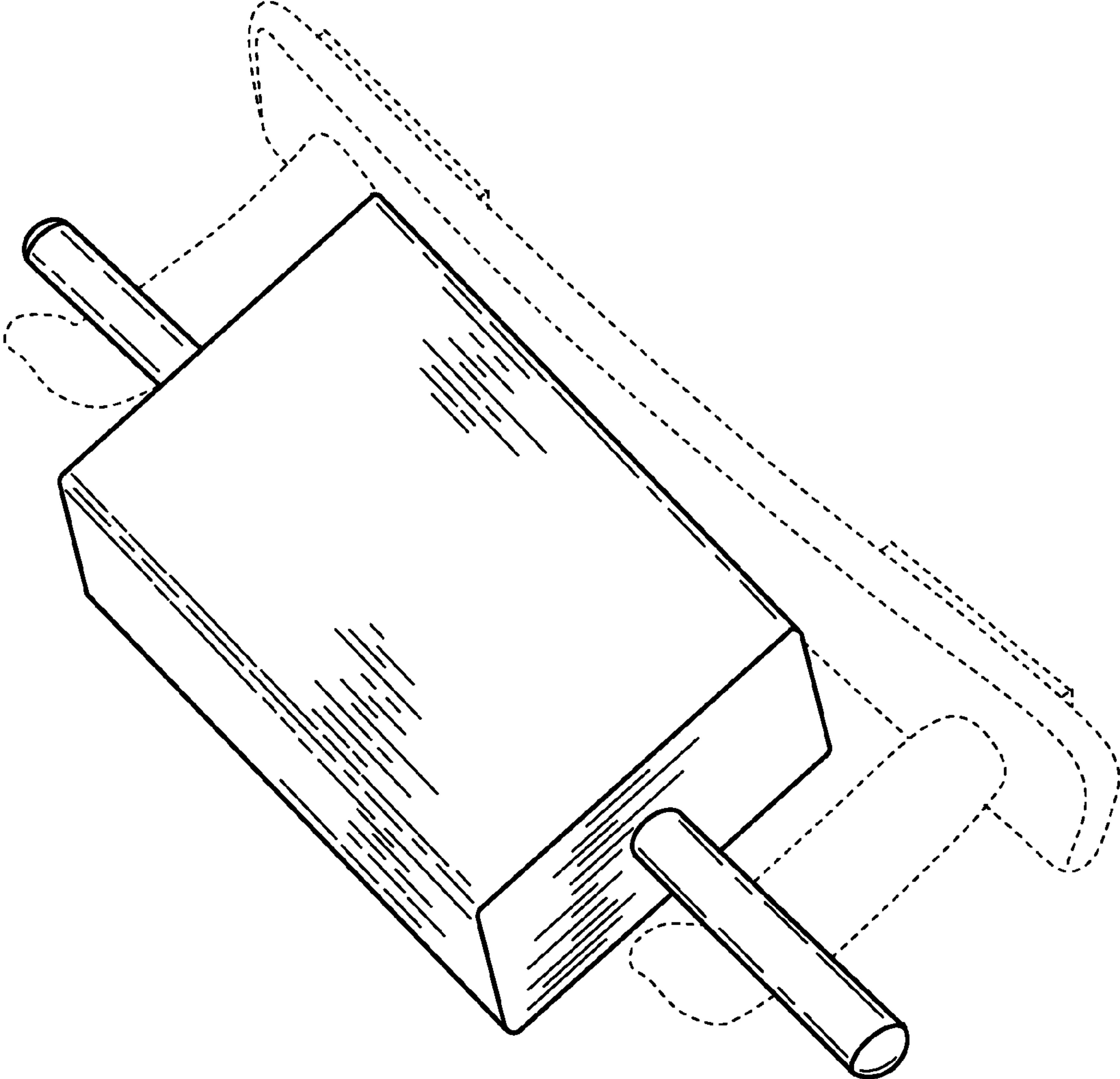


**FIG. 7**



**FIG. 8**





**FIG. 9**