



US00D614347S

(12) **United States Design Patent**
Uehara et al.

(10) **Patent No.:** **US D614,347 S**
(45) **Date of Patent:** **** Apr. 20, 2010**

(54) **APPLICATOR FOR LIP COSMETICS**

(75) Inventors: **Kazuyuki Uehara**, Sumida-ku (JP); **Yu Saito**, Sumida-ku (JP); **Kenko Kurita**, Sumida-ku (JP)

(73) Assignee: **Kao Corporation**, Tokyo (JP)

(**) Term: **14 Years**

(21) Appl. No.: **29/330,666**

(22) Filed: **Jan. 12, 2009**

(30) **Foreign Application Priority Data**

Dec. 29, 2008 (JP) 2008-033380

(51) **LOC (9) Cl.** **28-02**

(52) **U.S. Cl.** **D28/7**

(58) **Field of Classification Search** D28/7,
D28/8, 20-22, 30-31, 76, 85, 99; 132/108,
132/202, 208, 317, 320; 401/202-207, 261-267;
D4/132-135

See application file for complete search history.

(56) **References Cited**

U.S. PATENT DOCUMENTS

D197,107 S *	12/1963	Forgue	D28/7
D270,768 S	9/1983	Cassai et al.		
D272,100 S	1/1984	Cassai et al.		
D406,921 S *	3/1999	Roeder	D28/7
D421,302 S *	2/2000	Korteweg	D24/119
D432,721 S *	10/2000	Lerolle	D28/76
D436,449 S *	1/2001	Baltierra	D4/135
D496,756 S *	9/2004	McGhee	D28/57
D527,143 S *	8/2006	Fischer	D28/7
D537,564 S *	2/2007	Montoli	D28/7
D538,975 S	3/2007	Montoli		
D539,982 S *	4/2007	Nobuto et al.	D28/76
D541,979 S *	5/2007	Montoli	D28/7
D544,644 S *	6/2007	Hartstock et al.	D28/7
D586,048 S *	2/2009	Hartstock et al.	D28/76
2004/0018037 A1	1/2004	Gueret		

2007/0181143 A1* 8/2007 Montoli 132/320

FOREIGN PATENT DOCUMENTS

JP	D1238065	5/2005
JP	D1265528	3/2006
JP	2008-012177	1/2008
TW	D123472	7/2008
TW	D123473	7/2008

* cited by examiner

Primary Examiner—Caron Veynar

Assistant Examiner—Zenia I Bennett

(74) *Attorney, Agent, or Firm*—Oblon, Spivak, McClelland, Maier & Neustadt, L.L.P.

(57) **CLAIM**

The ornamental design for an applicator for lip cosmetics, as shown and described.

DESCRIPTION

FIG. 1 is a top, front, and right side perspective view of a device for applying lip cosmetics;

FIG. 2 is a front elevational view thereof;

FIG. 3 is a rear elevational view thereof;

FIG. 4 is a left side elevational view thereof;

FIG. 5 is a right side elevational view thereof;

FIG. 6 is a top plan view thereof

FIG. 7 is a bottom plan view thereof;

FIG. 8 is an enlarged view of FIG. 2;

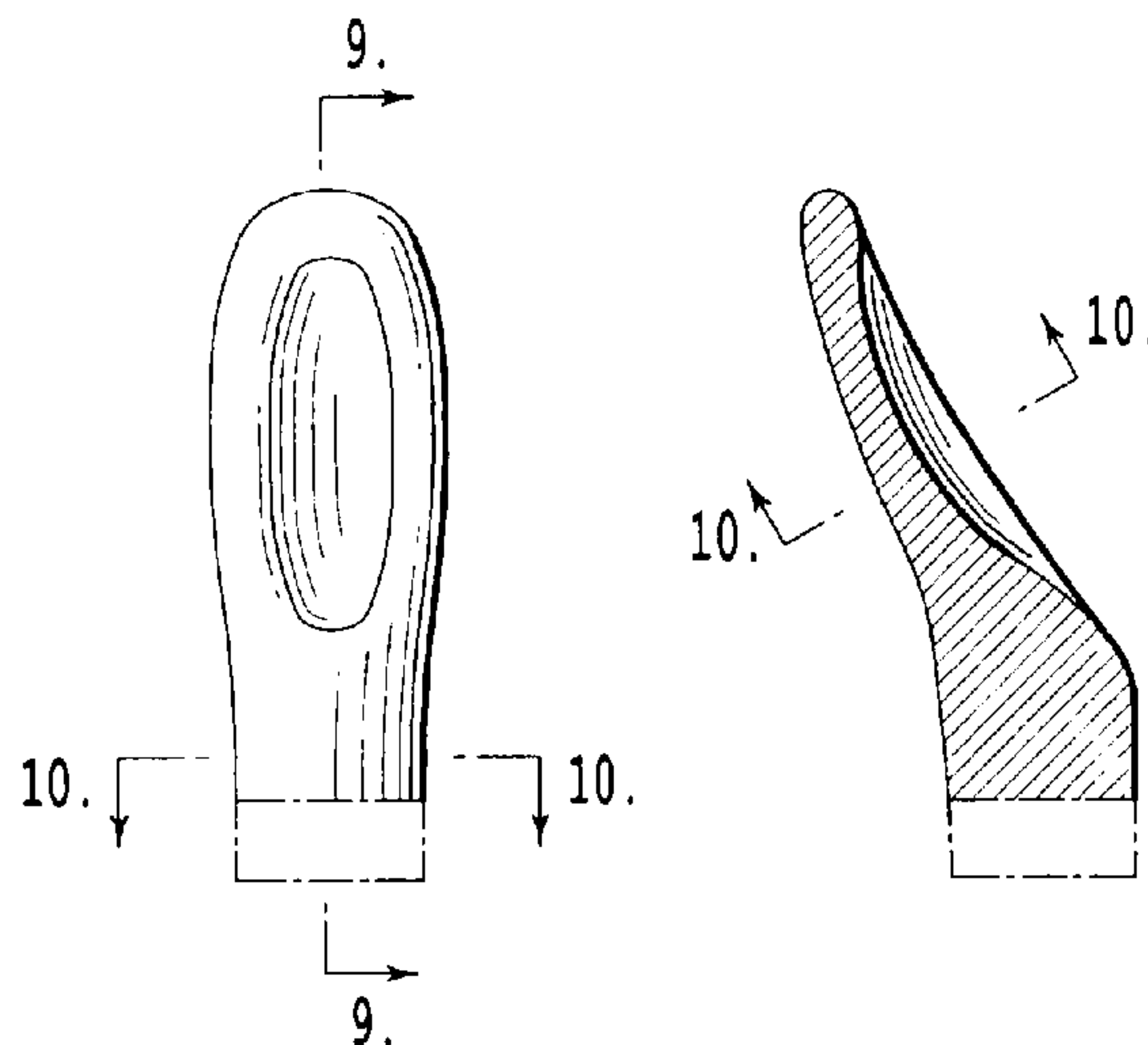
FIG. 9 is a cross-sectional view taken along line 9—9 from FIG. 8;

FIG. 10 is a cross-sectional view taken along line 10—10 from FIG. 8; and,

FIG. 11 is a cross-sectional view taken along line 11—11 from FIG. 9.

The broken lines in the drawings depict environmental subject matter only and form no part of the claimed design.

1 Claim, 5 Drawing Sheets



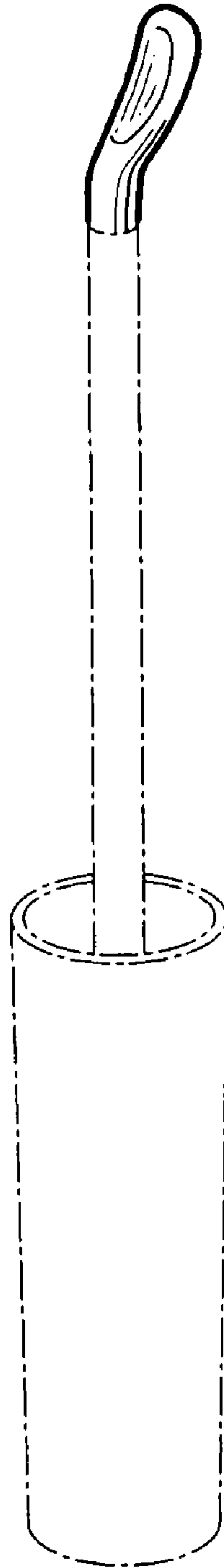


Fig. 1

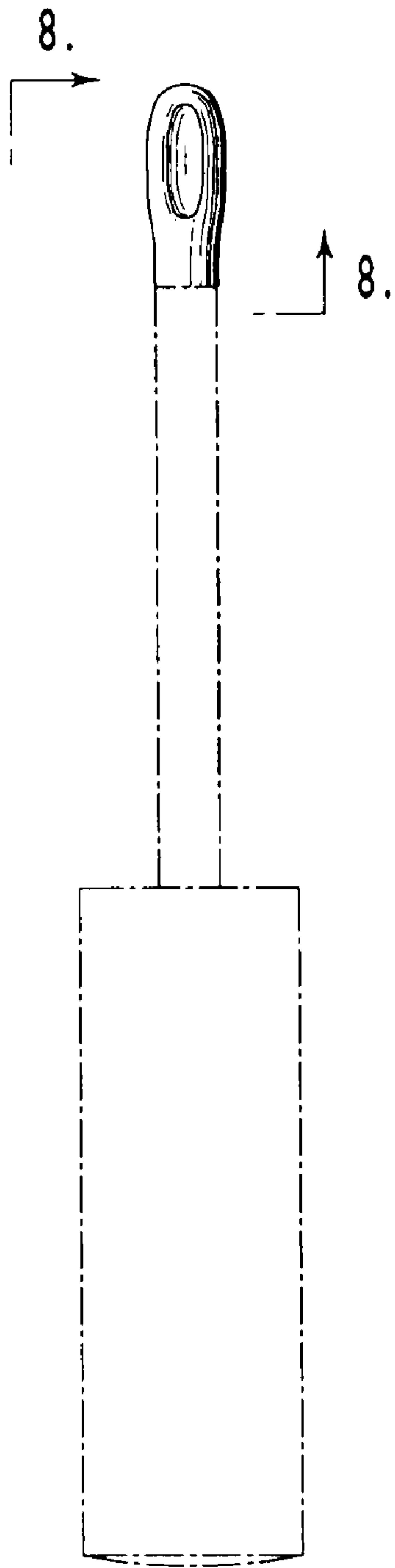


Fig. 2

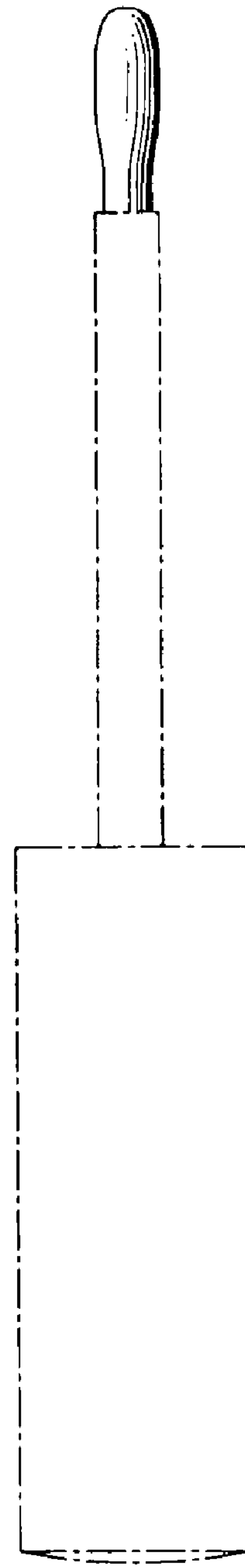


Fig. 3

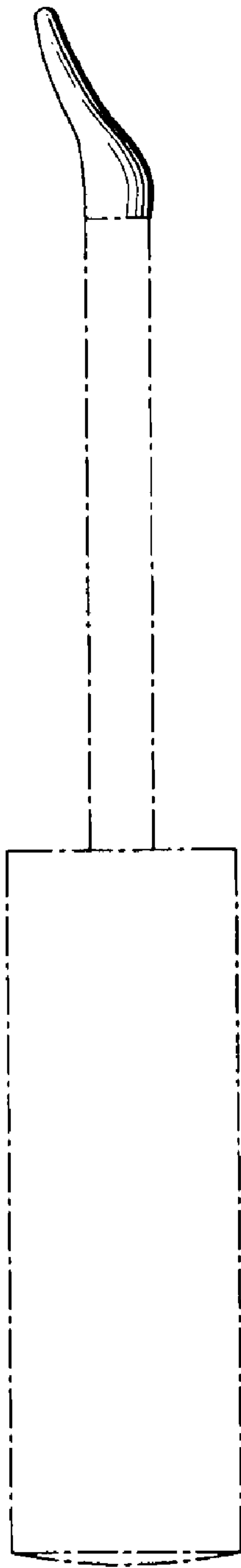


Fig. 4

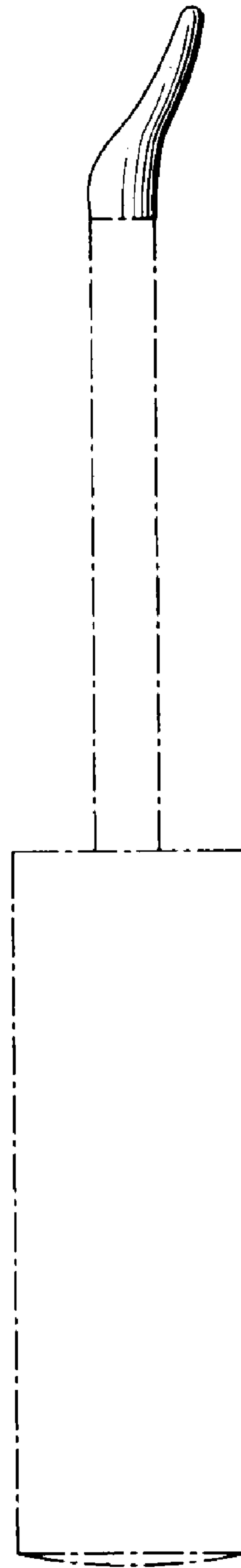


Fig. 5

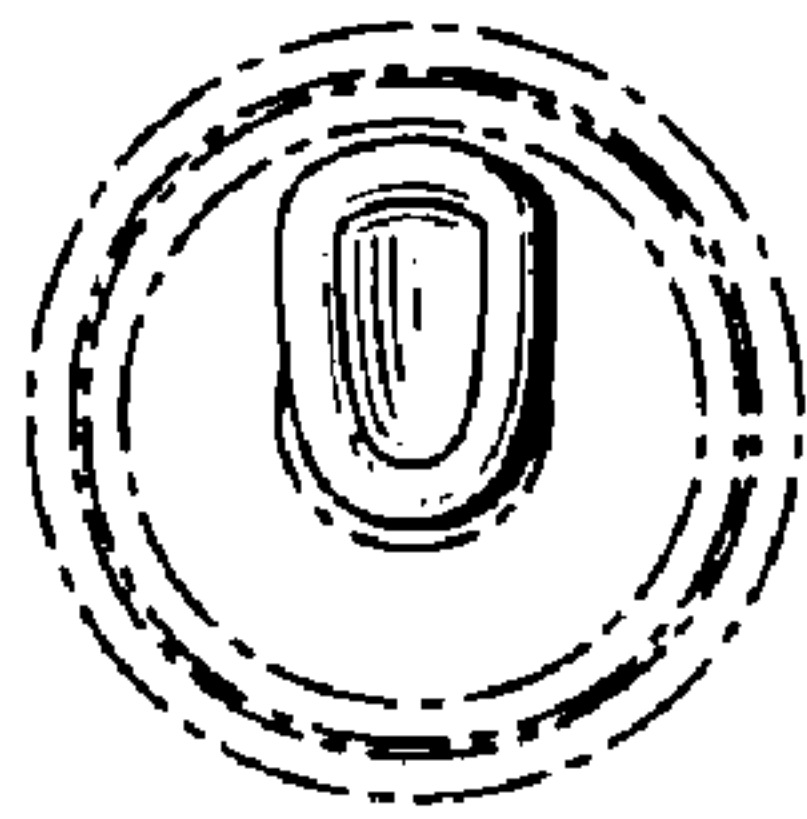


Fig. 6

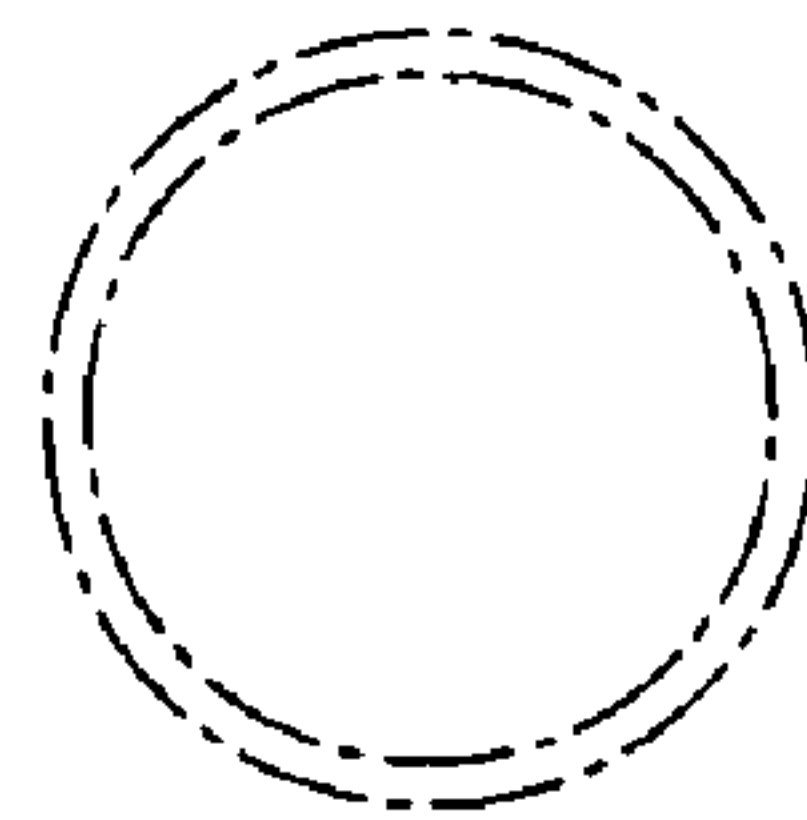


Fig. 7

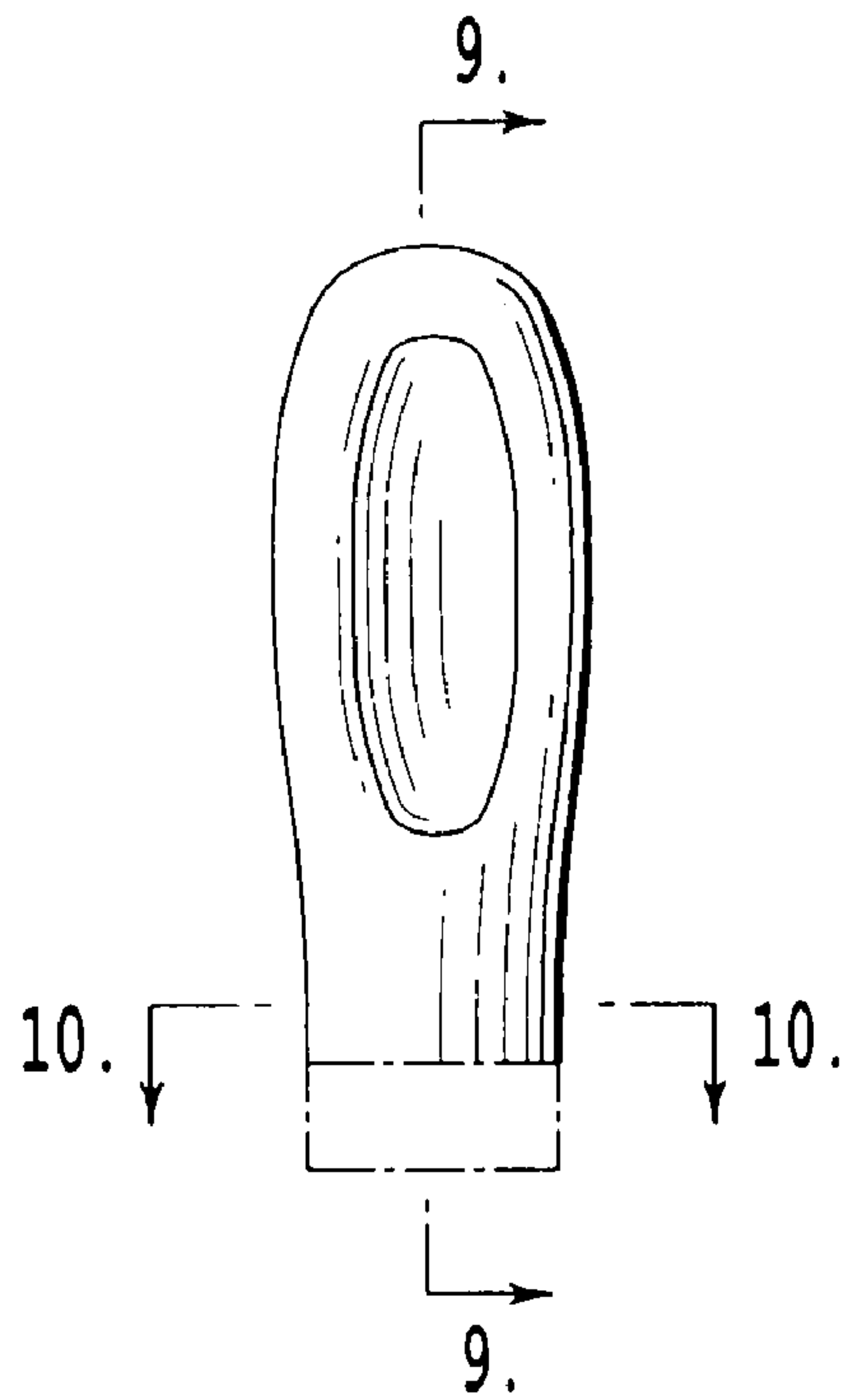


Fig. 8

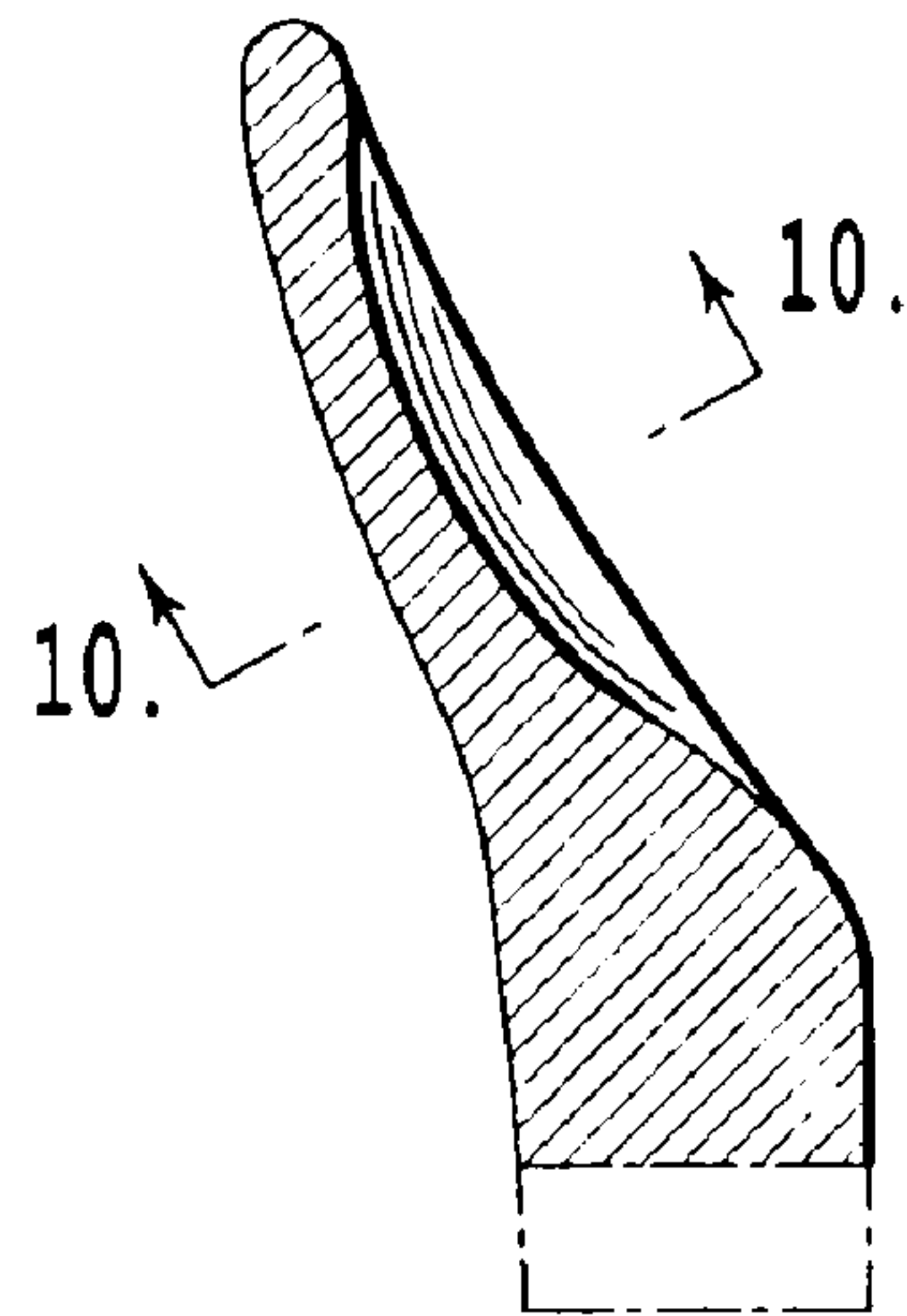


Fig. 9

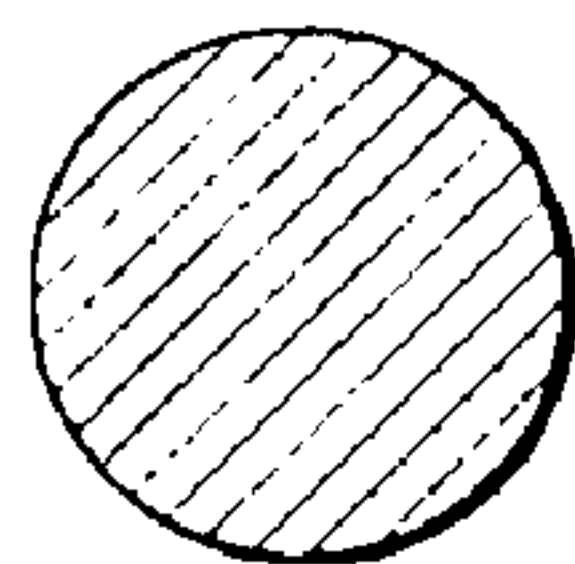


Fig. 10

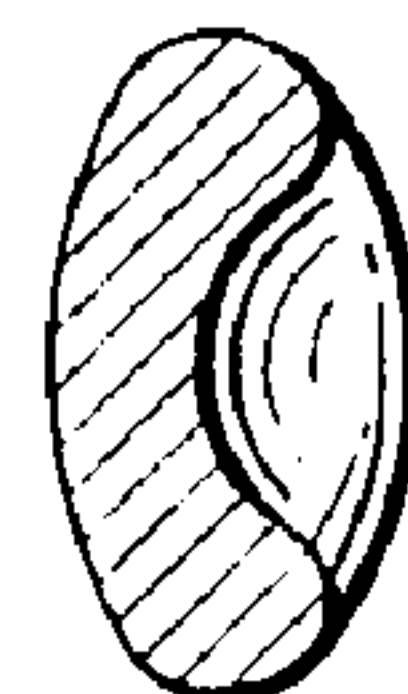


Fig. 11