



US00D614345S

(12) **United States Design Patent**  
**Bertken**

(10) **Patent No.:** **US D614,345 S**

(45) **Date of Patent:** **\*\* Apr. 20, 2010**

(54) **LIGHT CLIP**

(75) Inventor: **Dennis Bertken**, Solana Beach, CA  
(US)

(73) Assignee: **Life+Gear, Inc.**, Solana Beach, CA (US)

(\*\*) Term: **14 Years**

(21) Appl. No.: **29/351,695**

(22) Filed: **Dec. 9, 2009**

(51) **LOC (9) Cl.** ..... **26-99**

(52) **U.S. Cl.** ..... **D26/138**

(58) **Field of Classification Search** ..... D26/2,  
D26/142, 134, 129, 124, 118, 128, 113, 121,  
D26/125, 131, 130, 60, 61, 138, 93, 102,  
D26/103, 106, 107, 110, 147, 153, 149, 141,  
D26/145, 155, 24, 63, 120, 122, 123, 65,  
D26/88; D8/396; 362/294, 98, 641, 257,  
362/269, 270, 277, 279, 285, 341, 347, 350,  
362/351, 363, 395, 410

See application file for complete search history.

(56) **References Cited**

**U.S. PATENT DOCUMENTS**

2,524,881	A *	10/1950	Chambers	362/190
2,644,383	A *	7/1953	Meditz	359/369
4,214,688	A *	7/1980	Griffin, Jr.	224/197
4,678,153	A *	7/1987	Maddock et al.	248/229.13
5,103,384	A *	4/1992	Drohan	362/191
D333,012	S *	2/1993	Fleming	D26/138
D354,677	S *	1/1995	Troyer	D8/396
5,460,346	A *	10/1995	Hirsch	248/229.13
D390,989	S *	2/1998	Zeller	D26/60
5,738,432	A *	4/1998	Okko et al.	362/103
5,816,684	A *	10/1998	Yu	362/191
6,206,543	B1 *	3/2001	Henry	362/191
D473,963	S *	4/2003	Chun	D26/51

6,604,837	B2 *	8/2003	Sandberg	362/191
6,619,813	B1 *	9/2003	Schnell	362/116
6,764,194	B1 *	7/2004	Cooper	362/105
6,951,409	B2 *	10/2005	Hsien	362/191
D526,079	S *	8/2006	Heun	D26/60
D526,734	S *	8/2006	Brown	D26/60
7,168,821	B2 *	1/2007	Huang	362/103
7,572,024	B2 *	8/2009	Ko et al.	362/92
2005/0018421	A1 *	1/2005	Parsons	362/196

\* cited by examiner

*Primary Examiner*—Cathron C Brooks

*Assistant Examiner*—Kevin K Rudzinski

(74) *Attorney, Agent, or Firm*—Marger Johnson & McCollom, P.C.

(57) **CLAIM**

The ornamental design for a light clip, as shown and described.

**DESCRIPTION**

FIG. 1 is a perspective view of the light clip according to the present design with an inserted light shown in phantom;

FIG. 2 is a perspective view of just the light clip of FIG. 1;

FIG. 3 is a right side elevation view of the design of FIG. 1.

FIG. 4 is a left side elevation of the design of FIG. 1.

FIG. 5 is a top plan view of the design of FIG. 1;

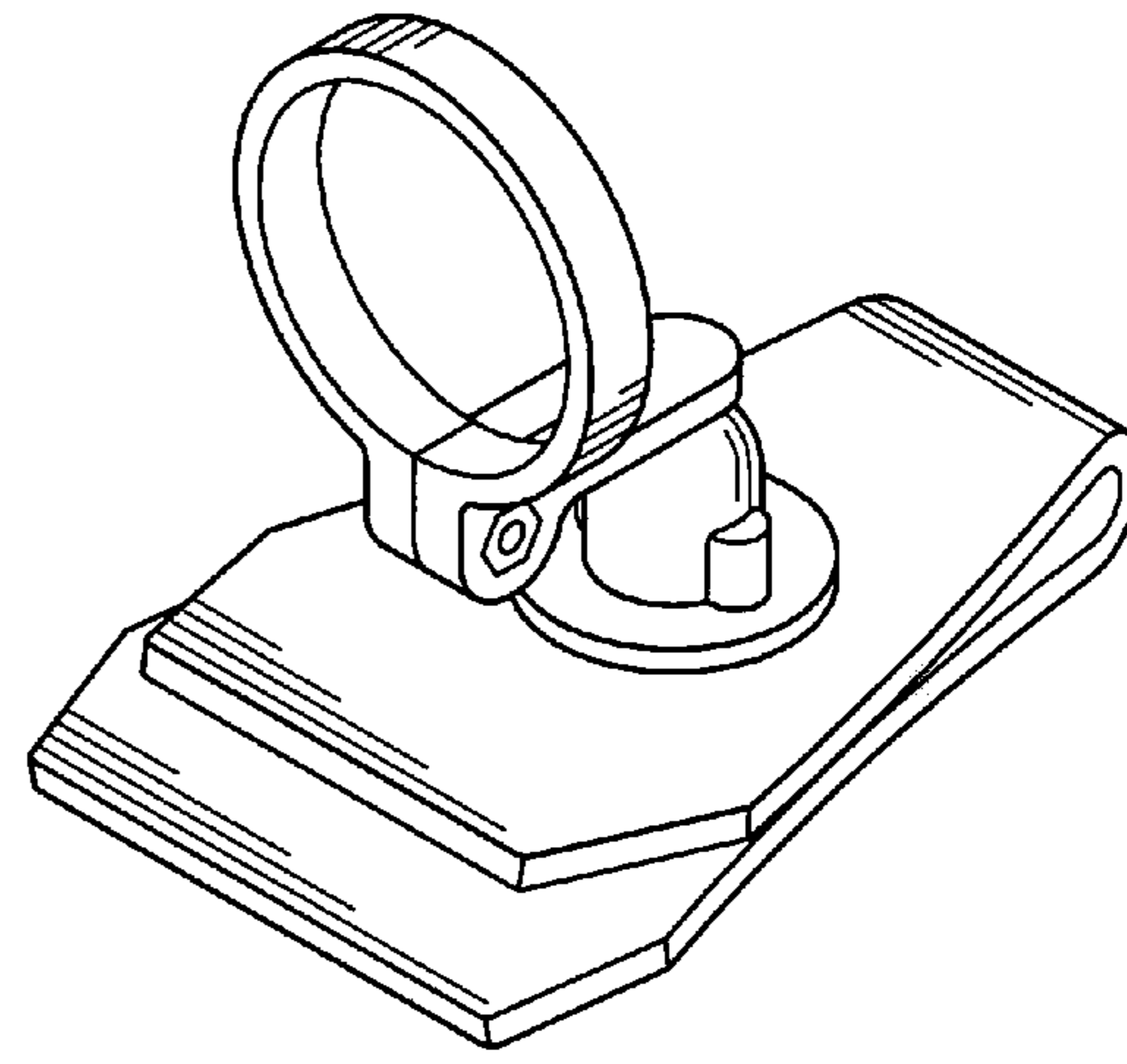
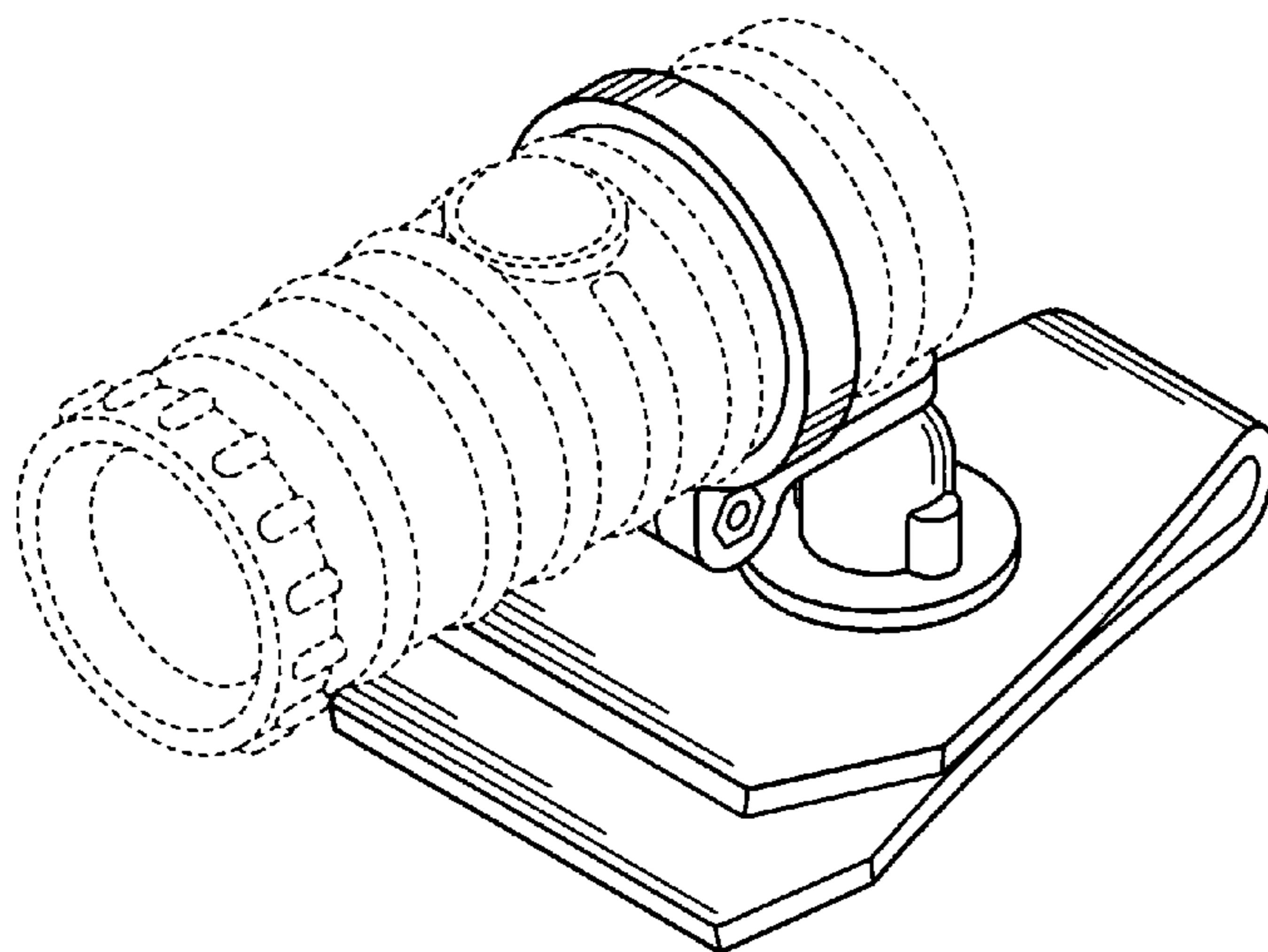
FIG. 6 is a bottom plan view of the design of FIG. 1, with attachment features shown in phantom;

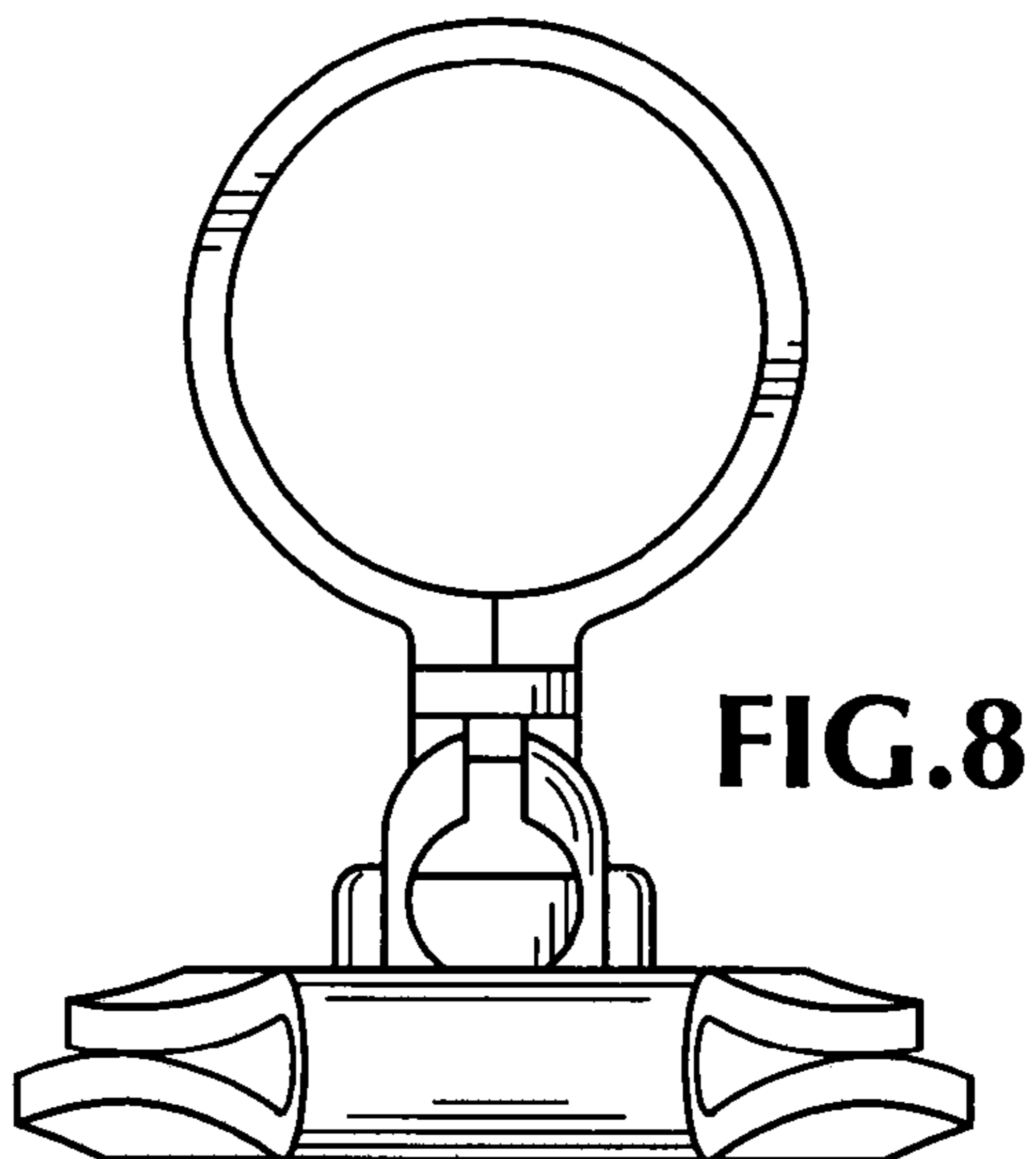
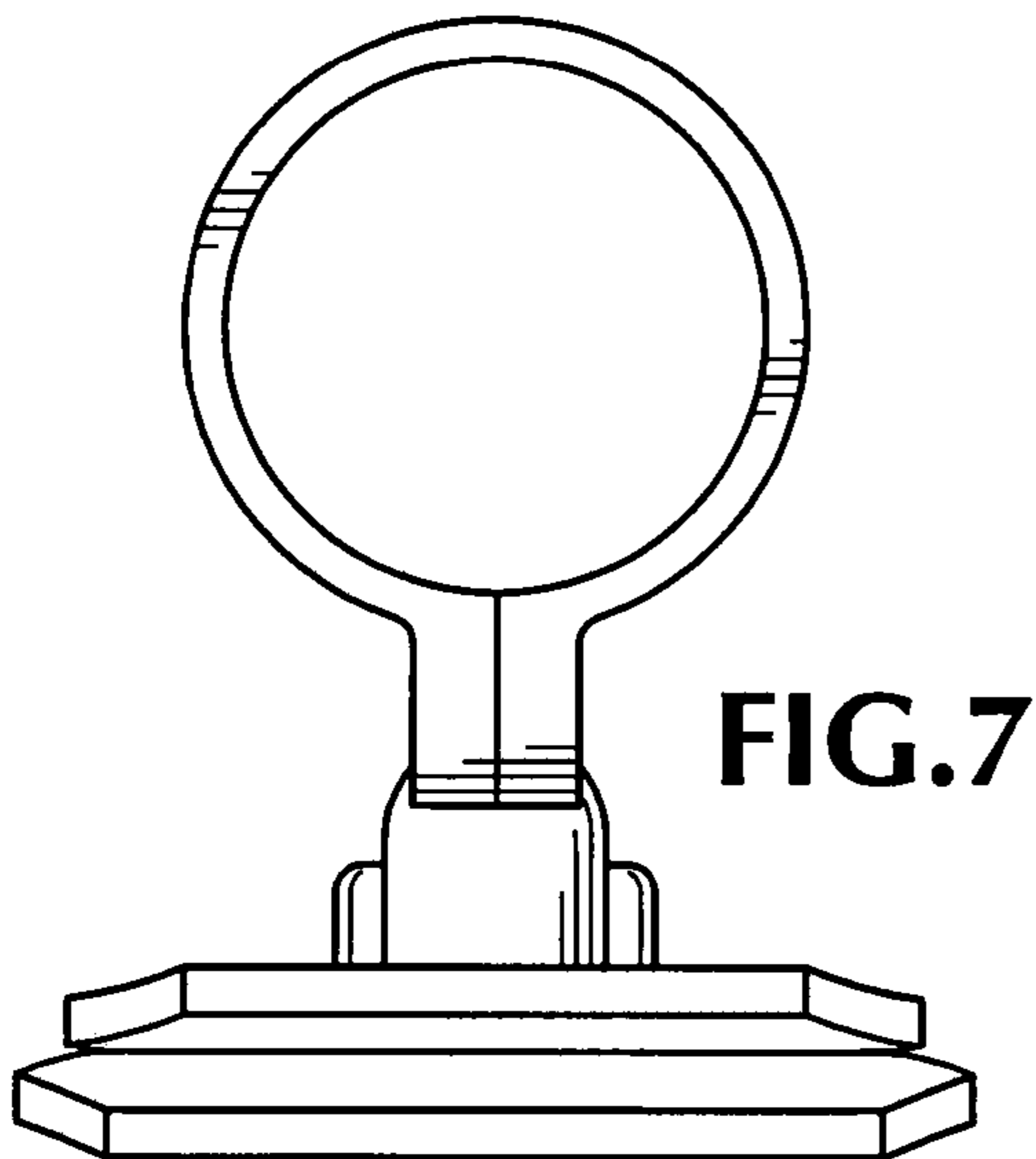
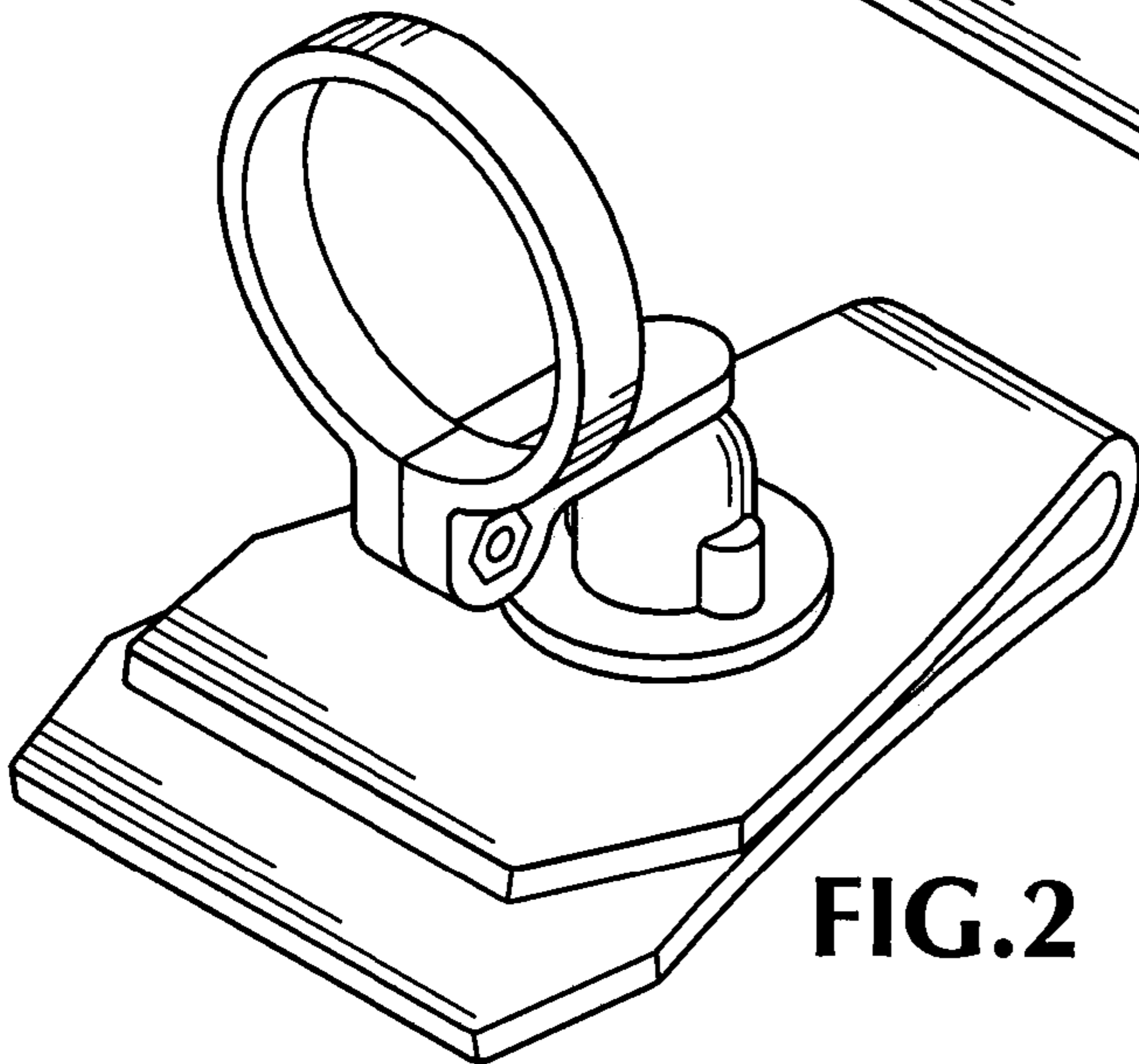
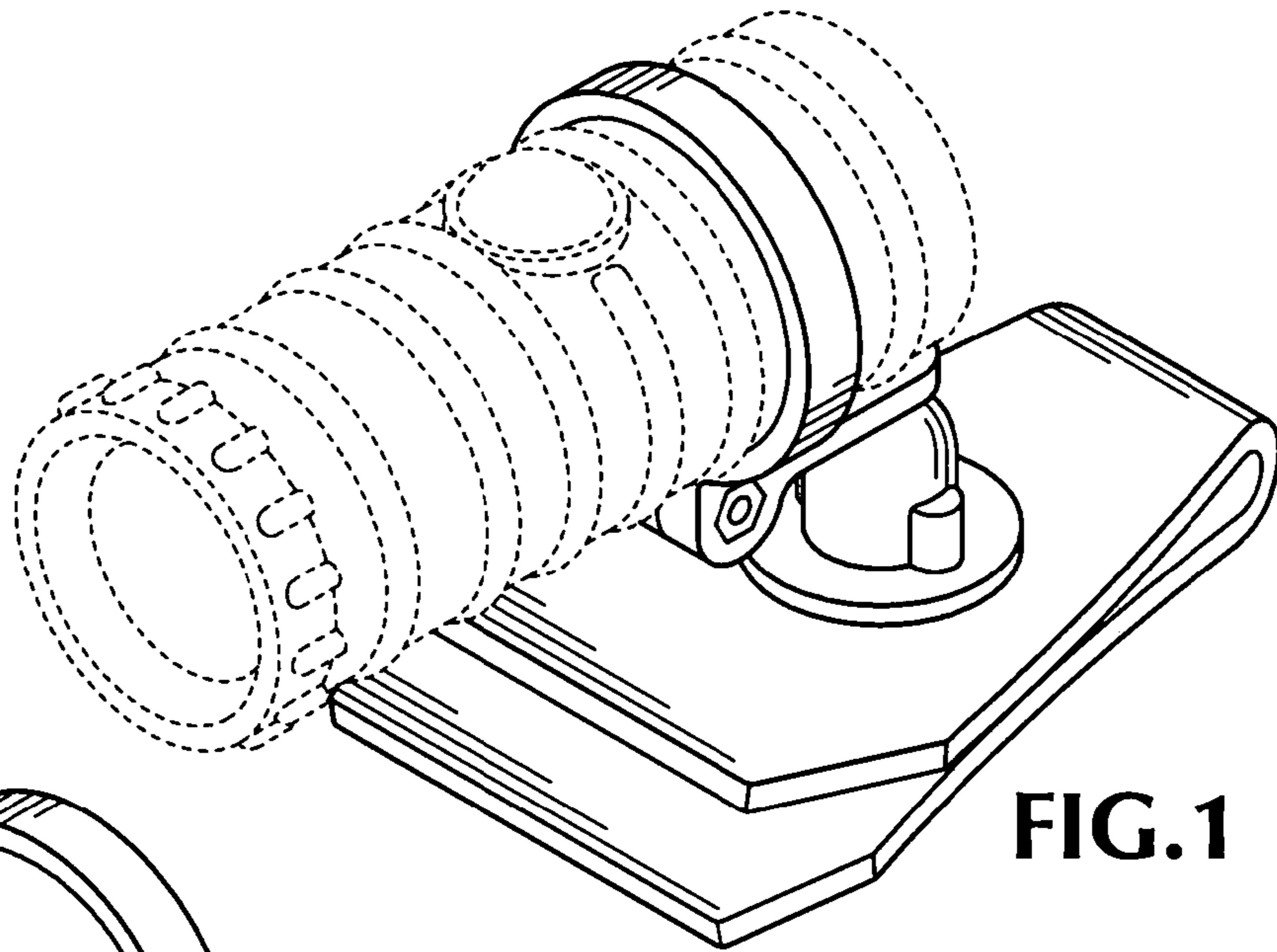
FIG. 7 is a front elevation view of the design of FIG. 1; and,

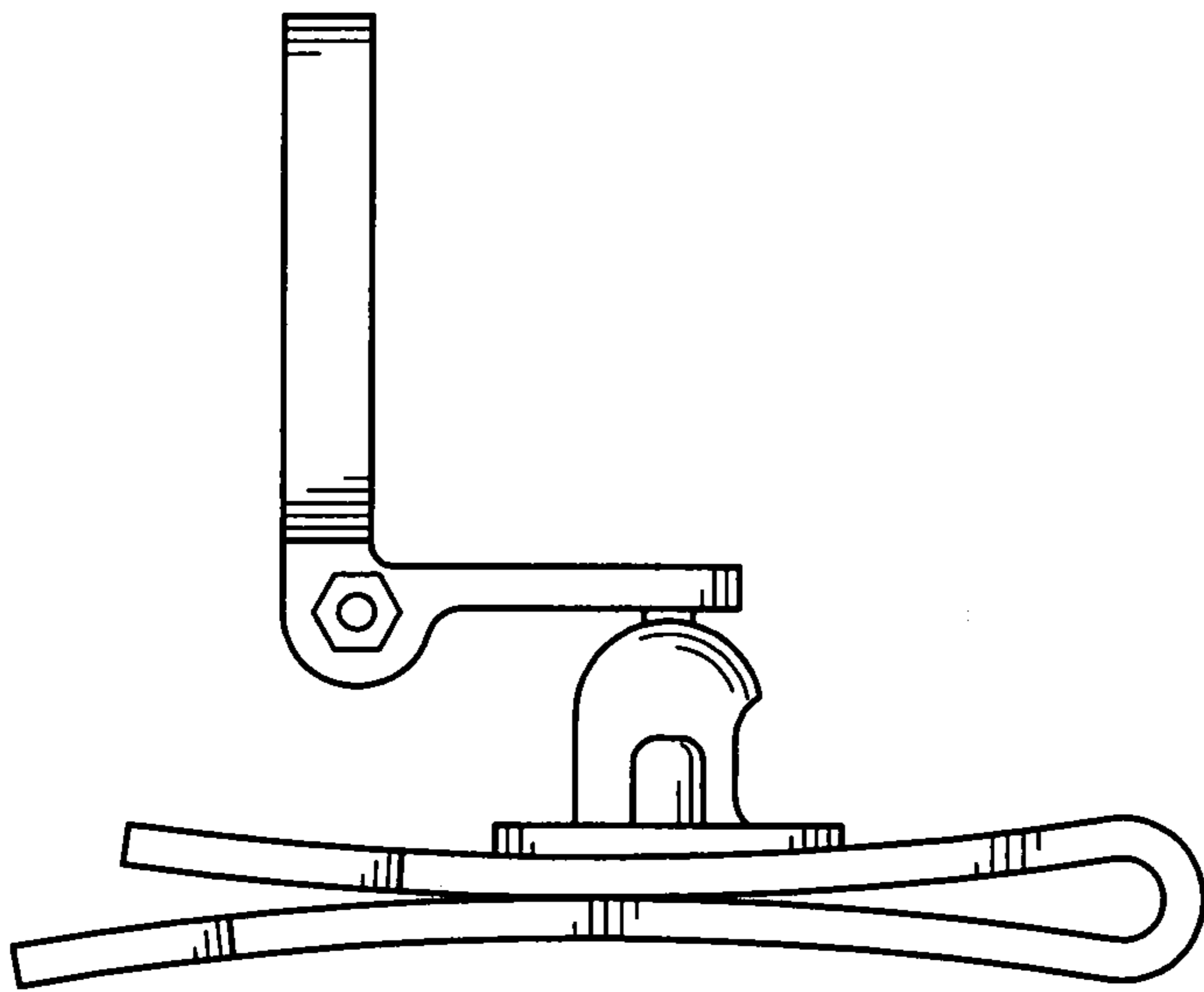
FIG. 8 is a rear elevation view of the design of FIG. 1.

The broken lines shown in the drawings are included for the purpose of illustrating environmental structure and form no part of the claimed design.

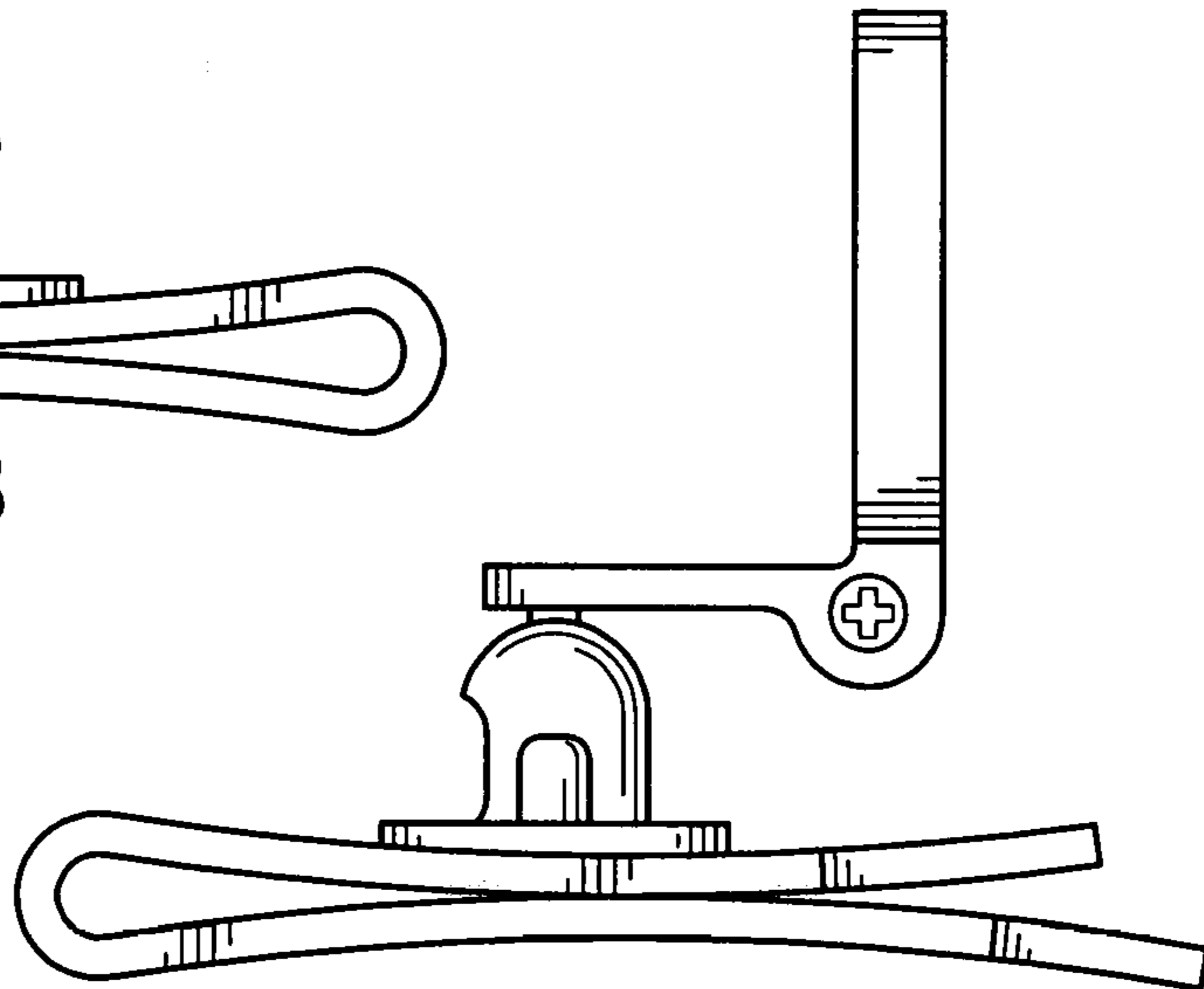
**1 Claim, 2 Drawing Sheets**



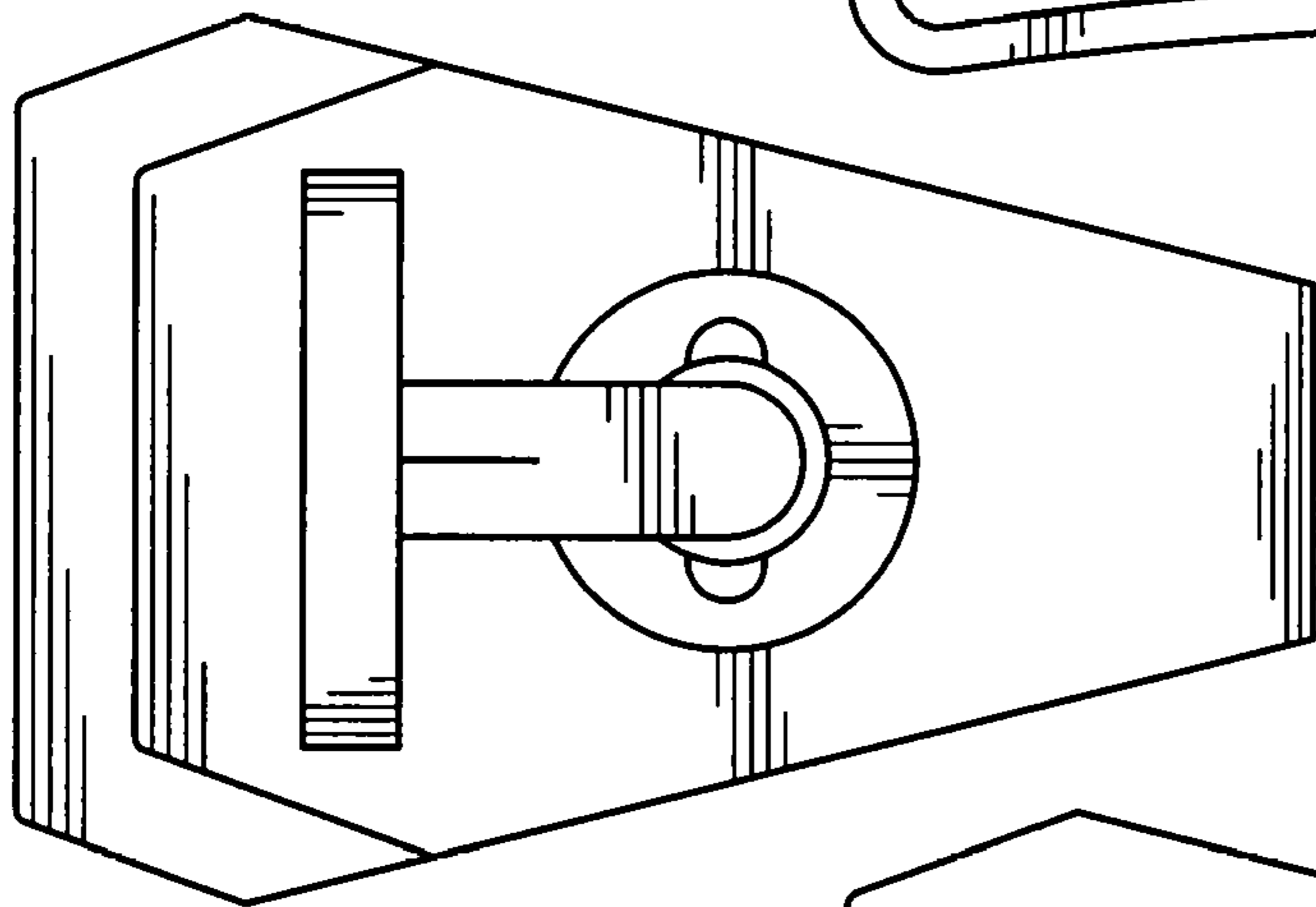




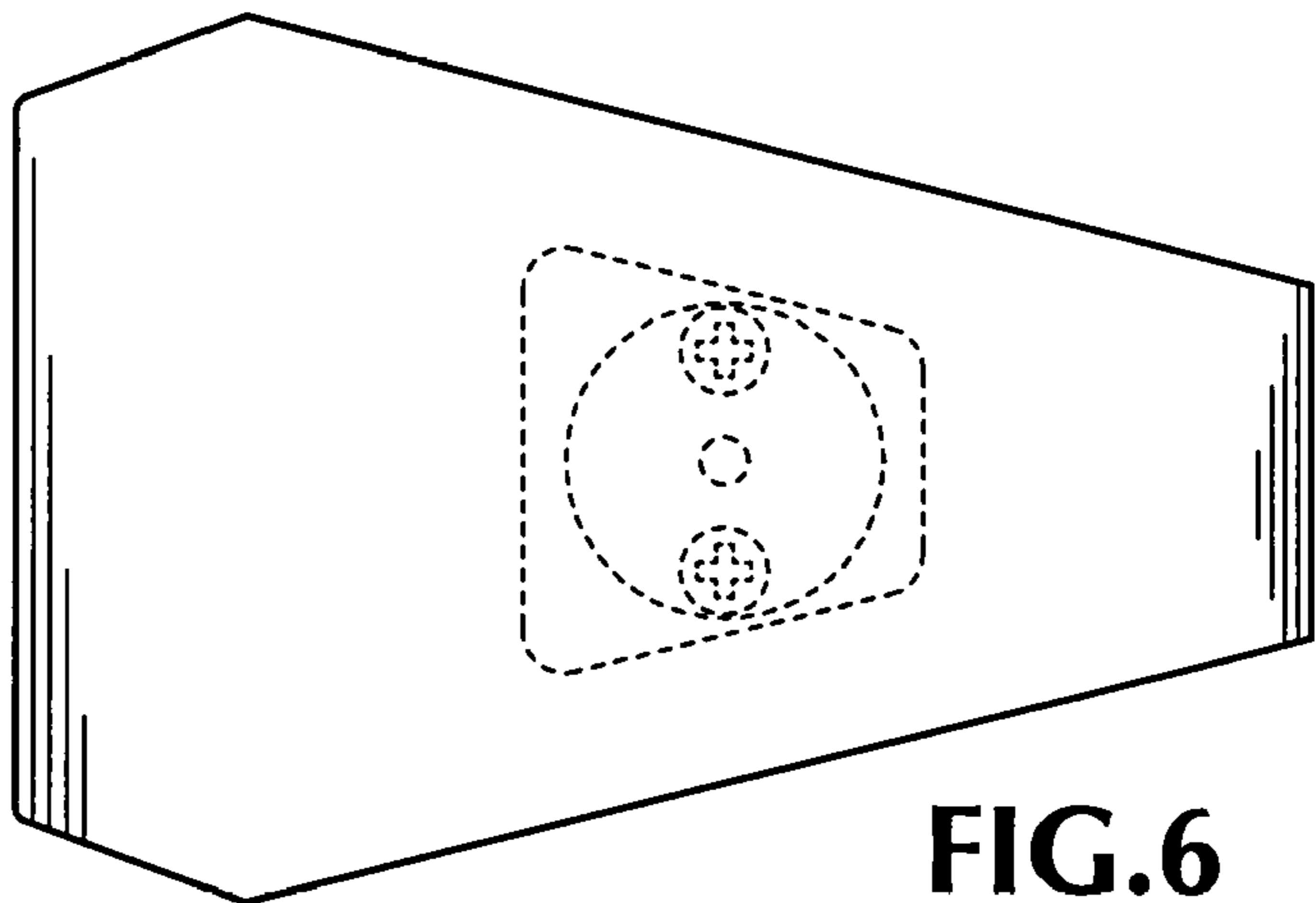
**FIG. 3**



**FIG. 4**



**FIG. 5**



**FIG. 6**