



US00D614343S

(12) **United States Design Patent**  
**Chiu**

(10) **Patent No.:** **US D614,343 S**

(45) **Date of Patent:** **\*\* Apr. 20, 2010**

(54) **LAMP**

(75) Inventor: **Kam Chiu**, Toronto (CA)

(73) Assignee: **Glow Lighting, Inc.**, Markham (CA)

(\*\*) Term: **14 Years**

(21) Appl. No.: **29/332,449**

(22) Filed: **Feb. 17, 2009**

(30) **Foreign Application Priority Data**

Oct. 28, 2008 (CA) ..... 128318

(51) **LOC (9) Cl.** ..... **26-03**

(52) **U.S. Cl.** ..... **D26/93**

(58) **Field of Classification Search** ..... D26/1,  
D26/24, 58, 6, 93-94, 104-107; 362/3, 153,  
362/186, 217, 255, 257, 277, 317, 351, 353,  
362/362, 363, 382, 431, 433, 458, 806  
See application file for complete search history.

(56) **References Cited**

**U.S. PATENT DOCUMENTS**

- D255,390 S \* 6/1980 Morrison ..... D26/105
- D263,762 S \* 4/1982 Franzblau ..... D26/93
- D281,279 S \* 11/1985 Perkins ..... D26/93
- D291,012 S \* 7/1987 Liljeqvist ..... D26/104
- D294,978 S \* 3/1988 Wolf ..... D26/93
- D345,024 S \* 3/1994 Fox ..... D26/58
- D354,582 S \* 1/1995 Stromberg ..... D26/106

- D368,547 S \* 4/1996 Chen ..... D26/93
- D397,208 S \* 8/1998 Dan ..... D26/104
- D498,324 S \* 11/2004 Dolan ..... D26/106
- D528,695 S \* 9/2006 Salatto-Rose ..... D26/93
- D544,632 S \* 6/2007 Yando et al. .... D26/93
- D581,577 S \* 11/2008 Baldele ..... D26/104
- D586,938 S \* 2/2009 Klein ..... D26/104
- D589,203 S \* 3/2009 Sabernig ..... D26/104
- D595,008 S \* 6/2009 Starck ..... D26/93

\* cited by examiner

*Primary Examiner*—Brian N Vinson

(74) *Attorney, Agent, or Firm*—Jaeckle Fleischmann & Mugel, LLP

(57) **CLAIM**

The ornamental design for a lamp, as shown and described.

**DESCRIPTION**

FIG. 1 is a top and front perspective view of a lamp showing a first embodiment of my new design;

FIG. 2 is a front elevational view thereof;

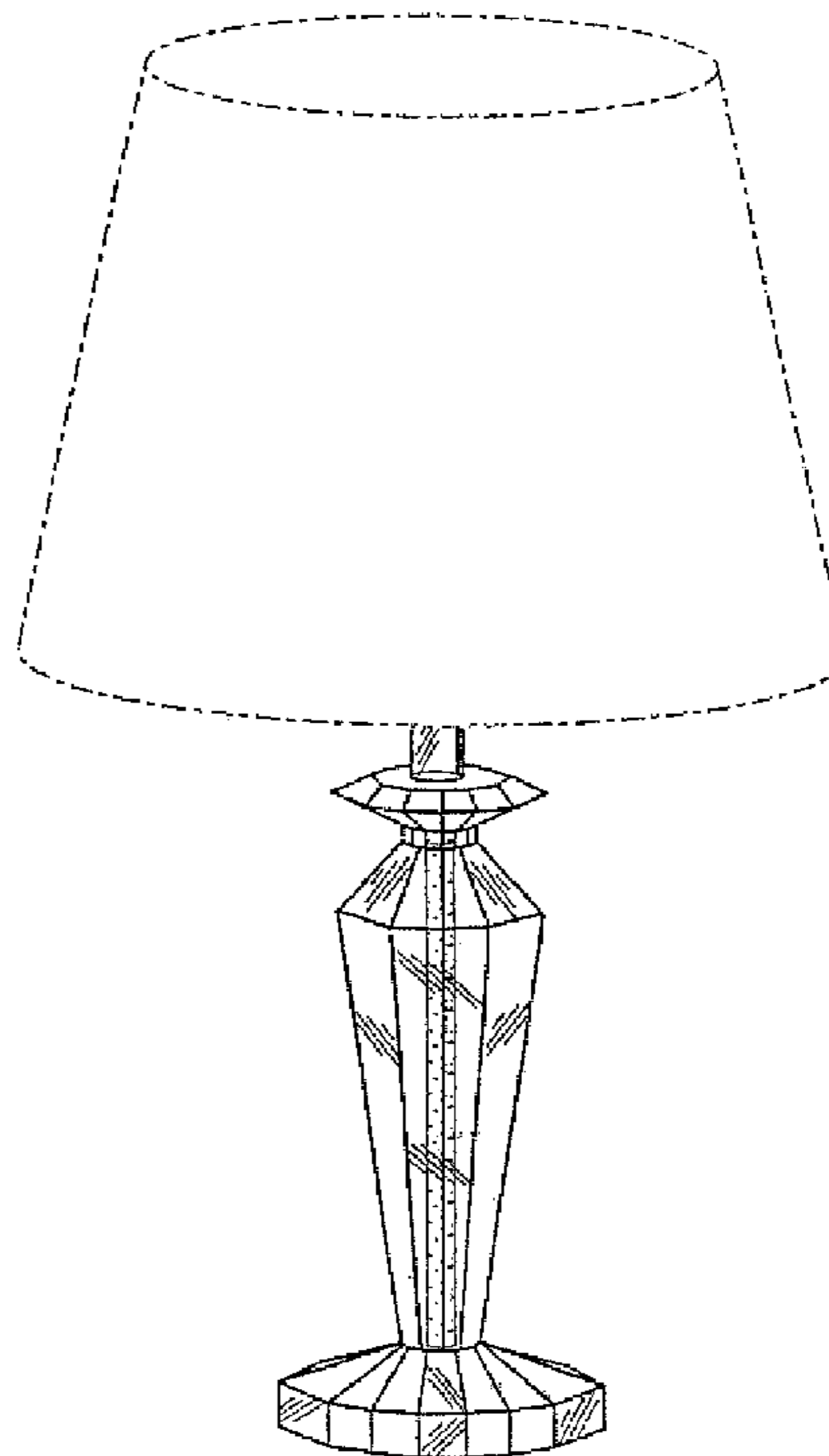
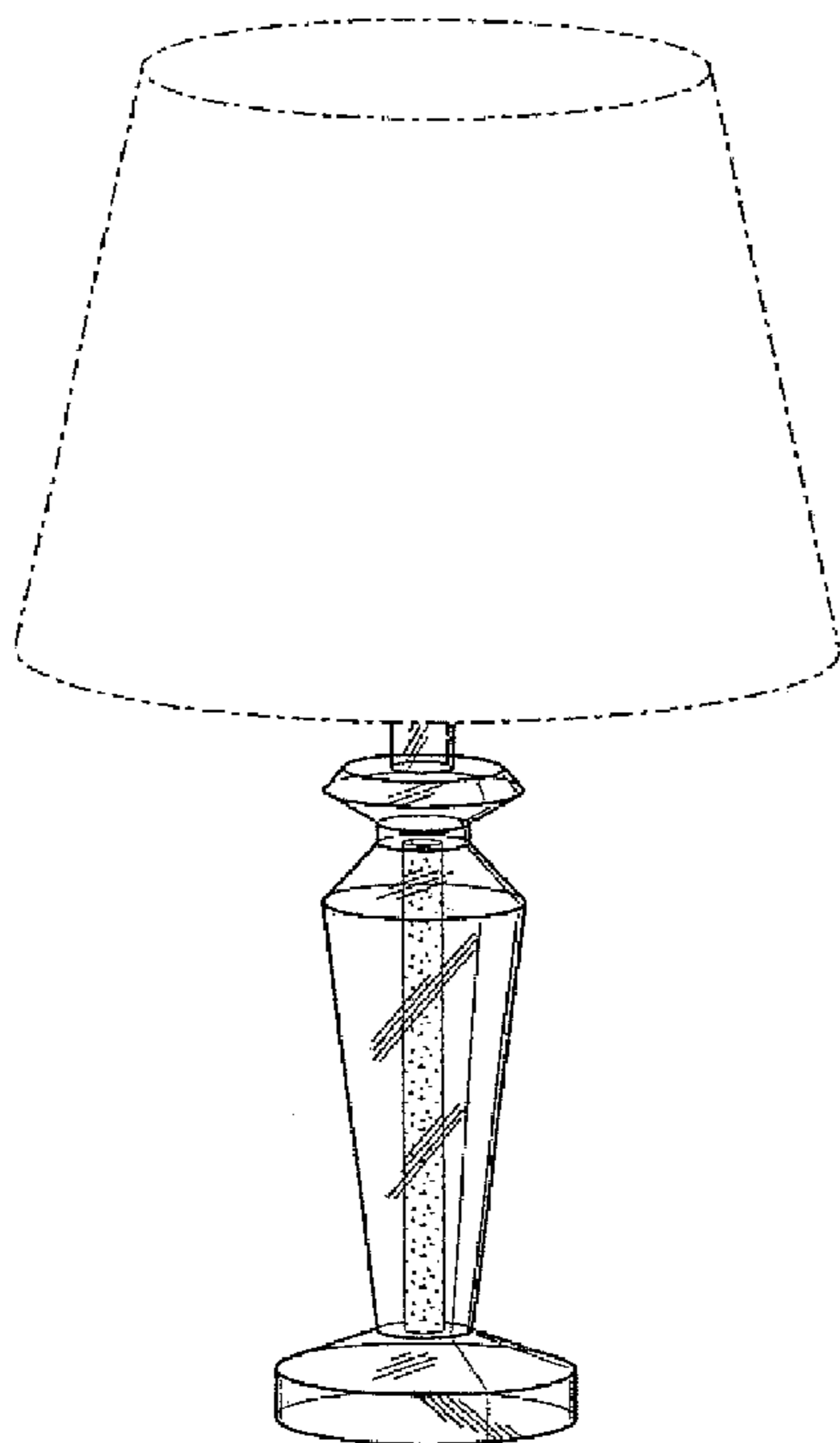
FIG. 3 is top plan view thereof;

FIG. 4 is a bottom plan view thereof; and,

FIG. 5 is a top and front perspective view of a lamp showing a second embodiment of my new design.

The broken-line disclosure in the views is understood to represent a portion of the article in which the claimed design is embodied, but which forms no part of the claimed design.

**1 Claim, 3 Drawing Sheets**



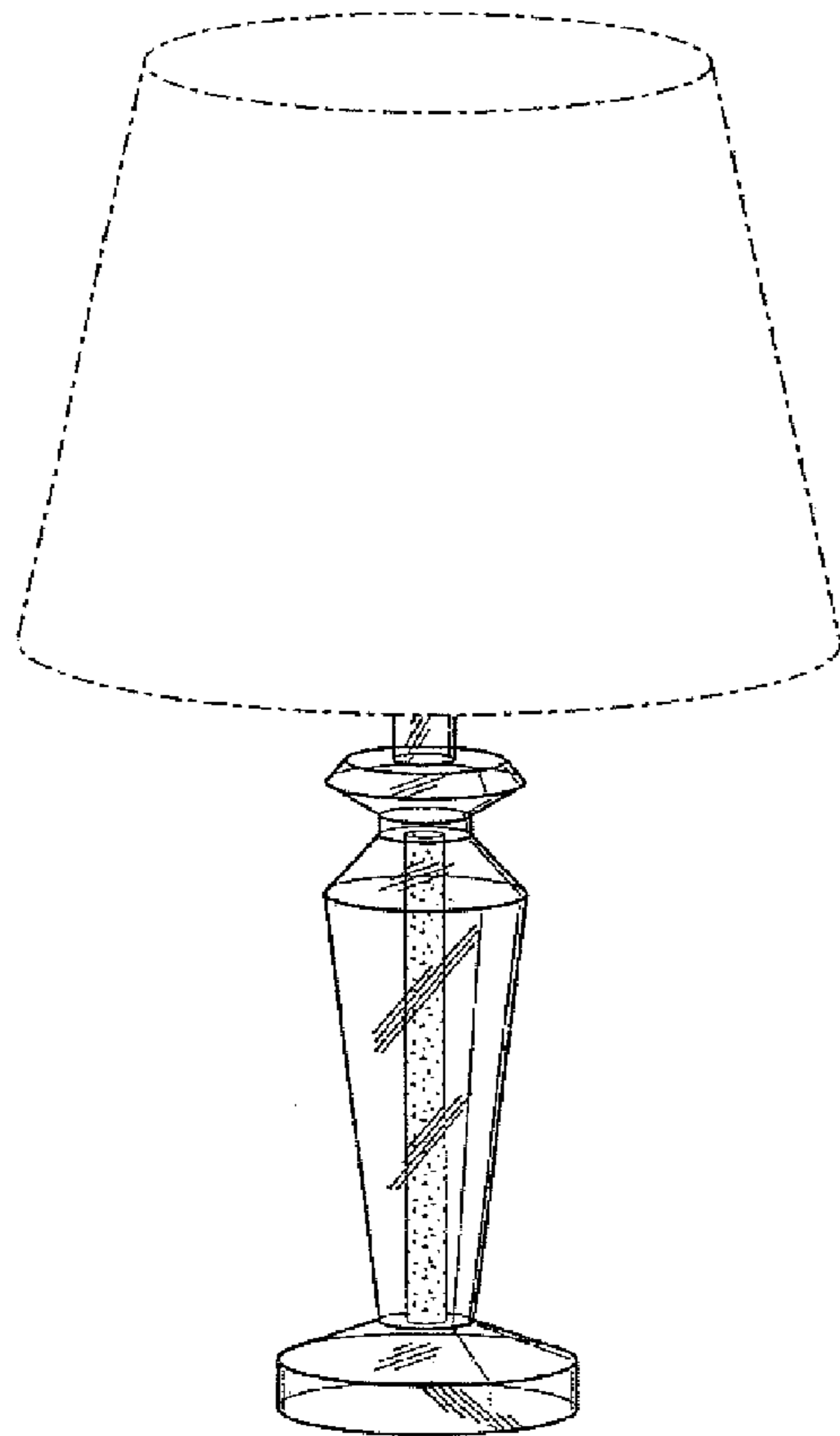


Fig. 1

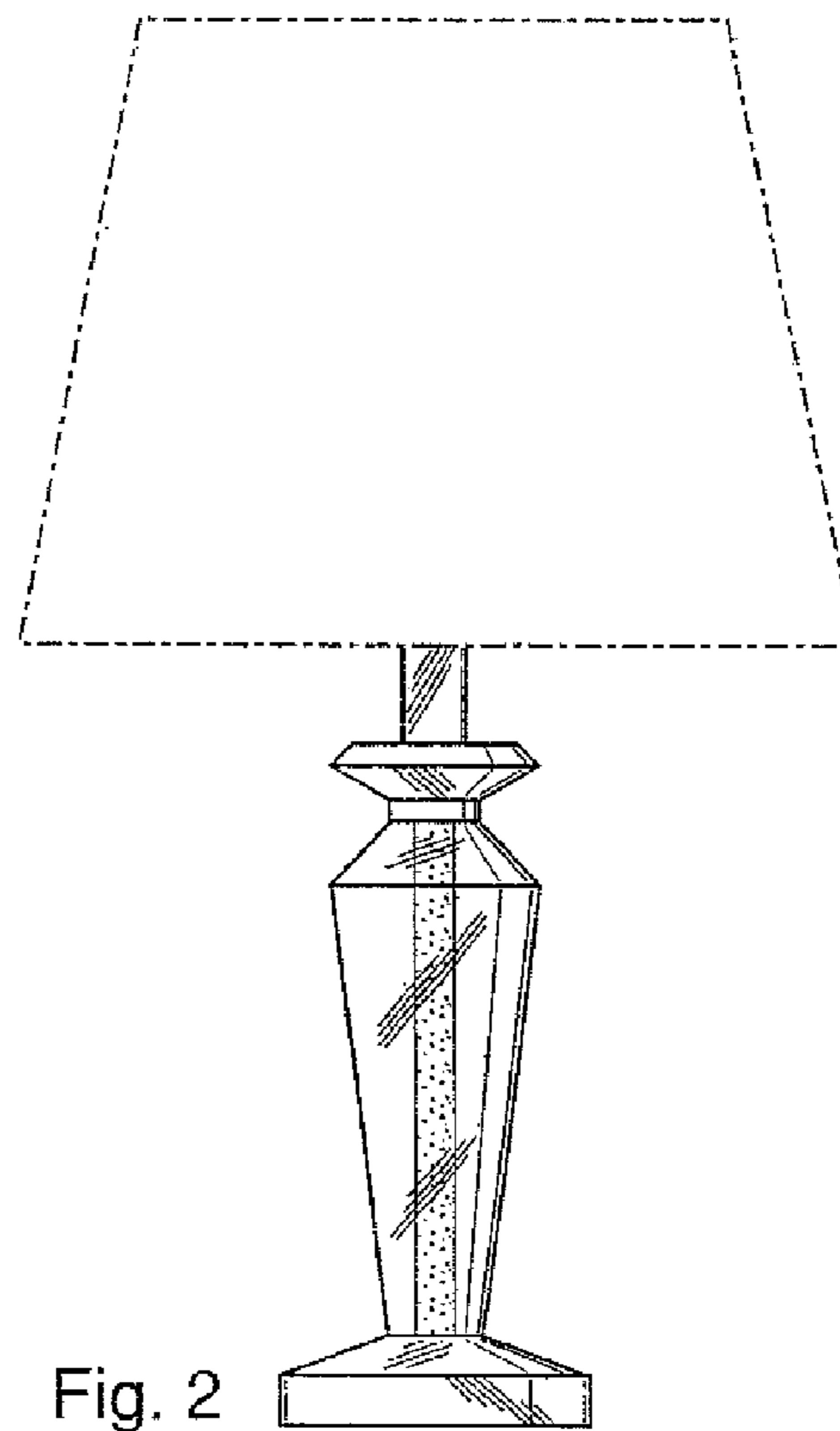


Fig. 2

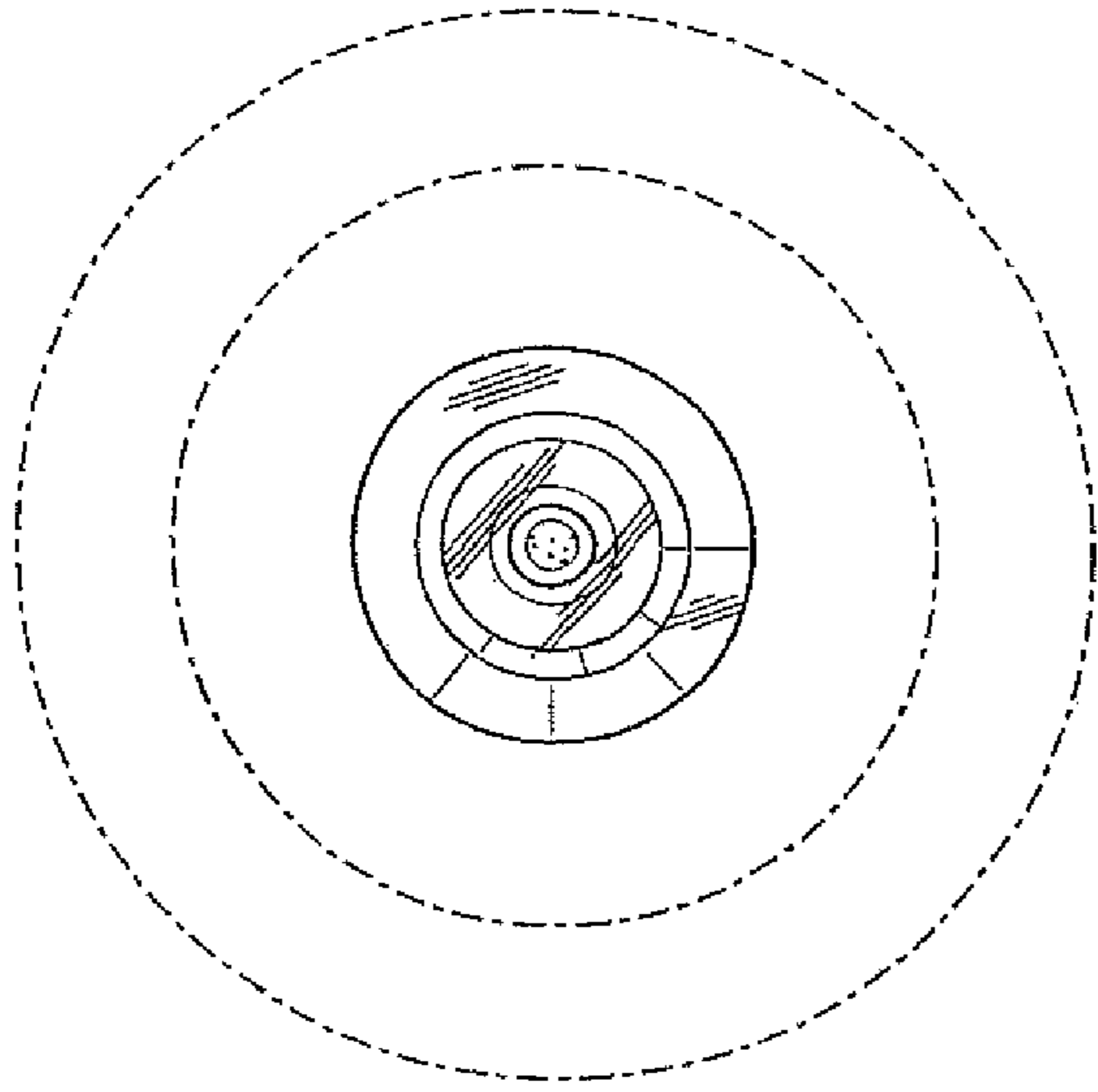


Fig.3

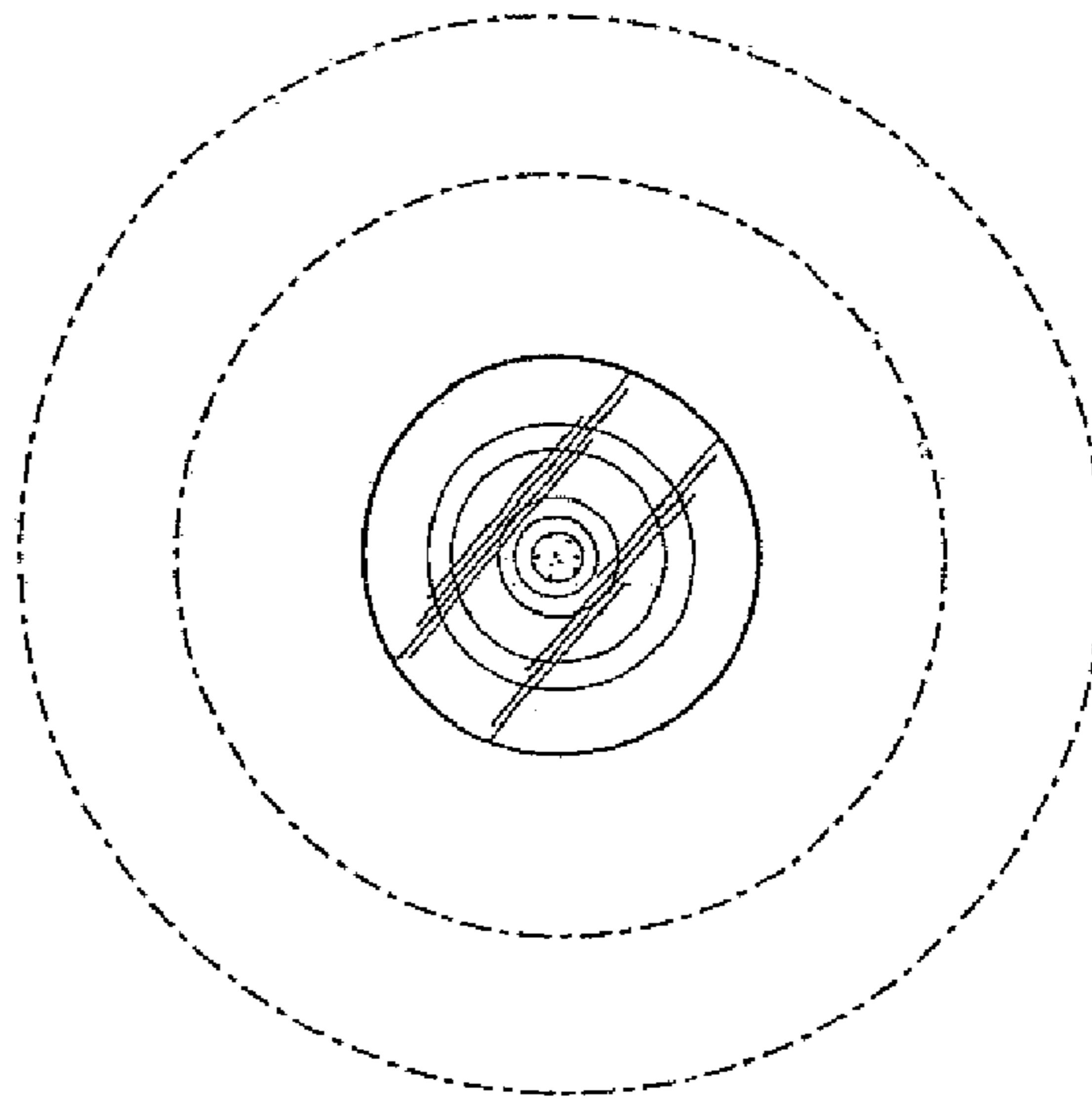


Fig. 4

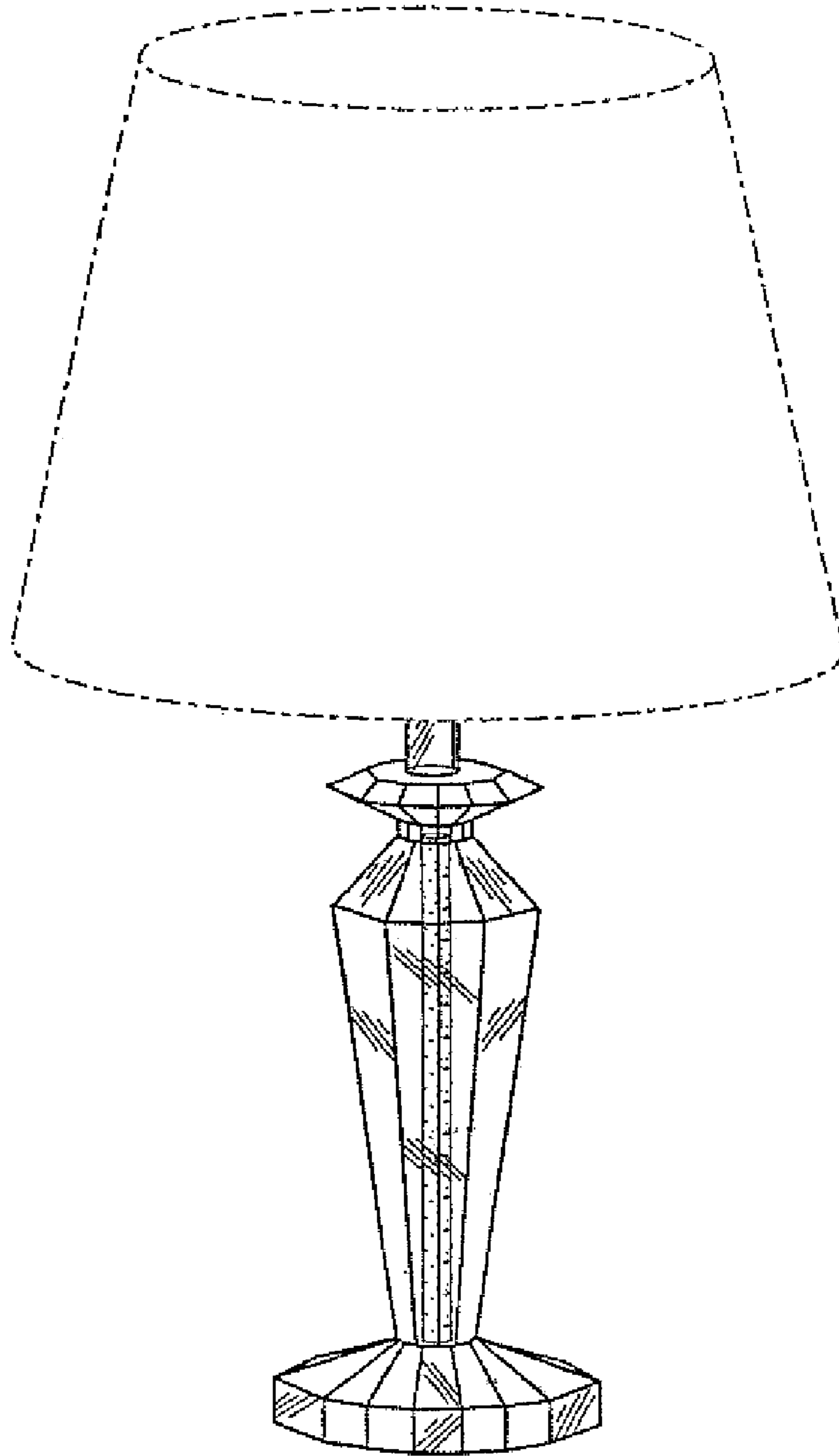


Fig.5