



US00D614342S

(12) **United States Design Patent**
Sebastian Pastor

(10) **Patent No.:** **US D614,342 S**

(45) **Date of Patent:** **** Apr. 20, 2010**

(54) **LIGHTING ELEMENT**

(76) **Inventor:** **Juan Sebastian Pastor**, Pol. Industrial
Los Vientos, Cl Alisio, Parcela 4,
Naquera, Valencia, Valencia (ES) 46119

(**) **Term:** **14 Years**

(21) **Appl. No.:** **29/329,016**

(22) **Filed:** **Dec. 6, 2008**

(51) **LOC (9) Cl.** **26-03**

(52) **U.S. Cl.** **D26/93**

(58) **Field of Classification Search** D26/1,
D26/24, 67, 31, 72, 8, 93-94, 101, 104-110,
D26/113; 362/3, 153, 186, 217, 255, 257,
362/277, 317, 351, 353, 362, 363, 382, 431,
362/433, 458, 806

See application file for complete search history.

(56) **References Cited**

U.S. PATENT DOCUMENTS

D386,801 S *	11/1997	Orgovan	D26/31
D491,686 S *	6/2004	Citterio	D26/72
D565,229 S *	3/2008	Haugaard et al.	D26/72
D585,580 S *	1/2009	Riffel et al.	D26/72
D595,447 S *	6/2009	Purcell	D26/85

* cited by examiner

Primary Examiner—Brian N Vinson

(74) *Attorney, Agent, or Firm*—Eric Hanscom; Todd J. Langford

(57) **CLAIM**

The ornamental design for lighting element, as shown.

DESCRIPTION

FIG. 1 is a perspective view of a lighting element, showing my new design;

FIG. 2 is a front view thereof;

FIG. 3 is a left-side view thereof;

FIG. 4 is a back view thereof;

FIG. 5 is a right side view thereof;

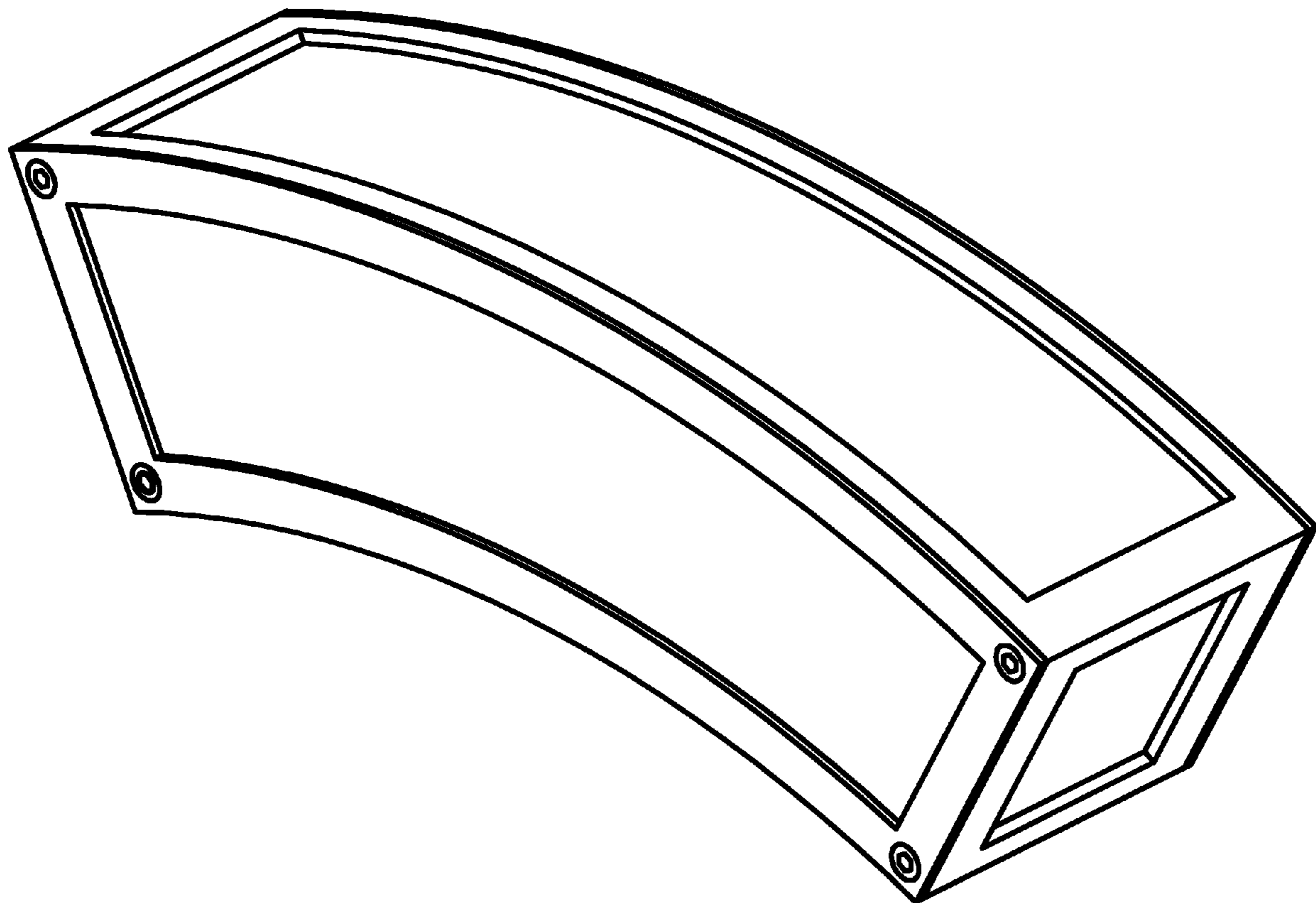
FIG. 6 is a bottom view thereof; and,

FIG. 7 is a top view thereof.

The application relates to the design of a lighting element. The lighting element is in the shape of a rectangle that has been bent to have a curve. The edges of the lighting element have a rim that is distinct from the central area of each face. The lighting element is a free standing light.

The unique design and appearance of this device are illustrated in the drawings.

1 Claim, 7 Drawing Sheets



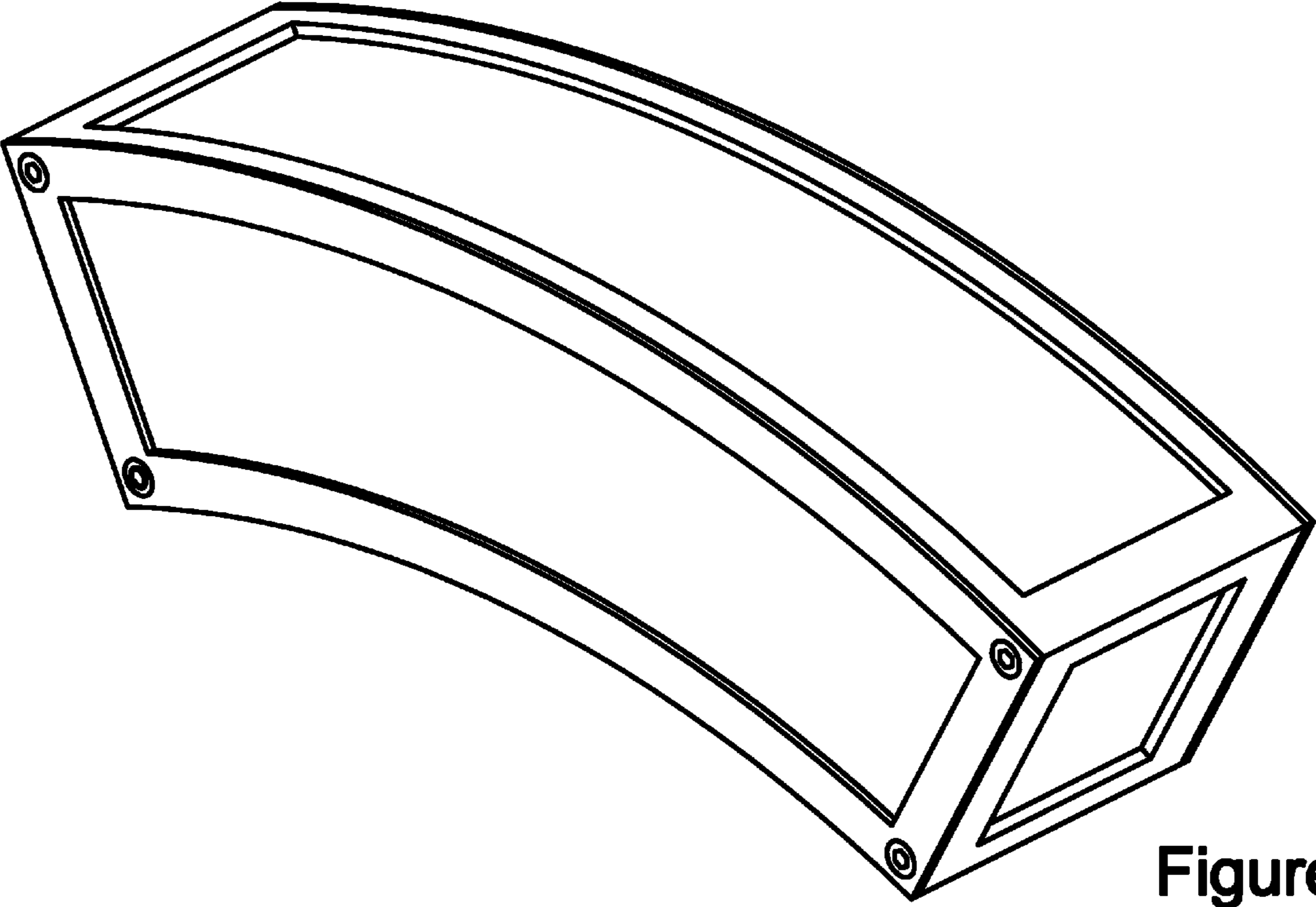


Figure:1

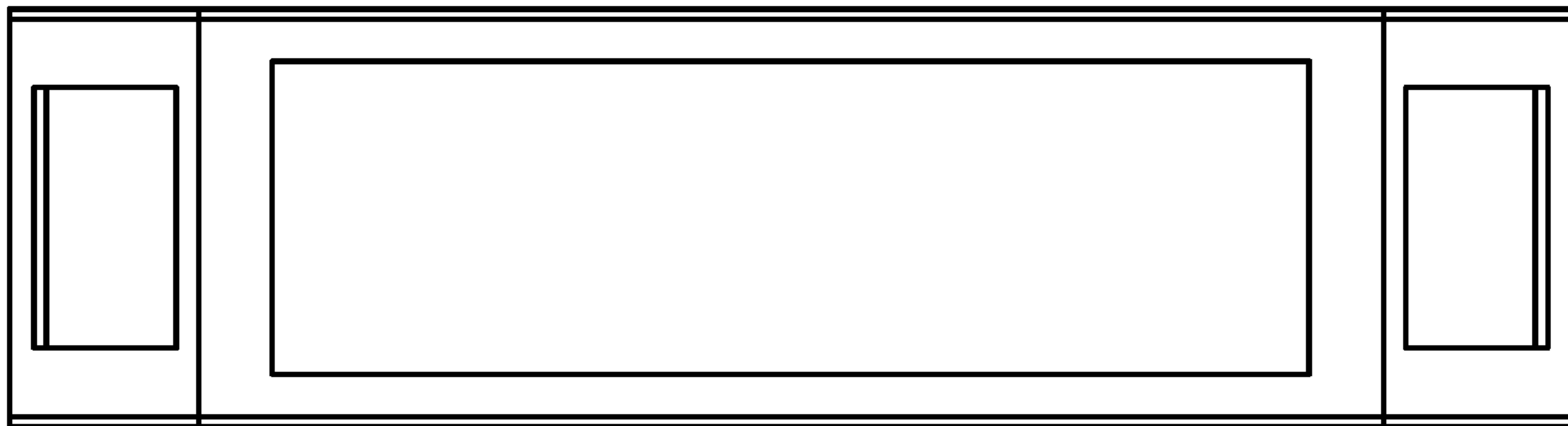


Figure:2

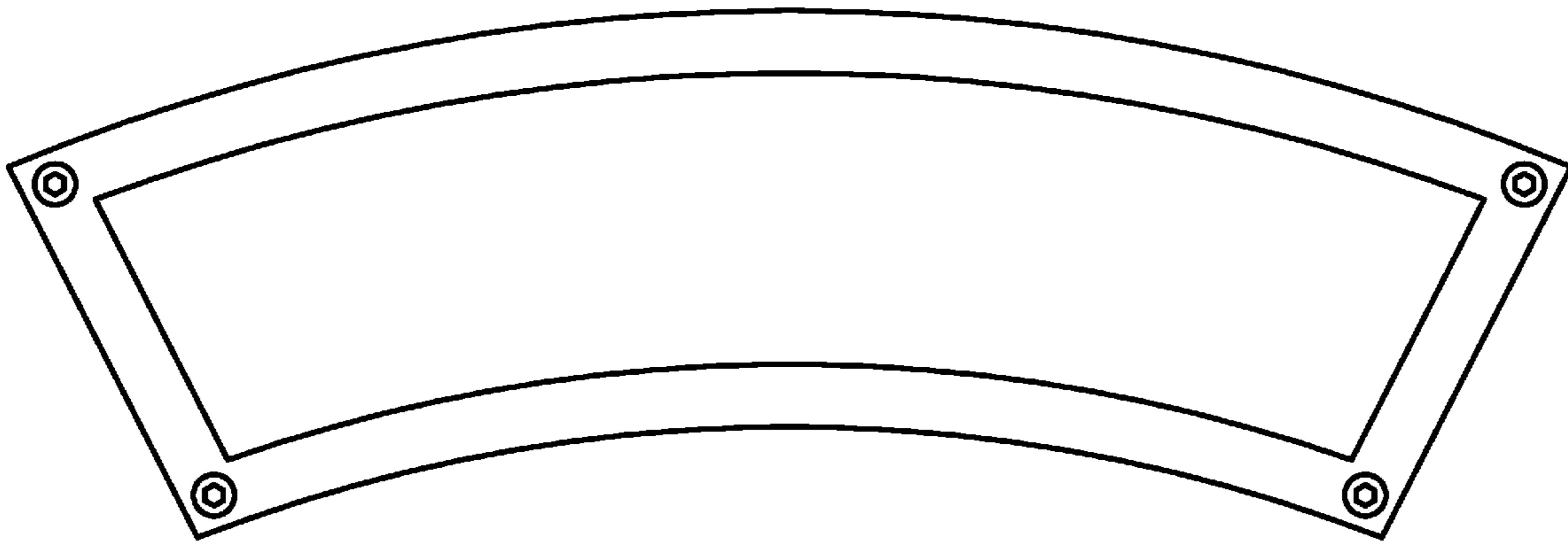


Figure:3

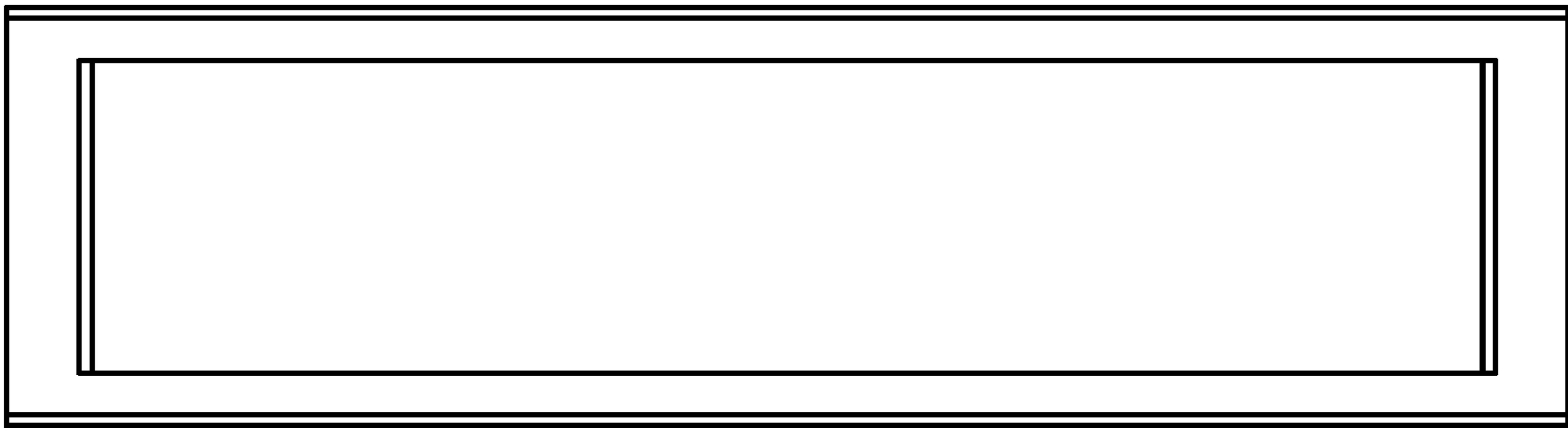


Figure:4

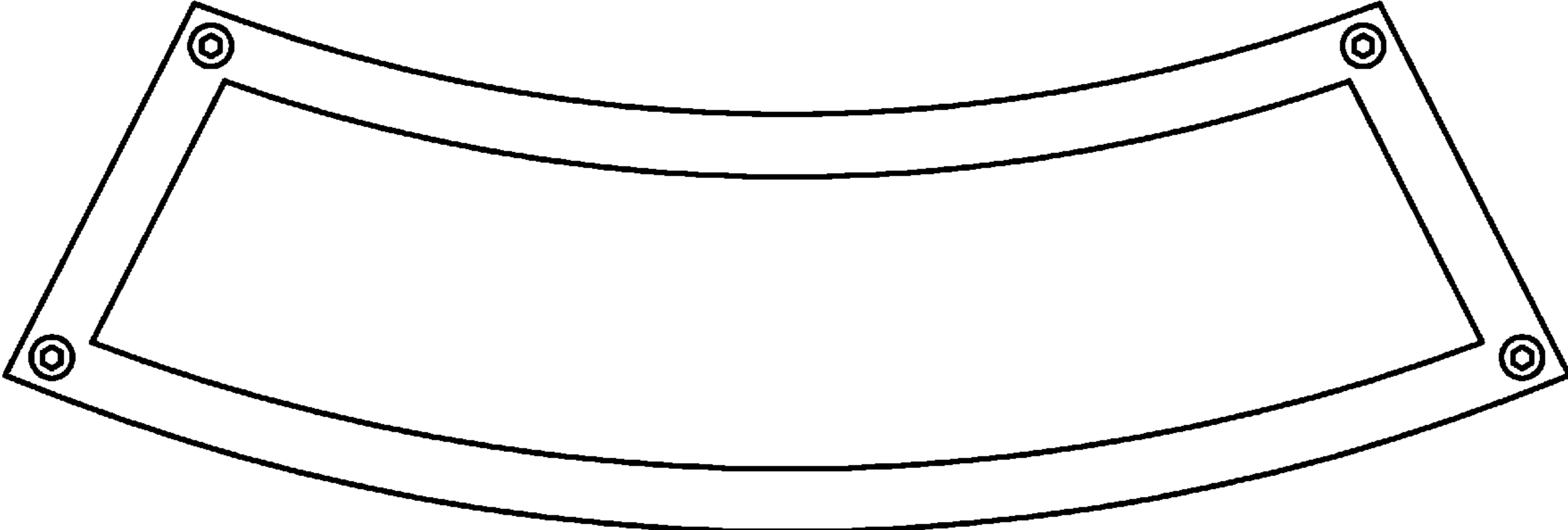


Figure:5

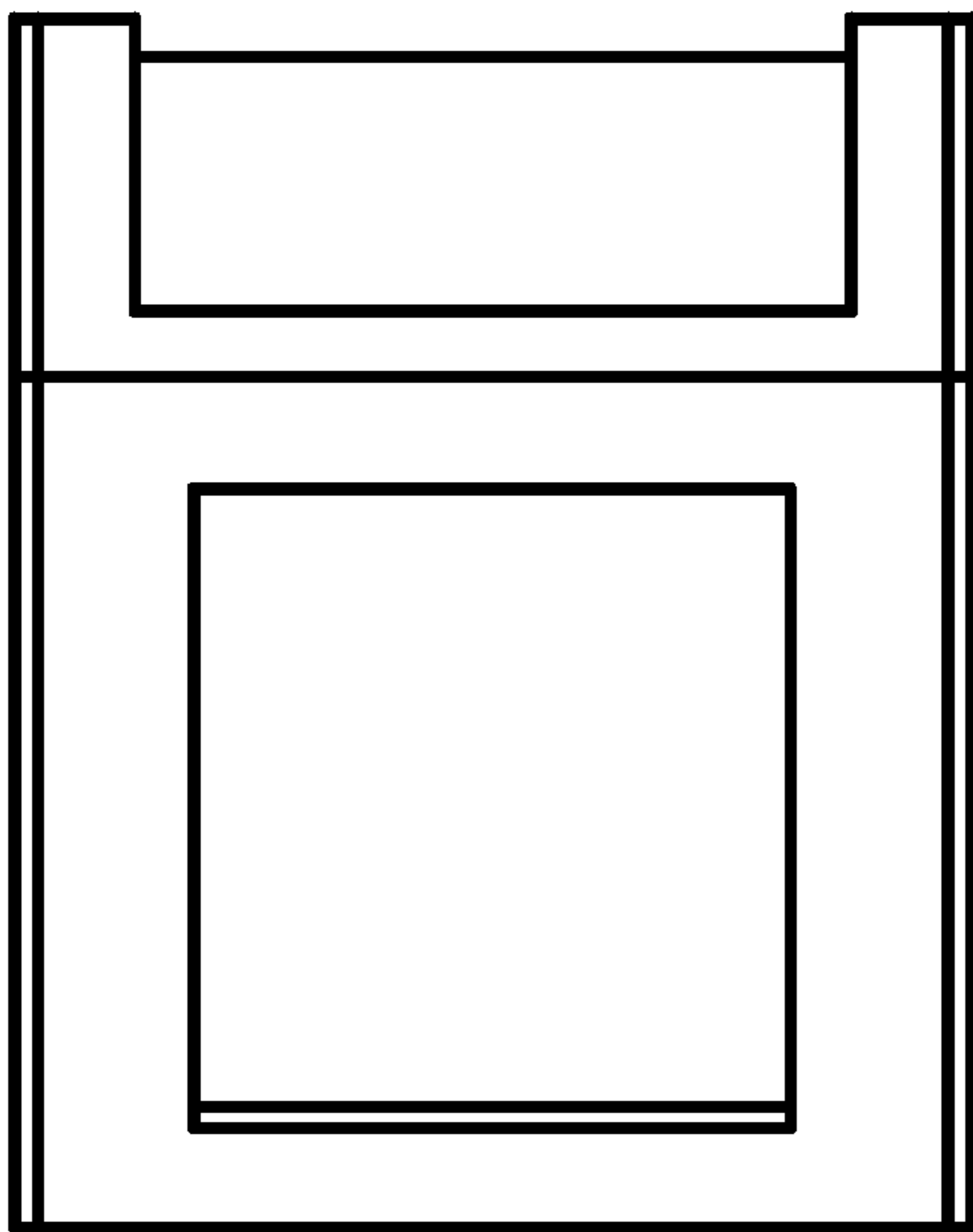


Figure:6

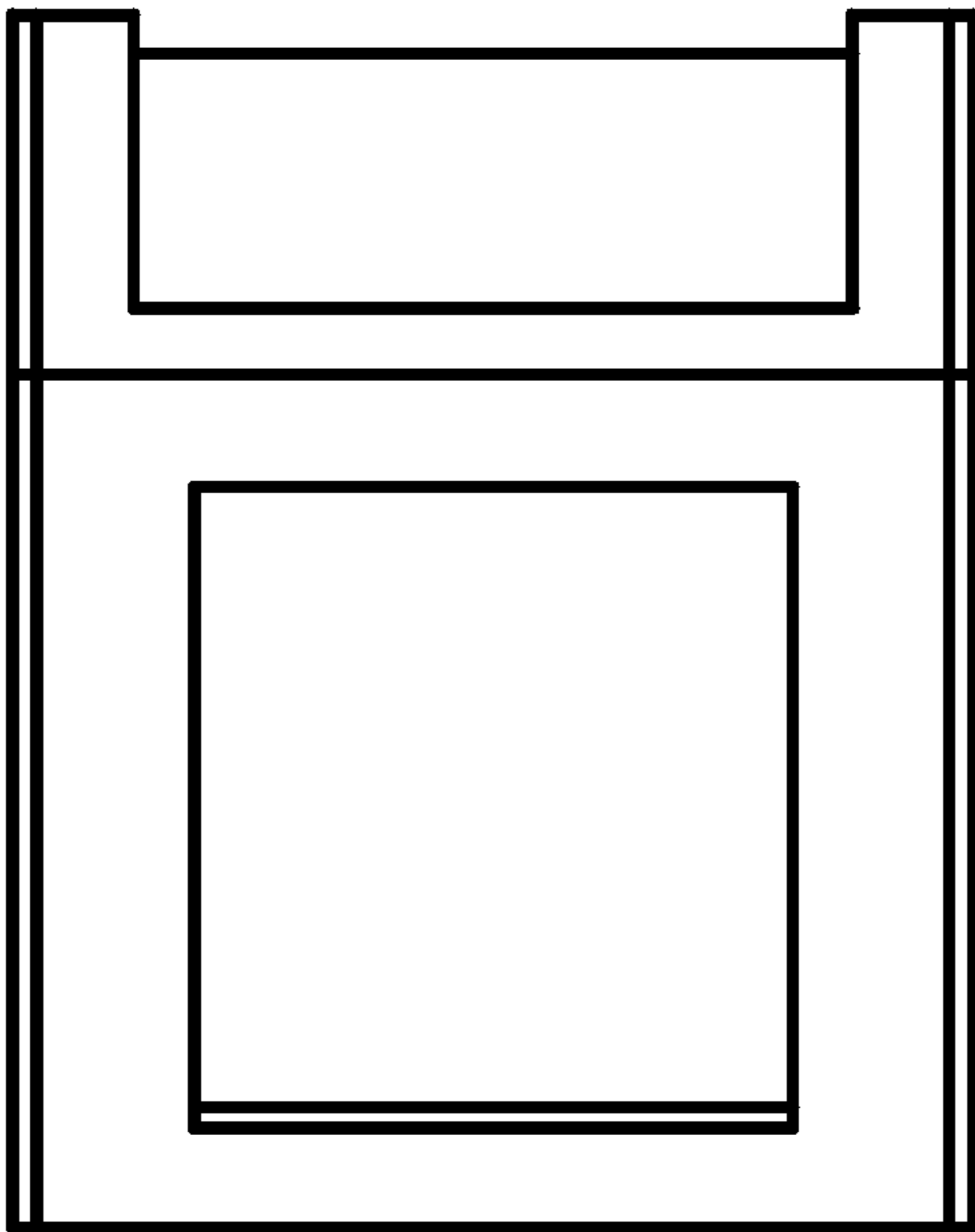


Figure:7