



US00D614339S

(12) **United States Design Patent**  
**Behar et al.**

(10) **Patent No.:** **US D614,339 S**  
(45) **Date of Patent:** **\*\* Apr. 20, 2010**

(54) **LIGHT**

(75) Inventors: **Yves Behar**, San Francisco, CA (US);  
**Christopher N. Hibmacronan**,  
Oakland, CA (US); **Bret Recor**, San  
Francisco, CA (US)

(73) Assignee: **Herman Miller, Inc.**, Zeeland, MI (US)

(\*\*) Term: **14 Years**

(21) Appl. No.: **29/315,196**

(22) Filed: **Jun. 3, 2009**

(51) **LOC (9) Cl.** ..... **26-03**

(52) **U.S. Cl.** ..... **D26/76; D26/78**

(58) **Field of Classification Search** ..... D26/3,  
D26/26, 37, 67, 72, 74-79, 80, 85, 104, 108-109,  
D26/118, 120, 122, 134; 362/147-148, 150,  
362/217-225, 132, 260, 262-264, 267, 294,  
362/345, 362, 364, 373, 376, 440, 647  
See application file for complete search history.

(56) **References Cited**

**U.S. PATENT DOCUMENTS**

D138,370 S *	7/1944	Bradley	.....	D26/78
D149,449 S *	4/1948	Schwartz et al.	.....	D26/78
D162,744 S *	4/1951	McCann	.....	D26/78
D240,549 S *	7/1976	Eftekhar	.....	D26/78
D295,329 S *	4/1988	Roos et al.	.....	D26/75
D330,779 S *	11/1992	Dieperink et al.	.....	D26/84
D332,502 S *	1/1993	Roos	.....	D26/78
D336,352 S *	6/1993	Dieperink et al.	.....	D26/76
D381,734 S *	7/1997	Murphy	.....	D22/134
D396,122 S *	7/1998	Noh	.....	D26/76
D438,326 S *	2/2001	Kan	.....	D26/76

D459,516 S *	6/2002	Demers et al.	.....	D26/75
D496,122 S *	9/2004	Kan	.....	D26/76
D521,676 S *	5/2006	Richner	.....	D26/78
D526,737 S *	8/2006	Noh	.....	D26/78

(Continued)

**OTHER PUBLICATIONS**

Philips Color Kinetics, "eW Cover Powercore," brochure © 2009, 12 pages.

*Primary Examiner*—Philip S Hyder

*Assistant Examiner*—Susan E Krakower

(74) *Attorney, Agent, or Firm*—Brinks Hofer Gilson & Lione

(57) **CLAIM**

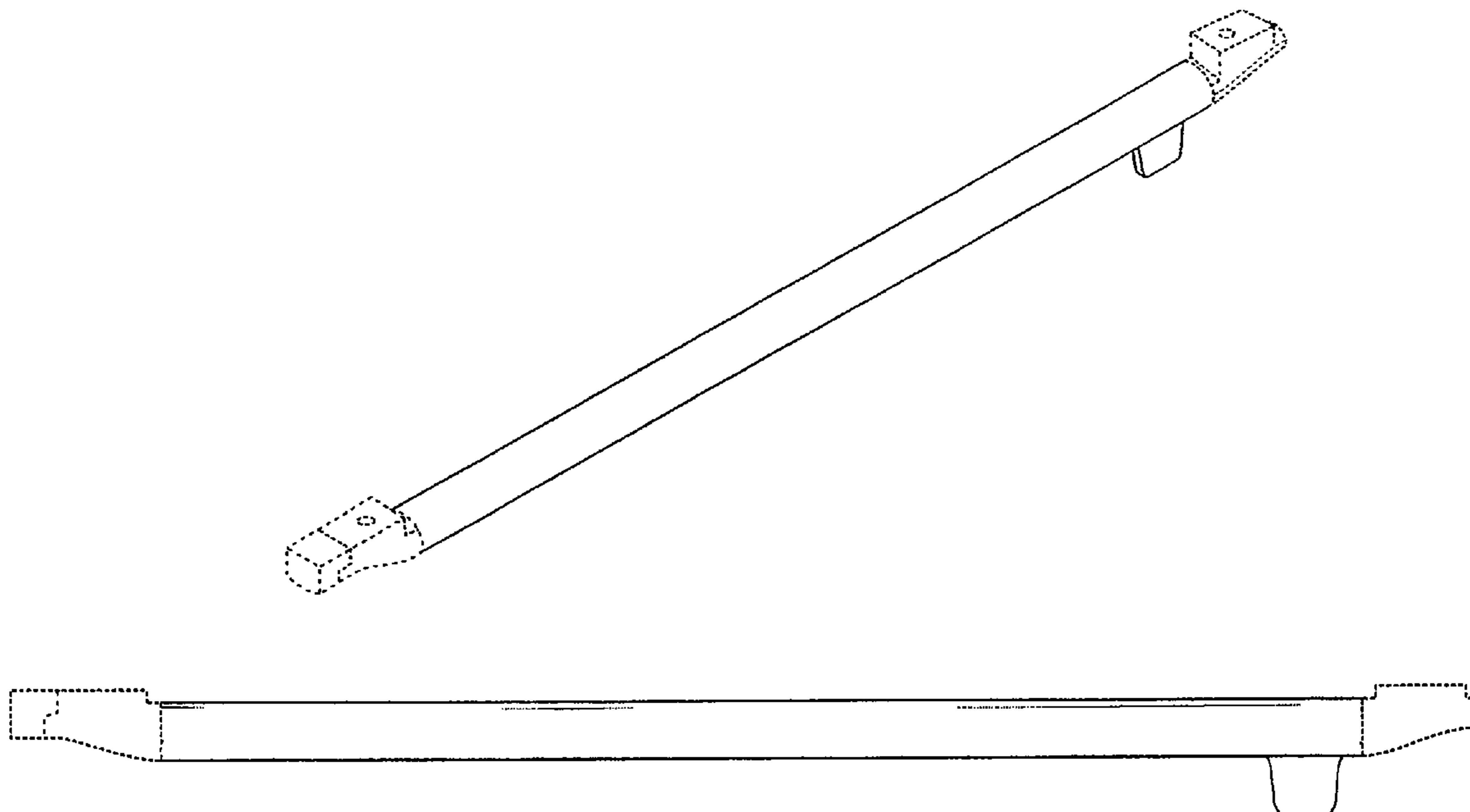
The ornamental design for a light, as shown and described.

**DESCRIPTION**

FIG. 1 is a bottom perspective view of a light;  
FIG. 2 is a top perspective view of the light shown in FIG. 1;  
FIG. 3 is a right side view of the light shown in FIG. 1;  
FIG. 4 is a left side view of the light shown in FIG. 1;  
FIG. 5 is a top view of the light shown in FIG. 1;  
FIG. 6 is a bottom view of the light shown in FIG. 1;  
FIG. 7 is a front view of the light shown in FIG. 1; and,  
FIG. 8 is a rear view of the light shown in FIG. 1.

The broken lines at the ends of the tubular structure in the embodiment of FIGS. 1-8 represent the bounds of the claimed design, while all other broken lines are for environmental and illustrative purposes only; the broken lines do not form any part of the claimed design.

**1 Claim, 2 Drawing Sheets**



# US D614,339 S

Page 2

---

## U.S. PATENT DOCUMENTS

D554,794 S *	11/2007	Tseng .....	D26/78	D597,686 S *	8/2009	Noh .....	D26/3
D592,349 S *	5/2009	Maxik et al. ....	D26/76	2006/0044841 A1 *	3/2006	Harwood .....	362/647
D594,999 S *	6/2009	Uchida et al. ....	D26/3	* cited by examiner			

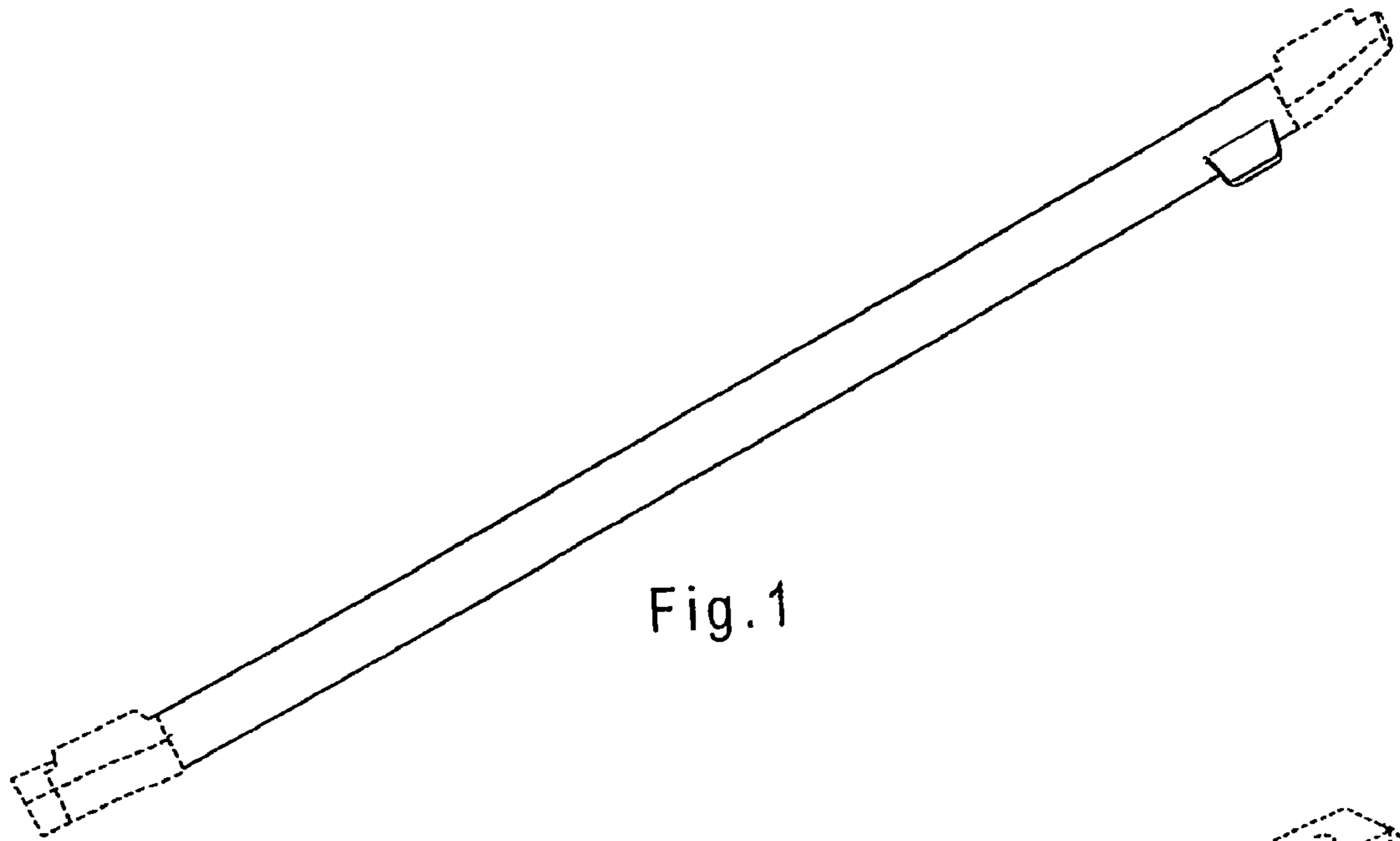


Fig. 1

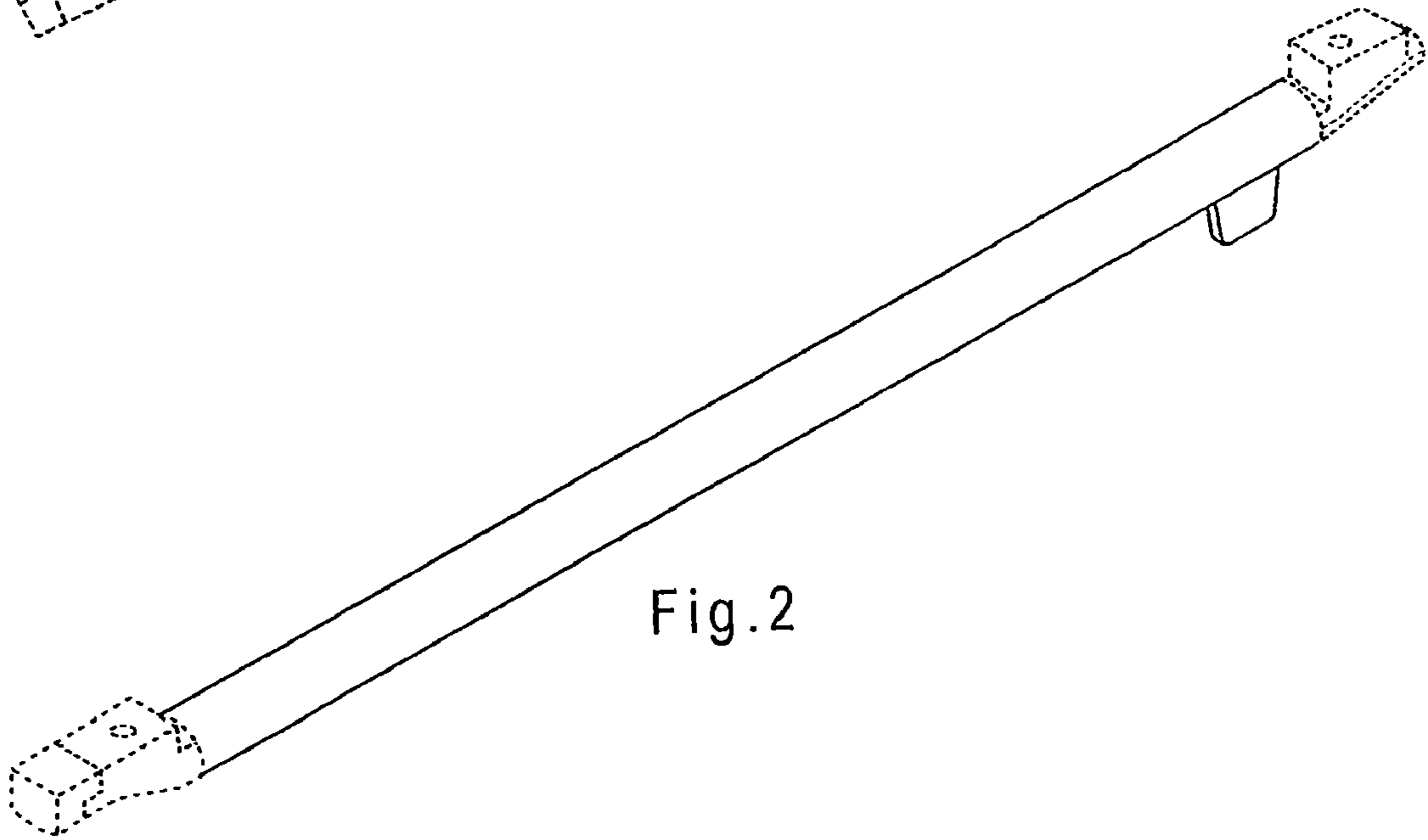


Fig. 2

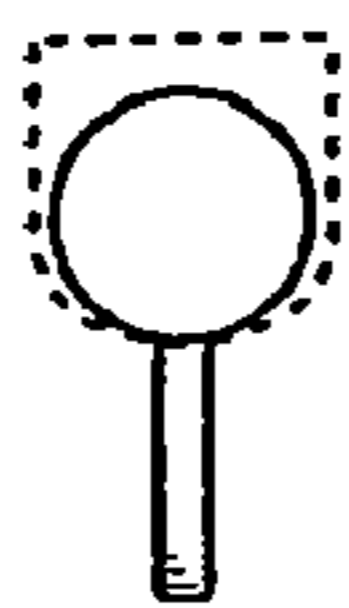


Fig. 3



Fig. 4



Fig. 5

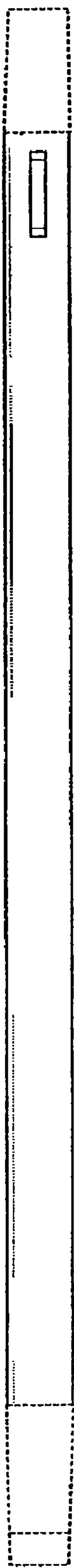


Fig. 6

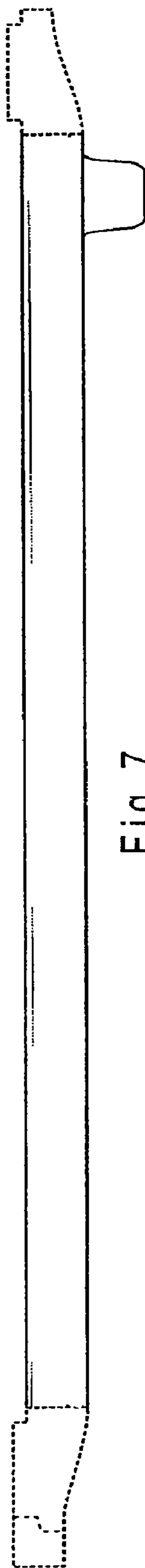


Fig. 7

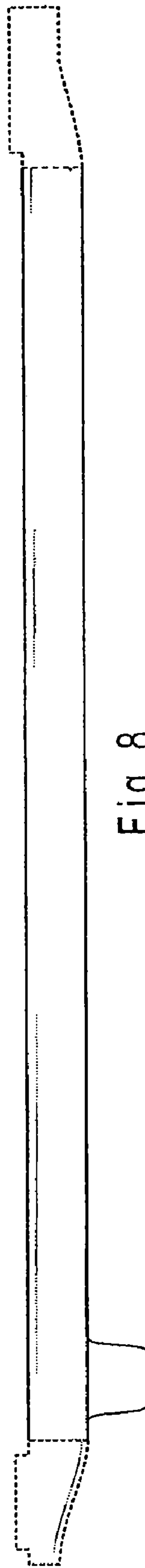


Fig. 8