



US00D614335S

(12) **United States Design Patent**
Cham

(10) **Patent No.:** **US D614,335 S**
(45) **Date of Patent:** **** Apr. 20, 2010**

(54) **MAGNIFIER AND LAMP STAND**

(75) Inventor: **Kin Shing Cham**, Hong Kong SAR (CN)

(73) Assignee: **Great Wall (Optical) Plastic Works Limited**, Hong Kong, SAR (CN)

(**) Term: **14 Years**

(21) Appl. No.: **29/332,713**

(22) Filed: **Feb. 24, 2009**

D411,853 S	7/1999	Cieslikowski	
D423,030 S *	4/2000	Yuen	D16/135
D448,782 S	10/2001	Wright	
6,322,226 B1 *	11/2001	Dickson	362/33
D454,969 S	3/2002	Jacquelin	
D498,322 S	11/2004	Schnell	
D507,372 S	7/2005	Lu	
D508,063 S	8/2005	Yip et al.	
D520,543 S *	5/2006	Welch	D16/131
D538,830 S	3/2007	Yip et al.	
D567,414 S *	4/2008	Schnell	D26/37
7,390,105 B2	6/2008	Nelson et al.	
7,400,459 B2	7/2008	Welch	
D588,737 S *	3/2009	Fu	D26/63

Related U.S. Application Data

(63) Continuation-in-part of application No. 29/317,242, filed on Apr. 25, 2008, now abandoned.

(51) **LOC (9) Cl.** **26-05**

(52) **U.S. Cl.** **D26/51**

(58) **Field of Classification Search** D26/37, D26/38, 39, 42, 43, 46, 47, 51, 56, 57; 362/157, 362/158, 183, 184, 187, 194, 195, 196, 197, 362/200, 208, 253, 396

See application file for complete search history.

(56) **References Cited**

U.S. PATENT DOCUMENTS

D194,709 S	2/1963	Vernon	
3,249,114 A	5/1966	Gutridge	
D213,392 S	2/1969	Andre	
3,428,286 A	2/1969	Del Pesco	
4,190,322 A	2/1980	Wortley	
D276,940 S	12/1984	Anderson	
D277,320 S	1/1985	Selden	
4,885,667 A	12/1989	Selden	
5,033,528 A	7/1991	Volcani	
D334,759 S *	4/1993	Meyer et al.	D16/135
5,486,986 A *	1/1996	Brada	362/85
5,613,771 A	3/1997	Siverling	
D393,271 S *	4/1998	Conner et al.	D16/130
5,765,793 A	6/1998	Yu	

* cited by examiner

Primary Examiner—Ian Simmons

Assistant Examiner—Carissa C Fitts

(74) *Attorney, Agent, or Firm*—Leydig, Voit & Mayer, Ltd.

(57) **CLAIM**

I claim the ornamental design for a magnifier and lamp stand, as shown and described.

DESCRIPTION

FIG. 1 is a front perspective view of a magnifier and lamp stand according to my new design;

FIG. 2 is a rear perspective view thereof;

FIG. 3 is a front view thereof;

FIG. 4 is a rear view thereof;

FIG. 5 is a top view thereof;

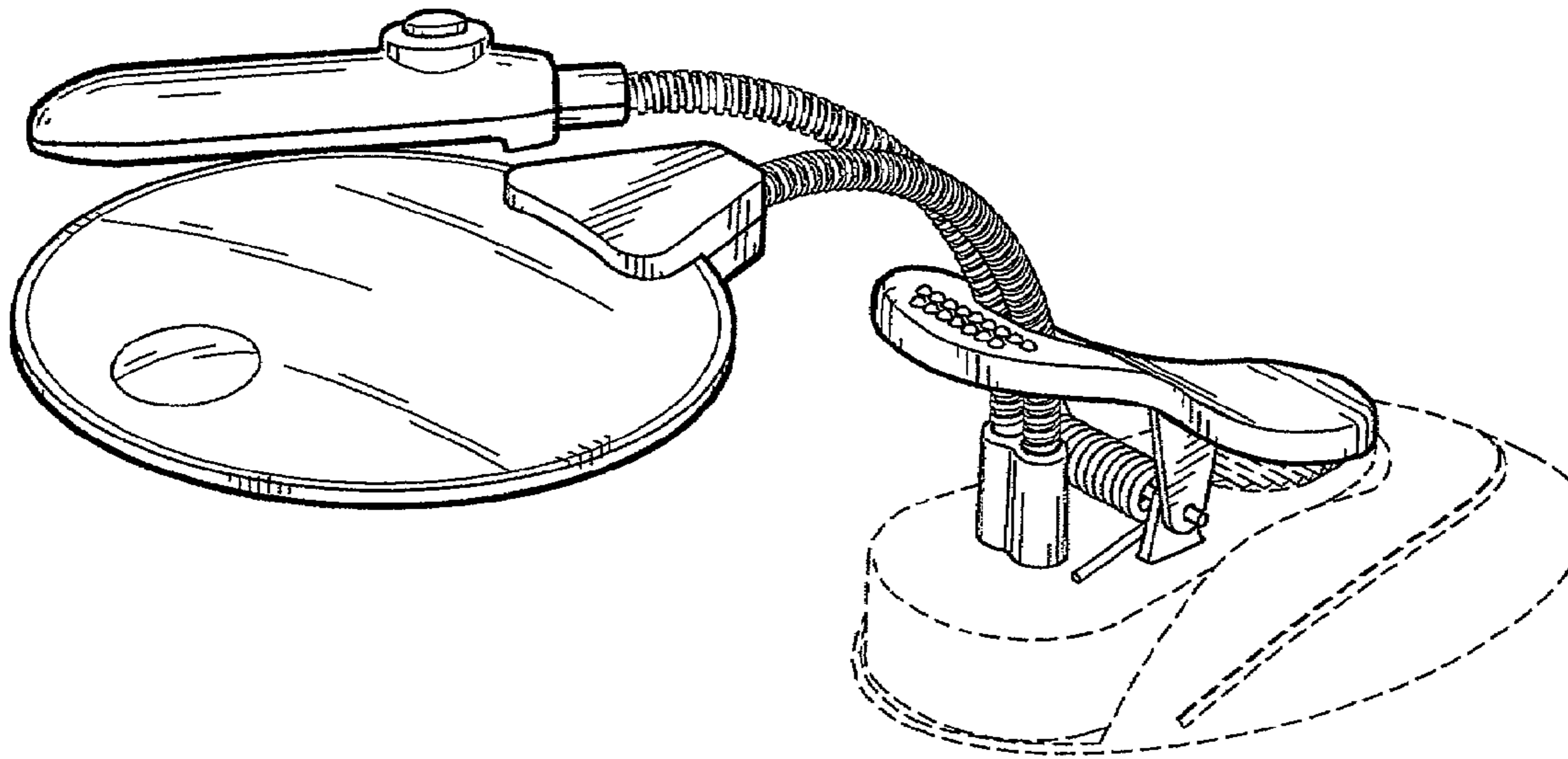
FIG. 6 is a right side view thereof;

FIG. 7 is a left side view thereof; and,

FIG. 8 is a bottom view thereof.

The broken lines showing a base of the magnifier and lamp stand is for the purpose of illustrating a base and forms no part of the claimed design.

1 Claim, 4 Drawing Sheets



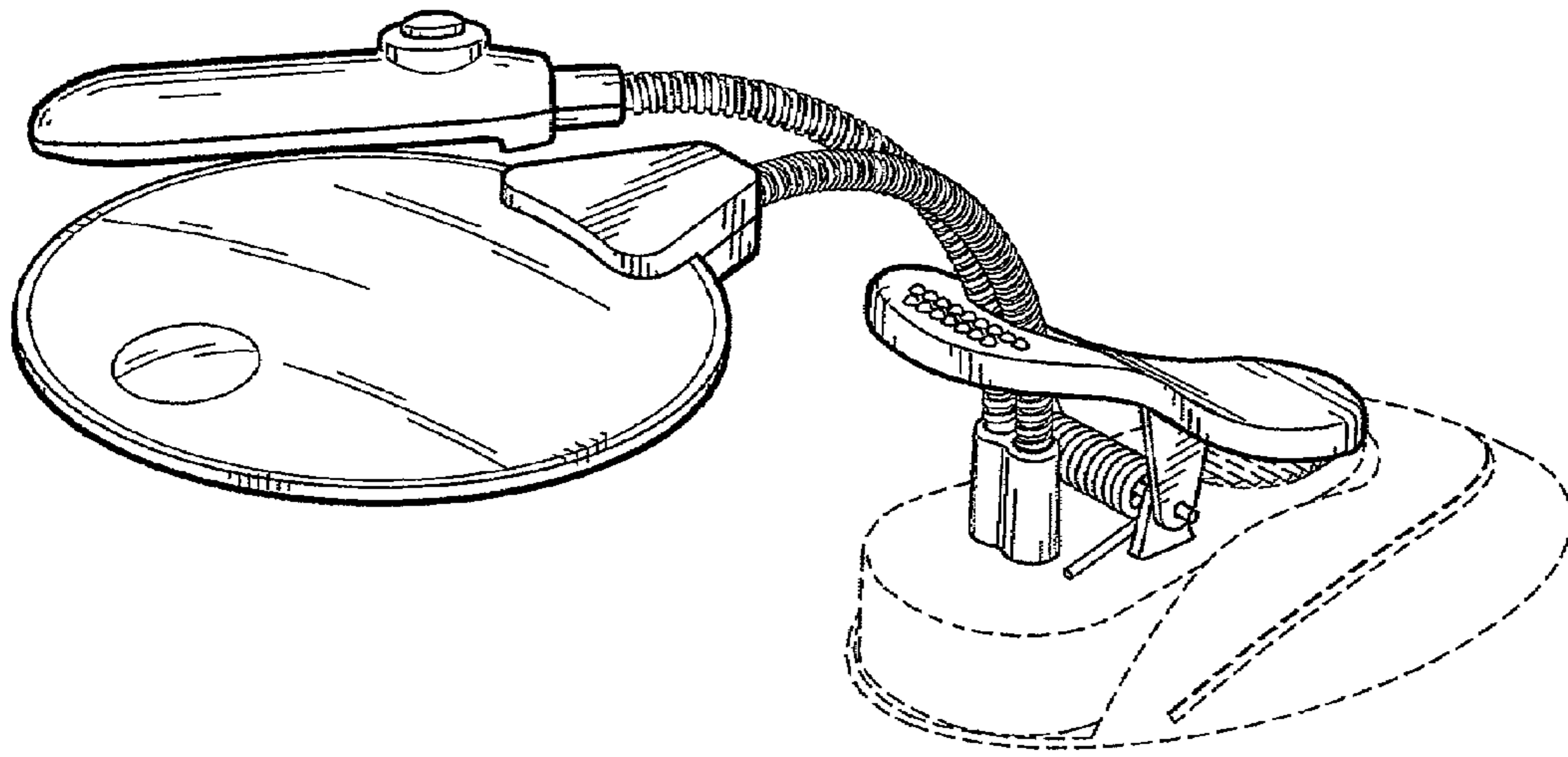


FIG.1

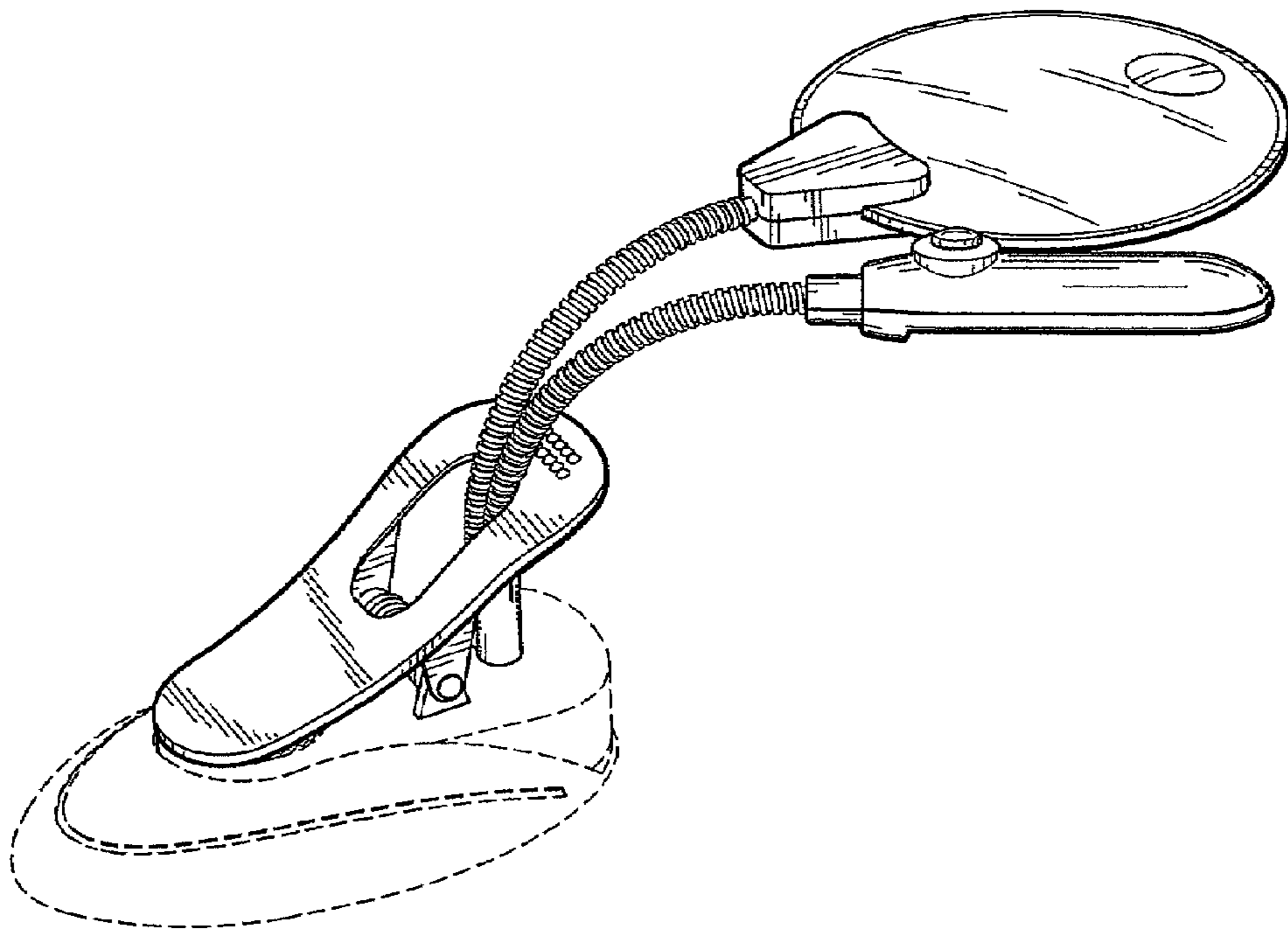


FIG.2

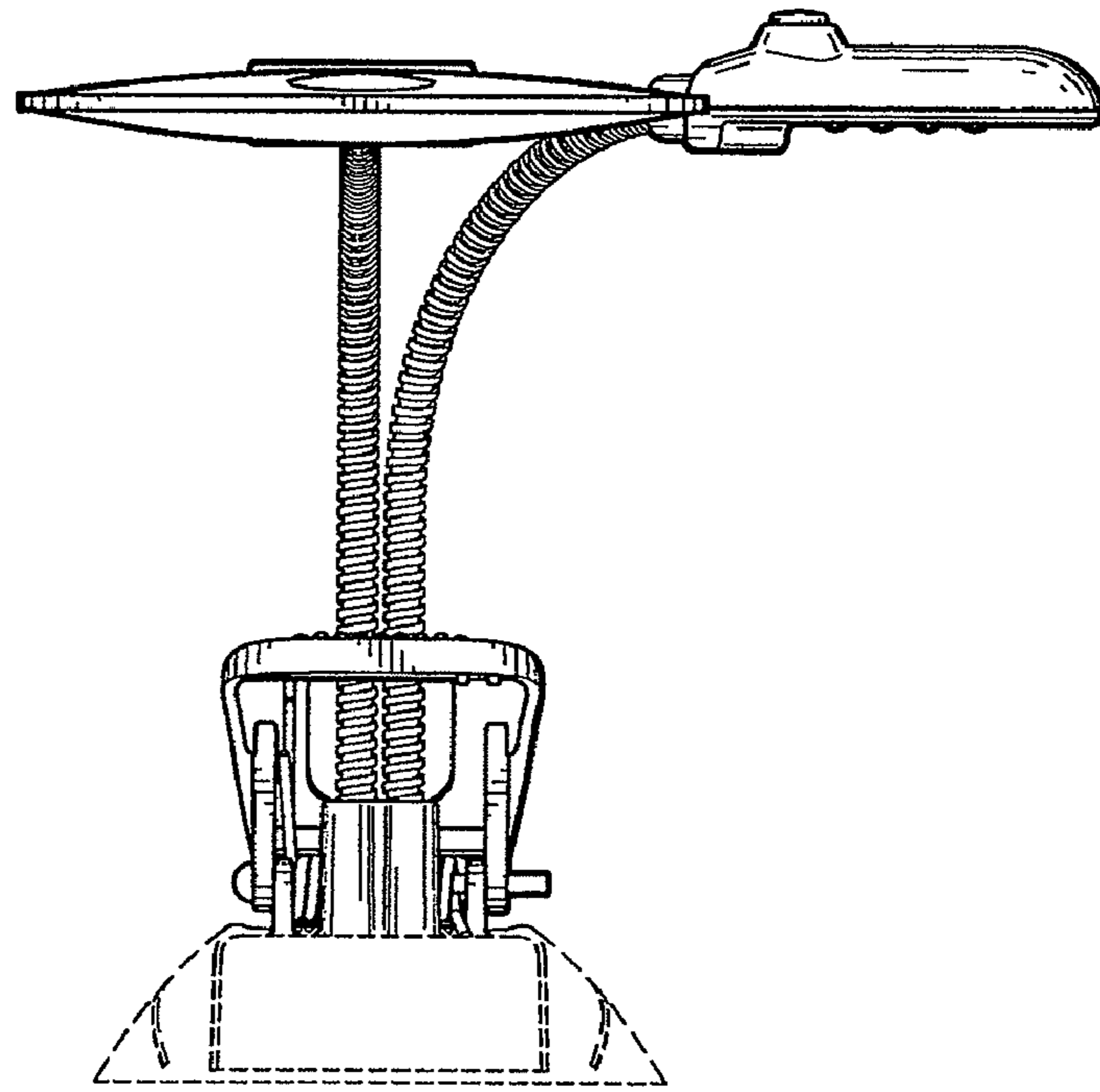


FIG.3

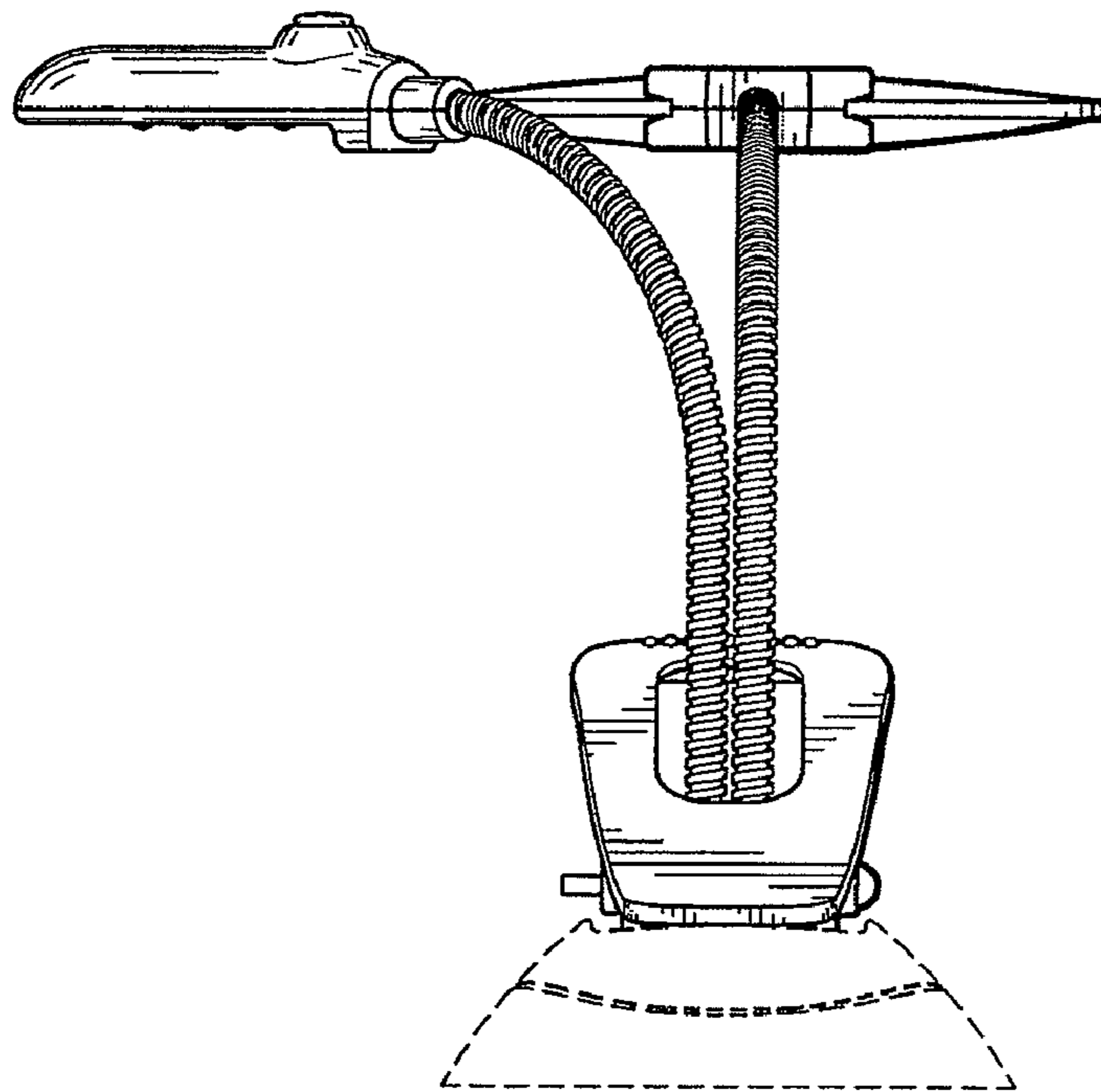


FIG.4

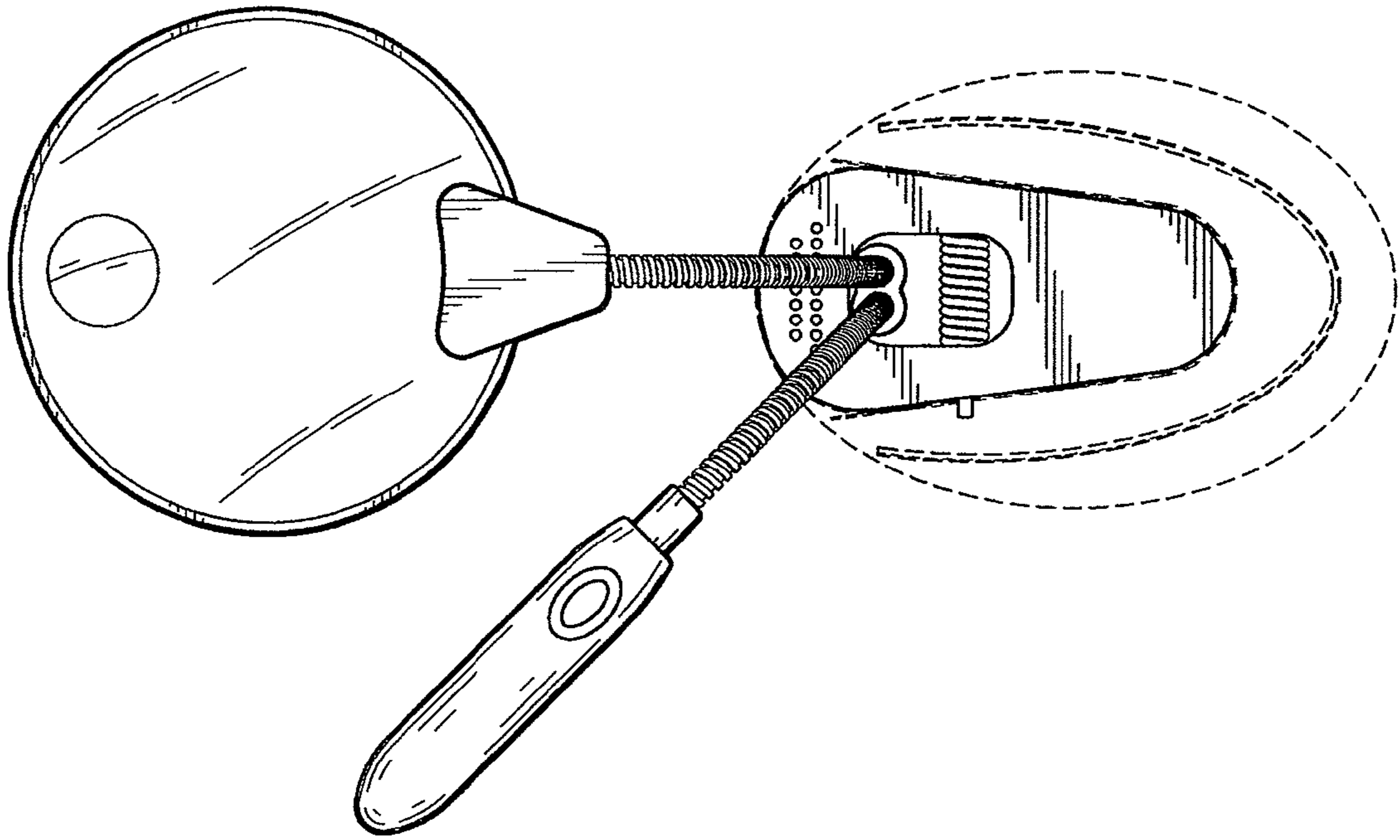


FIG.5

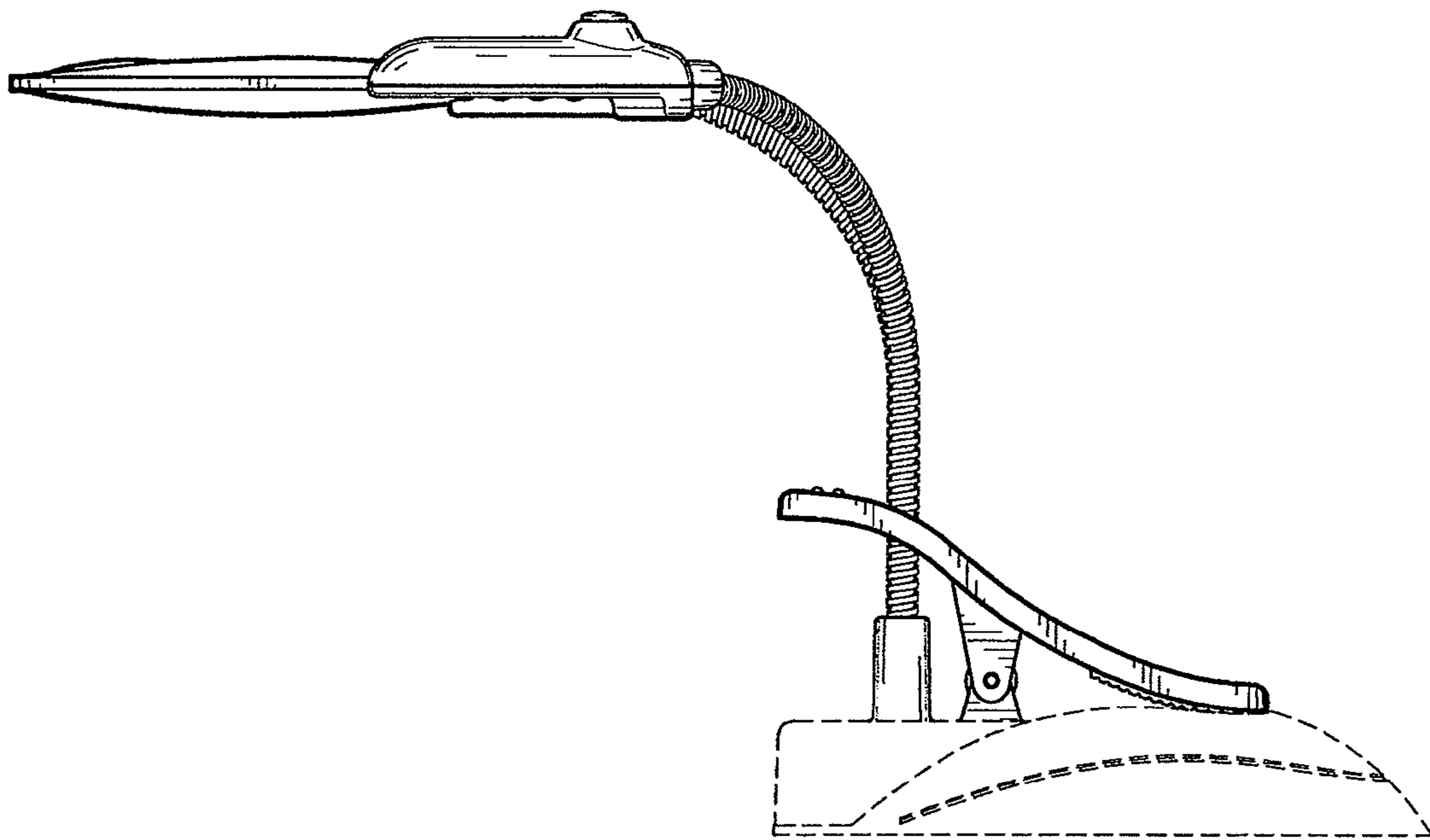


FIG.6

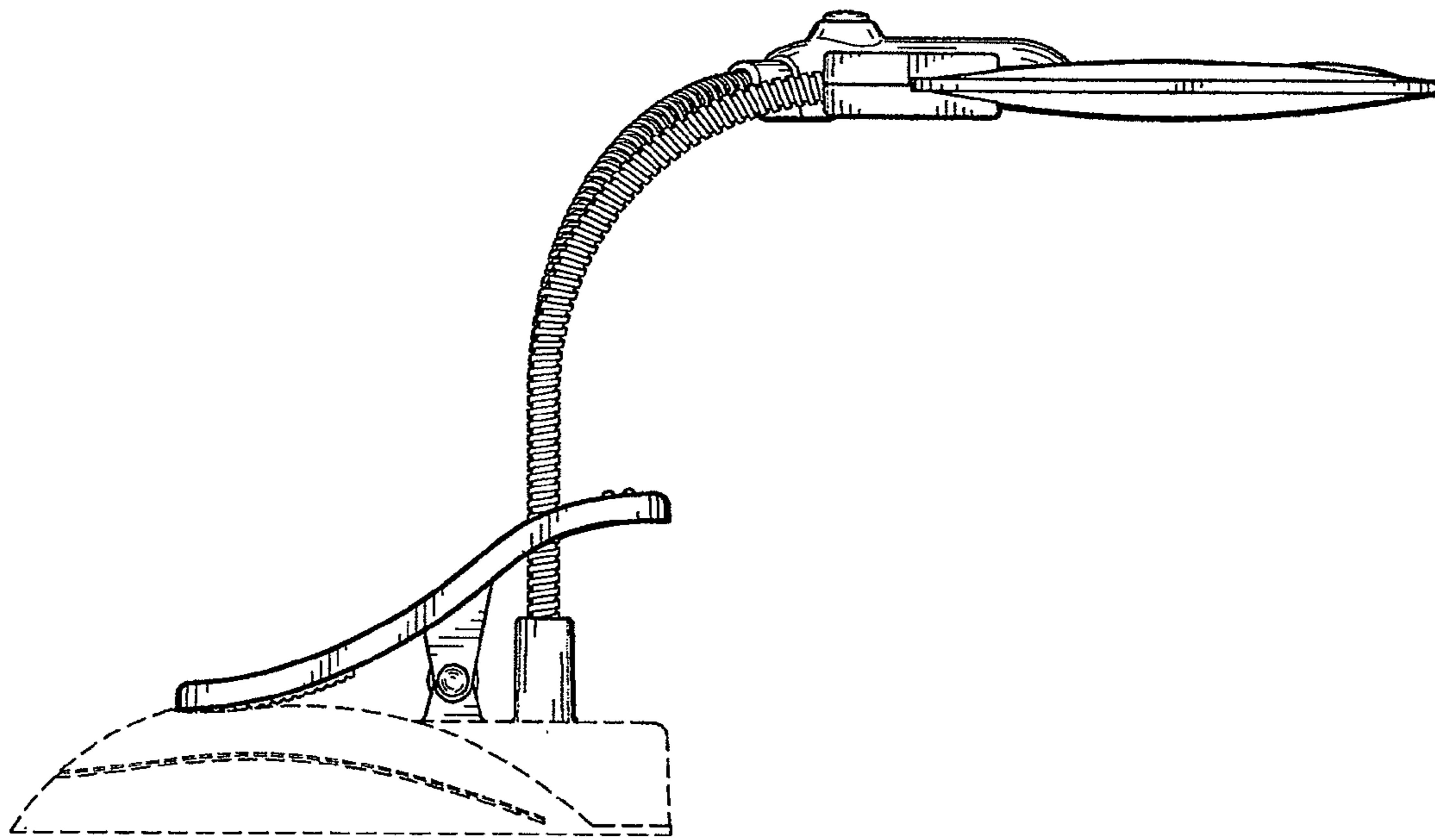


FIG. 7

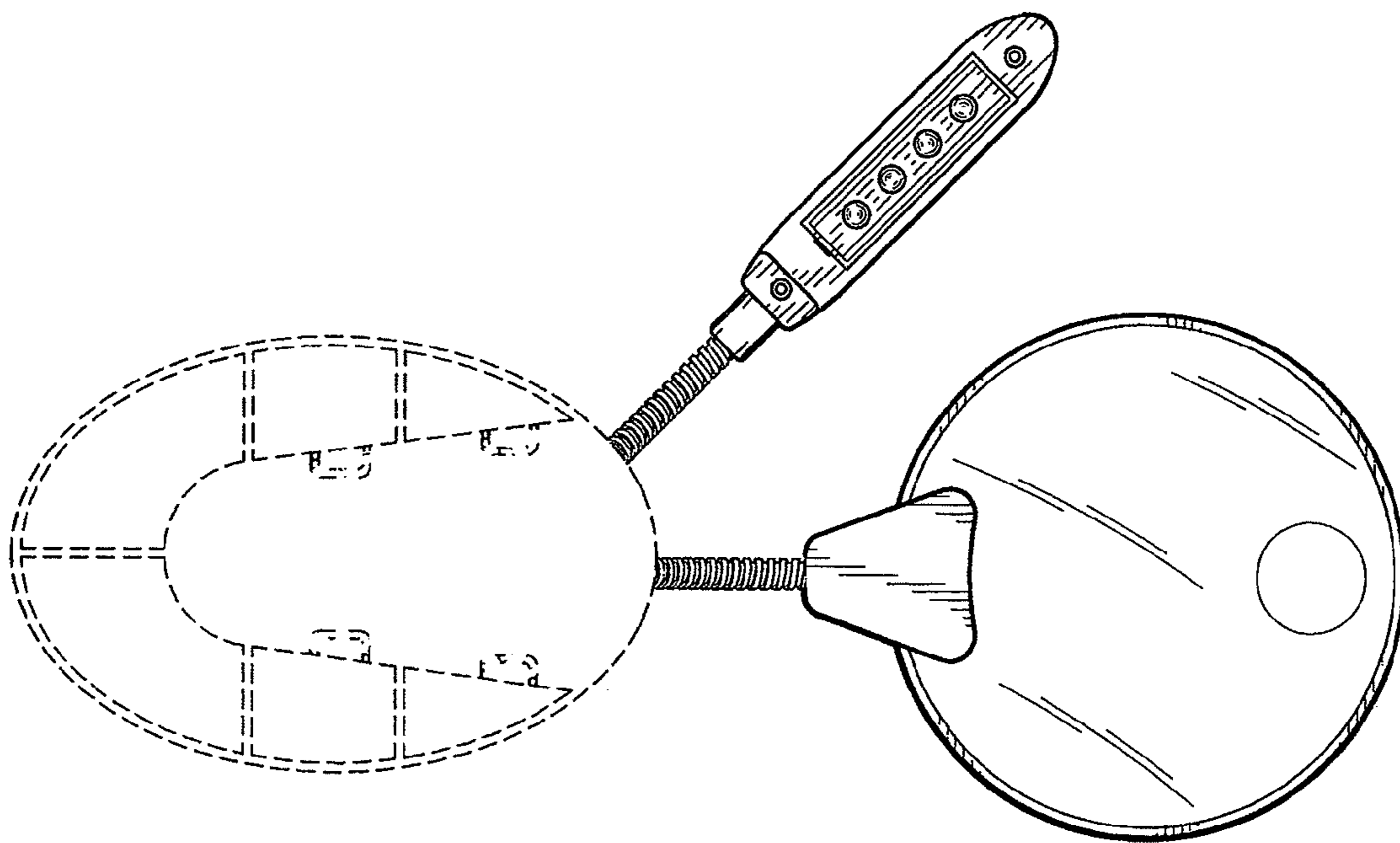


FIG. 8