



US00D614334S

(12) **United States Design Patent**
Thomson et al.

(10) **Patent No.:** **US D614,334 S**

(45) **Date of Patent:** **** Apr. 20, 2010**

(54) **POCKET LIGHT**

(75) Inventors: **John Matthew Thomson**, Tampa, FL (US); **Kelly Martelli**, Tampa, FL (US); **Kelly Shea Keuthe**, Lutz, FL (US)

(73) Assignee: **Ottlite Technologies, Inc.**, Tampa, FL (US)

(**) Term: **14 Years**

(21) Appl. No.: **29/340,613**

(22) Filed: **Jul. 22, 2009**

(51) **LOC (9) Cl.** **26-02**

(52) **U.S. Cl.** **D26/38**

(58) **Field of Classification Search** D26/37,
D26/38, 39, 41, 46; 362/157, 158, 183, 184,
362/194-208

See application file for complete search history.

(56) **References Cited**

U.S. PATENT DOCUMENTS

D347,634 S	*	6/1994	Lobo	D14/171
D358,223 S	*	5/1995	Ferrell et al.	D26/37
D401,371 S	*	11/1998	Chen	D26/38
D414,574 S	*	9/1999	Chen	D26/37
D415,585 S	*	10/1999	Leung	D26/37
D439,352 S	*	3/2001	Lai	D26/37
D439,688 S	*	3/2001	Suzuki	D26/37
D448,873 S	*	10/2001	Dalton et al.	D26/37
D464,453 S	*	10/2002	Cramer et al.	D26/39
D469,555 S	*	1/2003	Hong	D26/38
D498,551 S	*	11/2004	Chan	D26/37
D523,160 S	*	6/2006	Chen	D26/37
D524,962 S	*	7/2006	Farmer	D26/37
D526,433 S	*	8/2006	Li	D26/60
D526,734 S	*	8/2006	Brown	D26/60
D548,384 S	*	8/2007	Komar	D26/60
D550,385 S	*	9/2007	Hamilton et al.	D26/37

Primary Examiner—Ian Simmons

Assistant Examiner—Carissa C Fitts

(74) *Attorney, Agent, or Firm*—Christopher Paradies; Fowler White Boggs P.A.

(57) **CLAIM**

The ornamental design for a pocket light, as shown and described.

DESCRIPTION

FIG. 1 is a rear elevational view of a pocket light, in its open position, showing our new design;

FIG. 2 is a rear elevational view, in its closed position, thereof;

FIG. 3 is a bottom plan view, in its open position, thereof;

FIG. 4 is a bottom plan view, in its closed position, thereof;

FIG. 5 is a front elevational view, in its open position, thereof;

FIG. 6 is a front elevational view, in its closed position, thereof;

FIG. 7 is a left side elevational view, in its open position, thereof;

FIG. 8 is a left side elevational view, in its closed position, thereof;

FIG. 9 is a right side elevational view, in its open position, thereof;

FIG. 10 is a right side elevational view, in its closed position, thereof;

FIG. 11 is a top plan view, in its open position, thereof;

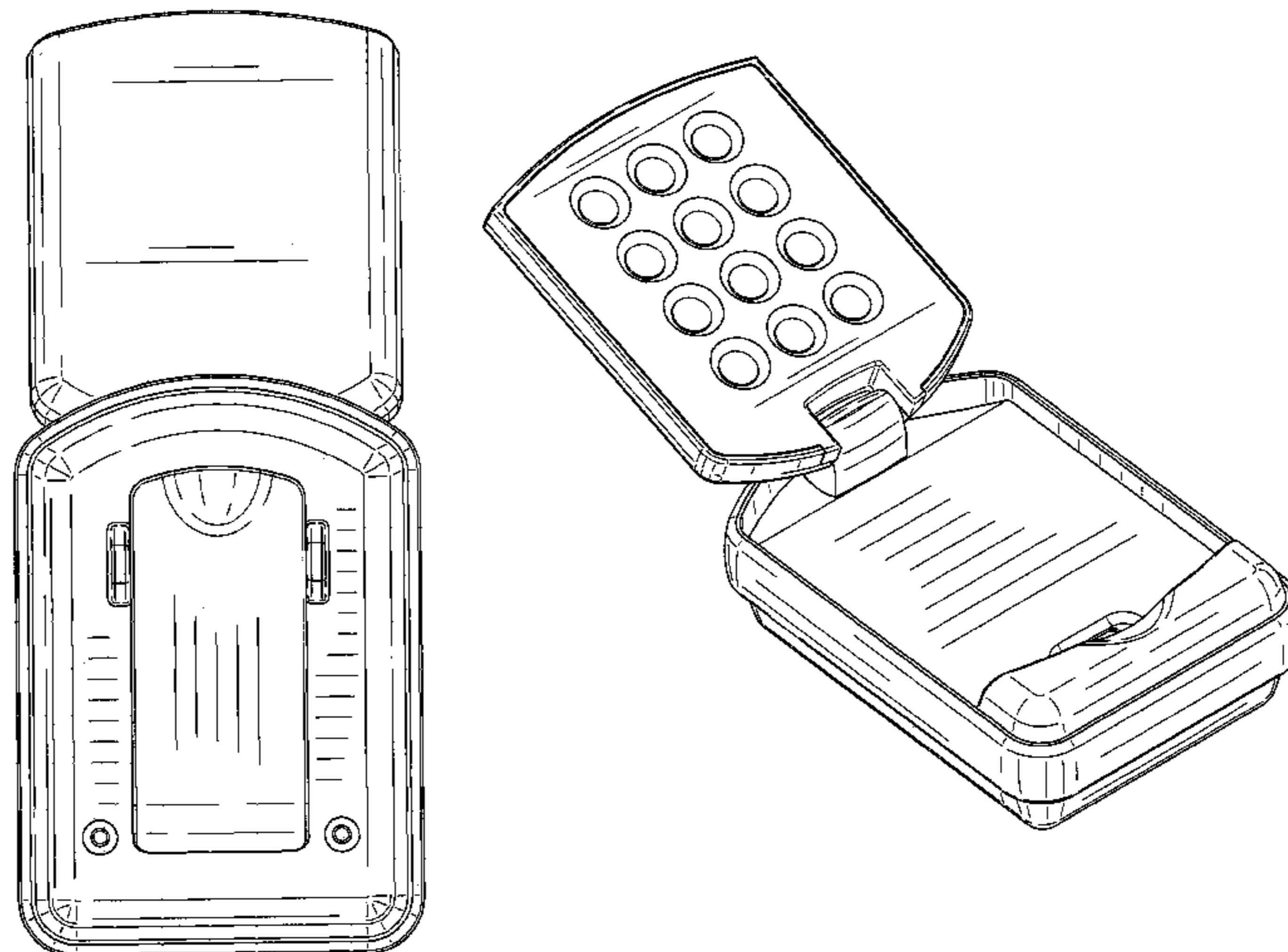
FIG. 12 is a top plan view, in its closed position, thereof;

FIG. 13 is a top, side perspective view of the front, in its closed position, thereof; and,

FIG. 14 is a top, side, perspective view of the front, in its open position.

(Continued)

1 Claim, 9 Drawing Sheets



US D614,334 S

Page 2

U.S. PATENT DOCUMENTS

D580,077 S	*	11/2008	Sham	D26/37	
D598,148 S	*	8/2009	Leslie et al.	D26/37	* cited by examiner
						D605,320 S * 12/2009 Moudry et al. D26/39

FIG. 1

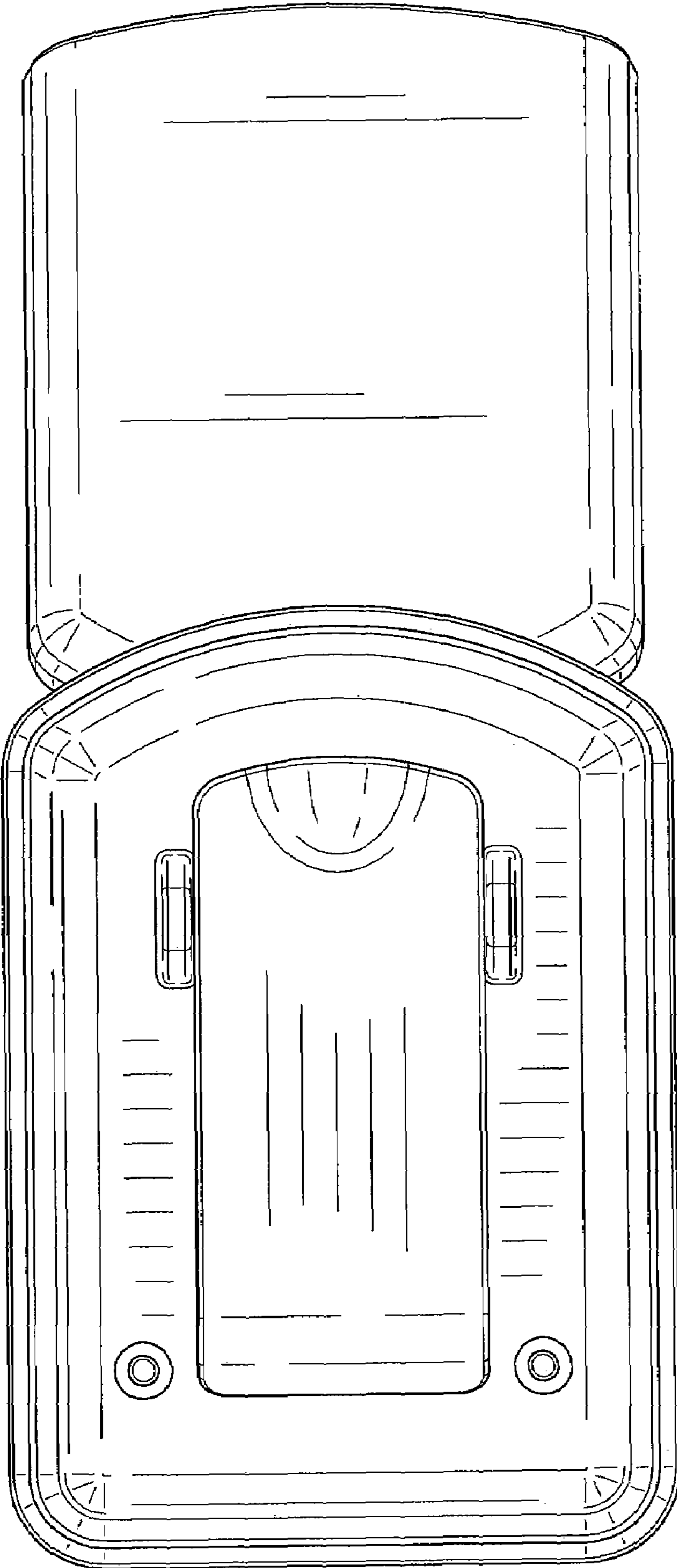


FIG. 3

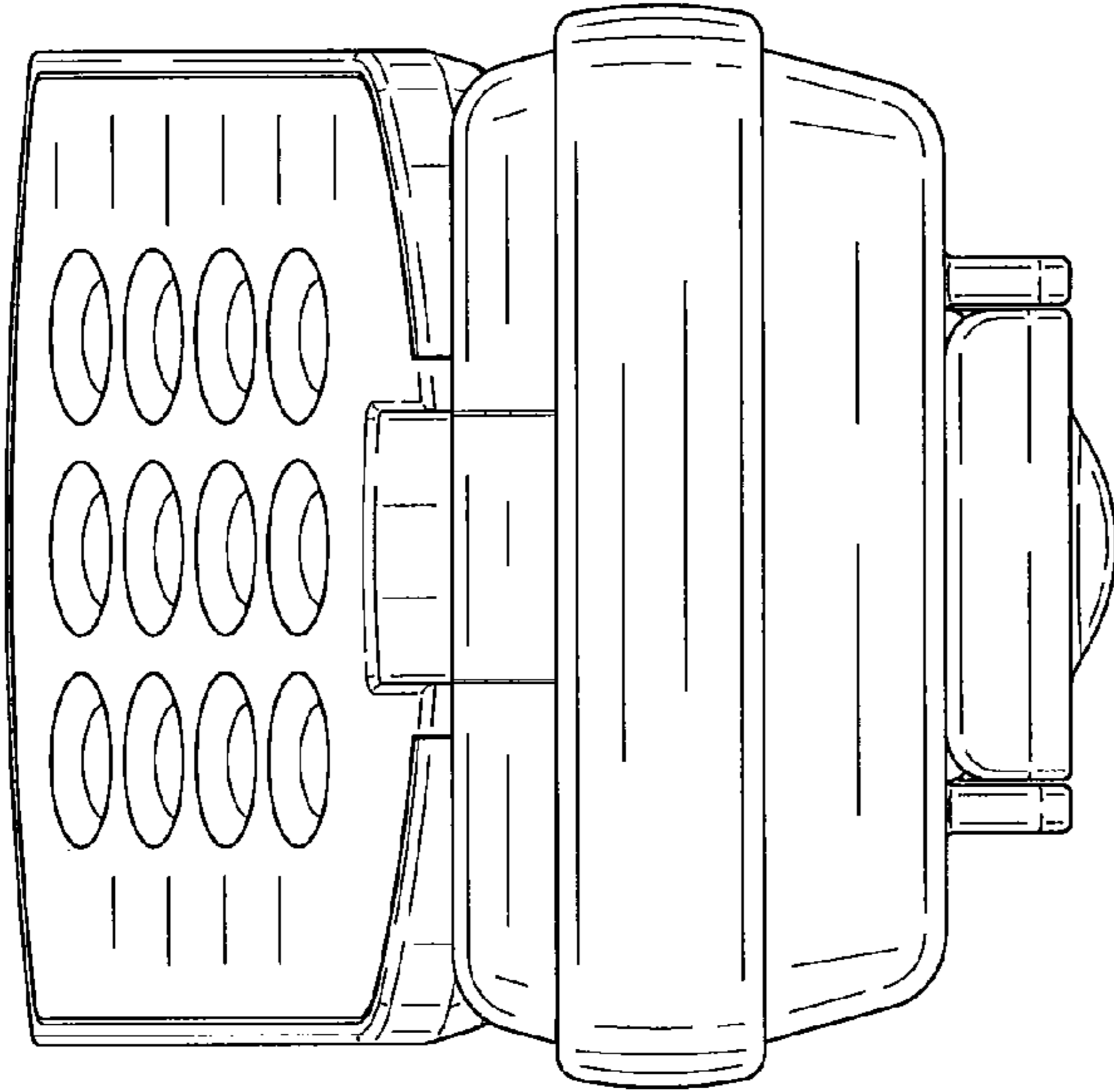


FIG. 4

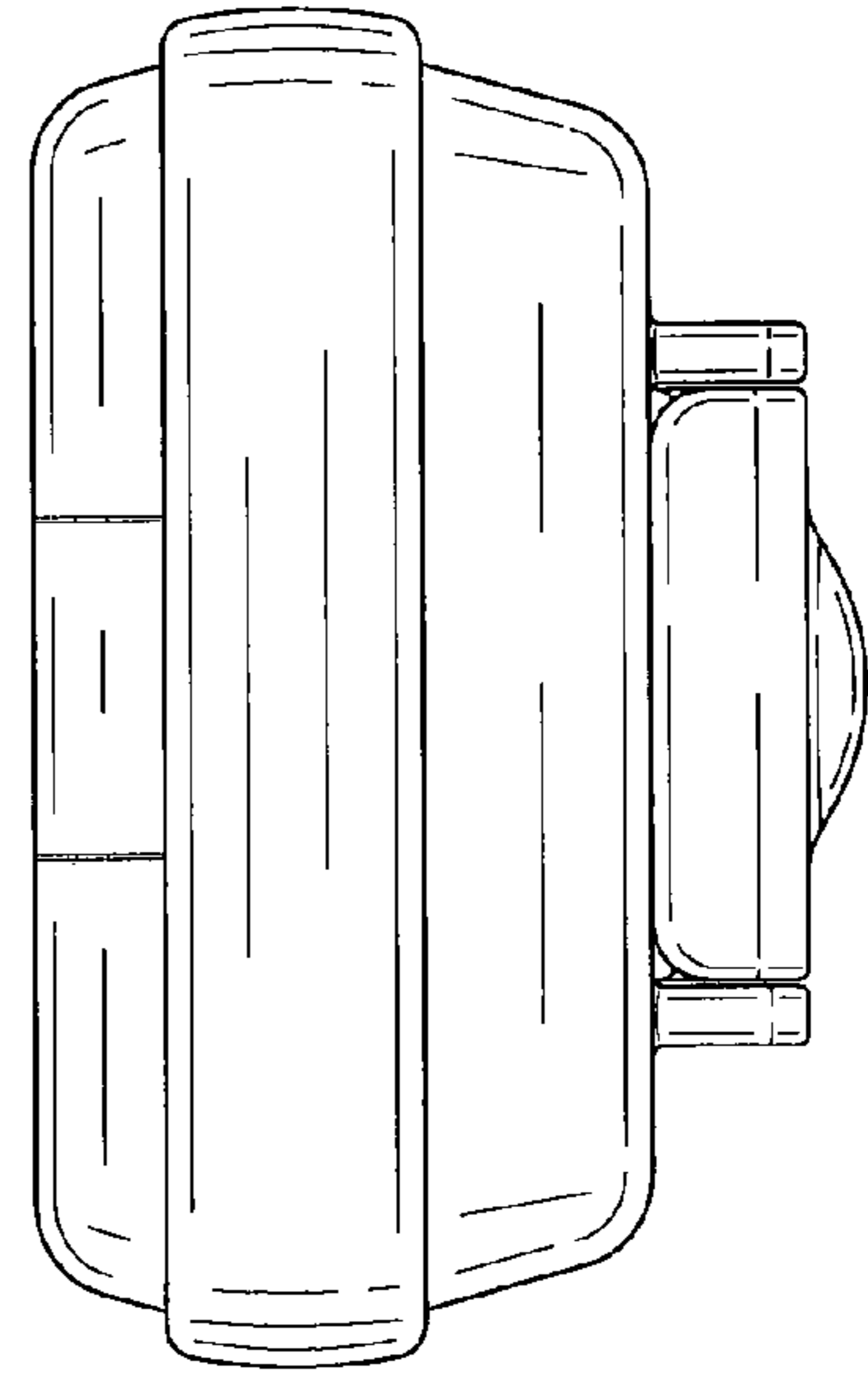
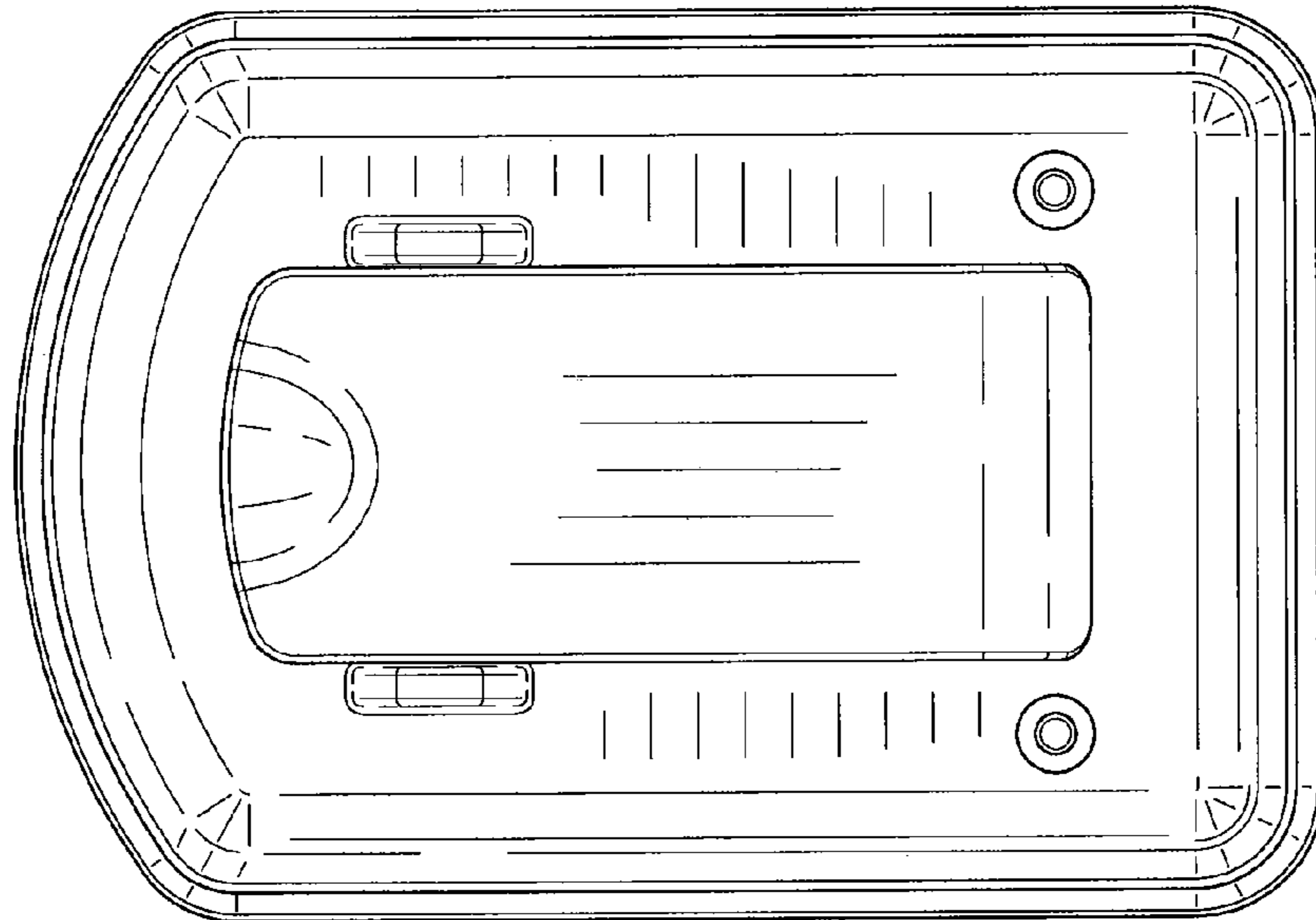


FIG. 2



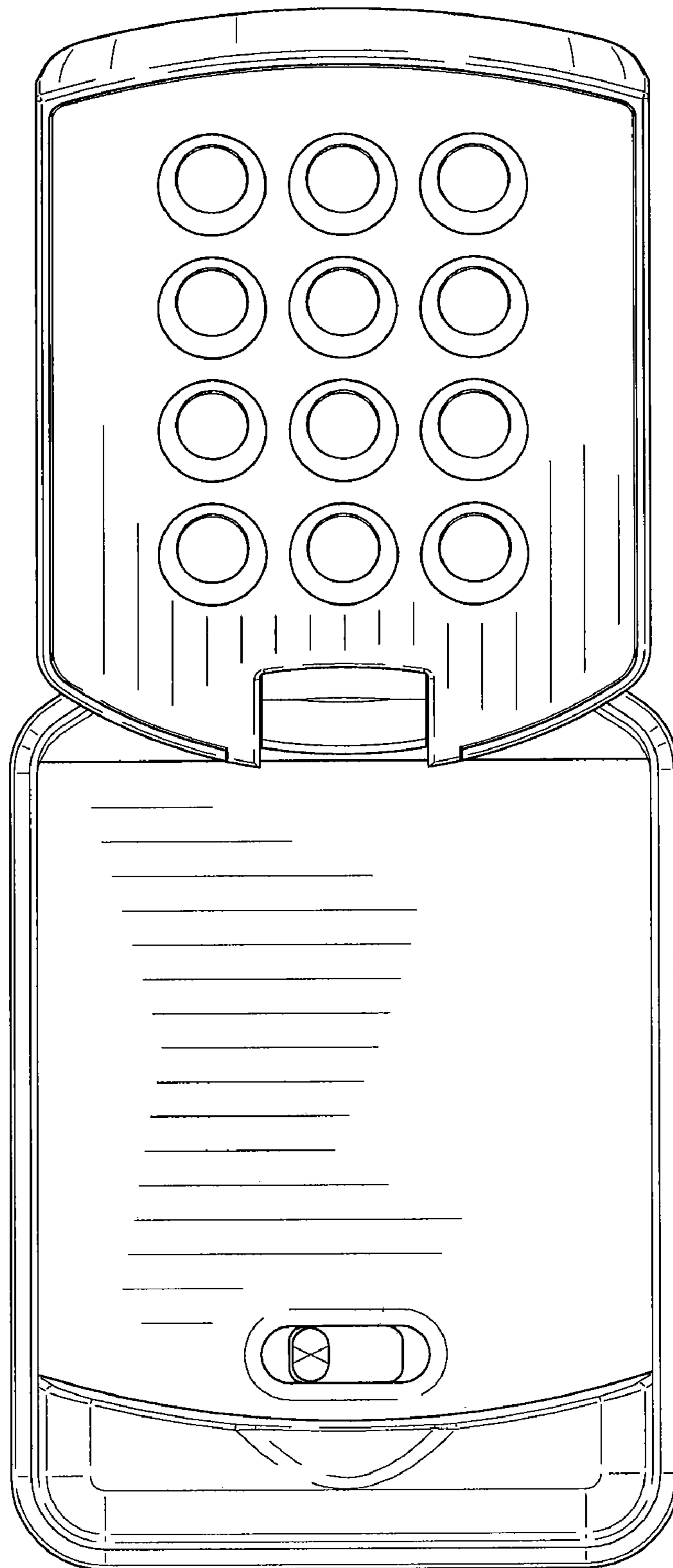


FIG. 5

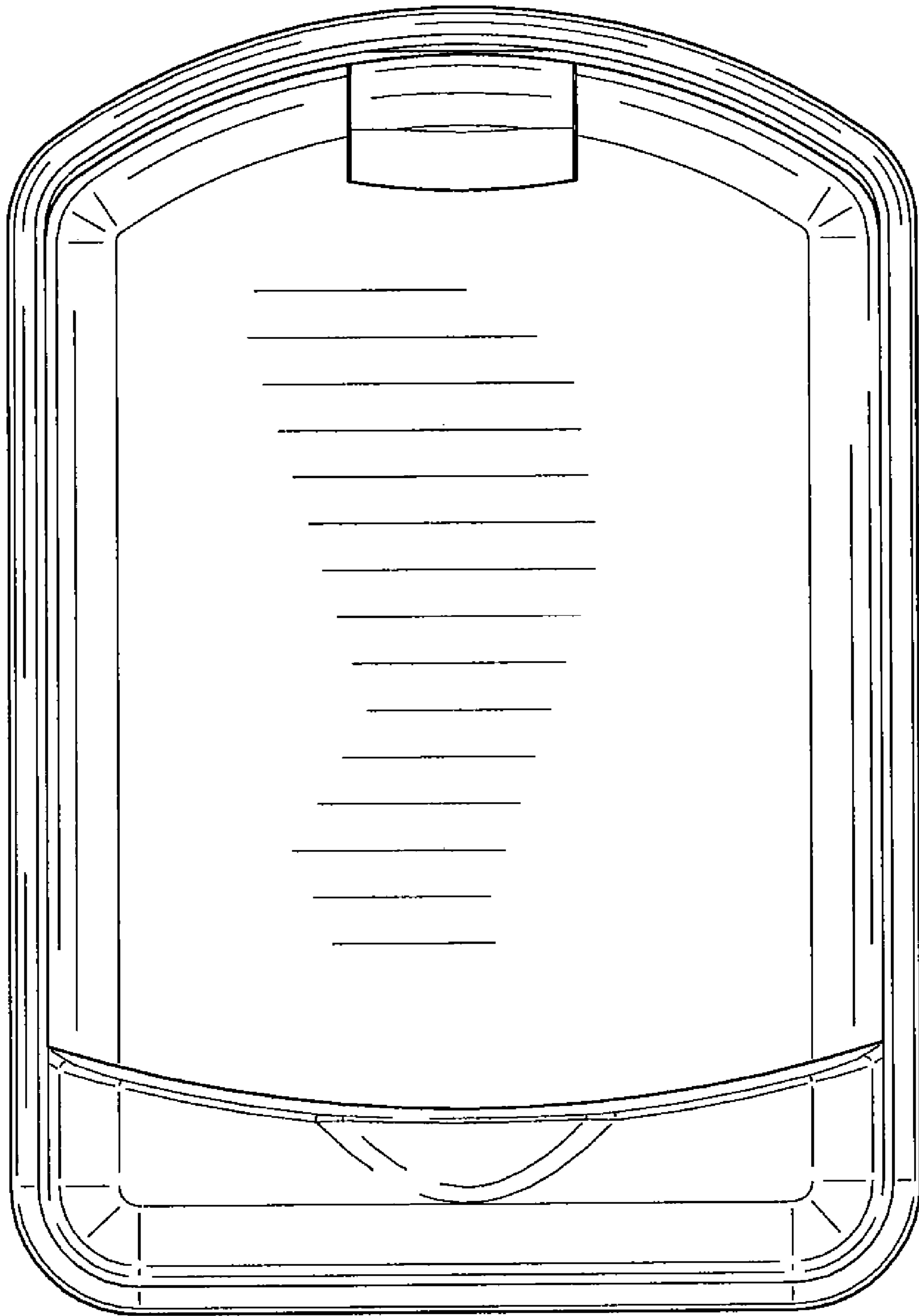


FIG. 6

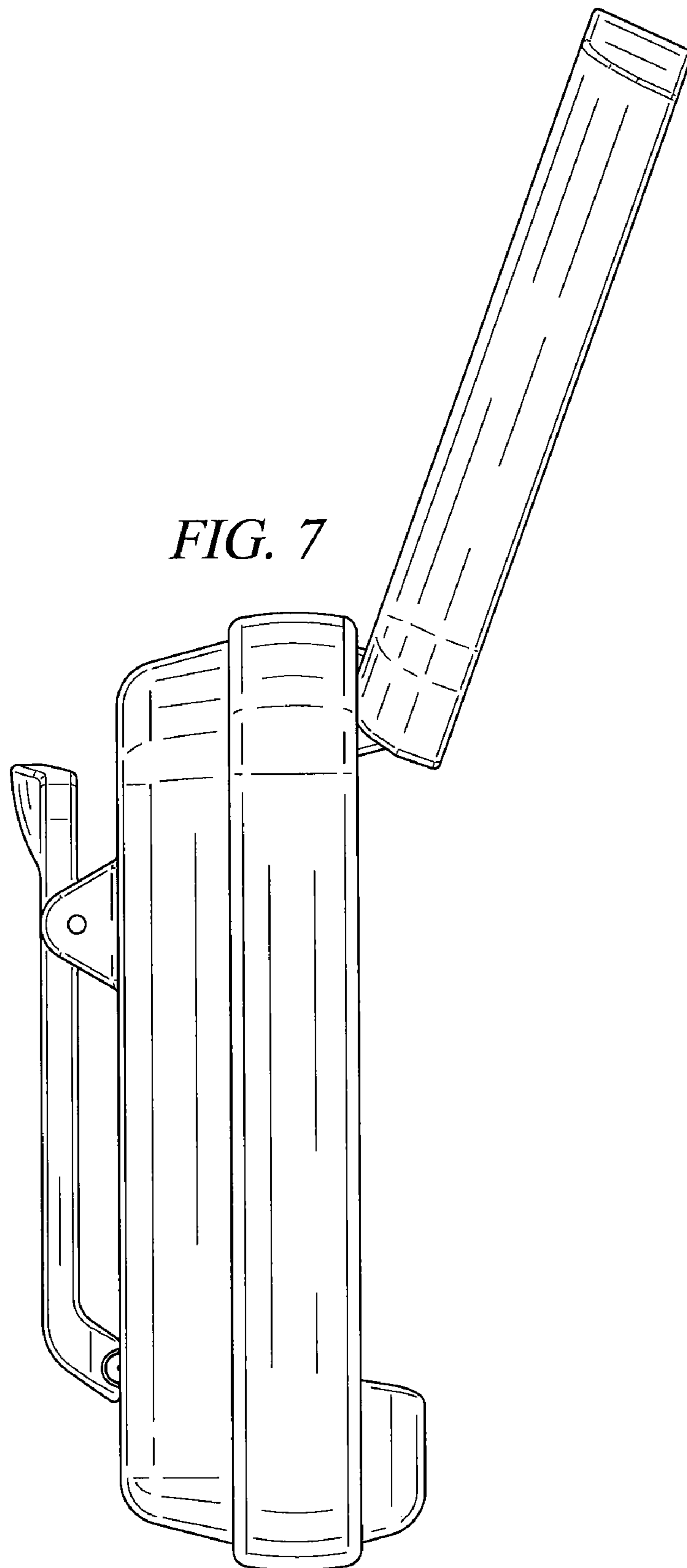


FIG. 7

FIG. 8

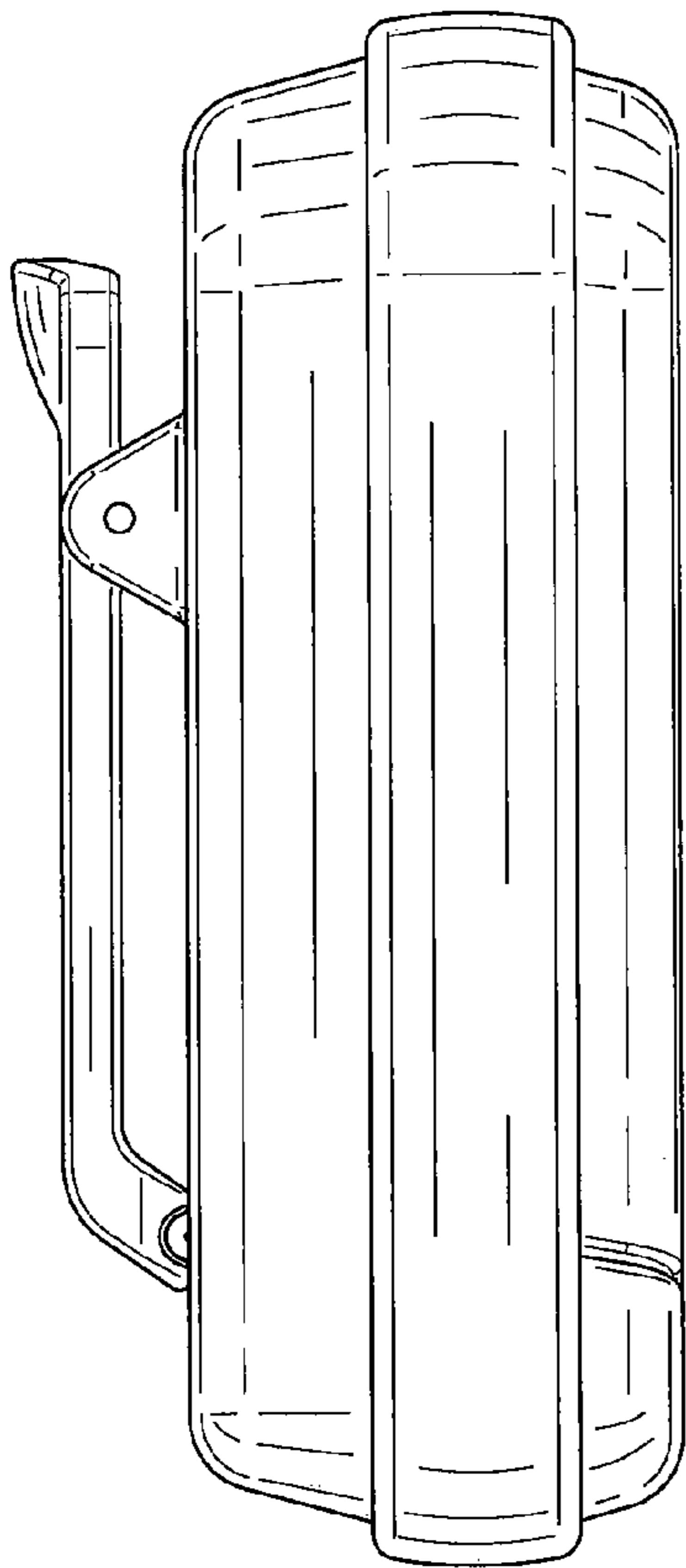


FIG. 9

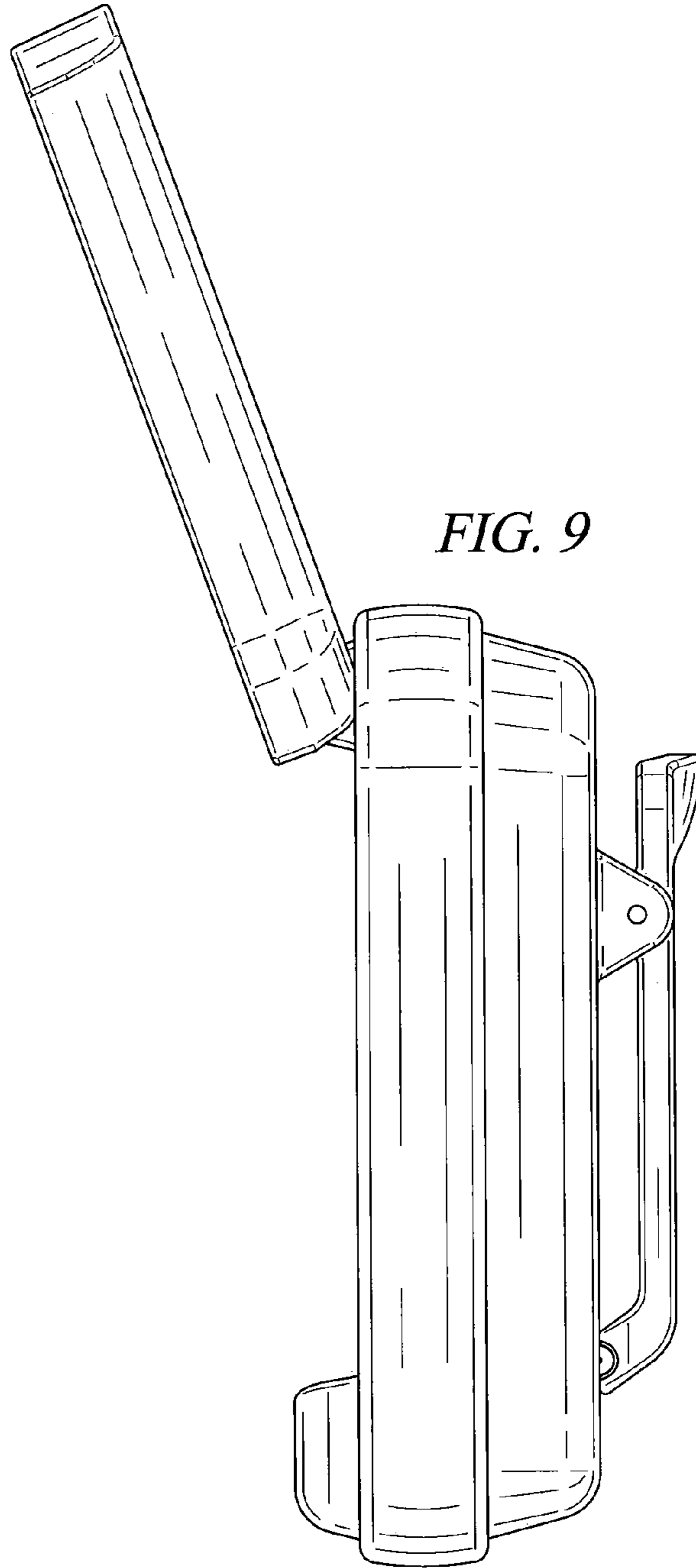


FIG. 10

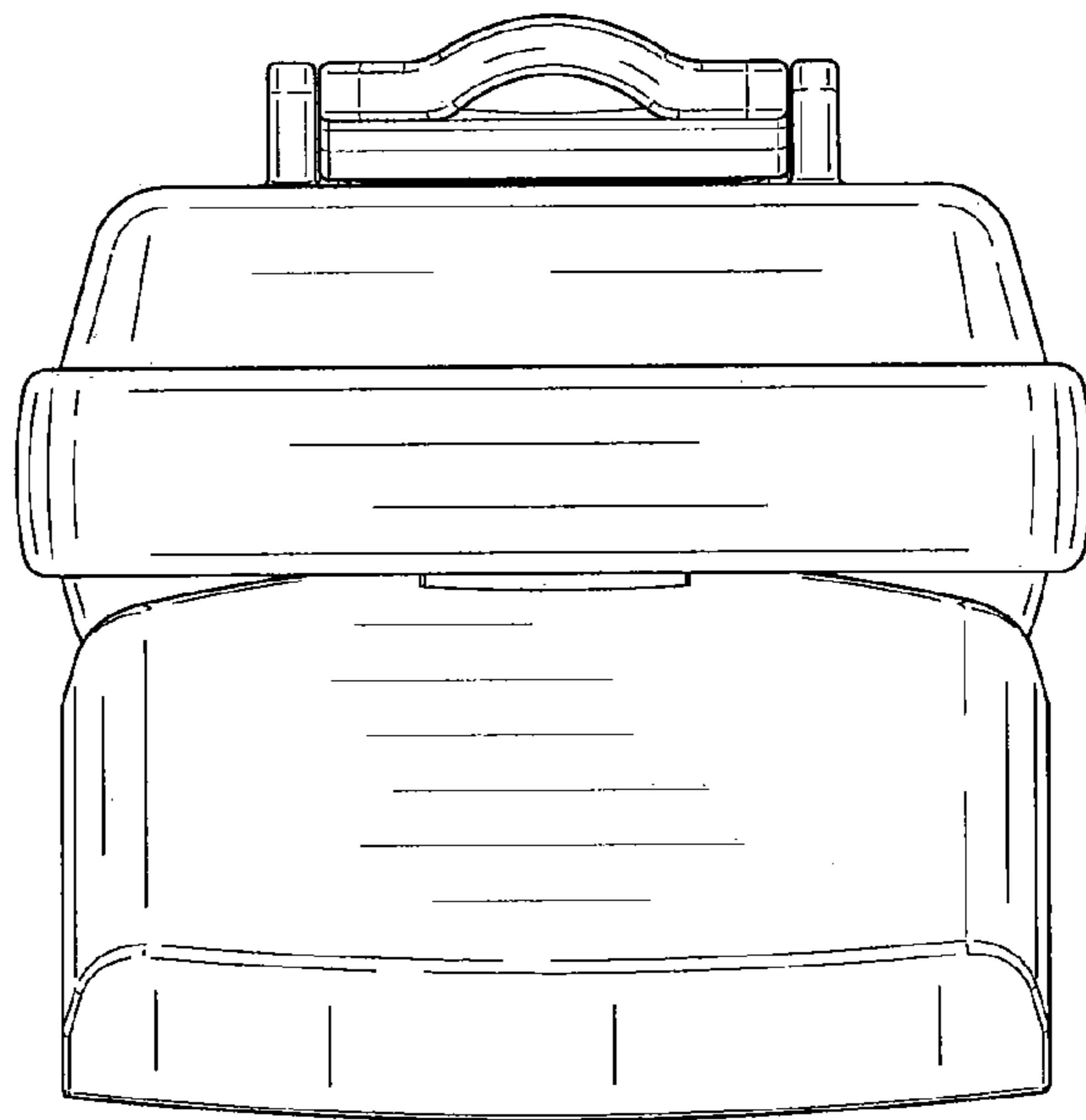
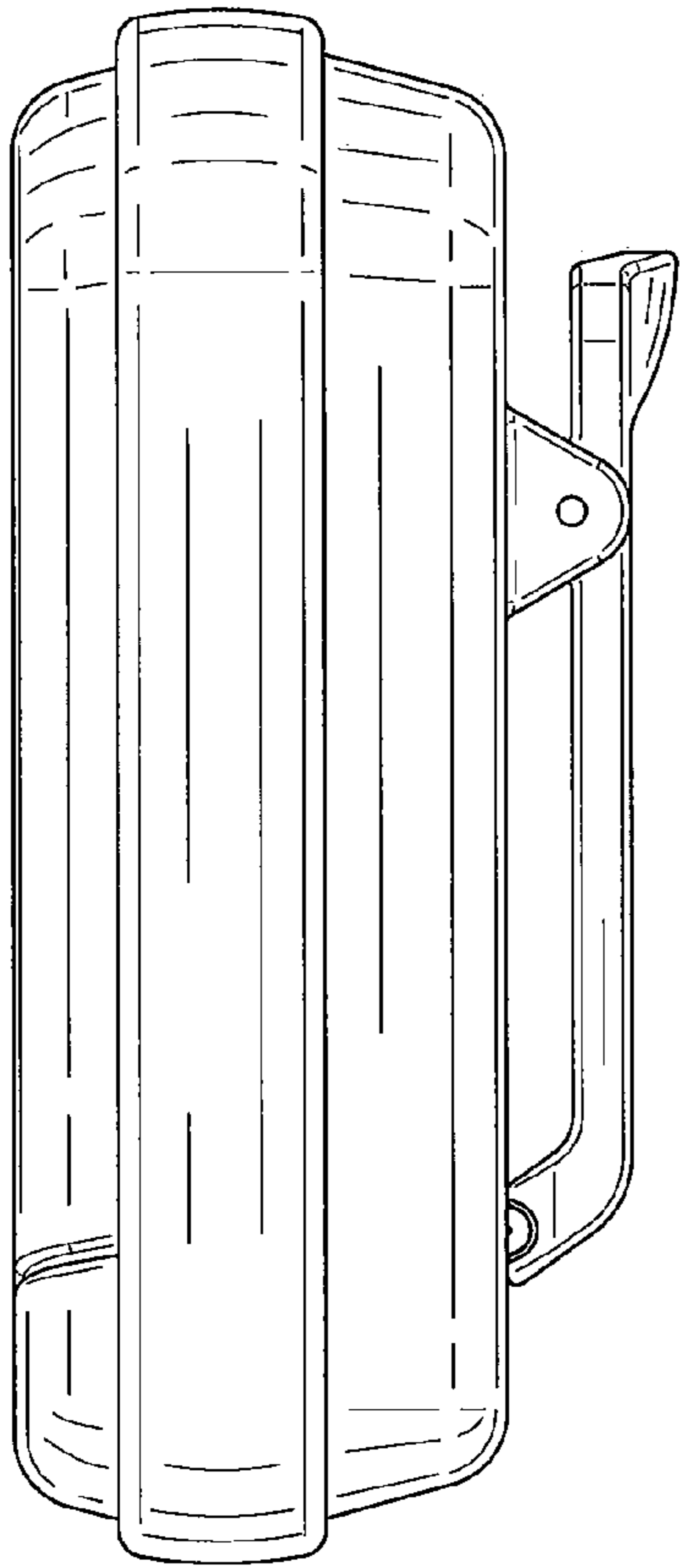


FIG. 11

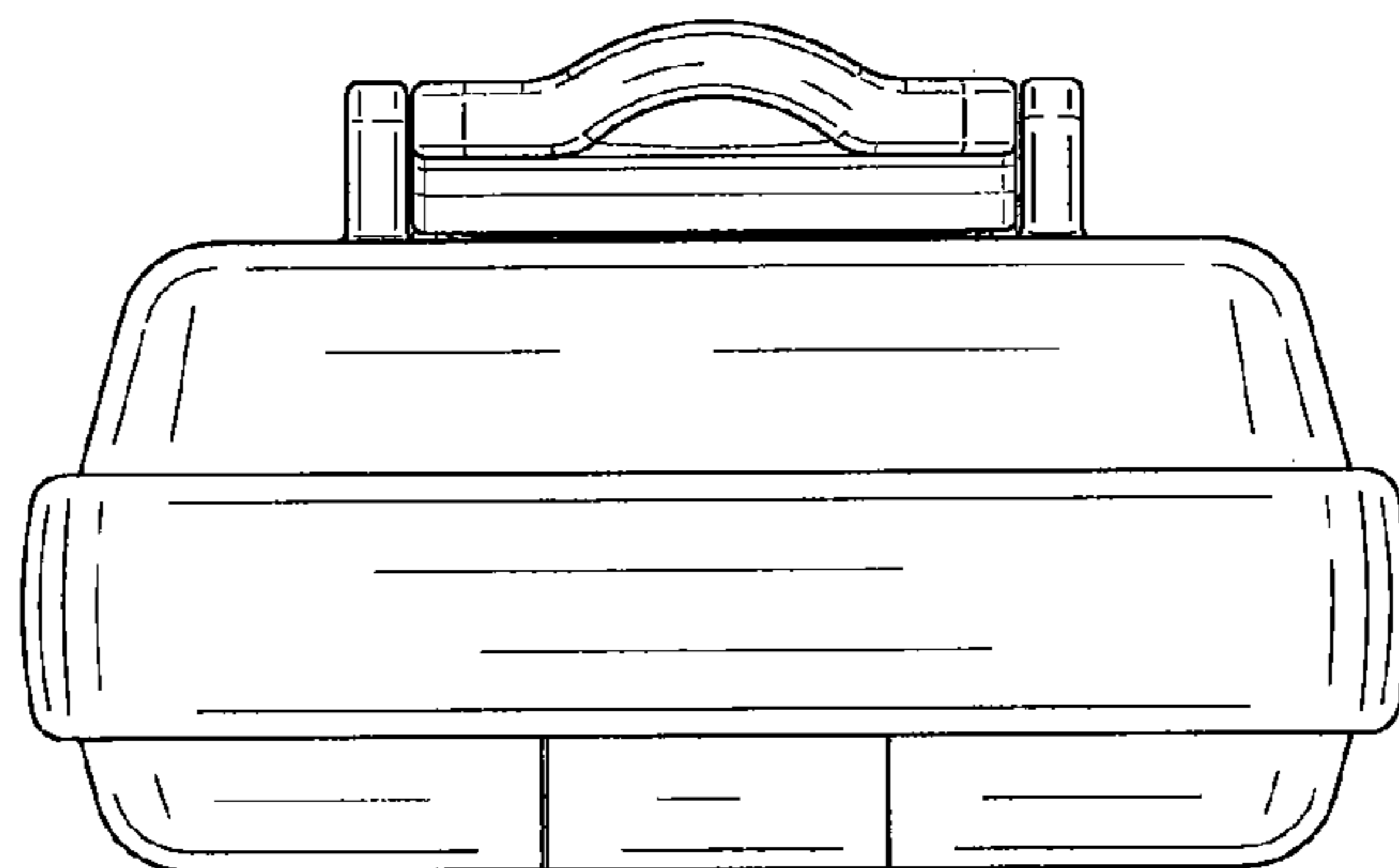


FIG. 12

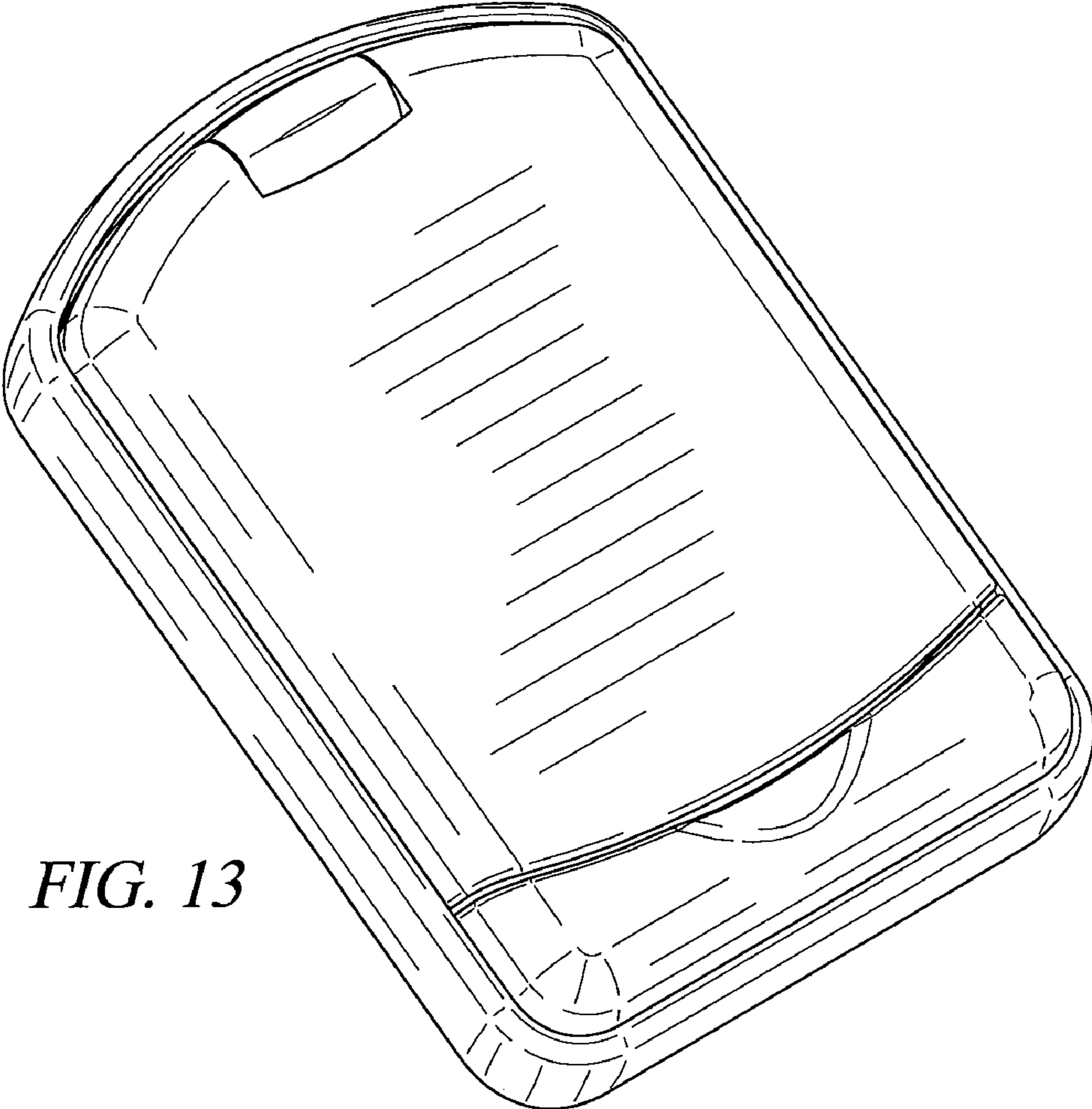


FIG. 13

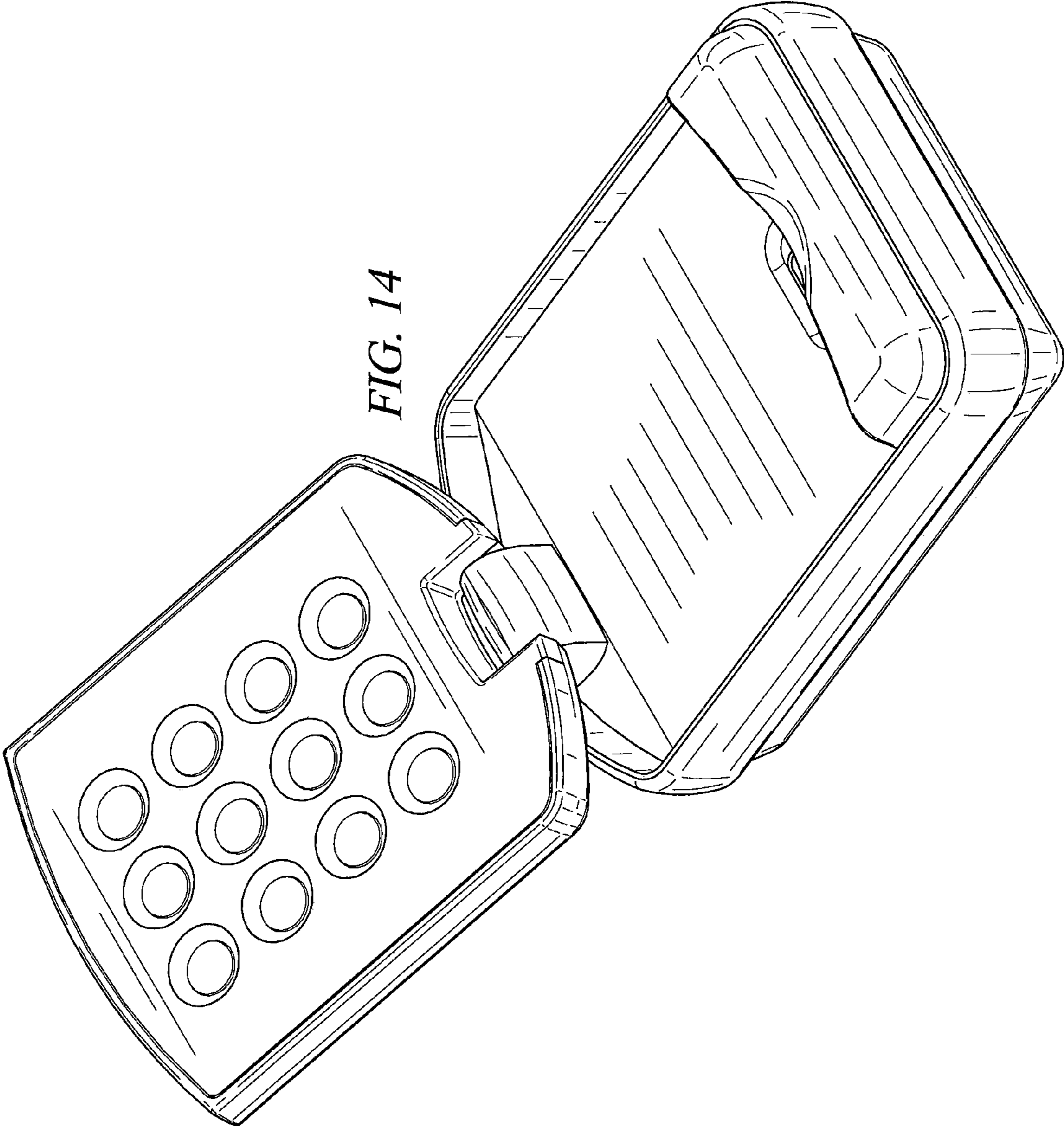


FIG. 14