



US00D614328S

(12) **United States Design Patent**
Ectors et al.

(10) **Patent No.:** **US D614,328 S**
(45) **Date of Patent:** **** Apr. 20, 2010**

(54) **VEHICLE HEADLIGHT**

D570,014 S * 5/2008 Hsu D26/28

(75) Inventors: **Bregt Ectors**, Birmingham, MI (US);
Doyle Letson, Novi, MI (US); **Hak Soo Ha**, Northville, MI (US)

(73) Assignee: **Ford Motor Company**, Dearborn, MI (US)

(**) Term: **14 Years**

(21) Appl. No.: **29/343,851**

(22) Filed: **Sep. 21, 2009**

(51) **LOC (9) Cl.** **26-06**

(52) **U.S. Cl.** **D26/28**

(58) **Field of Classification Search** D26/28-36;
362/459-468, 475-478, 485-487
See application file for complete search history.

(56) **References Cited**

U.S. PATENT DOCUMENTS

- D549,858 S * 8/2007 Pfeiffer D26/28
- D550,380 S * 9/2007 Lin D26/28
- D558,906 S 1/2008 Golden et al.
- D561,359 S * 2/2008 Hsu D26/28
- D569,533 S * 5/2008 Hsu D26/28
- D570,007 S * 5/2008 Hsu D26/28

OTHER PUBLICATIONS

2010 Ford Edge 3.5 Sport AWD, Jan. 2009 NA Auto Show.
Road & Track Magazine, Jun. 2009.
Edmunds' Inside Line, Jun. 3, 2009.
The Car Tech Blog, Jun. 25, 2009.

* cited by examiner

Primary Examiner—Marcus A Jackson

(74) *Attorney, Agent, or Firm*—Damian Porcari

(57) **CLAIM**

An ornamental design for a vehicle headlight, as shown and described.

DESCRIPTION

FIG. 1 is a left side elevational view of a left vehicle headlight (the right vehicle headlight being a mirror image and is not shown);

FIG. 2 is right side elevational view of the vehicle headlight;

FIG. 3 is a front elevational view of the vehicle headlight;

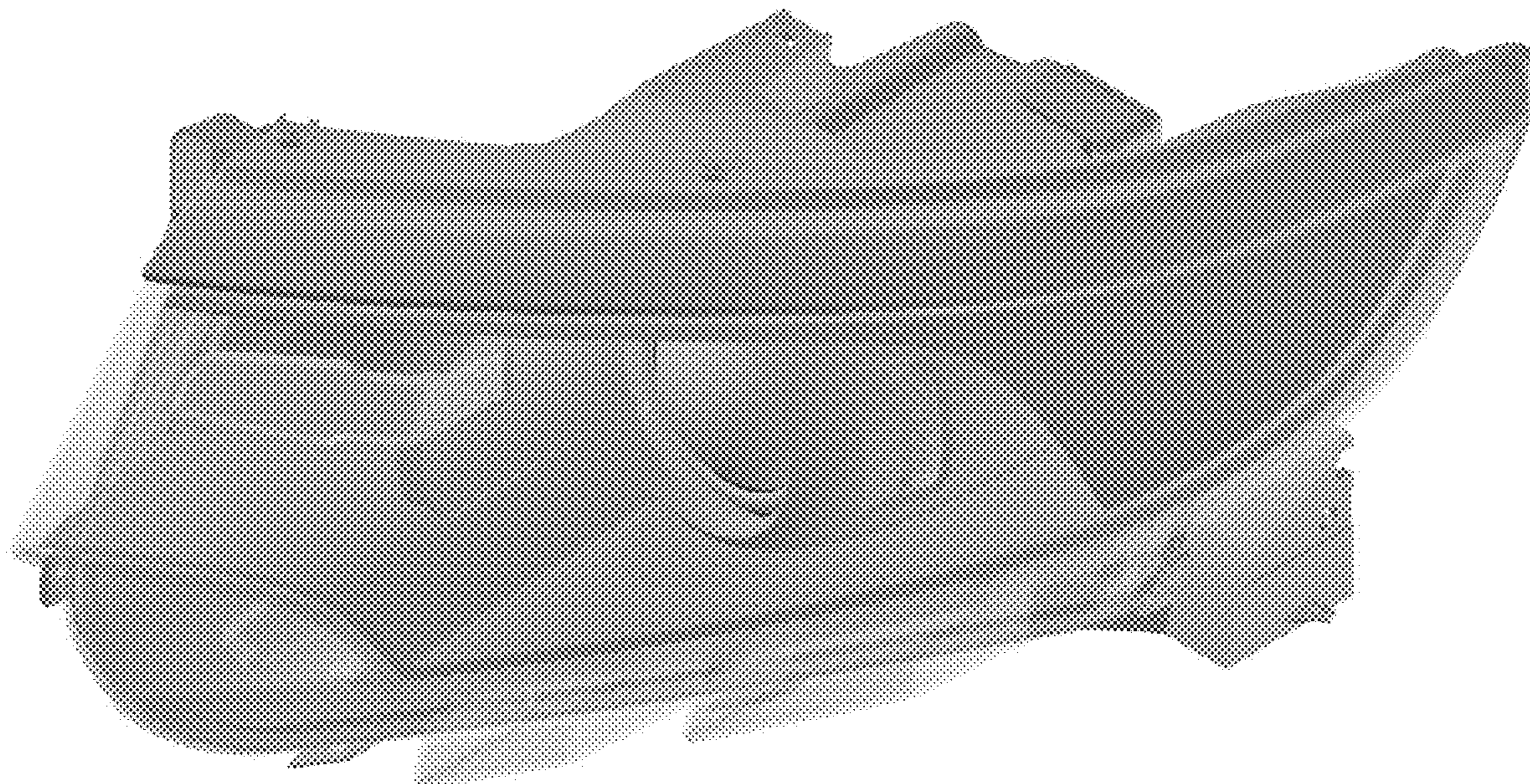
FIG. 4 is a rear elevational view of the vehicle headlight;

FIG. 5 is a top plan view of the vehicle headlight;

FIG. 6 is a bottom plan view of the vehicle headlight; and,

FIG. 7 is a perspective view of the vehicle headlight.

1 Claim, 7 Drawing Sheets



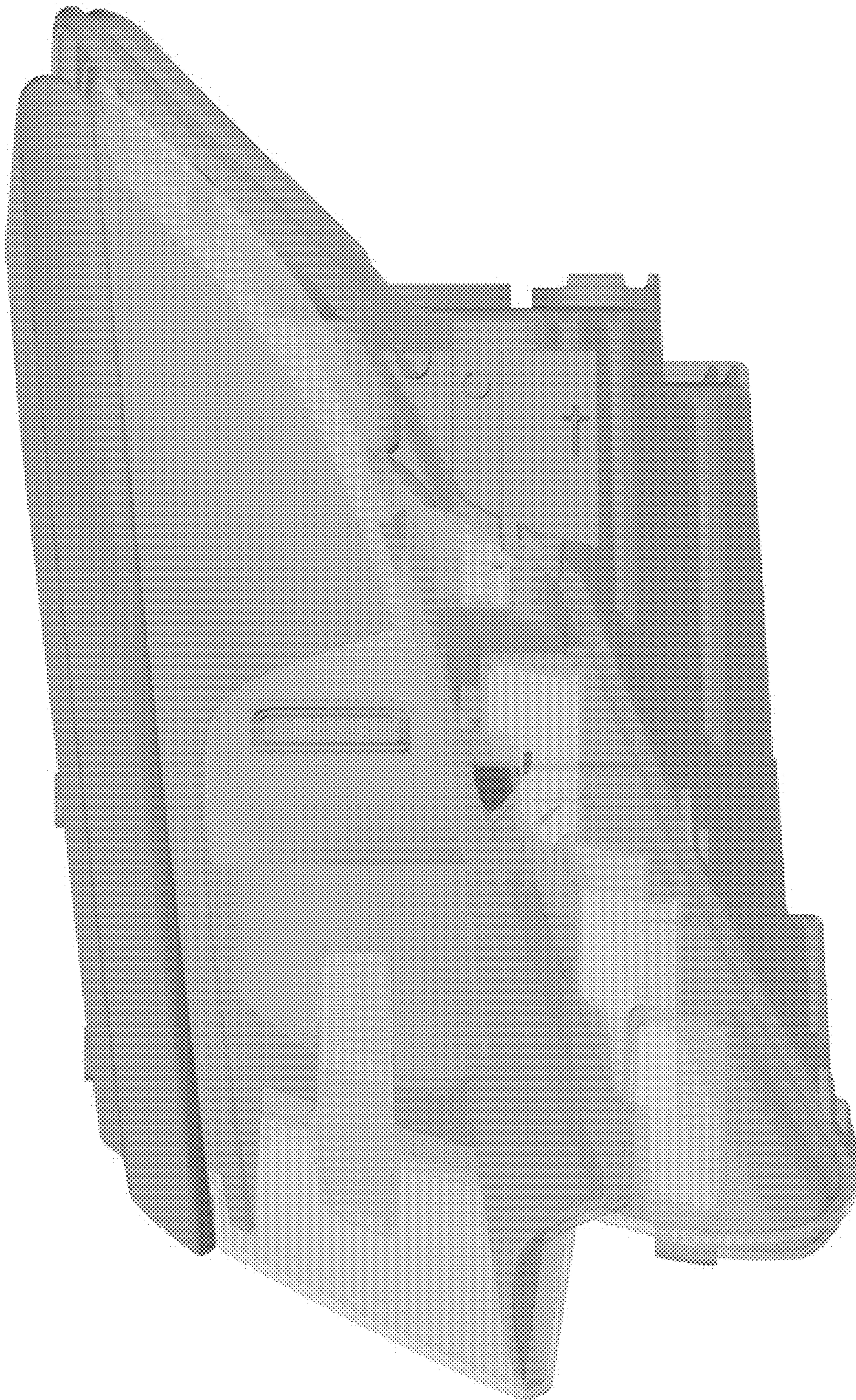


Figure 1

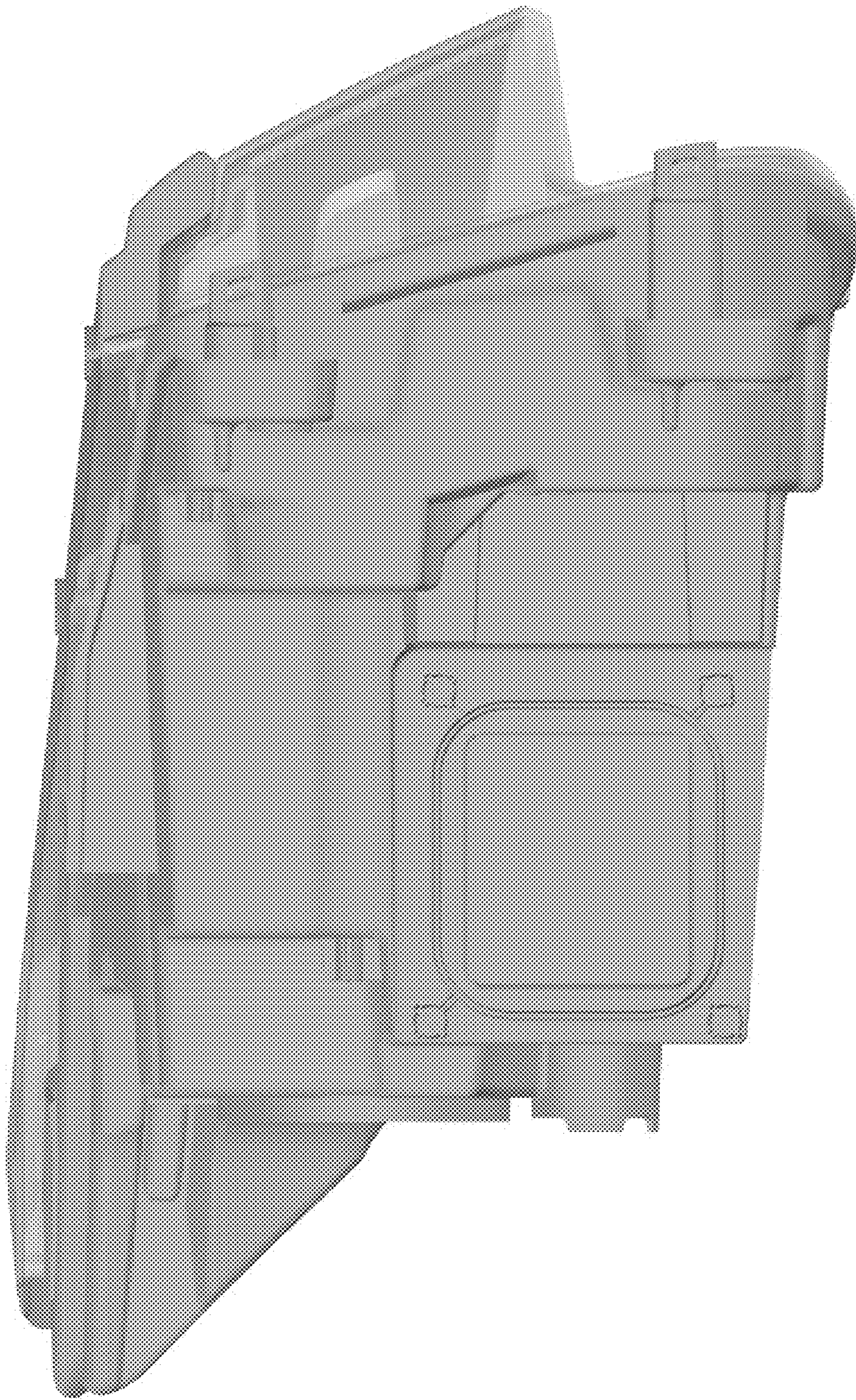


Figure 2



Figure 3

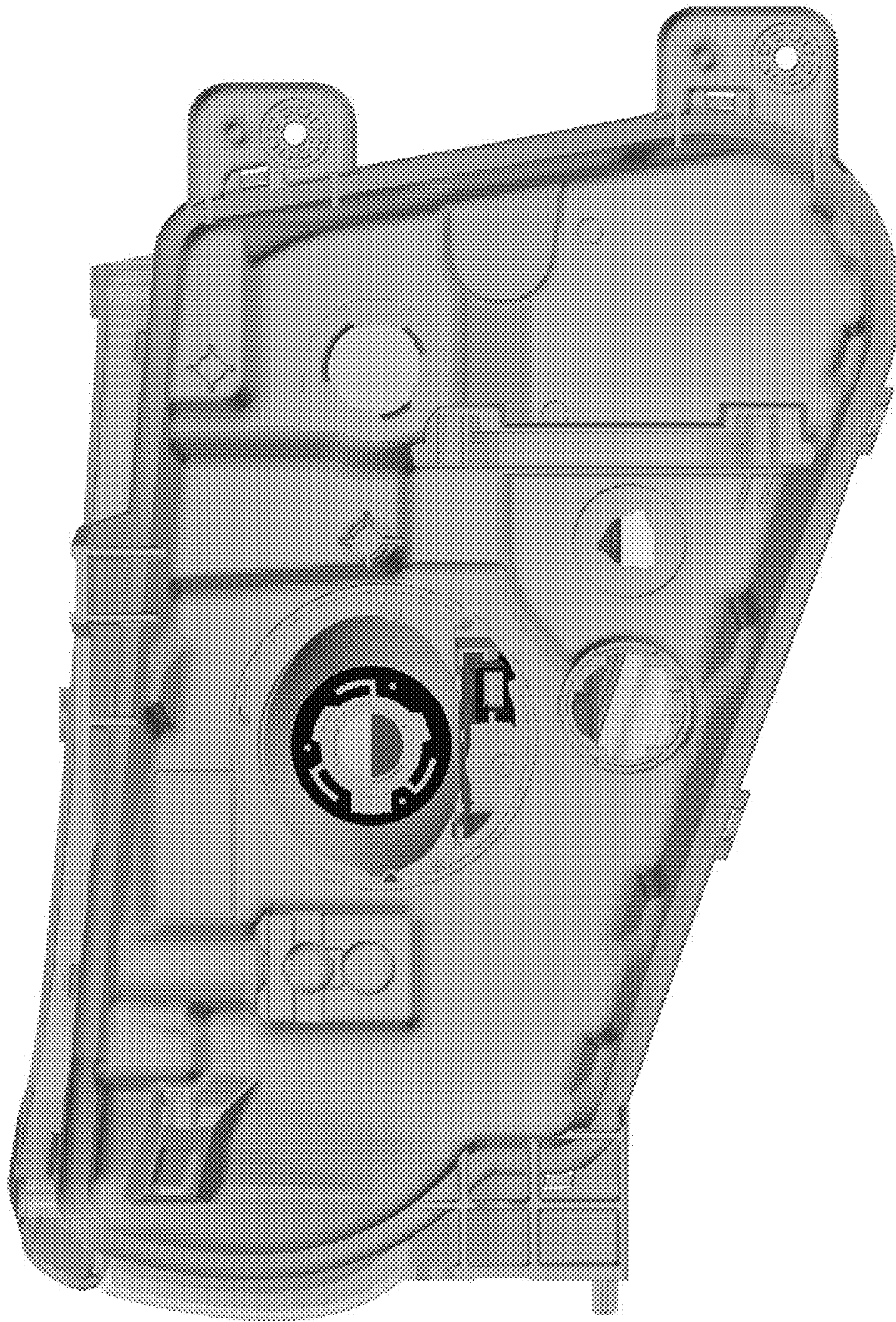


Figure 4

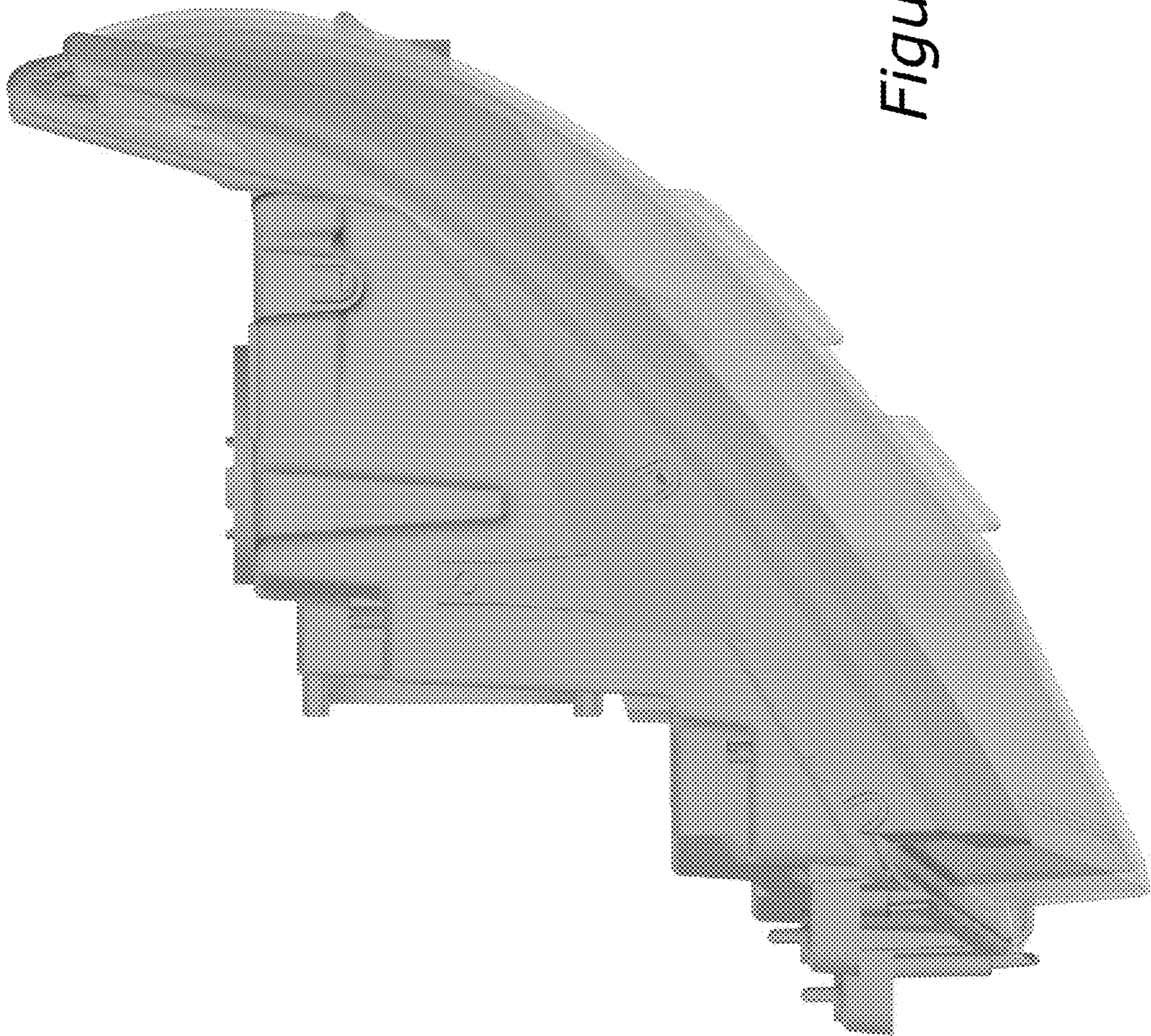
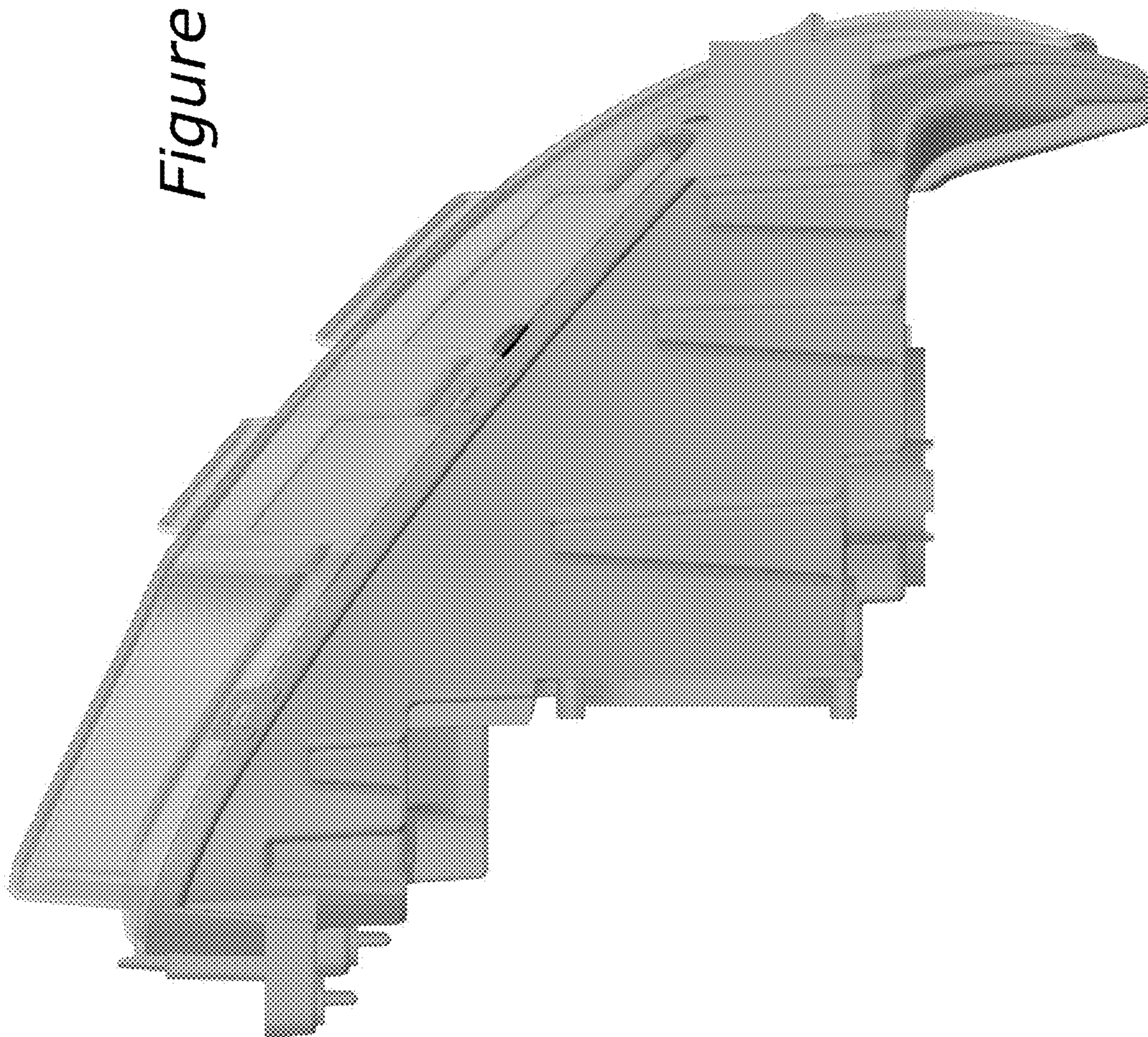


Figure 5

Figure 6



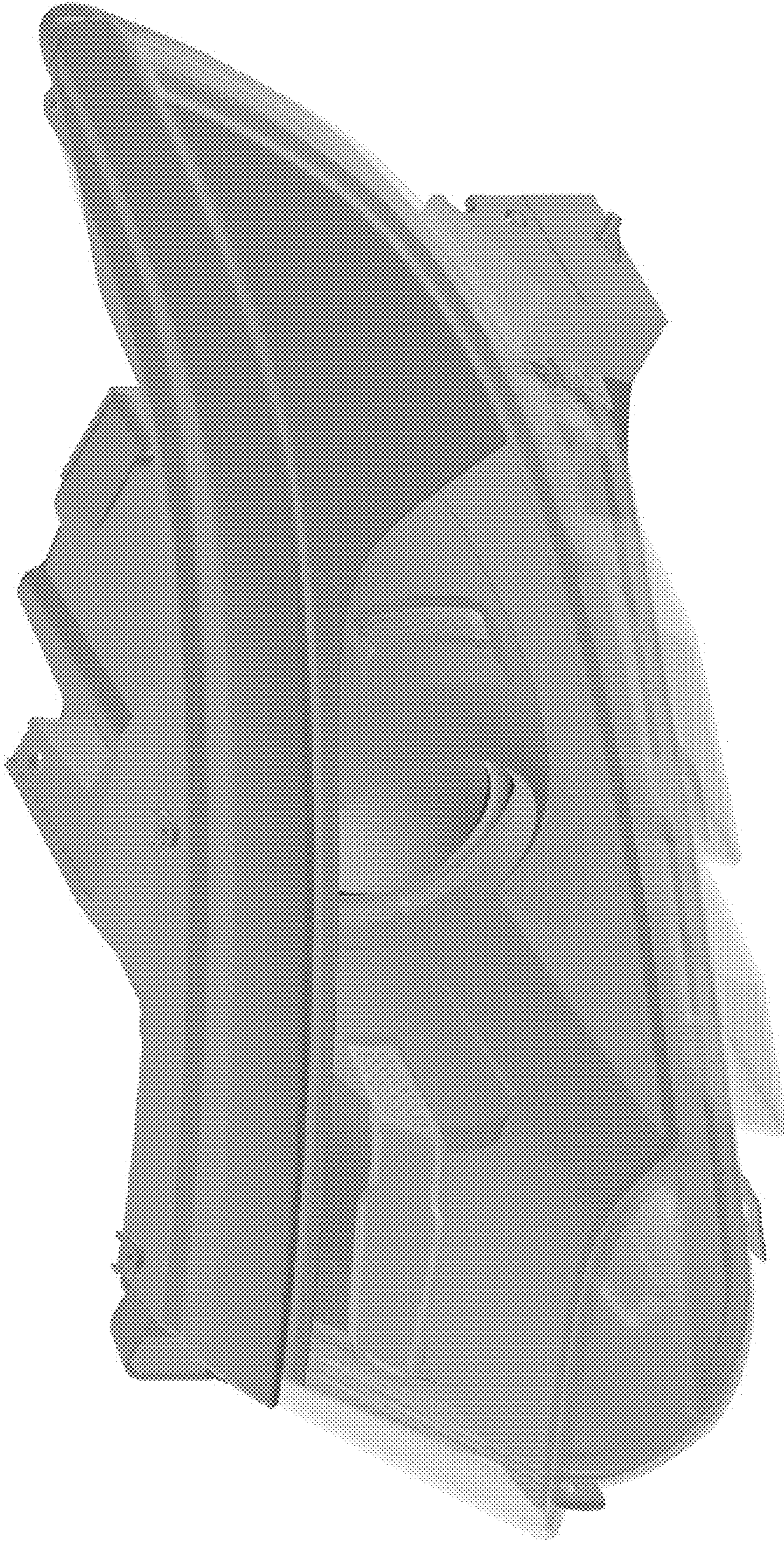


Figure 7