



US00D614326S

(12) **United States Design Patent**  
**Gueler et al.**

(10) **Patent No.:** **US D614,326 S**

(45) **Date of Patent:** **\*\* Apr. 20, 2010**

(54) **VEHICLE HEADLIGHT**

(75) Inventors: **Murat Gueler**, Köln (DE); **Stefan Lamm**, Köln (DE)

(73) Assignee: **Ford Global Technologies, LLC**, Dearborn, MI (US)

(\*\*) Term: **14 Years**

(21) Appl. No.: **29/298,786**

(22) Filed: **Dec. 13, 2007**

(30) **Foreign Application Priority Data**

Aug. 14, 2007 (DE) ..... 40704113

(51) **LOC (9) Cl.** ..... **26-04**

(52) **U.S. Cl.** ..... **D26/28**

(58) **Field of Classification Search** ..... D26/28-36;  
362/459-468, 475-478, 485-487  
See application file for complete search history.

(56) **References Cited**

**U.S. PATENT DOCUMENTS**

D549,858 S *	8/2007	Pfeiffer	.....	D26/28
D550,380 S *	9/2007	Lin	.....	D26/28
D560,292 S *	1/2008	Sato	.....	D26/28
D561,359 S *	2/2008	Hsu	.....	D26/28
D565,211 S *	3/2008	Haller et al.	.....	D26/28
D569,533 S *	5/2008	Hsu	.....	D26/28
D570,007 S *	5/2008	Hsu	.....	D26/28
D570,014 S *	5/2008	Hsu	.....	D26/28

**OTHER PUBLICATIONS**

<http://www.zercustoms.com/photos/Ford-Kuga-details.html>.

\* cited by examiner

*Primary Examiner*—Marcus A Jackson

(74) *Attorney, Agent, or Firm*—Damian Porcari

(57) **CLAIM**

The ornamental design for a vehicle headlight, as shown and described.

**DESCRIPTION**

FIG. 1 is a perspective view of a right vehicle headlight (the left vehicle headlight being a mirror of the right and is not illustrated);

FIG. 2 is a perspective view of the vehicle headlight with the lens being render transparent using Computer Aided Design tools to more clearly illustrate the interior surfaces;

FIG. 3 is a front elevational view of the vehicle headlight;

FIG. 4 is a left elevational view of the vehicle headlight;

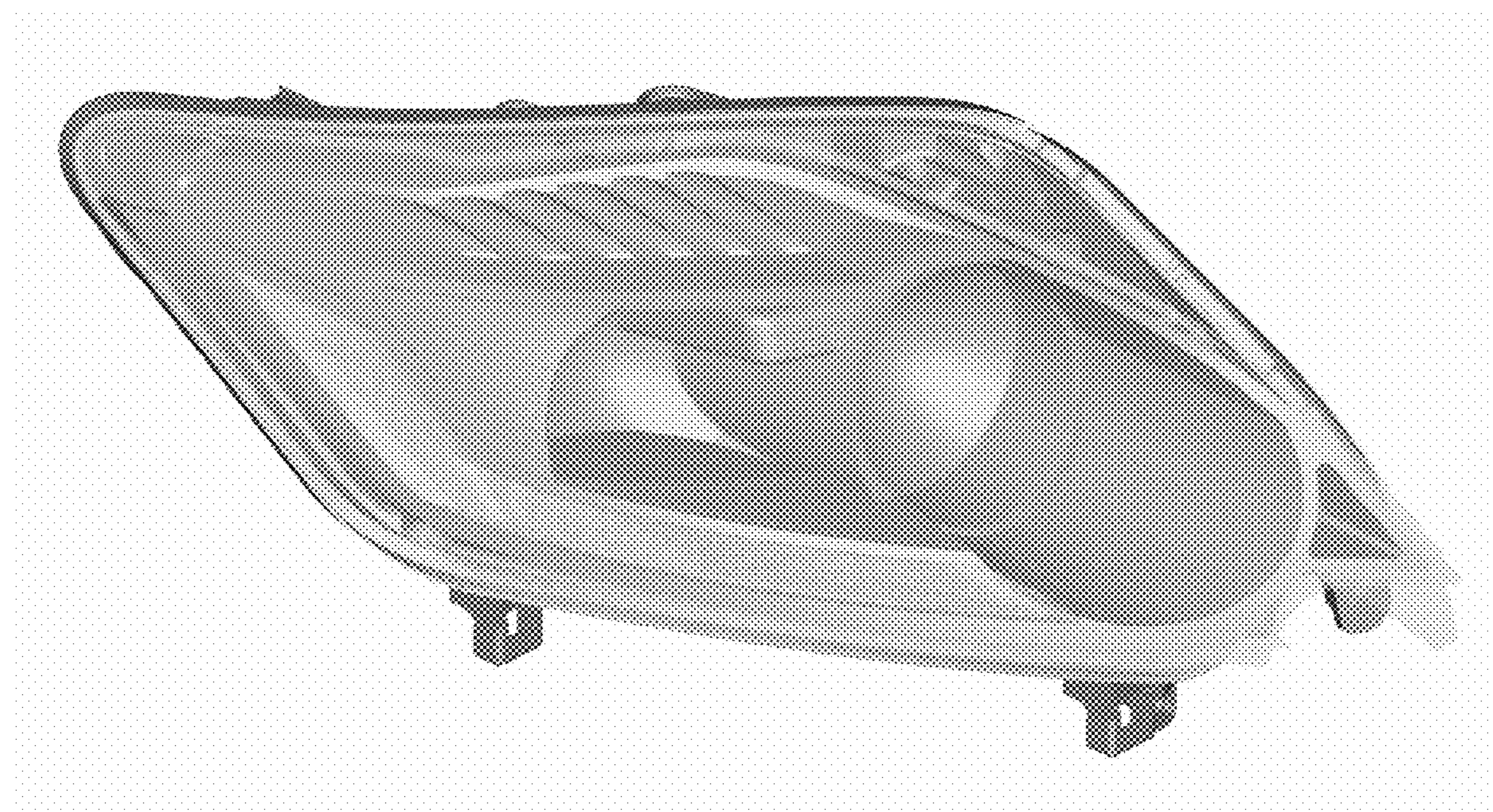
FIG. 5 is a right elevational view of the vehicle headlight;

FIG. 6 is a top plan view of the vehicle headlight; and,

FIG. 7 is a bottom plan view of the vehicle headlight.

To the extent that any feature lines are illustrated, they are intended to illustrate the crest and valley of the feature and are not necessarily sharp bends in the part. Shading is used to illustrate the curvature of the part and not color. Views are orthogonal projections unless otherwise noted. The various views are not necessarily to scale in order to better illustrate the design.

**1 Claim, 7 Drawing Sheets**



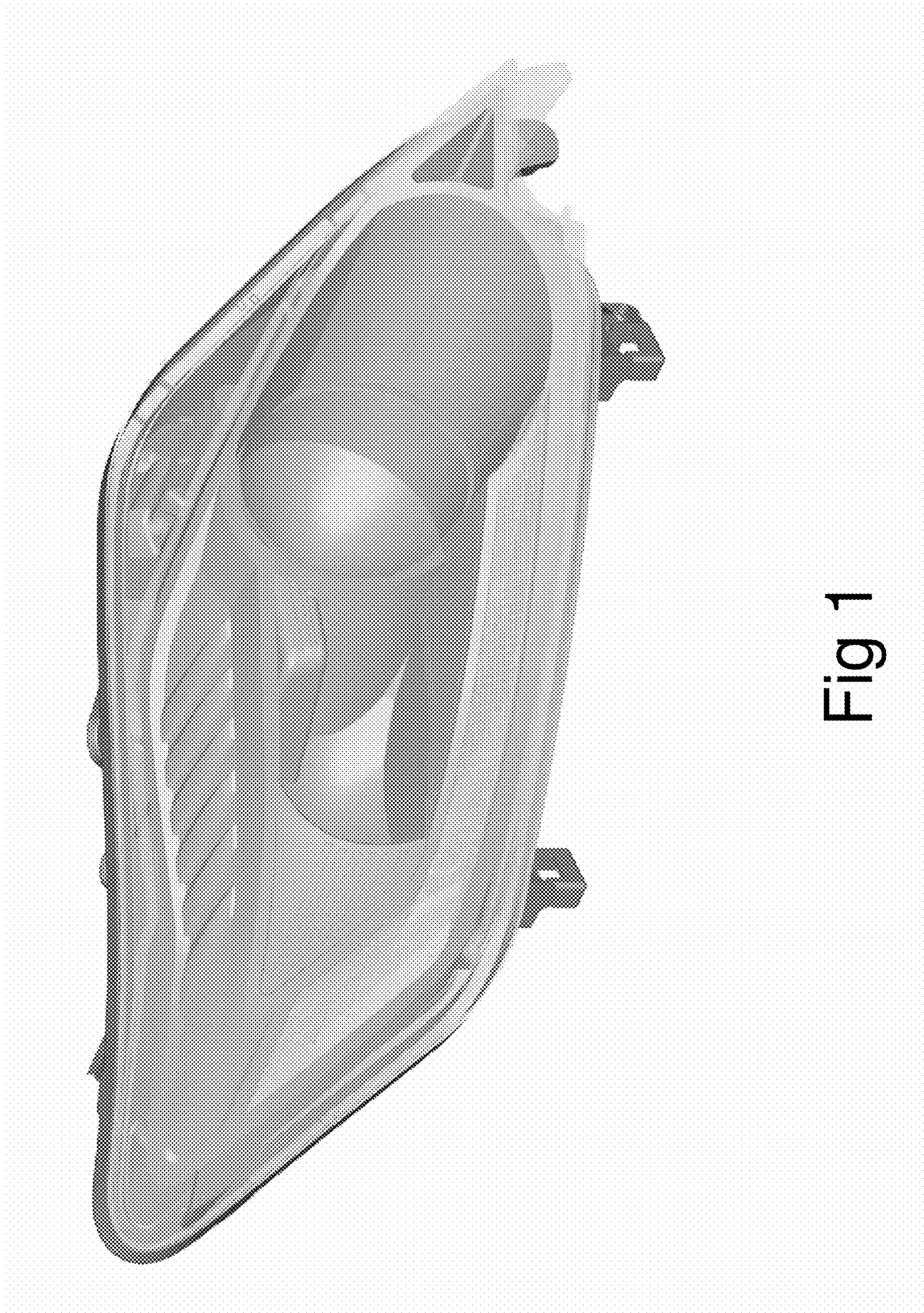


Fig 1

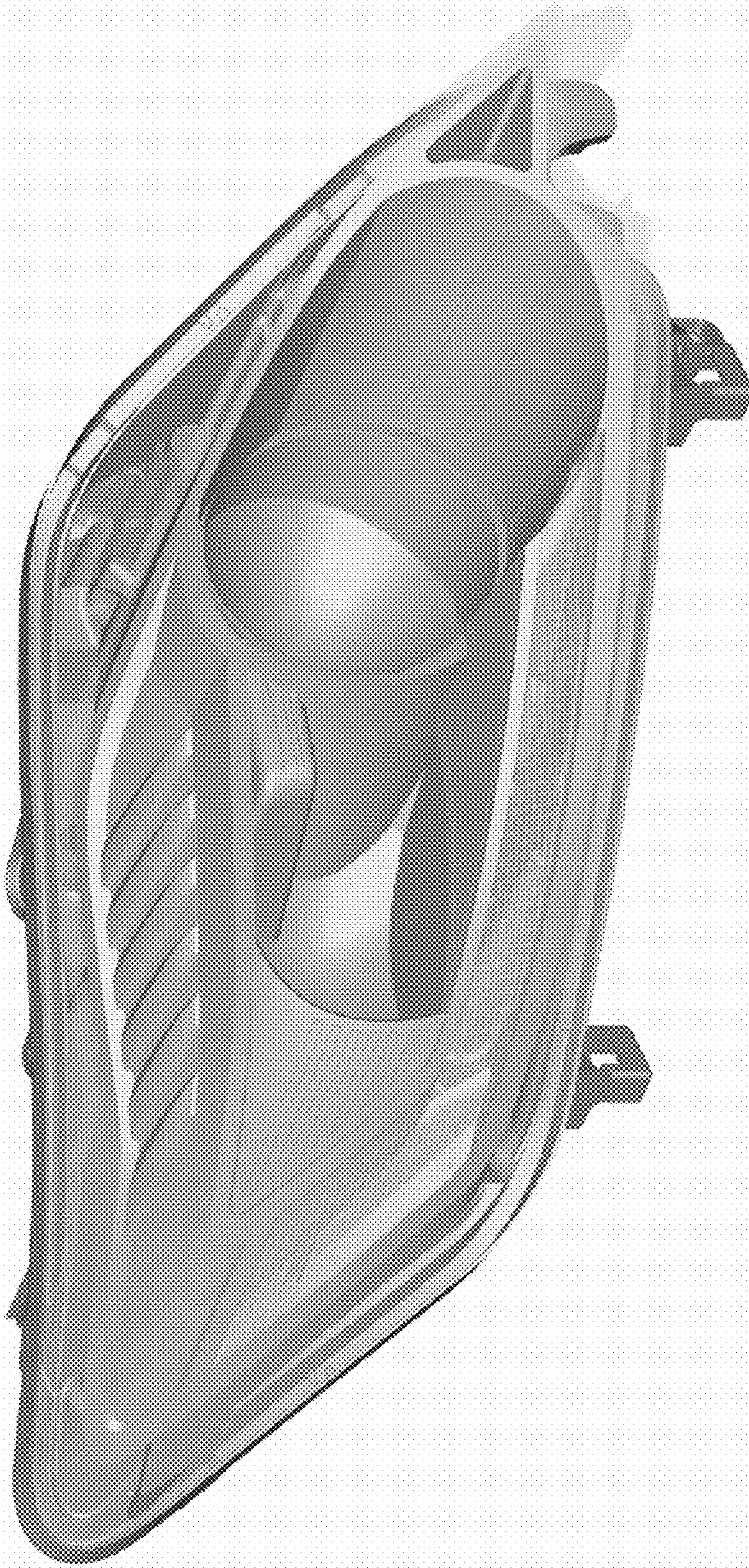


Fig 2

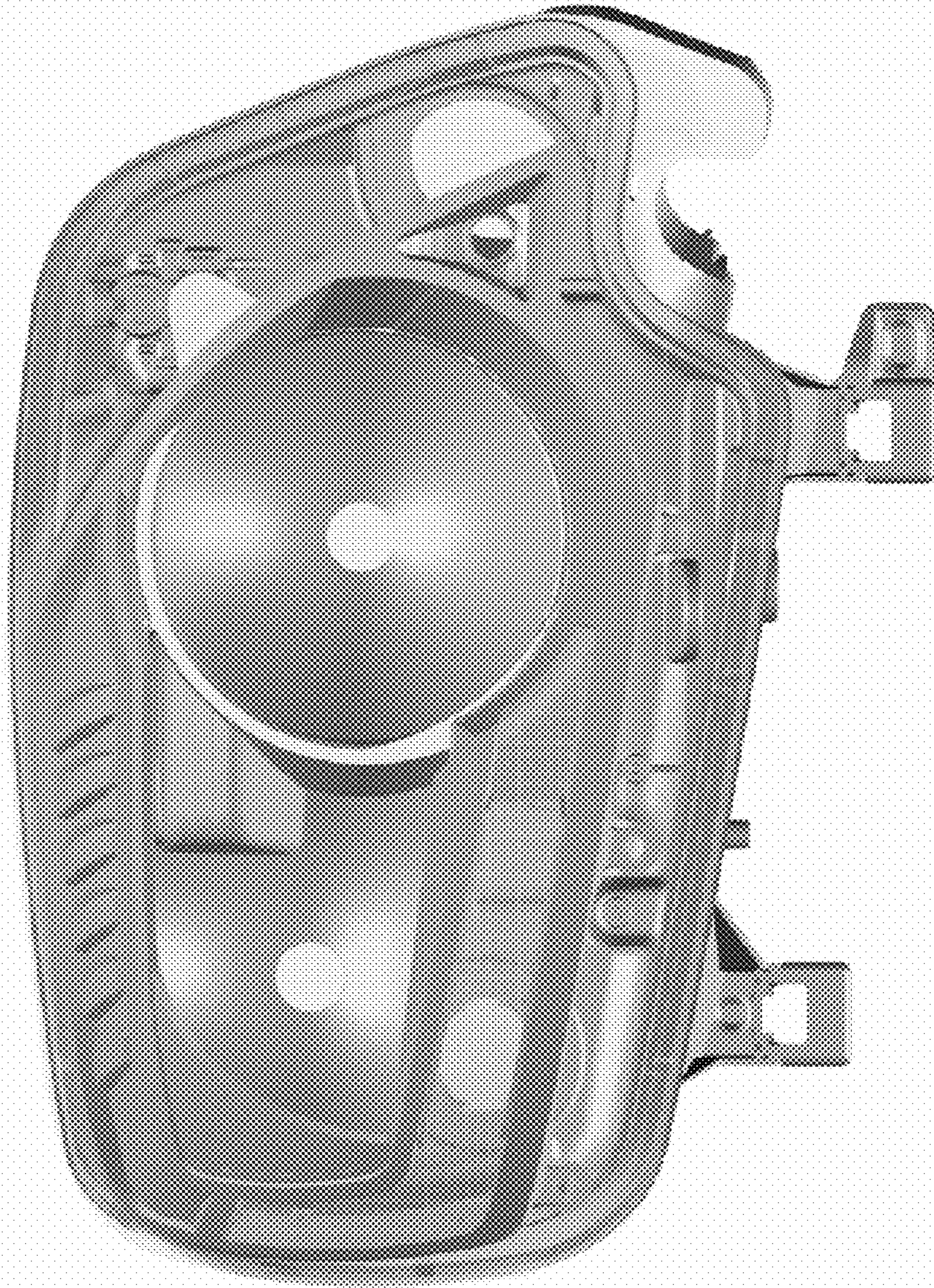


Fig 3

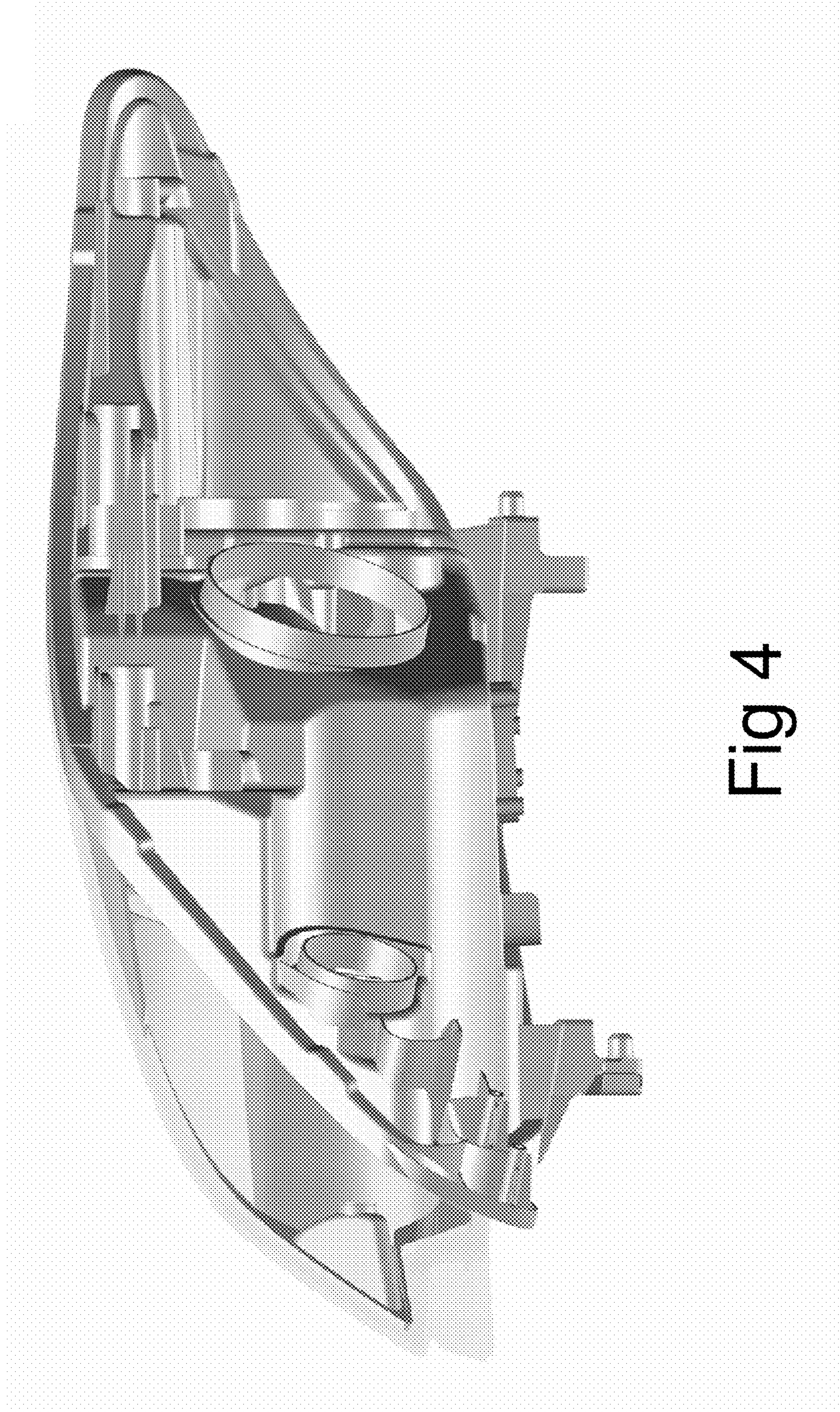


Fig 4

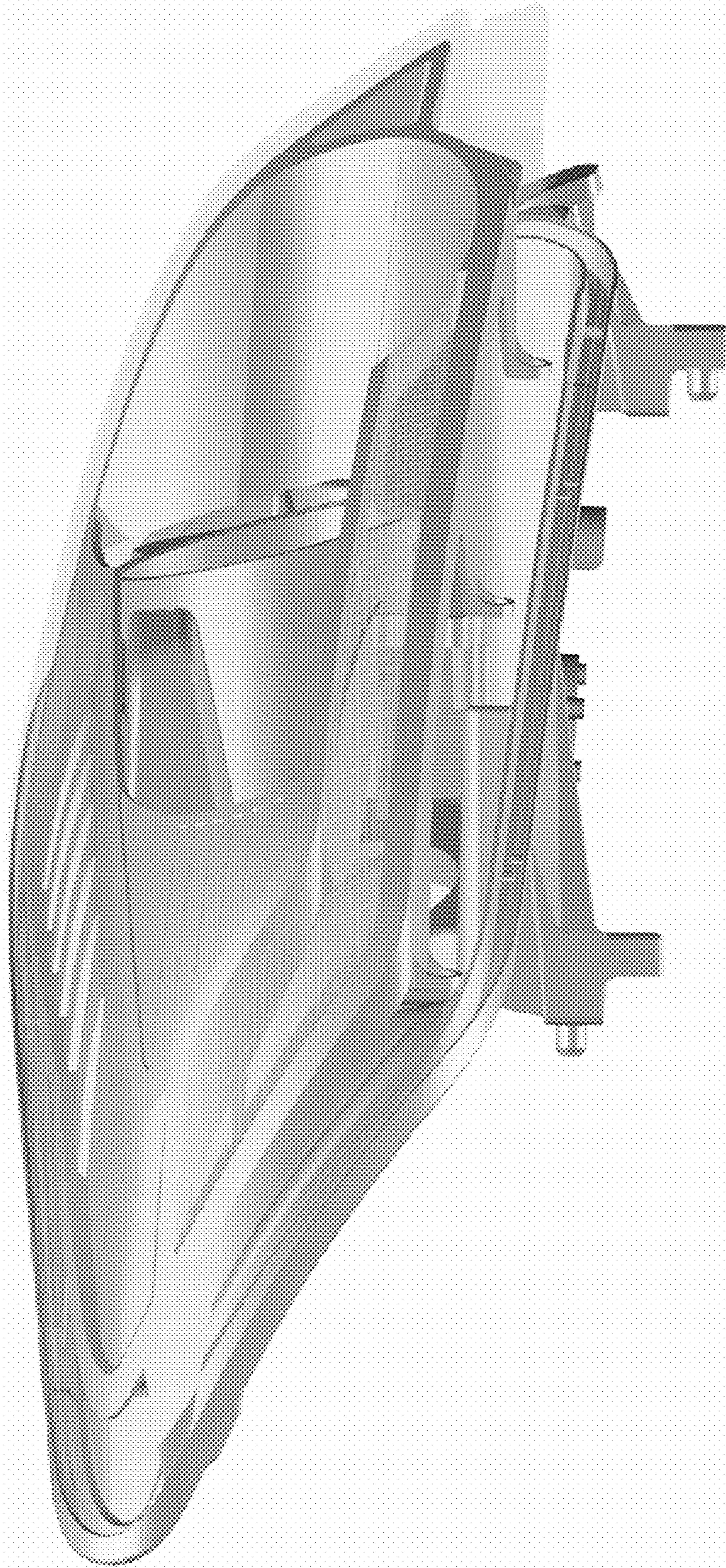
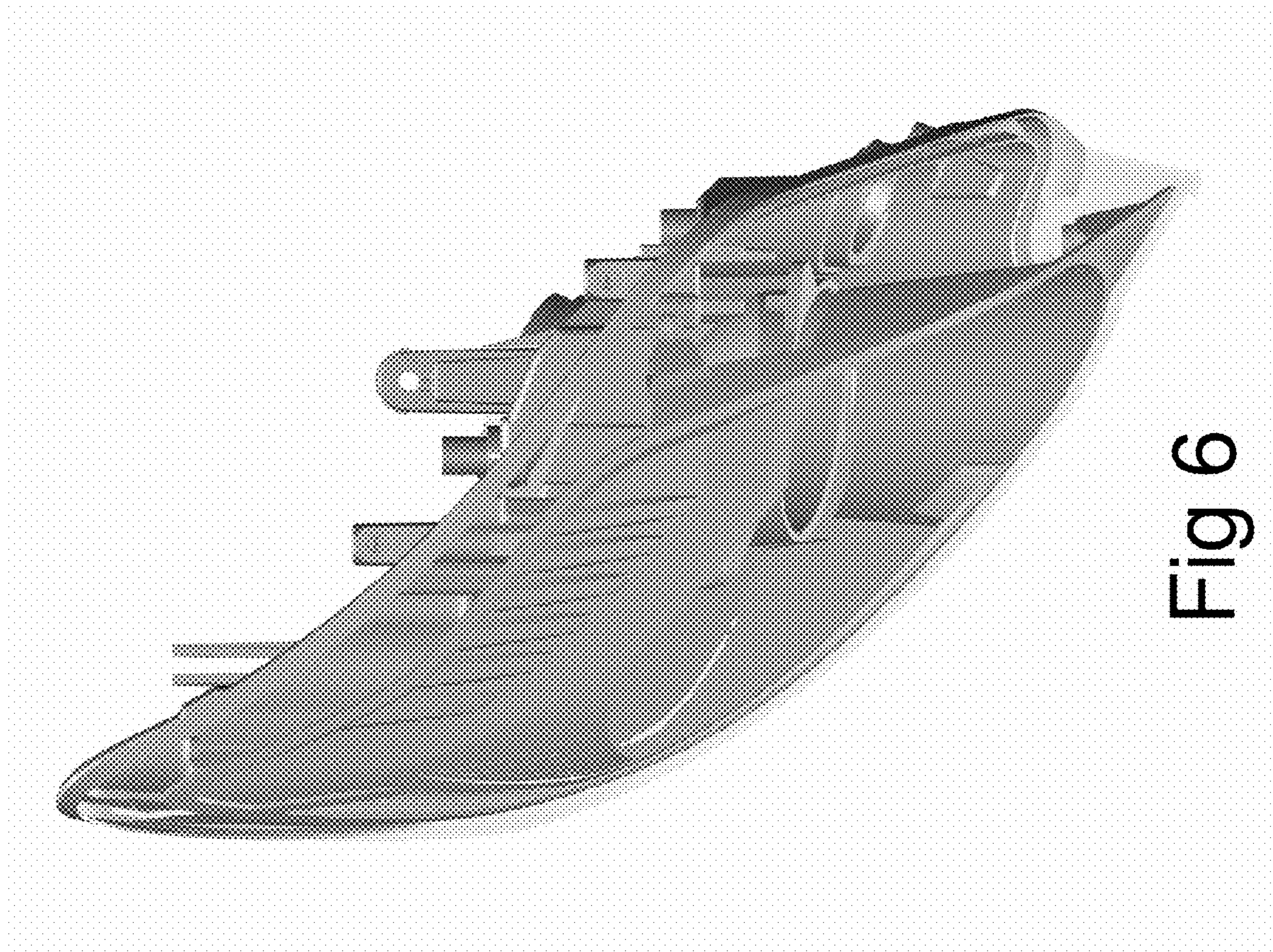


Fig 5



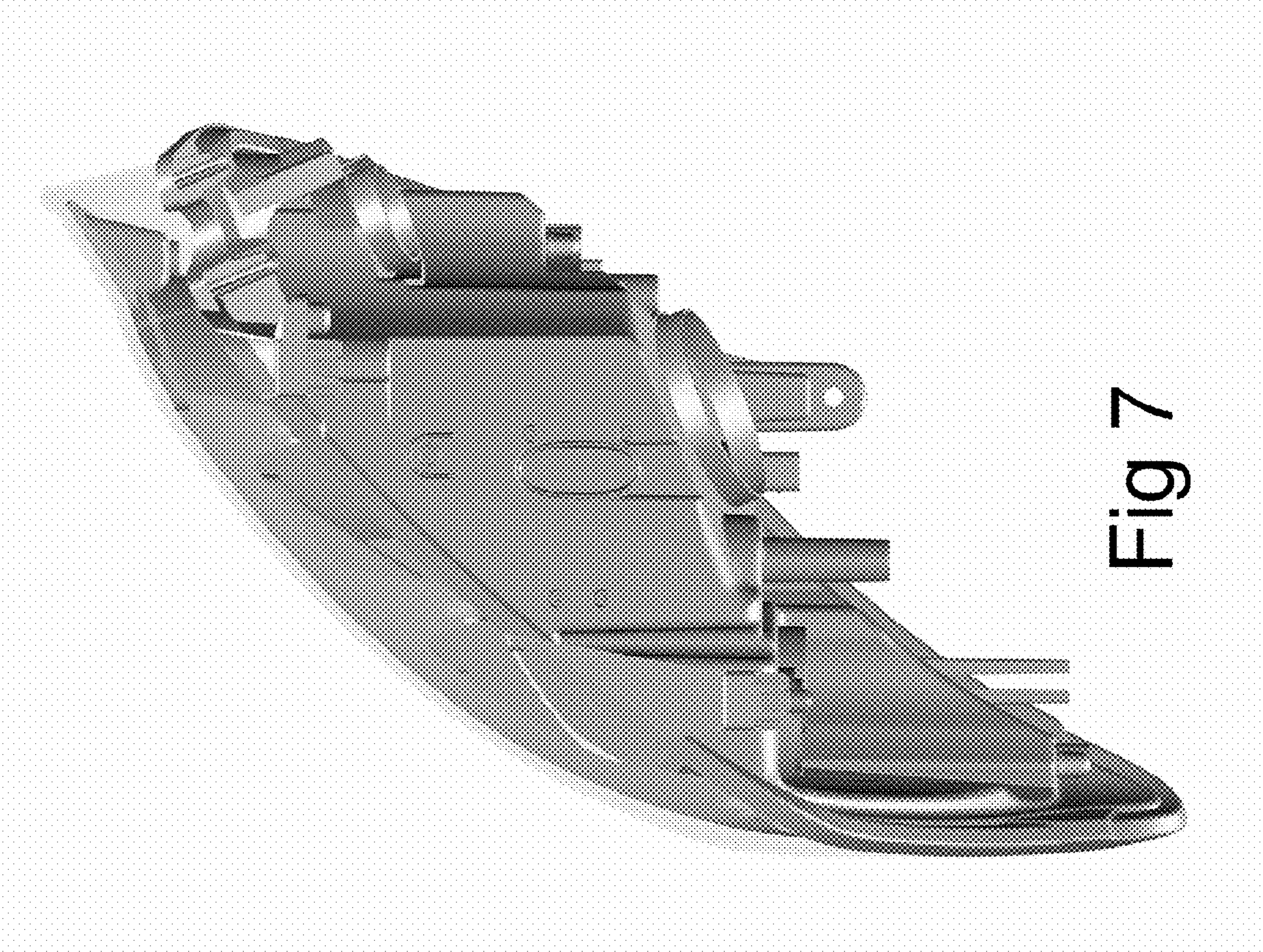


Fig 7