



US00D614325S

(12) **United States Design Patent**  
**Mier-Langner et al.**

(10) **Patent No.:** **US D614,325 S**  
(45) **Date of Patent:** **\*\* \*Apr. 20, 2010**

(54) **TRACK FIXTURE LUMINAIRE**

3,679,893 A 7/1972 Shemitz et al.  
3,701,898 A 10/1972 McNamara, Jr.  
D234,218 S \* 1/1975 Donato ..... D26/65

(75) Inventors: **Alejandro Mier-Langner**, Providence, RI (US); **James E. Kuchar**, Fall River, MA (US)

(73) Assignee: **Koninklijke Philips Electronics N.V.**, Eindhoven (NL)

(Continued)

(\*\*) Term: **14 Years**

**OTHER PUBLICATIONS**

(21) Appl. No.: **29/317,777**

Lightolier a Genlyte company, Tangent Track Lighting System FX16SC, copyright 2007, [retrieved on Mar. 20, 2009]. Retrieved from Internet <http://www.lightolier.com>.\*

(22) Filed: **May 6, 2008**

(Continued)

(51) **LOC (9) Cl.** ..... **26-05**

(52) **U.S. Cl.** ..... **D26/26**

(58) **Field of Classification Search** ..... D26/60,  
D26/61, 62, 63, 64, 65, 66, 72, 81, 88, 89,  
D26/90, 91, 154, 24, 44, 77, 119, 121, 152,  
D26/75, 85; 362/145, 147, 148, 150, 218,  
362/220, 223, 648, 227, 238, 239, 249, 250,  
362/372, 418, 430, 269, 270, 271, 272, 273,  
362/274, 277, 278, 282, 283, 285, 287, 288,  
362/290, 309, 427

*Primary Examiner*—Jennifer Rivard  
*Assistant Examiner*—Angela J Lee

(57) **CLAIM**

The ornamental design for a track fixture luminaire, as shown and described.

See application file for complete search history.

**DESCRIPTION**

(56) **References Cited**

**U.S. PATENT DOCUMENTS**

1,370,255 A	3/1921	Zimmermann, Jr.
1,413,315 A	4/1922	Correll
1,429,762 A	9/1922	Oliver
1,568,942 A	1/1926	Haley
1,590,130 A	6/1926	Sturgeon, Jr.
1,770,726 A	7/1930	Bauersfeld
RE17,825 E	10/1930	Linton et al.
1,821,955 A	9/1931	Wuelker
2,089,610 A	8/1937	Kloos
D113,125 S	1/1939	Stewart
2,143,673 A	1/1939	Baumgartner
2,202,266 A	5/1940	Phillips
2,242,590 A	5/1941	Moreau
D130,059 S	10/1941	Herr
D163,762 S	6/1951	McCann
2,595,520 A	5/1952	Guerin

FIG. 1 is a front perspective view of the track fixture luminaire of the present invention;

FIG. 2 is a left side view of the design of the present invention; the right side view is a mirror image of the left side view and is not shown;

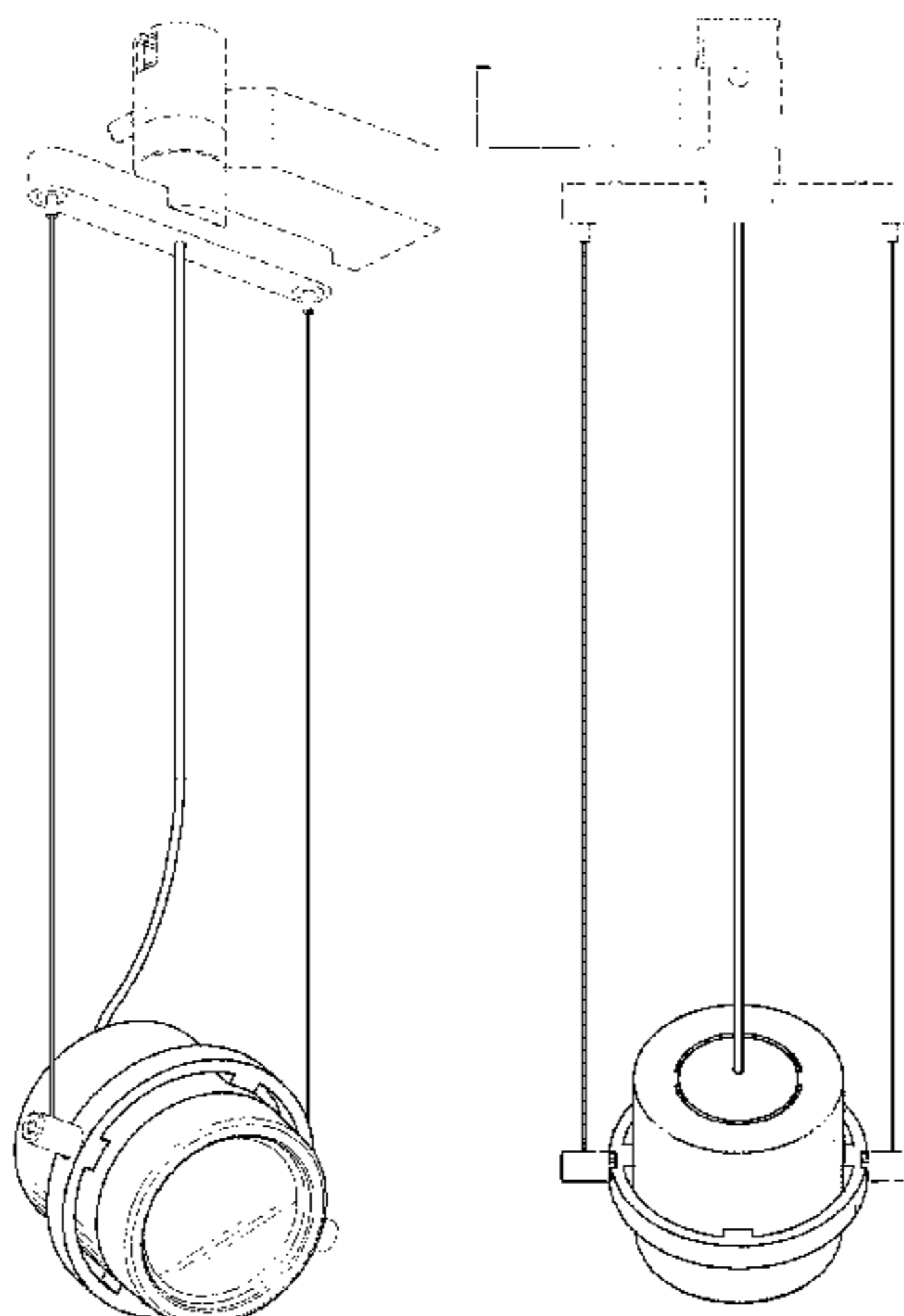
FIG. 3 is a front view of the design of the present invention;

FIG. 4 is a rear view of the design of the present invention; and,

FIG. 5 is a bottom view of the design of the present invention.

The broken lines showing environmental structure are for illustrative purposes only and form no part of the claimed design.

**1 Claim, 5 Drawing Sheets**



# US D614,325 S

Page 2

## U.S. PATENT DOCUMENTS

3,902,059 A	8/1975	McNamara, Jr.		D445,936 S	7/2001	Mier-Langner et al.	
4,128,333 A	12/1978	Levin et al.		D445,943 S	7/2001	Littman	
4,153,929 A	5/1979	Laudenschlager et al.		D446,874 S	8/2001	Demshki	
D280,346 S	8/1985	Aspenwall		D447,260 S	8/2001	Demshki	
D286,206 S	10/1986	Joosten et al.		D449,397 S	10/2001	Demshki	
D295,329 S	4/1988	Roos et al.		D450,405 S	11/2001	Demshki	
D323,565 S *	1/1992	Woodgate .....	D26/63	D455,518 S	4/2002	Littman	
D349,173 S	7/1994	Fellinger		D457,679 S	5/2002	Littman	
D355,722 S *	2/1995	Roos et al. ....	D26/63	D457,977 S	5/2002	Mier-Langner et al.	
D356,382 S	3/1995	Jaksich		6,382,817 B1	5/2002	Chelf	
D359,574 S	6/1995	Bornhorst et al.		D459,014 S	6/2002	Chen	
D360,959 S	8/1995	Donato et al.		D459,514 S	6/2002	Mier-Langner et al.	
D370,069 S	5/1996	Mier-Langner et al.		D460,835 S	7/2002	Chen	
D370,075 S	5/1996	Mier-Langner et al.		D461,019 S	7/2002	Donato	
D371,861 S	7/1996	Stamm		D463,879 S	10/2002	Mier-Langner et al.	
D380,847 S	7/1997	Mier-Langner et al.		D464,455 S *	10/2002	Fong et al. ....	D26/63
D385,372 S	10/1997	Mier-Langner et al.		D465,046 S *	10/2002	Layne et al. ....	D26/63
D389,260 S	1/1998	Mier-Langner et al.		D465,867 S *	11/2002	Ward .....	D26/63
D394,723 S	5/1998	Mier-Langner et al.		D472,337 S	3/2003	Bernhart et al.	
5,765,939 A	6/1998	Tanner, Jr.		D474,304 S	5/2003	Mier-Langner et al.	
D399,330 S *	10/1998	Geier et al. ....	D26/88	D475,157 S	5/2003	Mier-Langner et al.	
D400,997 S *	11/1998	Cheun et al. ....	D26/63	D488,880 S *	4/2004	Rahn .....	D26/72
D402,964 S	12/1998	Kuchar et al.		D505,221 S	5/2005	Hetfield	
D407,521 S *	3/1999	Crosby .....	D26/88	D509,616 S	9/2005	Hetfield	
D413,176 S	8/1999	Mier-Langner		D511,222 S	11/2005	Hetfield	
D417,300 S	11/1999	Stacy et al.		D513,439 S	1/2007	Hetfield	
5,988,829 A	11/1999	Holder		D558,381 S	12/2007	Horn et al.	
D430,326 S	8/2000	Littman		D563,022 S	2/2008	Hetfield et al.	
D433,178 S	10/2000	Donato		D563,025 S	2/2008	Hetfield et al.	
6,135,613 A	10/2000	Bodell et al.		D563,590 S	3/2008	Hetfield et al.	
D433,763 S	11/2000	Donato		7,476,010 B2 *	1/2009	Johnson .....	362/373
D436,211 S	1/2001	Neeld et al.		2006/0013009 A1 *	1/2006	Falco .....	362/418
D436,678 S	1/2001	Mier-Langner et al.					
D437,437 S	2/2001	Donato					
D437,953 S	2/2001	Donato					
D438,326 S	2/2001	Kan					
D440,343 S	4/2001	Littman					
D442,717 S *	5/2001	Binsukor .....	D26/63				
D443,940 S	6/2001	Donato					
D443,945 S	6/2001	Littman					
D444,251 S	6/2001	Donato					

## OTHER PUBLICATIONS

Lightolier a Genlyte company, Tangent Track Lighting System FX16GC, copyright 2007, [retrieved on Mar. 20, 2009]. Retrieved from Internet <<http://www.lightolier.com>>.\*

Lightolier's Tangent, Aug. 21, 2007 [online], [Retrieved on Mar. 19, 2009]. Retrieved from Internet <[http://www.ebuild.com/article-list/lighting-wiring-devices--generators/lighting-fixtures\\_5.hwx](http://www.ebuild.com/article-list/lighting-wiring-devices--generators/lighting-fixtures_5.hwx)>.\*

\* cited by examiner

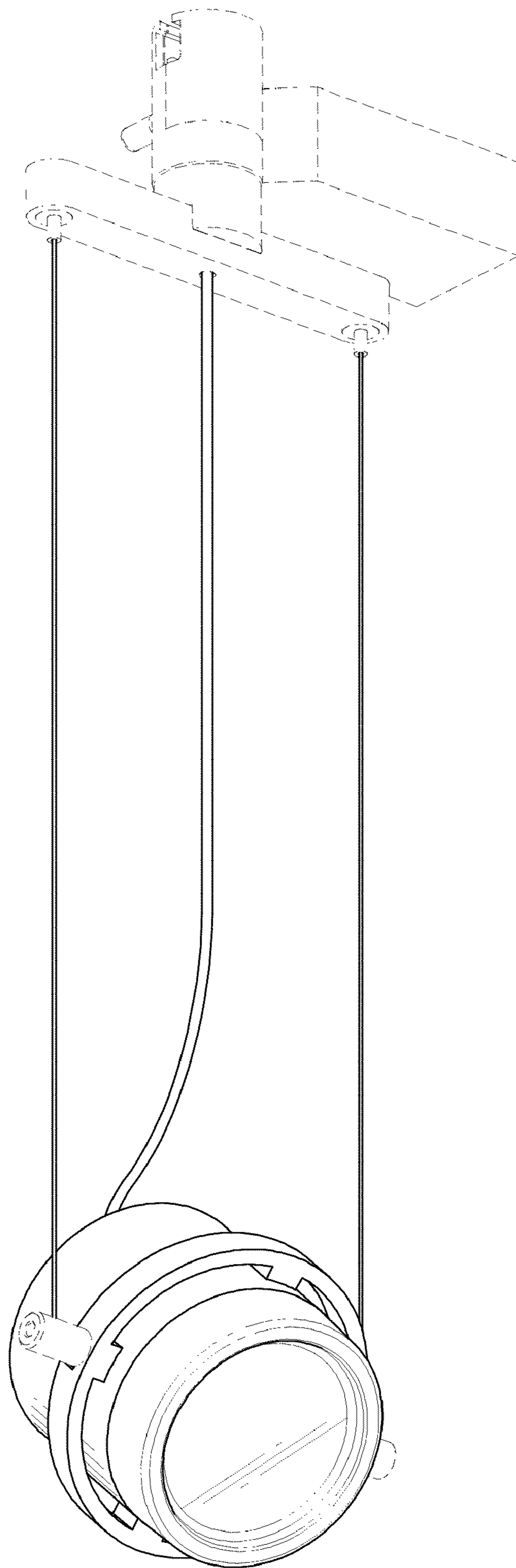


FIG. 1

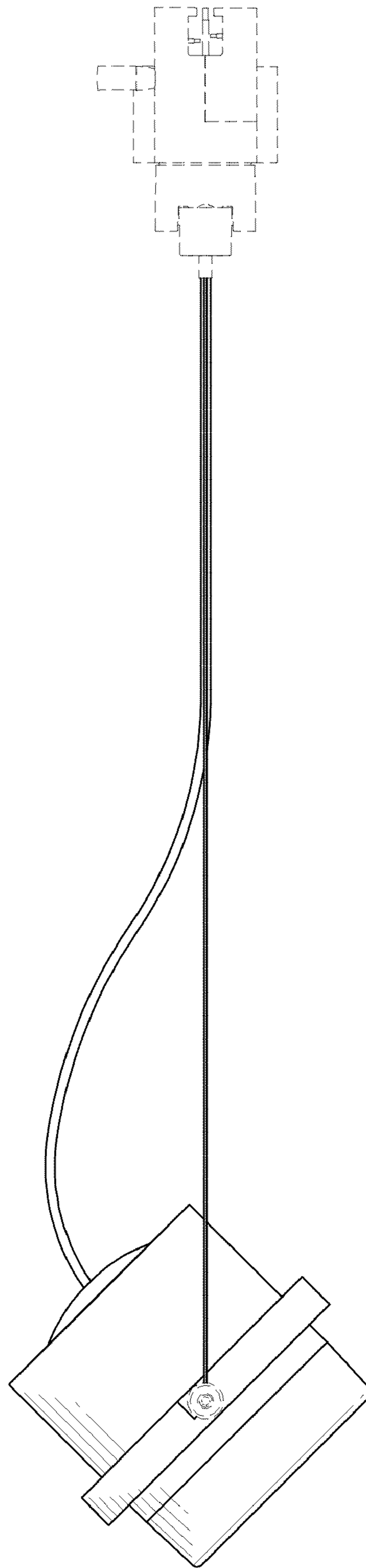


FIG. 2

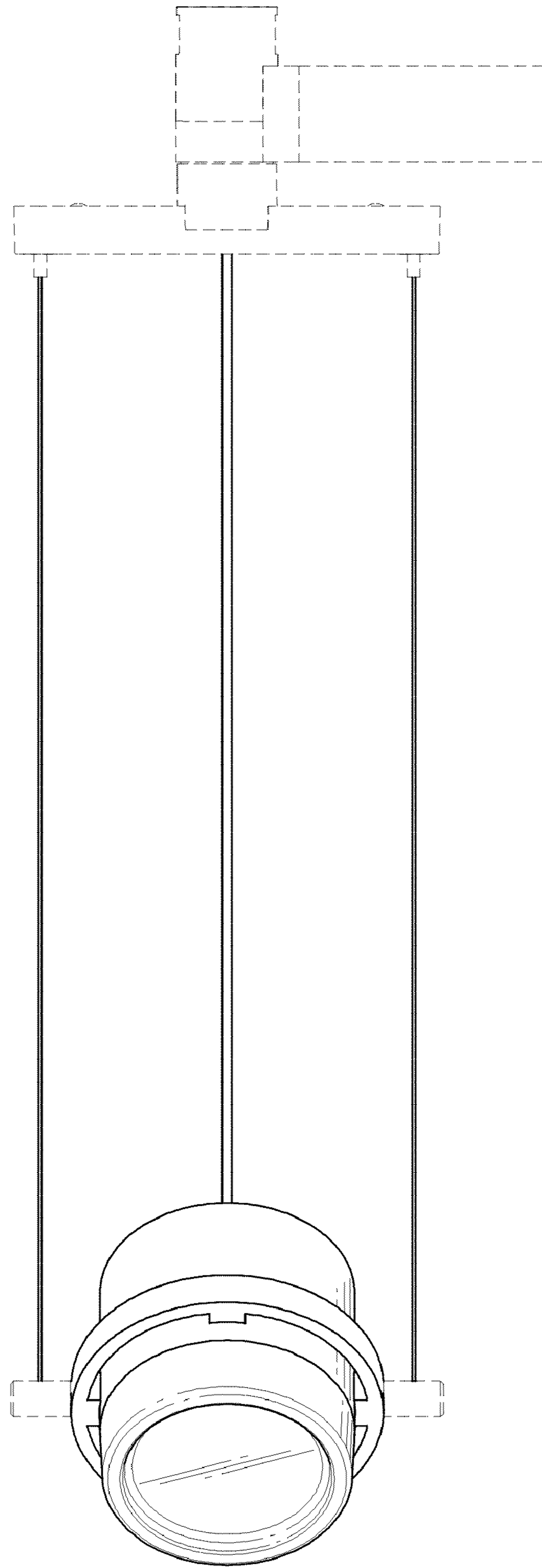


FIG. 3

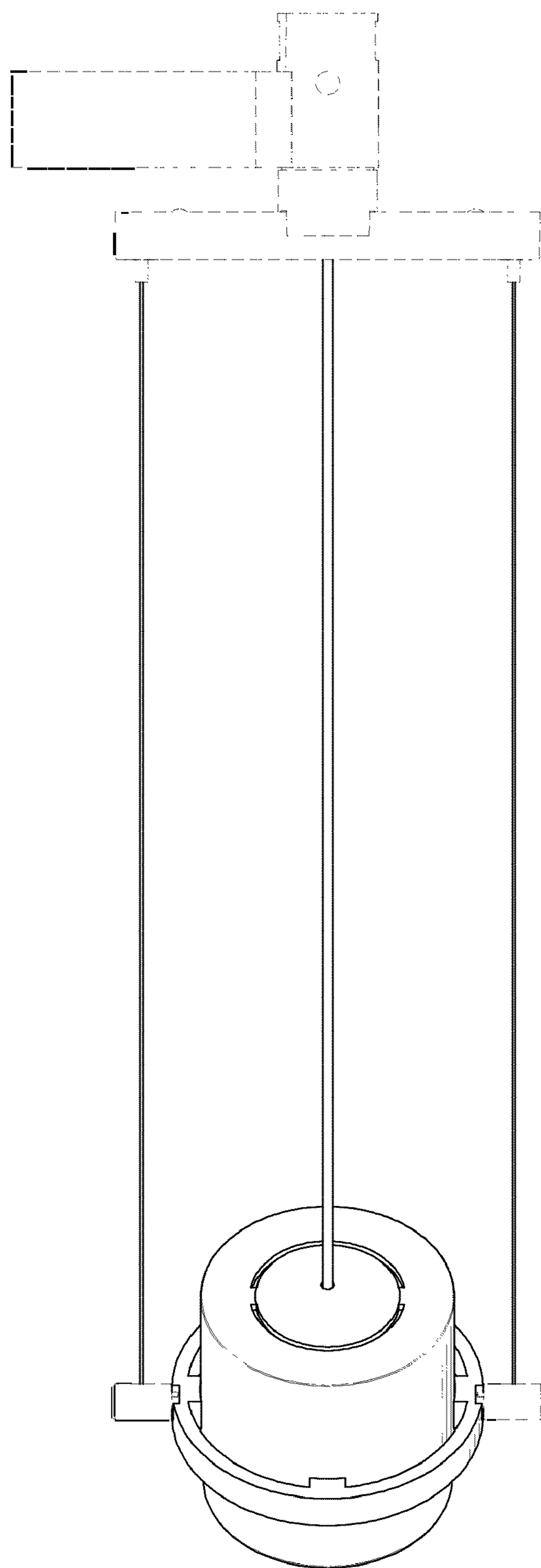


FIG. 4

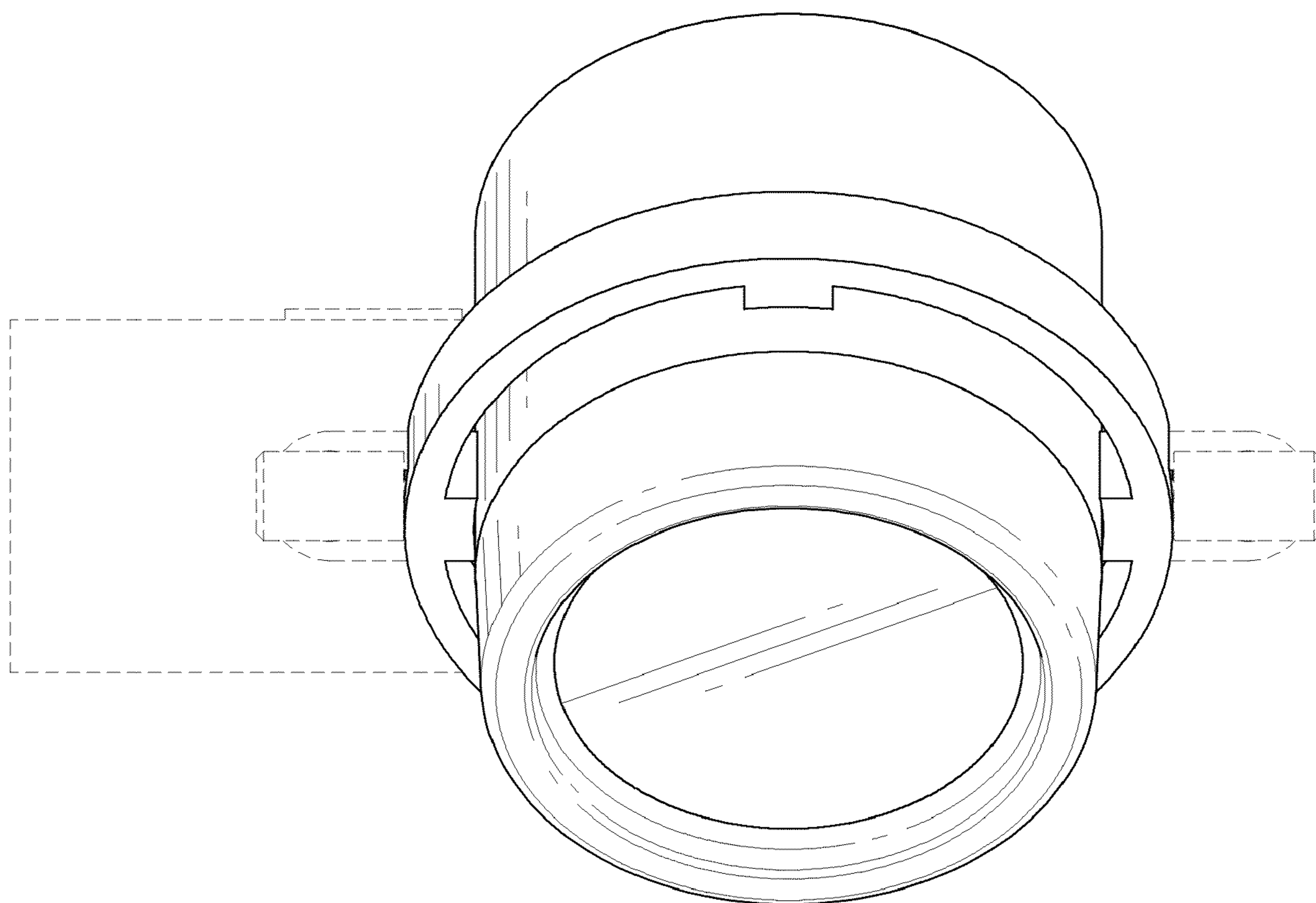


FIG. 5