



US00D614323S

(12) **United States Design Patent**
Stewart et al.

(10) **Patent No.:** **US D614,323 S**

(45) **Date of Patent:** **** Apr. 20, 2010**

(54) **LED LIGHT**

2008/0192508 A1 8/2008 Busby

(75) Inventors: **Glenn Stewart**, Dallas, TX (US);
Thomas O. Deans, Flower Mound, TX (US)

(73) Assignee: **Spirit Merchandise Group, Inc.**,
Carrollton, TX (US)

(**) Term: **14 Years**

(21) Appl. No.: **29/334,376**

(22) Filed: **Mar. 25, 2009**

Related U.S. Application Data

(63) Continuation of application No. 12/334,261, filed on Dec. 12, 2008.

(51) **LOC (9) Cl.** **26-06**

(52) **U.S. Cl.** **D26/3**

(58) **Field of Classification Search** D26/1-4;
313/313, 315, 316, 317, 318, 493; 315/52,
315/53, 56, 57, 58

See application file for complete search history.

(56) **References Cited**

U.S. PATENT DOCUMENTS

4,598,341 A	7/1986	Brackhahn et al.	
D506,274 S *	6/2005	Moriyama et al. D26/3
D550,379 S *	9/2007	Hoshikawa et al. D26/25
D574,093 S *	7/2008	Kitagawa et al. D26/3
D576,749 S *	9/2008	Kitagawa et al. D26/3
D577,138 S *	9/2008	Kitagawa et al. D26/37

OTHER PUBLICATIONS

“LED PL13 Task Light Lamp, Model: UBW24WK120P13”; Wall-Man LED Lighting, Charlottesville, VA; (created Aug. 27, 2008); www.wattmanledlamp.com; 1 p.

“AN1916 Application Note, VIPower: Offline Constant Current LED Driver Using VIPer12/22A”; STMicroelectronics; Aug. 2006; pp. 1-45.

* cited by examiner

Primary Examiner—Marcus A Jackson

(74) *Attorney, Agent, or Firm*—David W. Carstens; Carstens & Cahoon, LLP

(57) **CLAIM**

The ornamental design for a LED Light, as shown.

DESCRIPTION

FIG. 1 is a top perspective view of an LED Light showing our new design;

FIG. 2 is a left side elevational view thereof;

FIG. 3 is a front side elevational view thereof;

FIG. 4 is a back side elevational view thereof;

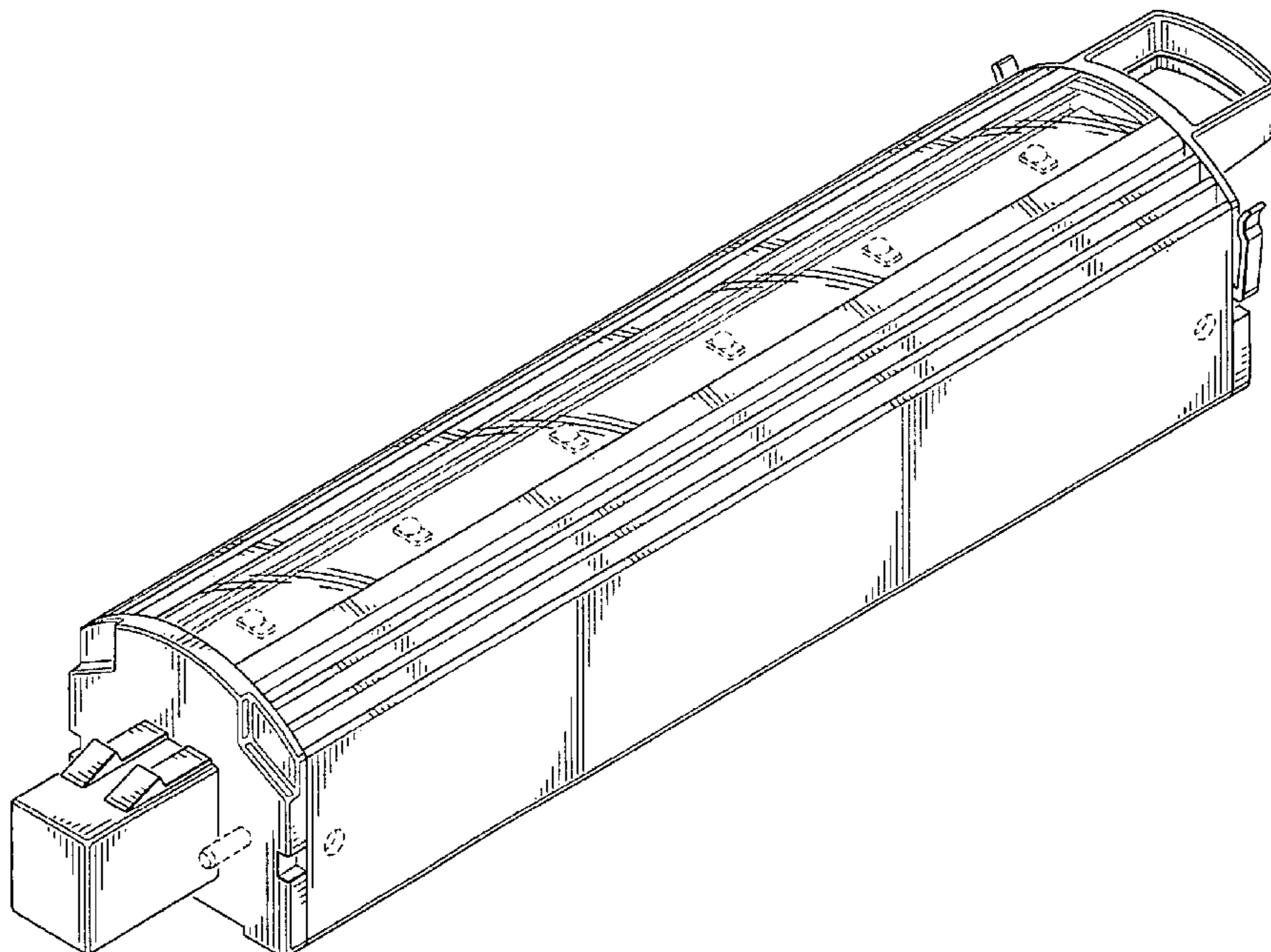
FIG. 5 is a right side elevational view thereof;

FIG. 6 is a top side elevational view thereof; and,

FIG. 7 is a bottom side elevational view thereof.

The broken line showing of the illuminated area is included for the purpose of illustrating the illuminated and forms no part of the claimed design.

1 Claim, 4 Drawing Sheets



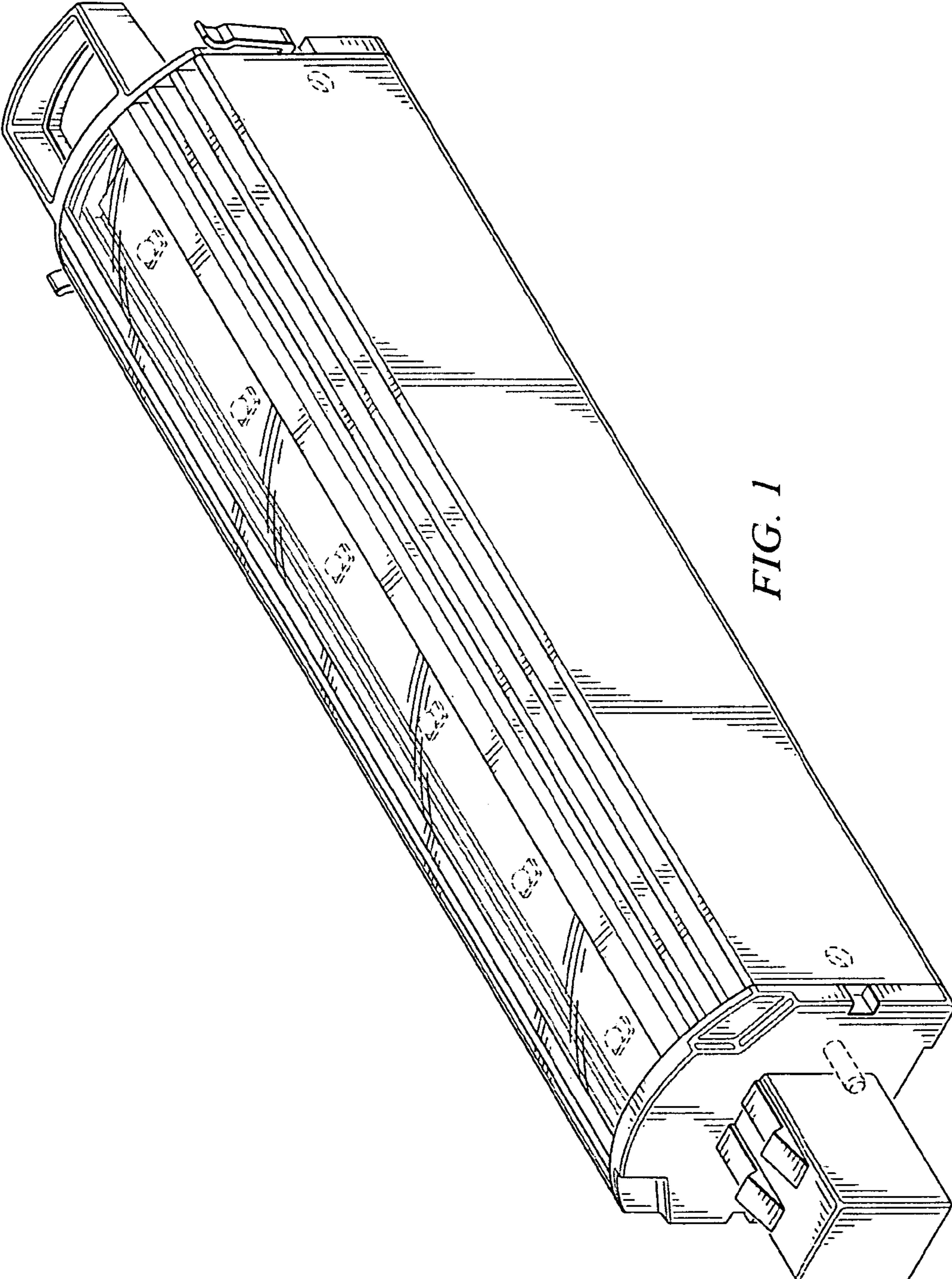


FIG. 1

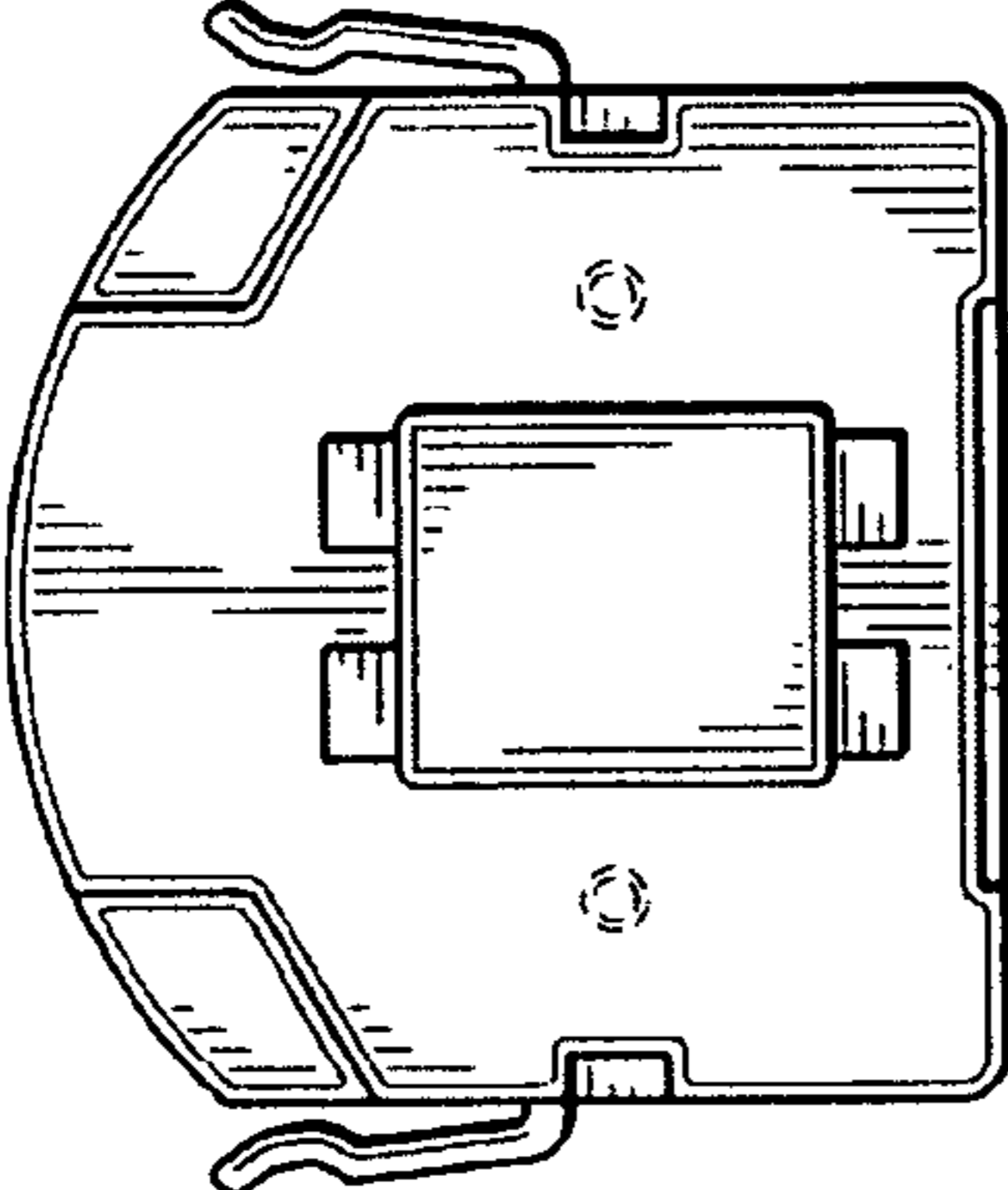


FIG. 2

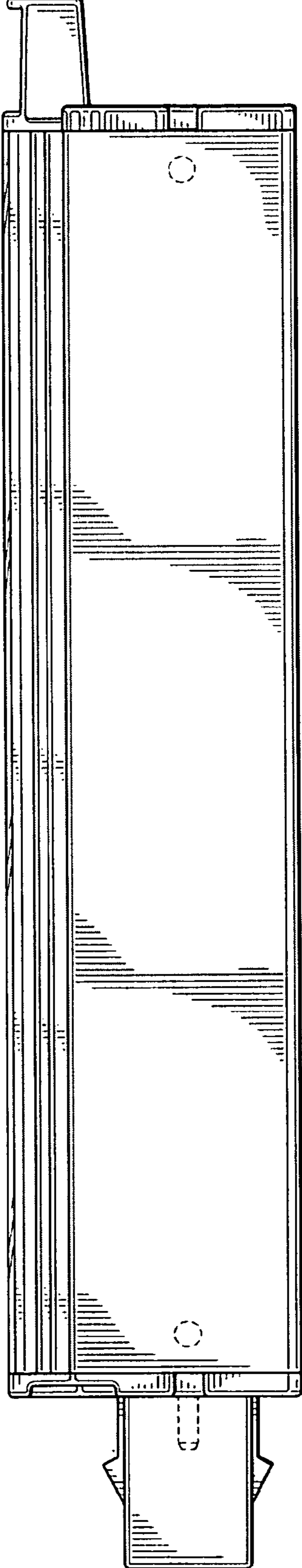


FIG. 3

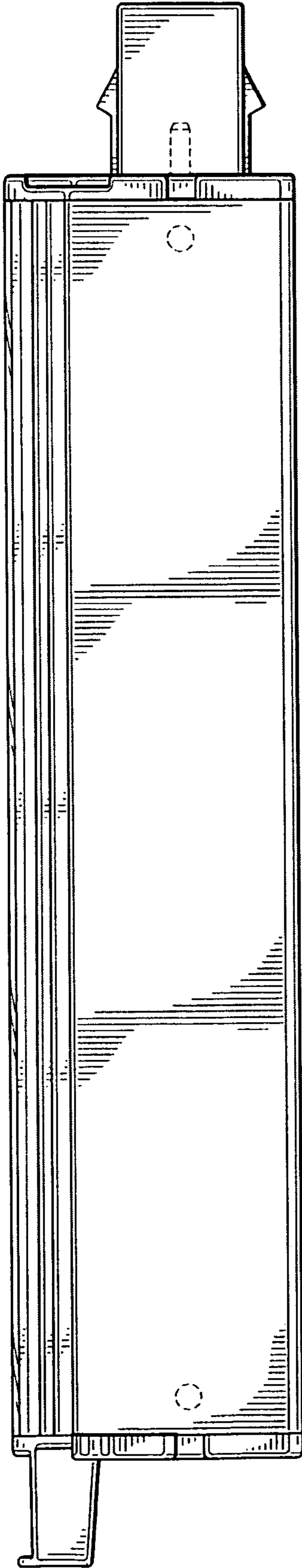


FIG. 4

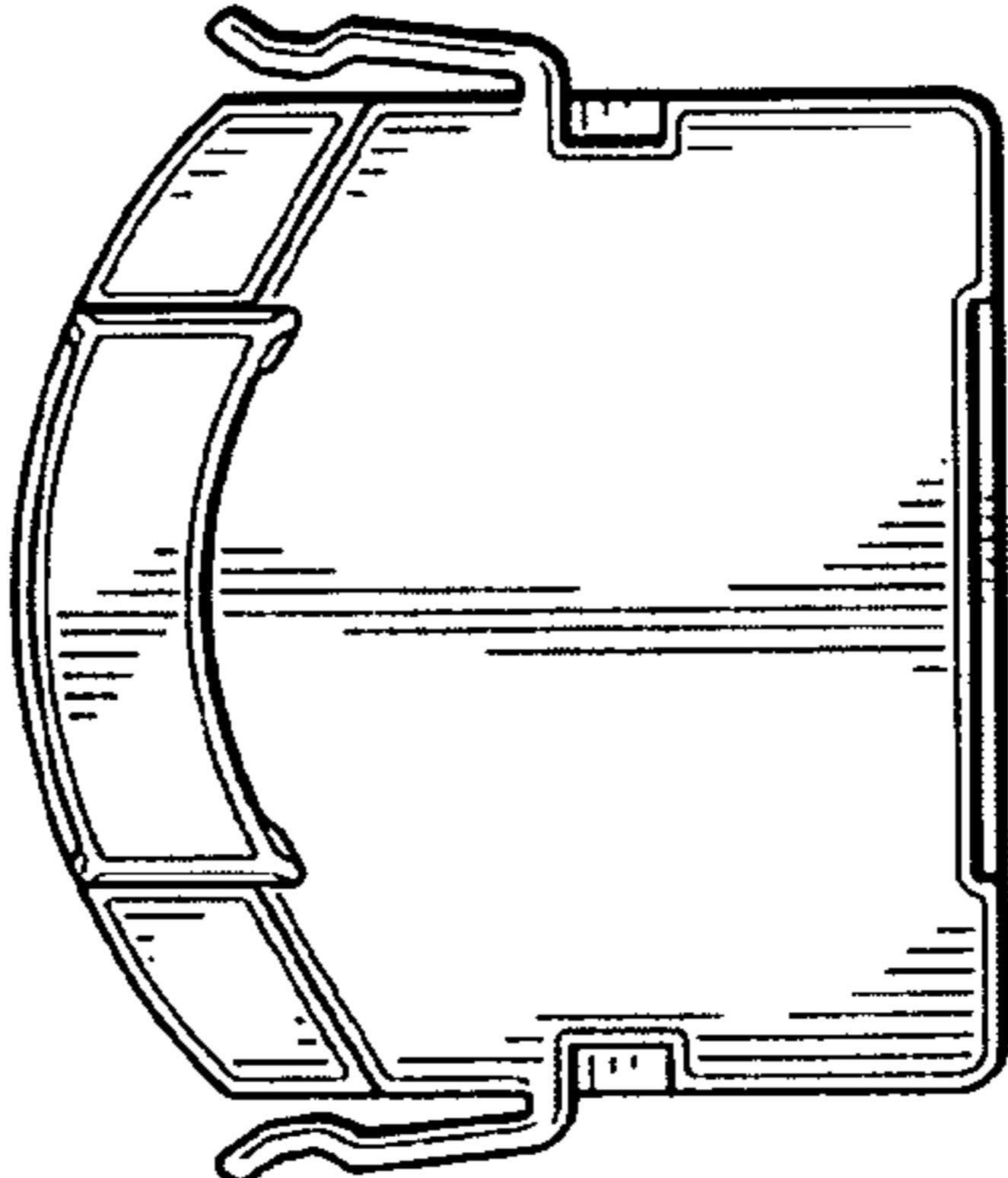


FIG. 5

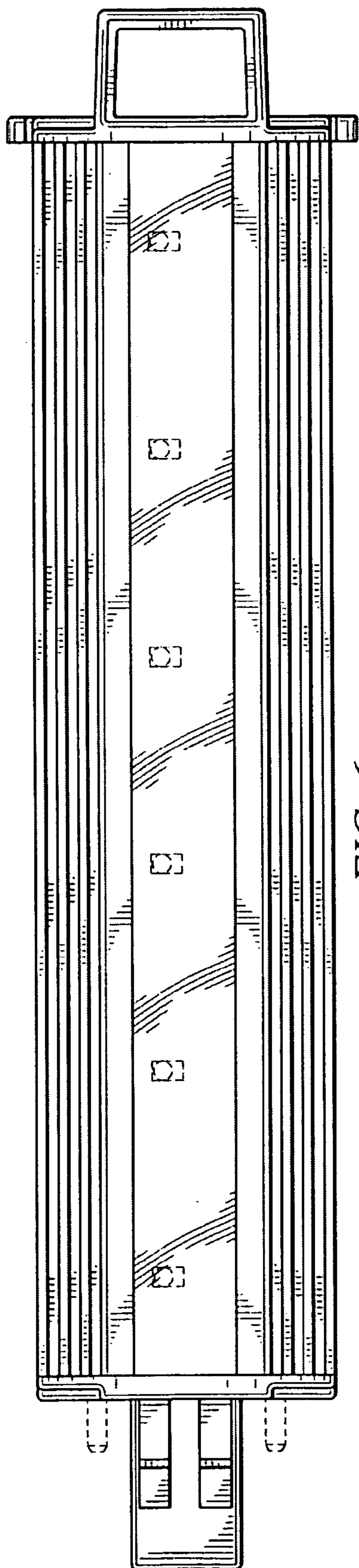


FIG. 6

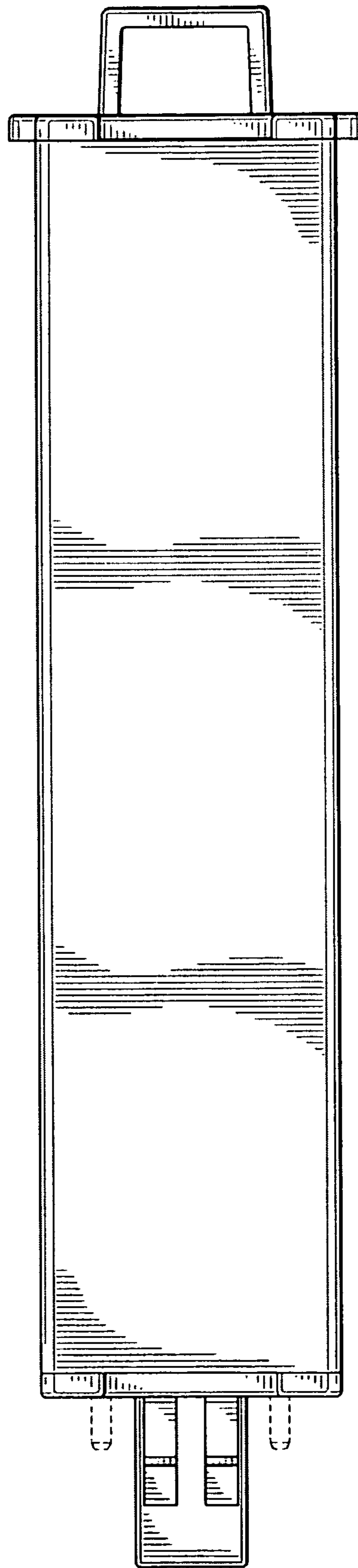


FIG. 7