



US00D614322S

(12) **United States Design Patent**  
**Yang**

(10) **Patent No.:** **US D614,322 S**

(45) **Date of Patent:** **\*\* Apr. 20, 2010**

(54) **LED BULB**

D601,275 S \* 9/2009 Ho et al. .... D26/2

(75) Inventor: **Wen-Ho Yang**, Taipei County (TW)

\* cited by examiner

(73) Assignee: **Goldweal Far East, Ltd.**, Dongguan, Guangdong Province (CN)

*Primary Examiner*—Marcus A Jackson  
(74) *Attorney, Agent, or Firm*—Bacon & Thomas, PLLC

(\*\*) Term: **14 Years**

(57) **CLAIM**

(21) Appl. No.: **29/347,286**

The ornamental design for a LED bulb, as shown and described.

(22) Filed: **Nov. 20, 2009**

**DESCRIPTION**

(51) **LOC (9) Cl.** ..... **26-04**

(52) **U.S. Cl.** ..... **D26/2**

(58) **Field of Classification Search** ..... D26/1-4;  
313/313, 315, 316, 317, 318, 493; 315/52,  
315/53, 56, 57, 58

See application file for complete search history.

FIG. 1 is a perspective view of a LED bulb showing my new design;

FIG. 2 is a front elevational view thereof;

FIG. 3 is a rear elevational view thereof;

FIG. 4 is a left side elevational view thereof;

FIG. 5 is a right side elevational view thereof;

FIG. 6 is a top plan view thereof;

FIG. 7 is a bottom plan view thereof; and,

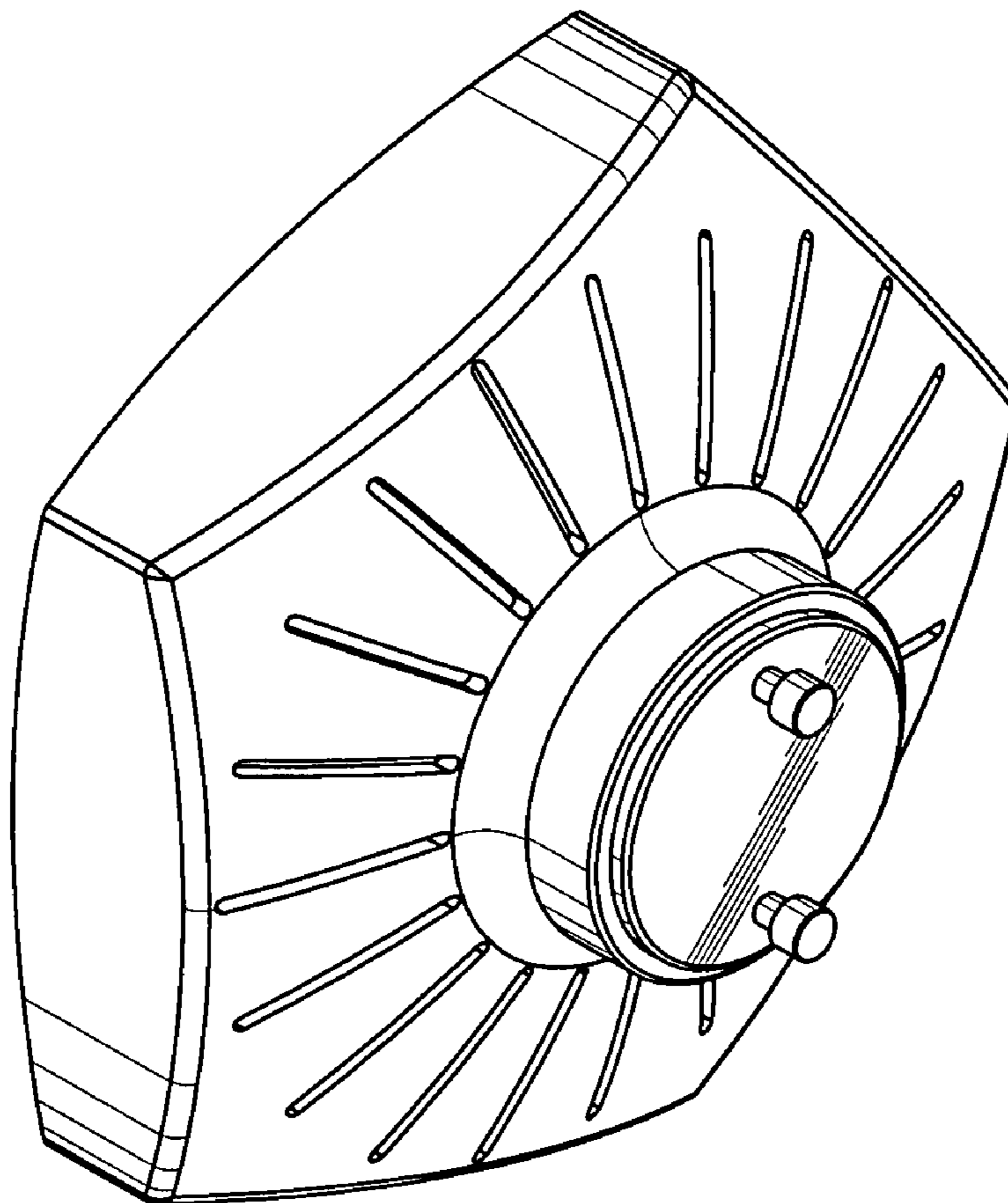
FIG. 8 is a rear perspective view thereof.

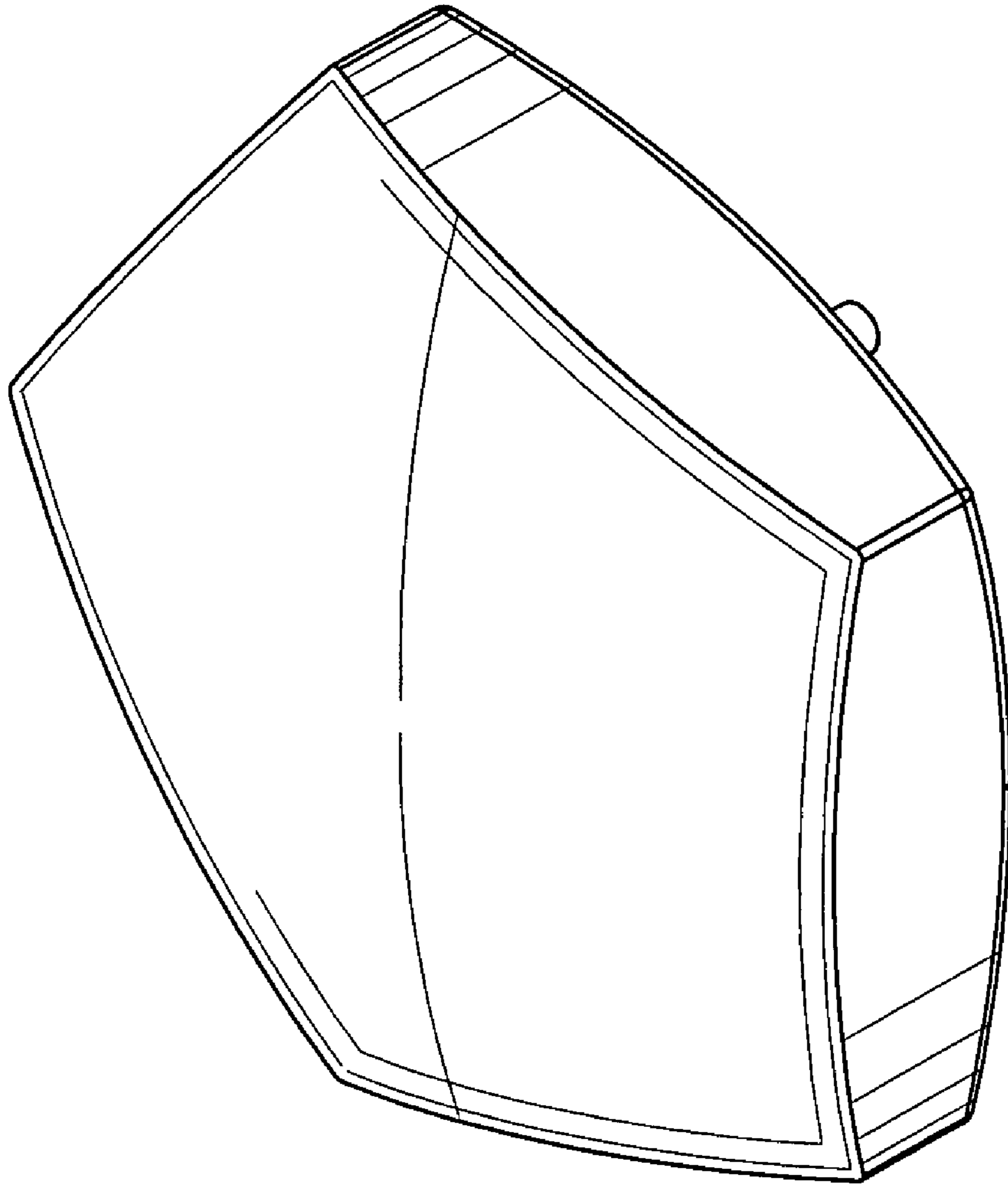
(56) **References Cited**

**U.S. PATENT DOCUMENTS**

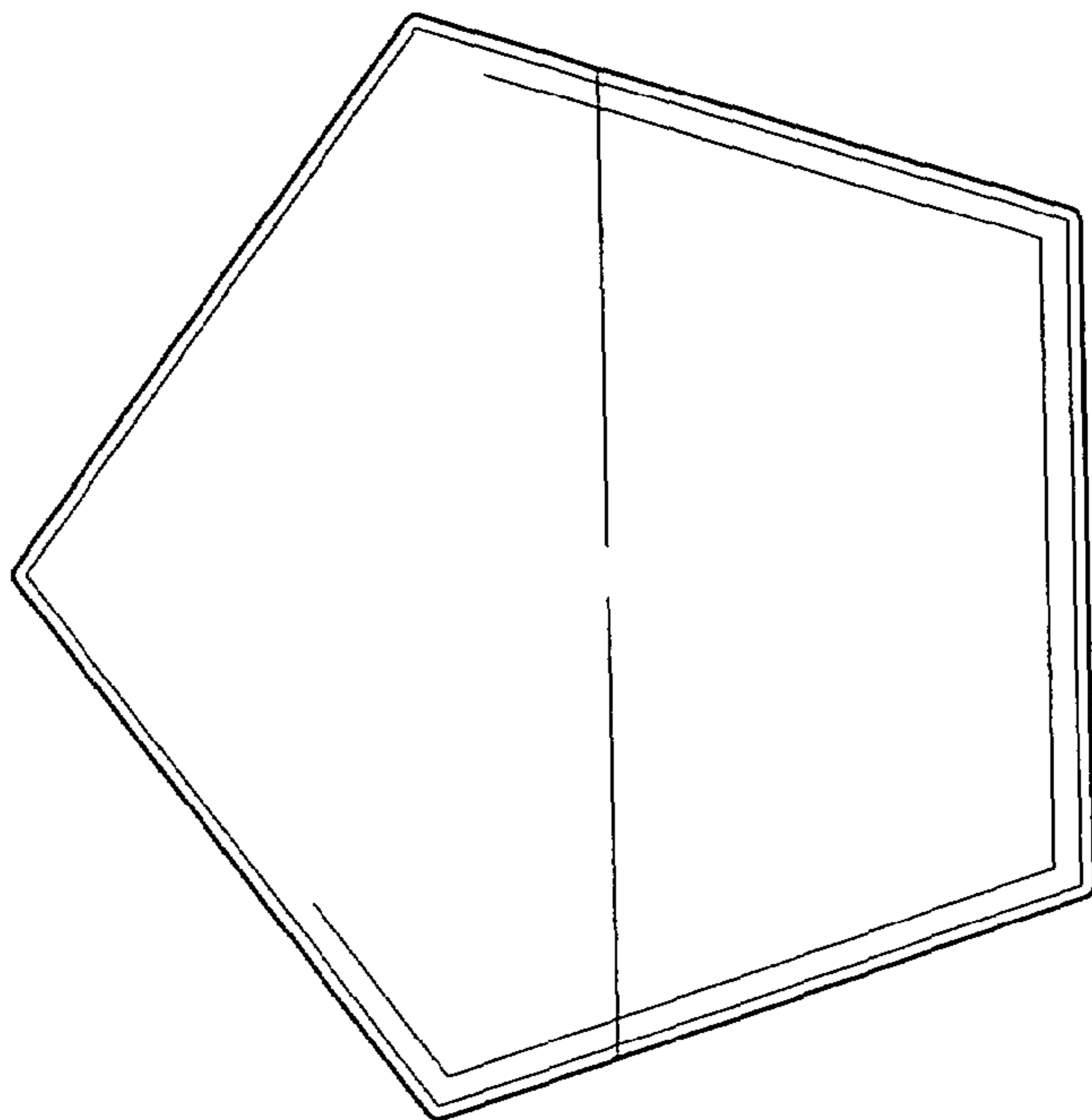
- D551,784 S \* 9/2007 Krieglmeier et al. .... D26/2
- D572,385 S \* 7/2008 Mazzoquette et al. .... D26/2
- D581,554 S \* 11/2008 To et al. .... D26/2
- D593,222 S \* 5/2009 To et al. .... D26/2

**1 Claim, 5 Drawing Sheets**

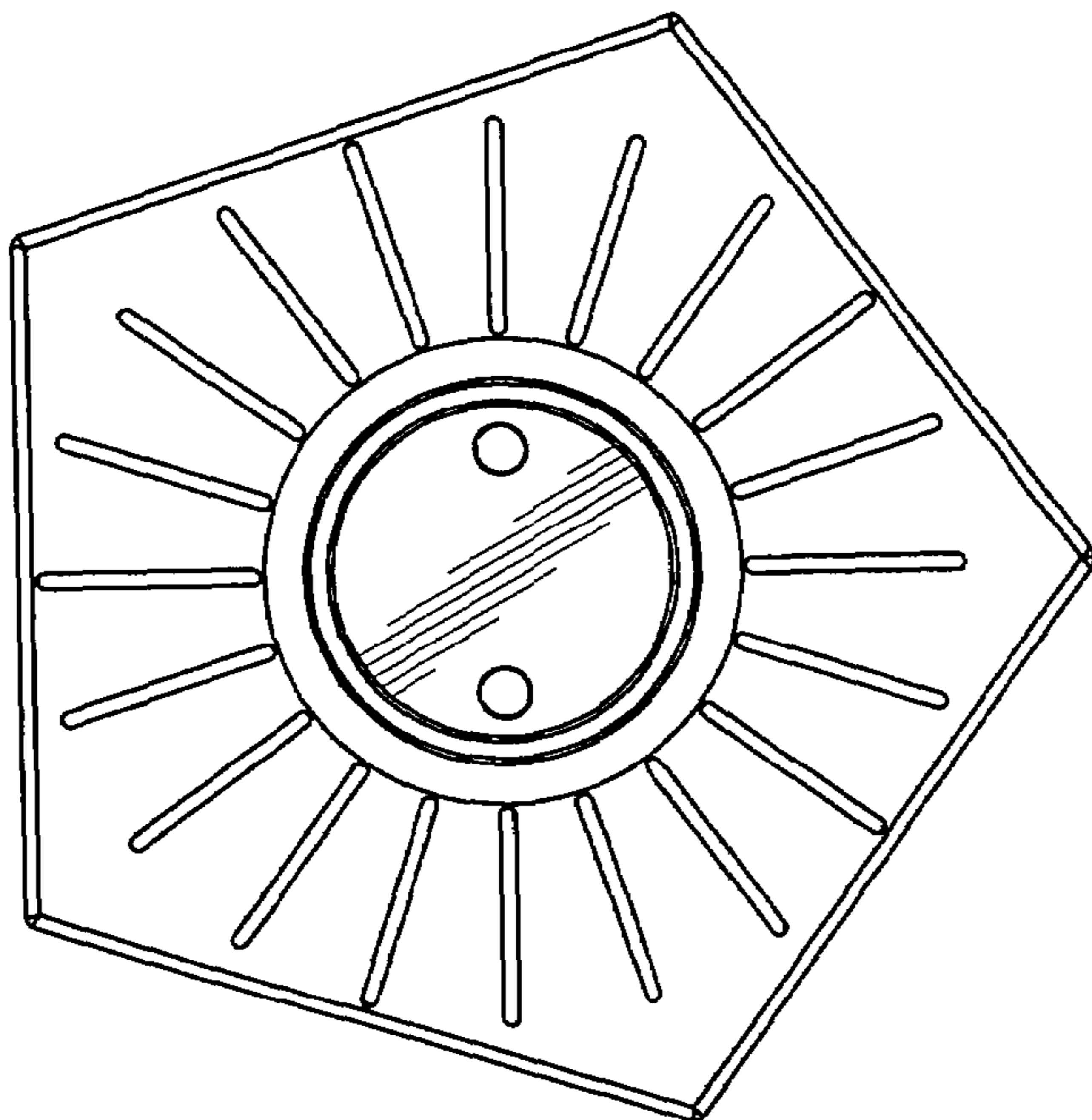




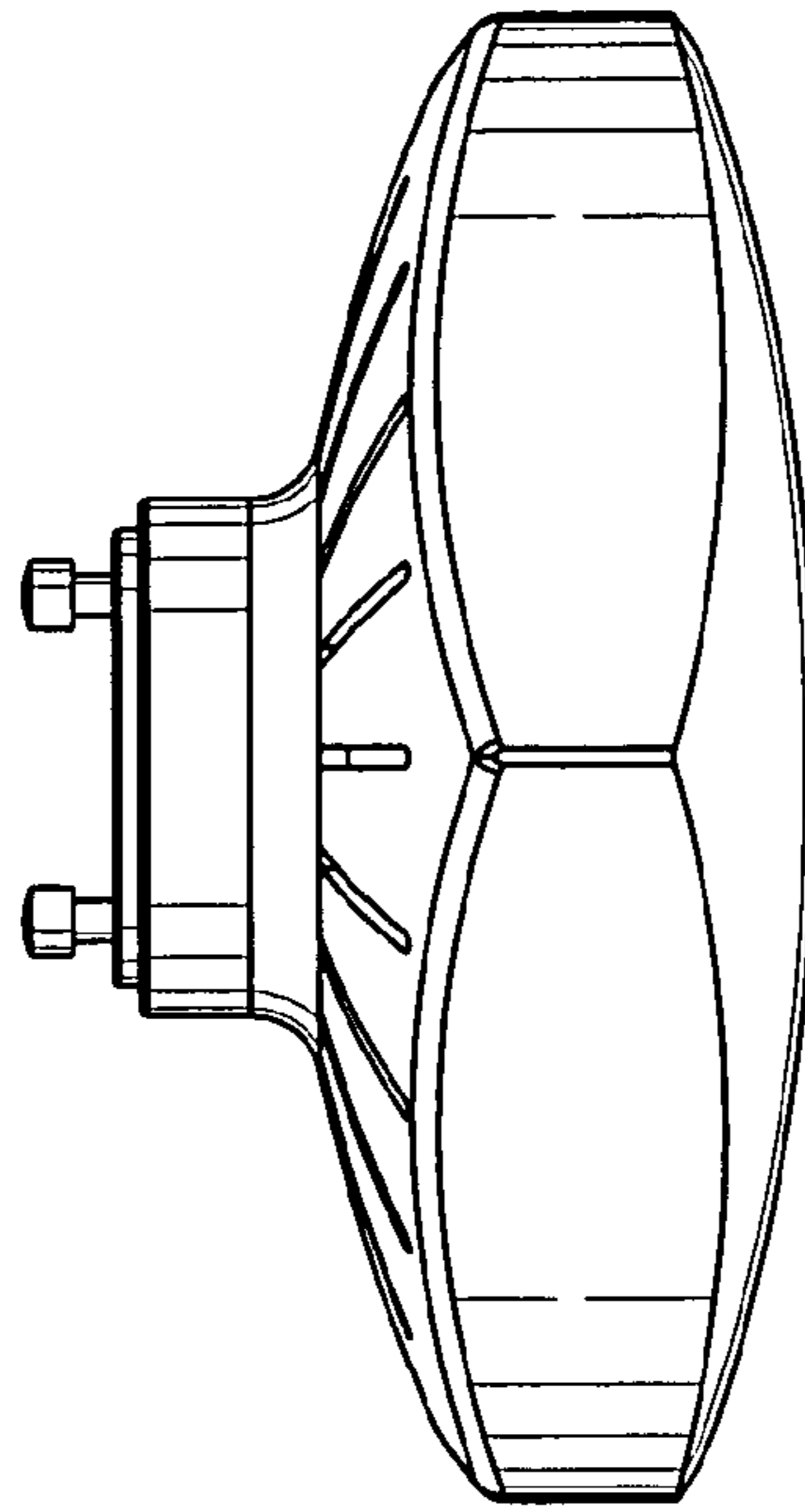
*FIG. 1*



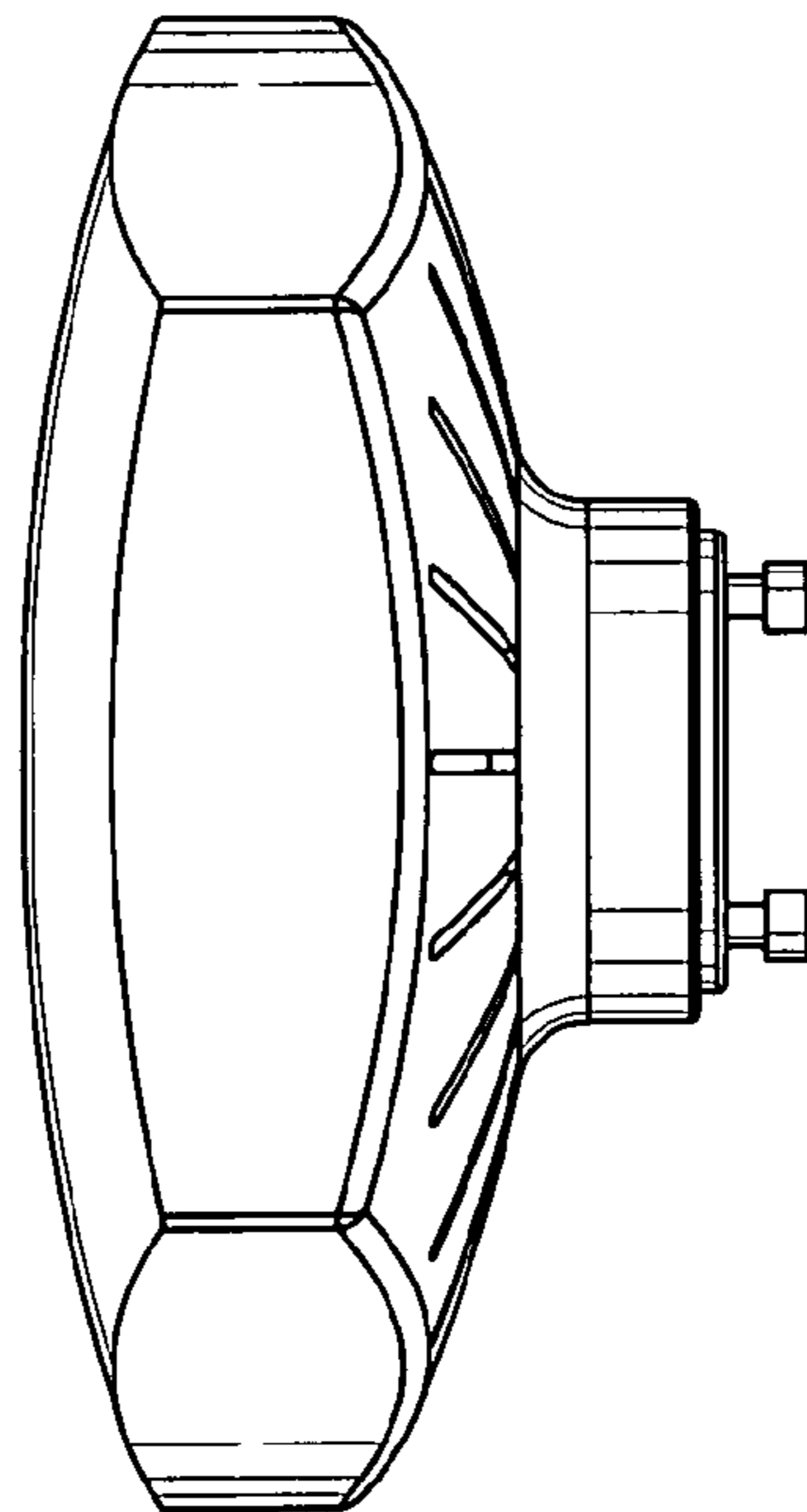
*FIG. 2*



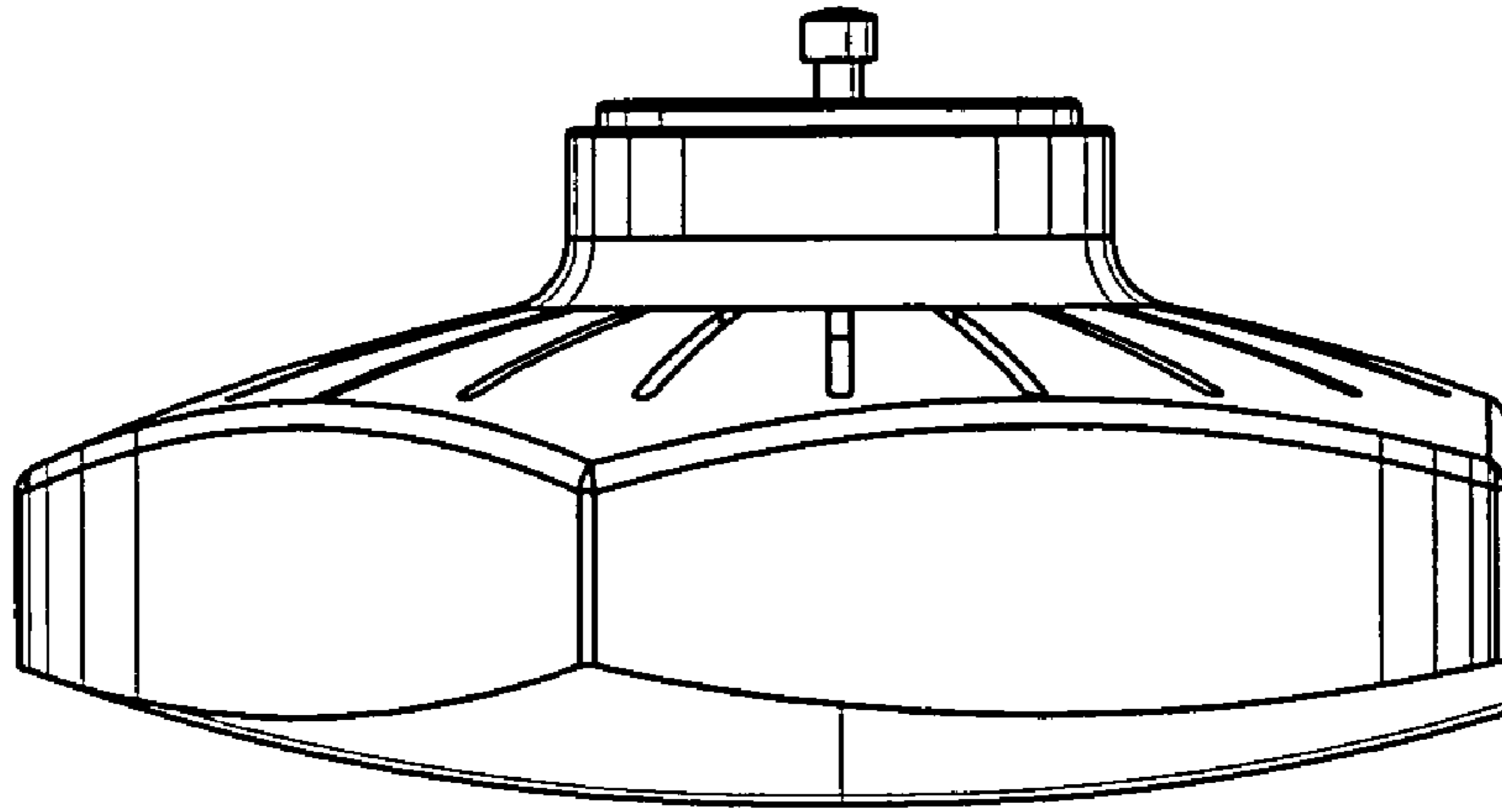
*FIG. 3*



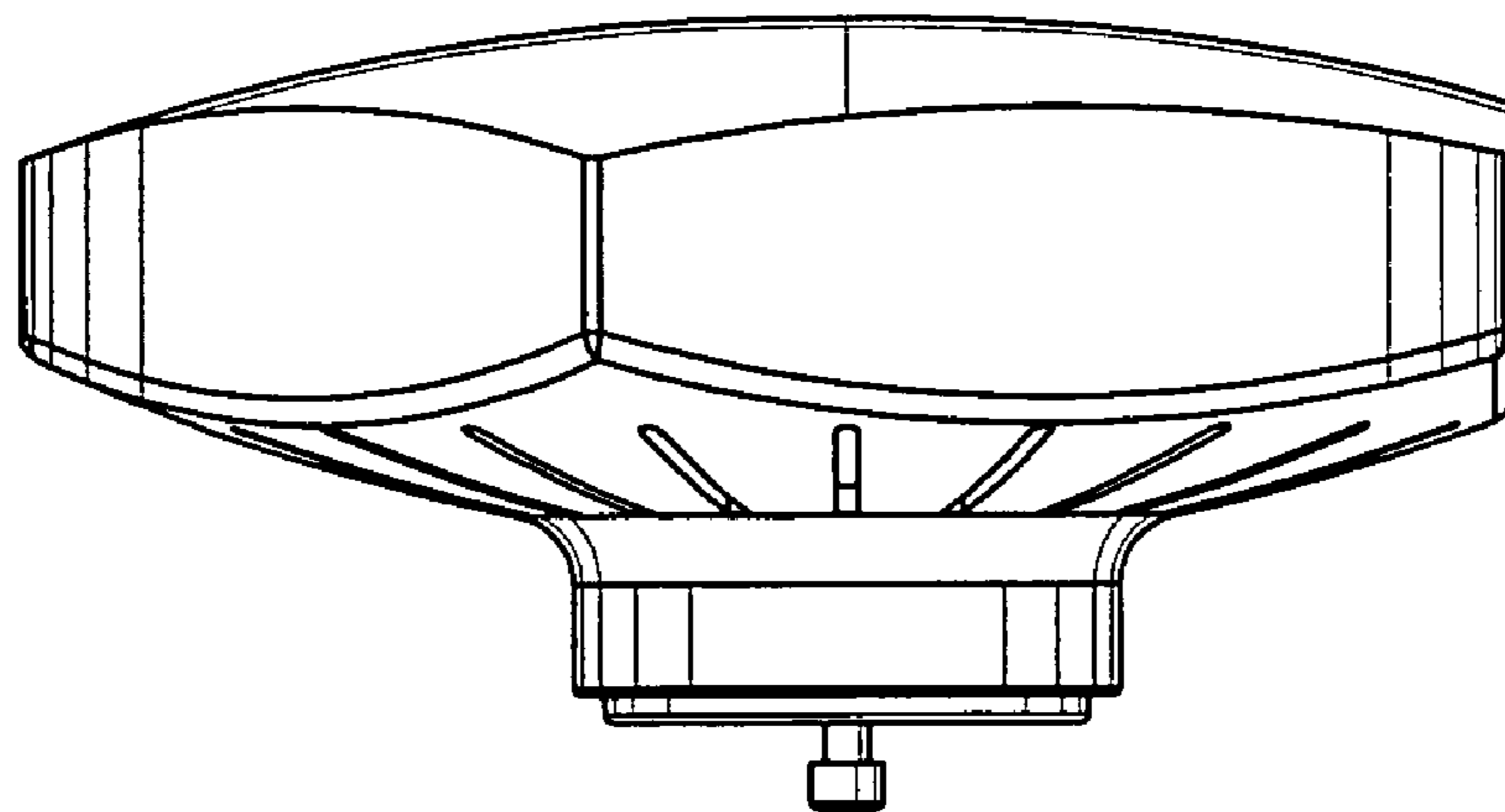
*FIG. 4*



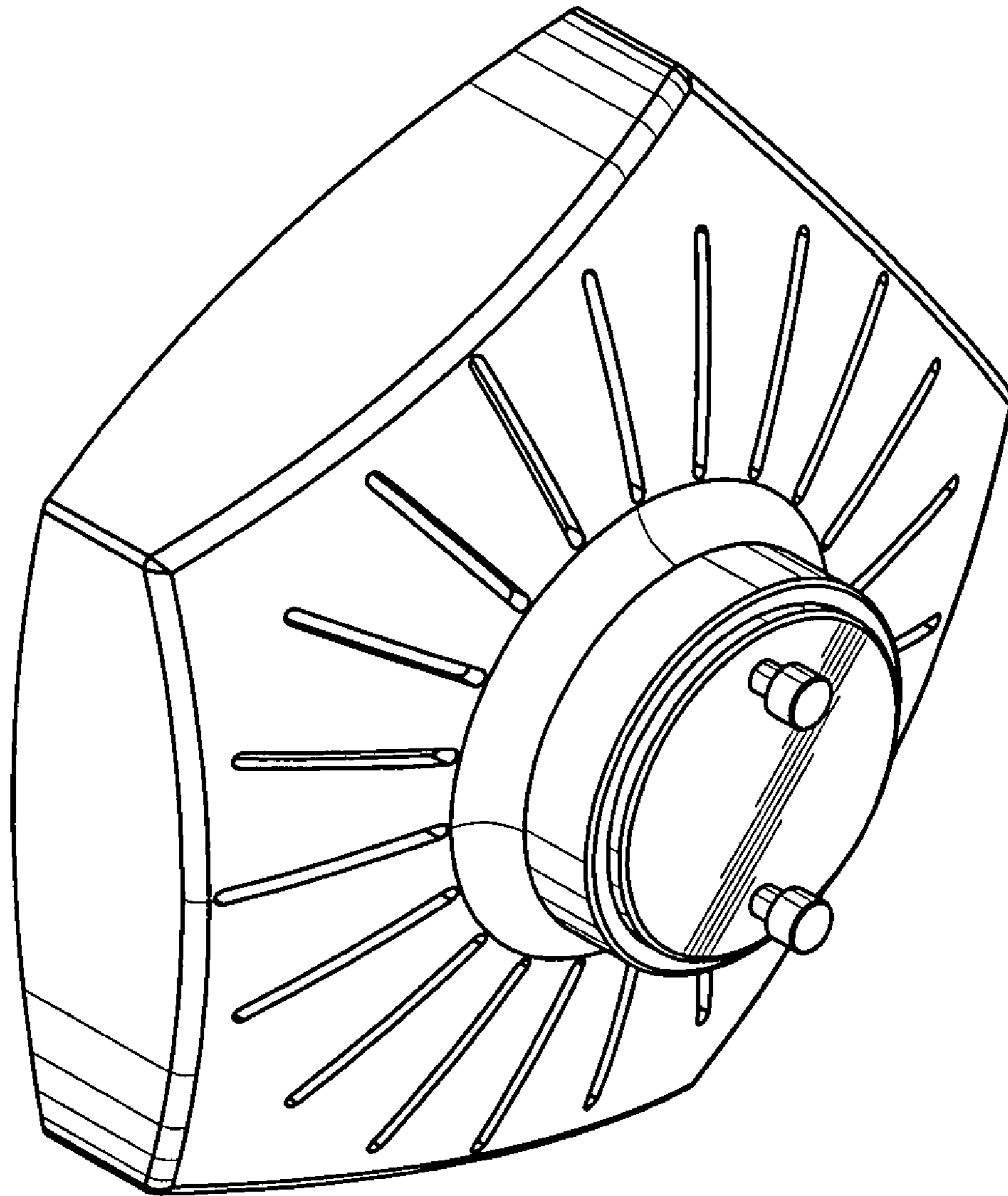
*FIG. 5*



*FIG. 6*



*FIG. 7*



*FIG. 8*