



US00D614319S

(12) **United States Design Patent**
Murakami

(10) **Patent No.:** **US D614,319 S**
(45) **Date of Patent:** **** Apr. 20, 2010**

(54) **LIGHT EMITTING DIODE LAMP**
(75) Inventor: **Yutaka Murakami**, Osaka (JP)
(73) Assignee: **Panasonic Corporation**, Osaka (JP)
(**) Term: **14 Years**

Primary Examiner—Marcus A Jackson
(74) *Attorney, Agent, or Firm*—Brinks Hofer Gilson & Lione

(21) Appl. No.: **29/344,331**
(22) Filed: **Sep. 28, 2009**

(57) **CLAIM**

I claim the ornamental design for a light emitting diode lamp, as shown and described.

(30) **Foreign Application Priority Data**
Aug. 24, 2009 (JP) 2009-019253
Aug. 24, 2009 (JP) 2009-019254
Aug. 24, 2009 (JP) 2009-019255
(51) **LOC (9) Cl.** **26-04**
(52) **U.S. Cl.** **D26/2**
(58) **Field of Classification Search** D26/1-4;
313/313, 315, 316, 317, 318, 493; 315/52,
315/53, 56, 57, 58
See application file for complete search history.

DESCRIPTION

FIG. 1 is a top perspective view of a first embodiment of a light emitting diode lamp of the present invention;
FIG. 2 is a front view thereof;
FIG. 3 is a rear view thereof;
FIG. 4 is a first side view thereof;
FIG. 5 is a second side view thereof;
FIG. 6 is a top view thereof;
FIG. 7 is a bottom view thereof;
FIG. 8 is a top perspective view of a second embodiment of a light emitting diode lamp of the present invention;
FIG. 9 is a front view thereof;
FIG. 10 is a rear view thereof;
FIG. 11 is a first side view thereof;
FIG. 12 is a second side view thereof;
FIG. 13 is a top view thereof;
FIG. 14 is a bottom view thereof;
FIG. 15 is a top perspective view of a third embodiment of a light emitting diode lamp of the present invention;
FIG. 16 is a front view thereof;
FIG. 17 is a rear view thereof;
FIG. 18 is a first side view thereof;
FIG. 19 is a second side view thereof;
FIG. 20 is a top view thereof; and,
FIG. 21 is a bottom view thereof.

(56) **References Cited**
U.S. PATENT DOCUMENTS
D506,840 S * 6/2005 Van de Ven et al. D26/2
D531,741 S * 11/2006 Takahashi D26/2
D538,953 S * 3/2007 Mama D26/2
D541,440 S * 4/2007 Feit D26/2
D542,426 S * 5/2007 Itaya et al. D26/2
D549,361 S * 8/2007 To et al. D26/2
D550,864 S * 9/2007 Hernandez et al. D26/2

FOREIGN PATENT DOCUMENTS
JP D1324759 3/2008
JP D1357951 5/2009
JP D1357988 5/2009
JP D1363593 6/2009

* cited by examiner

1 Claim, 21 Drawing Sheets

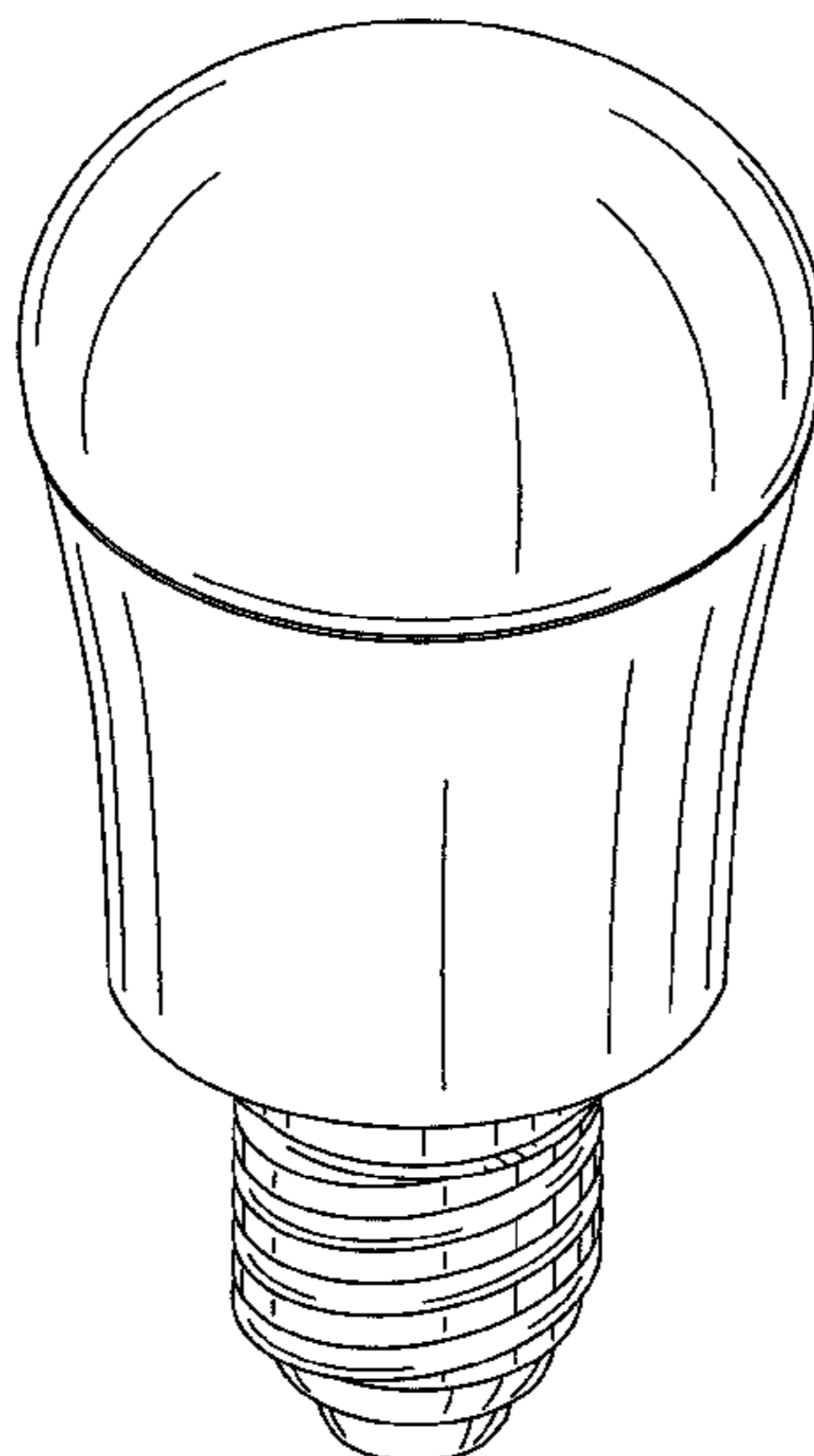


FIG.1

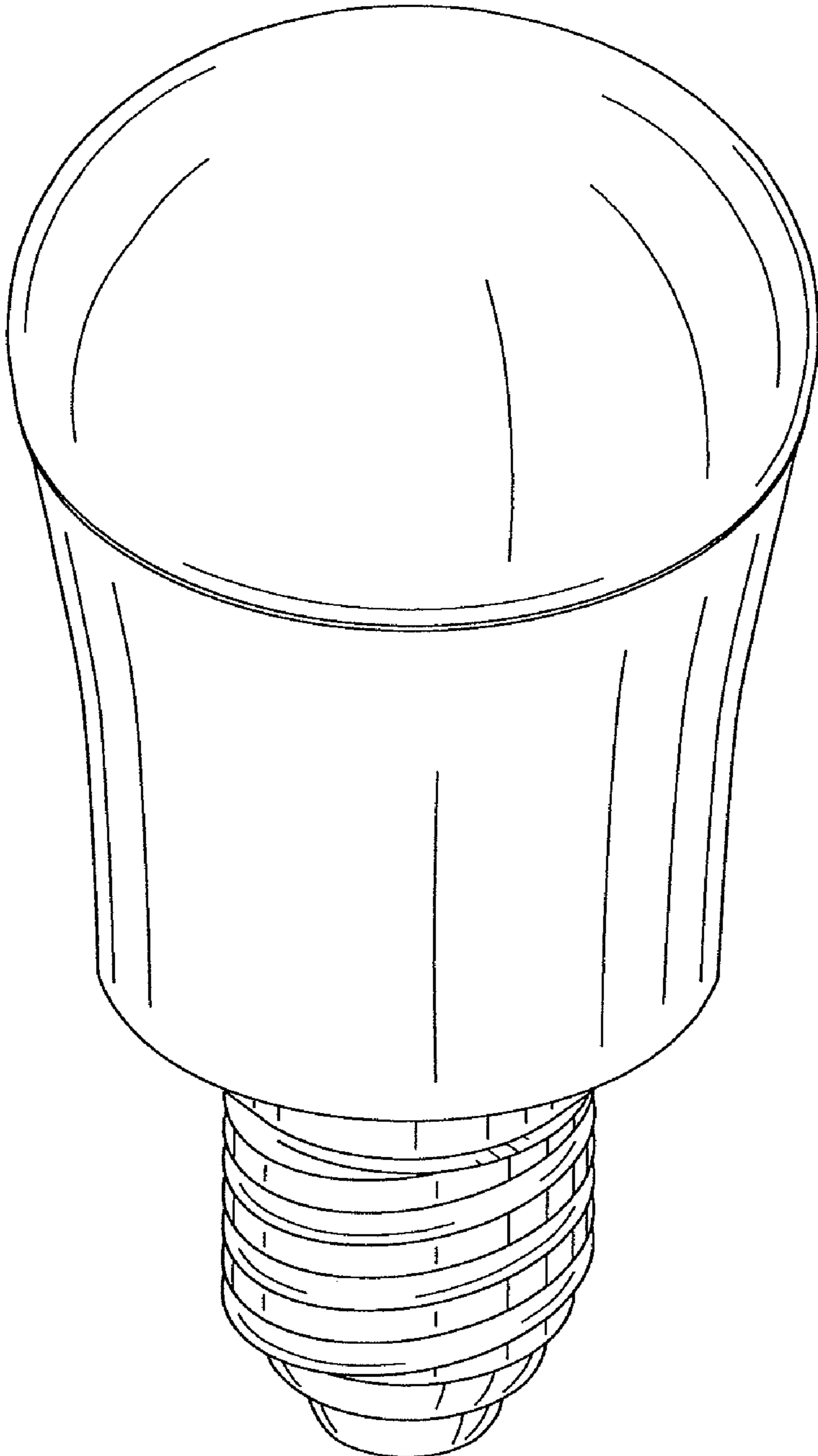


FIG.2

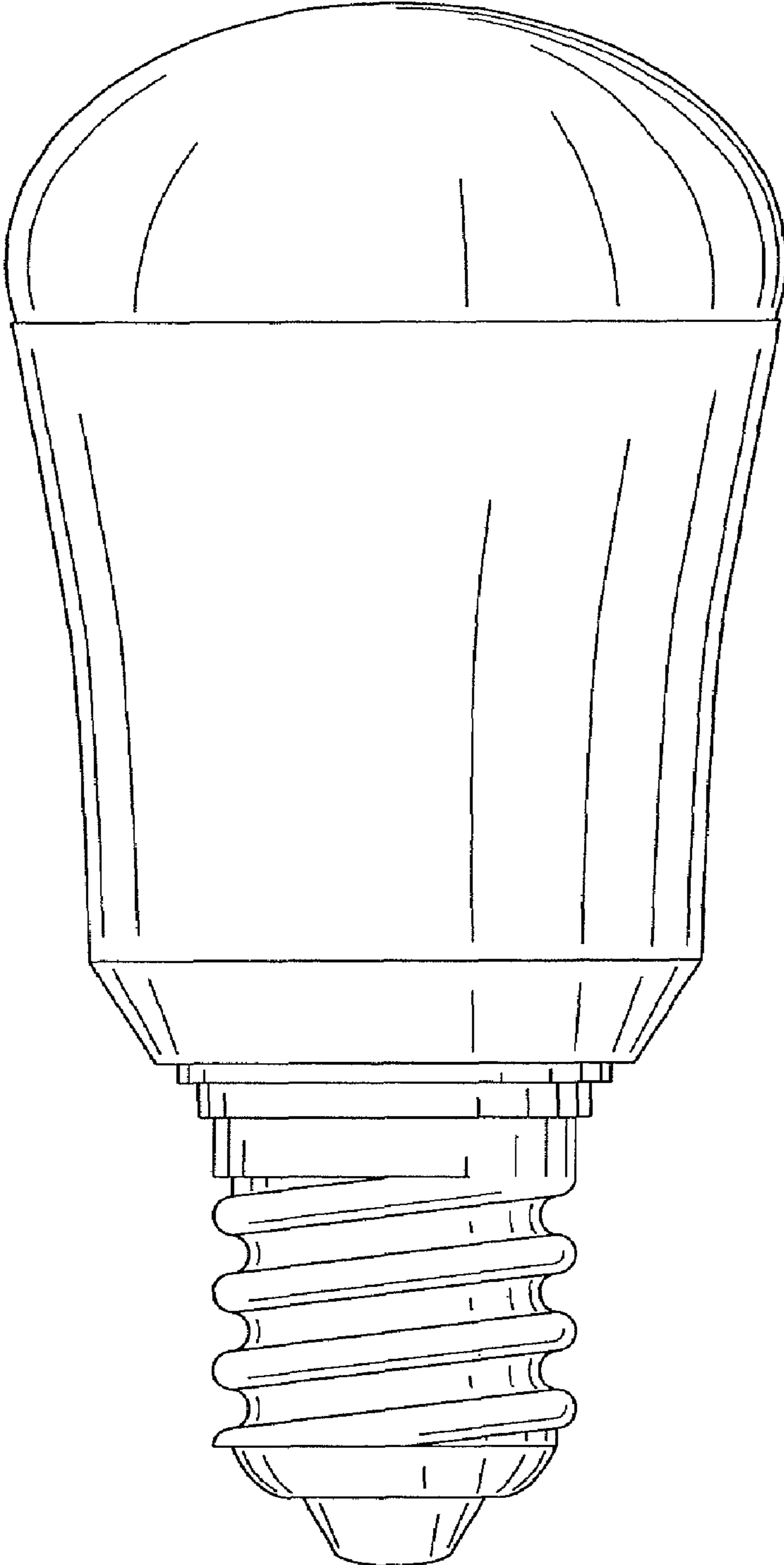


FIG.3

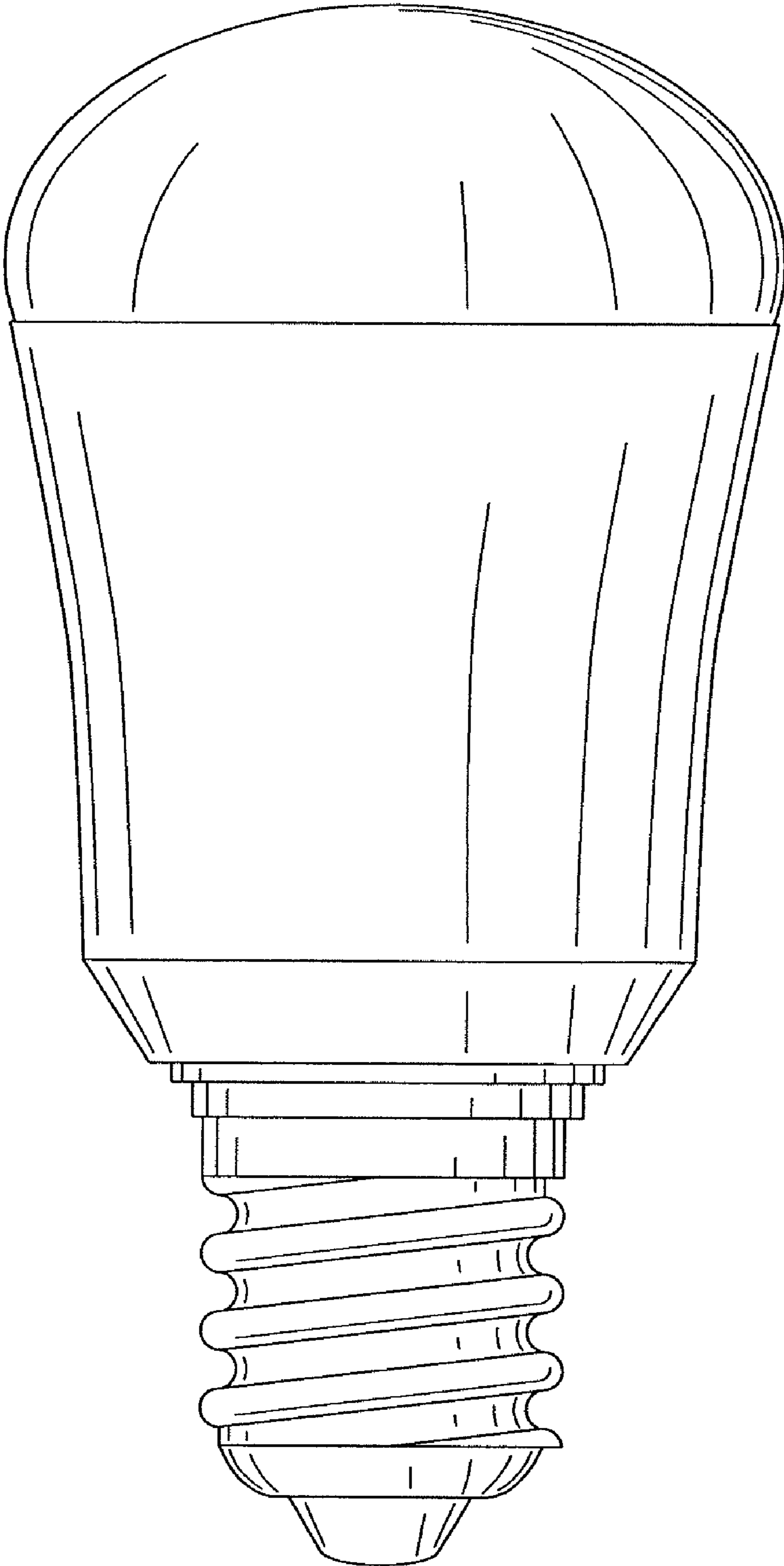


FIG.4

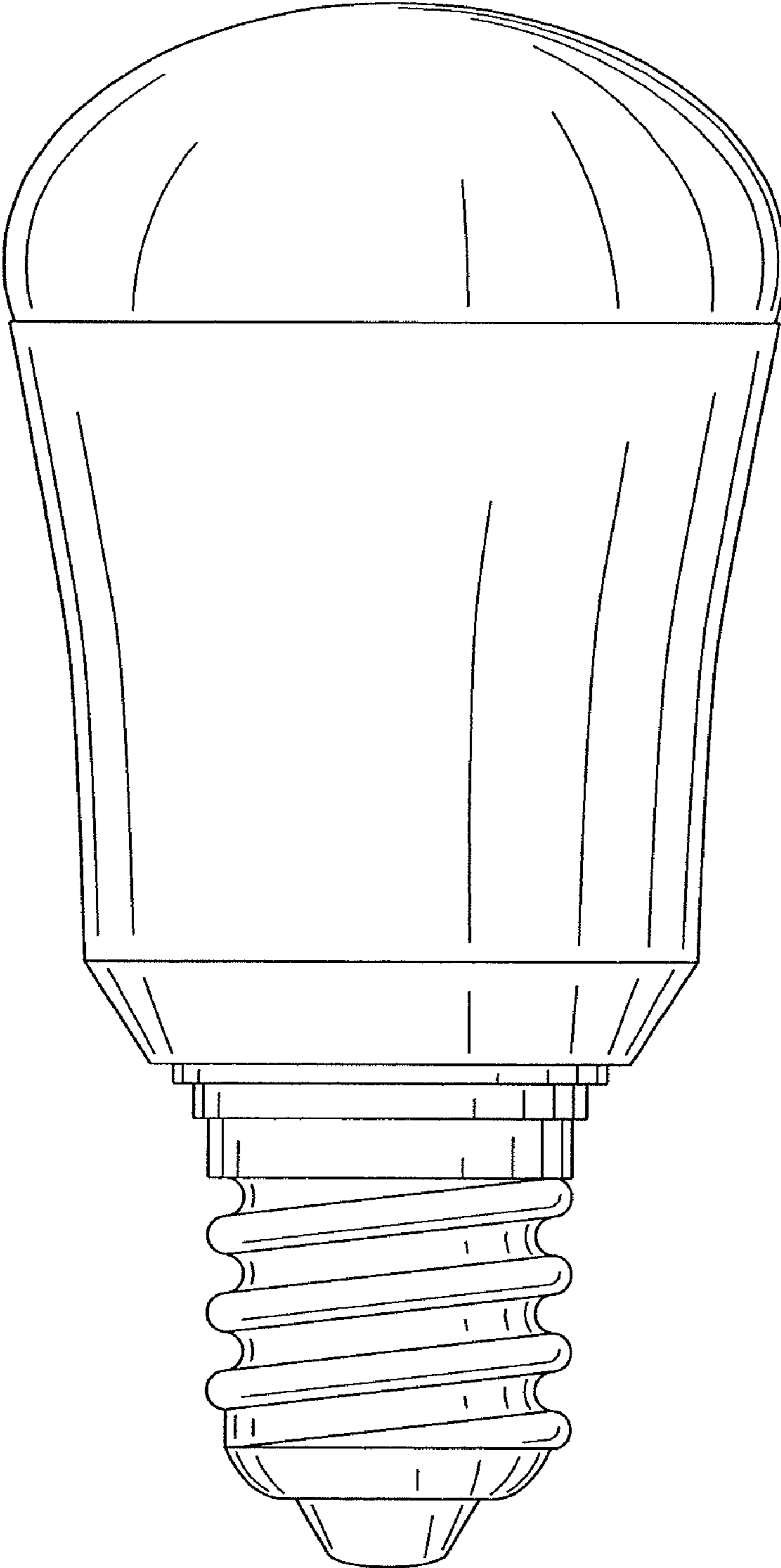


FIG.5

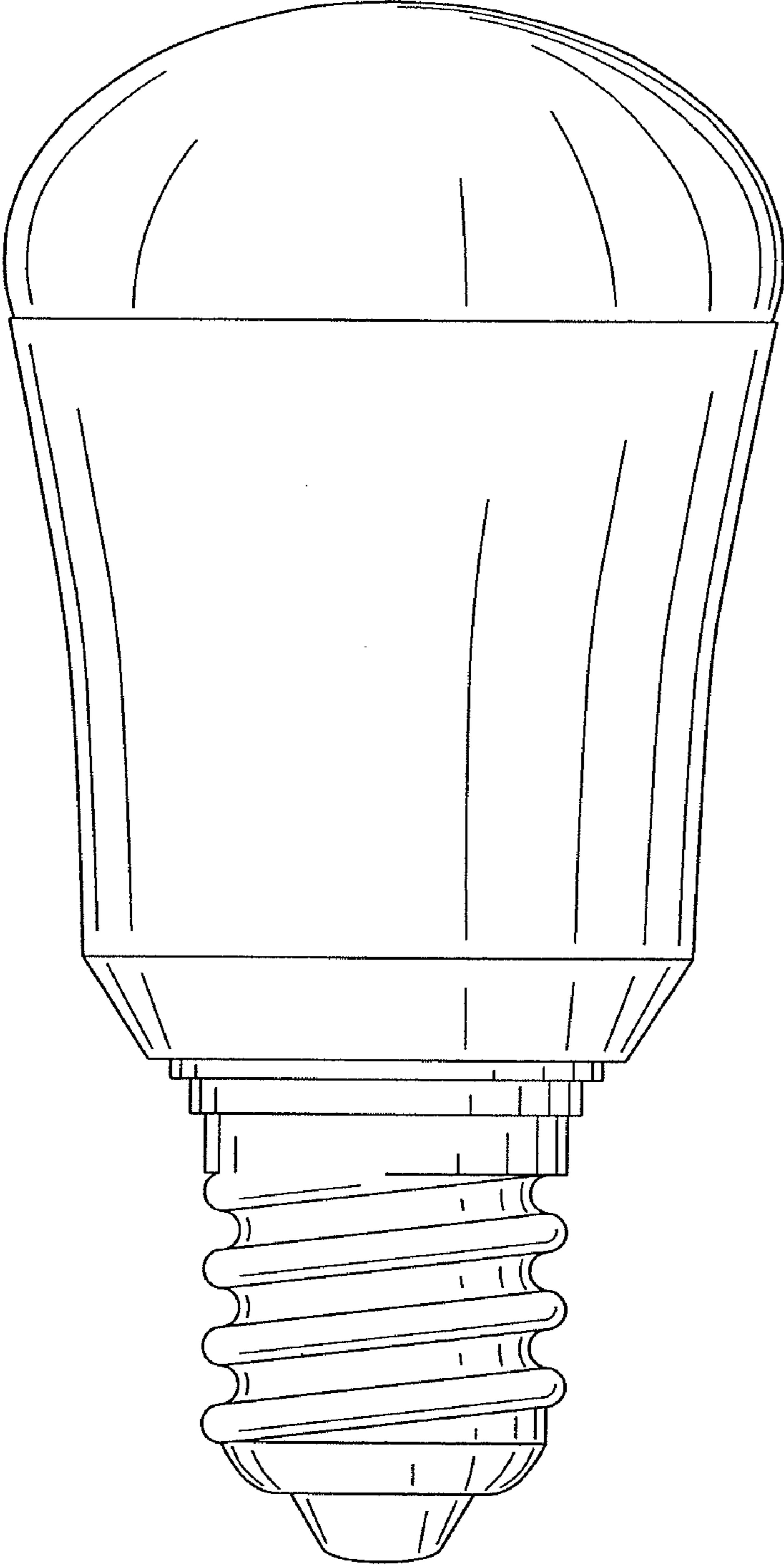


FIG.6

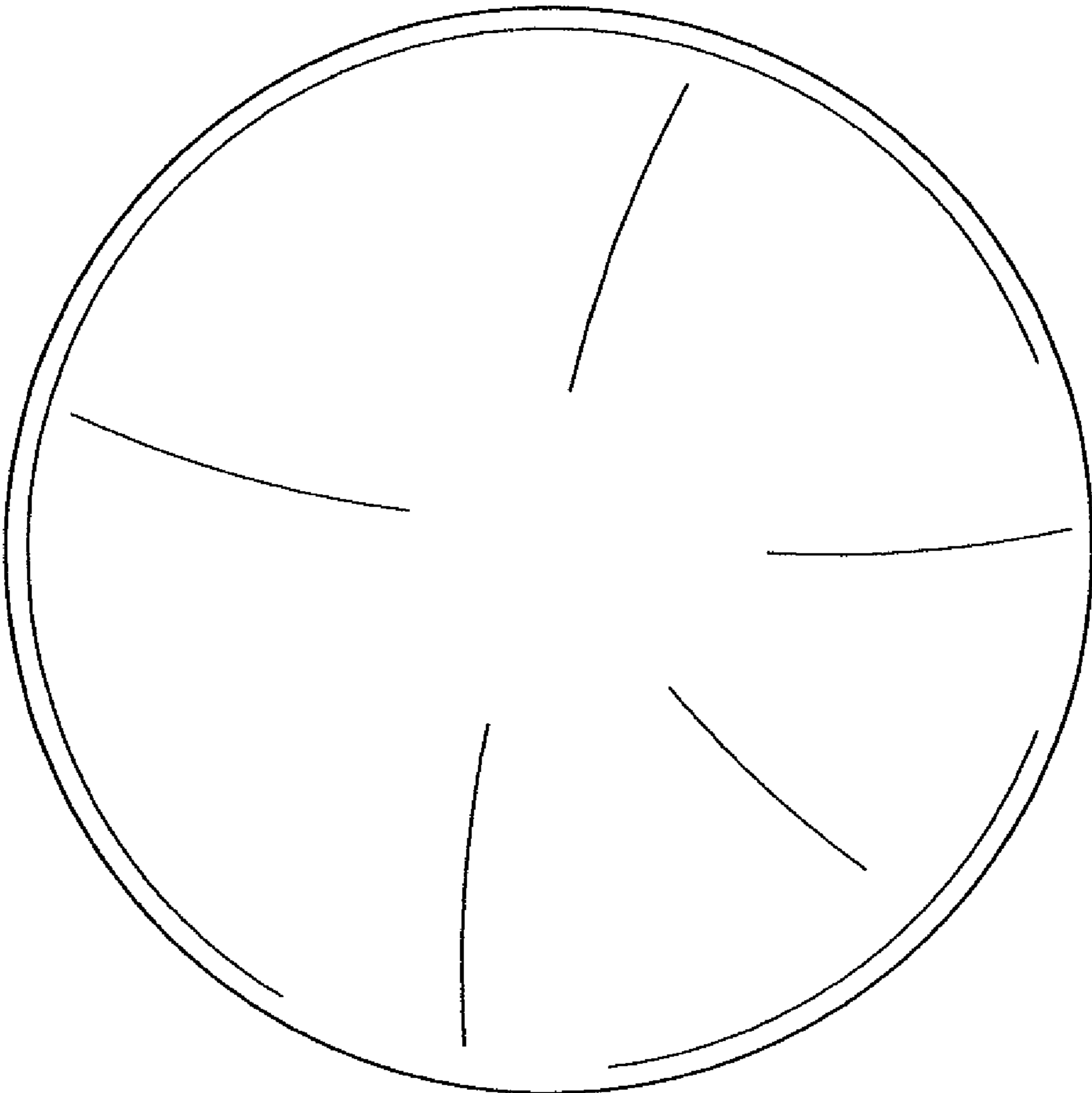


FIG. 7

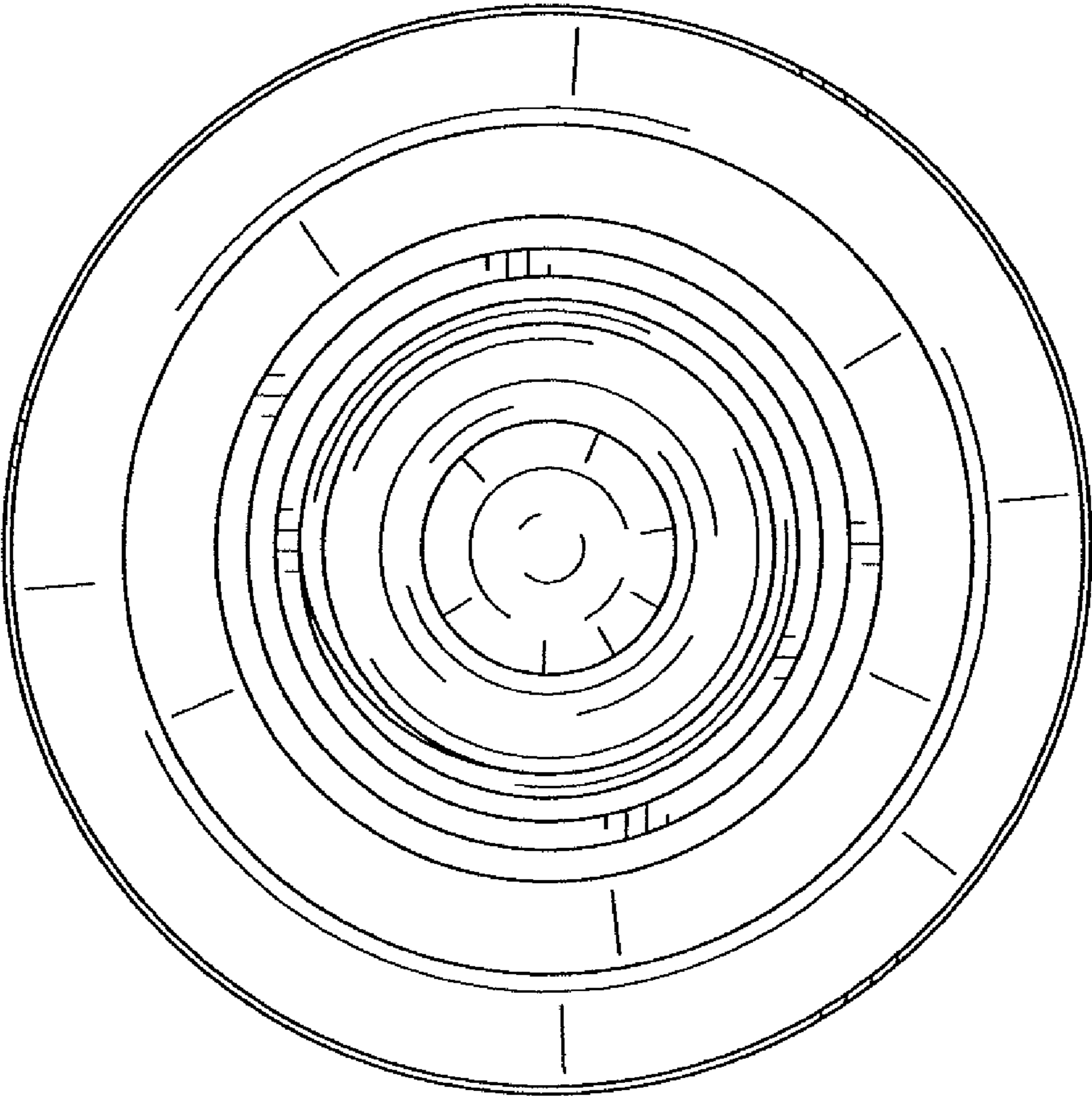


FIG.8

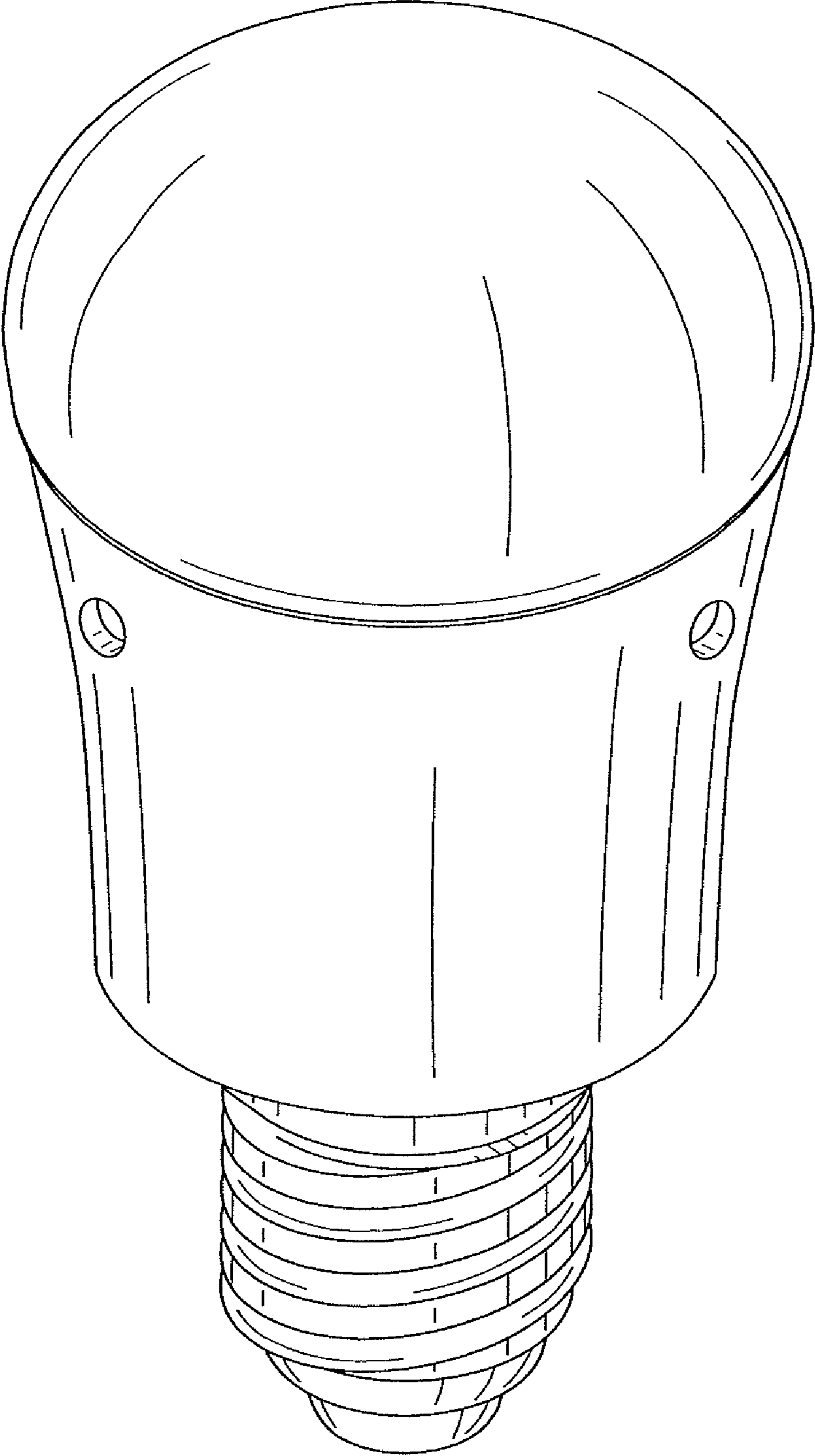


FIG.9

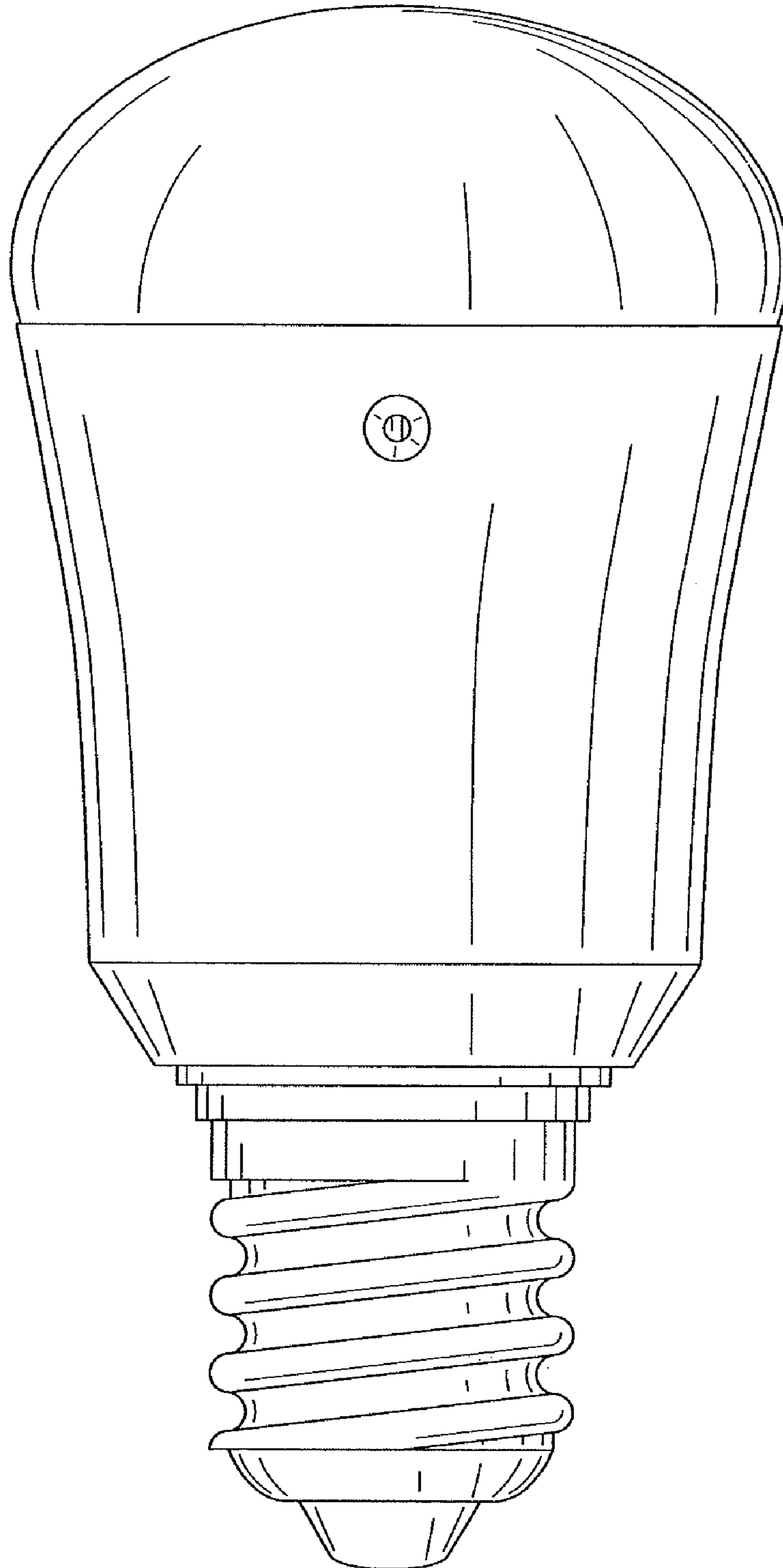


FIG. 10

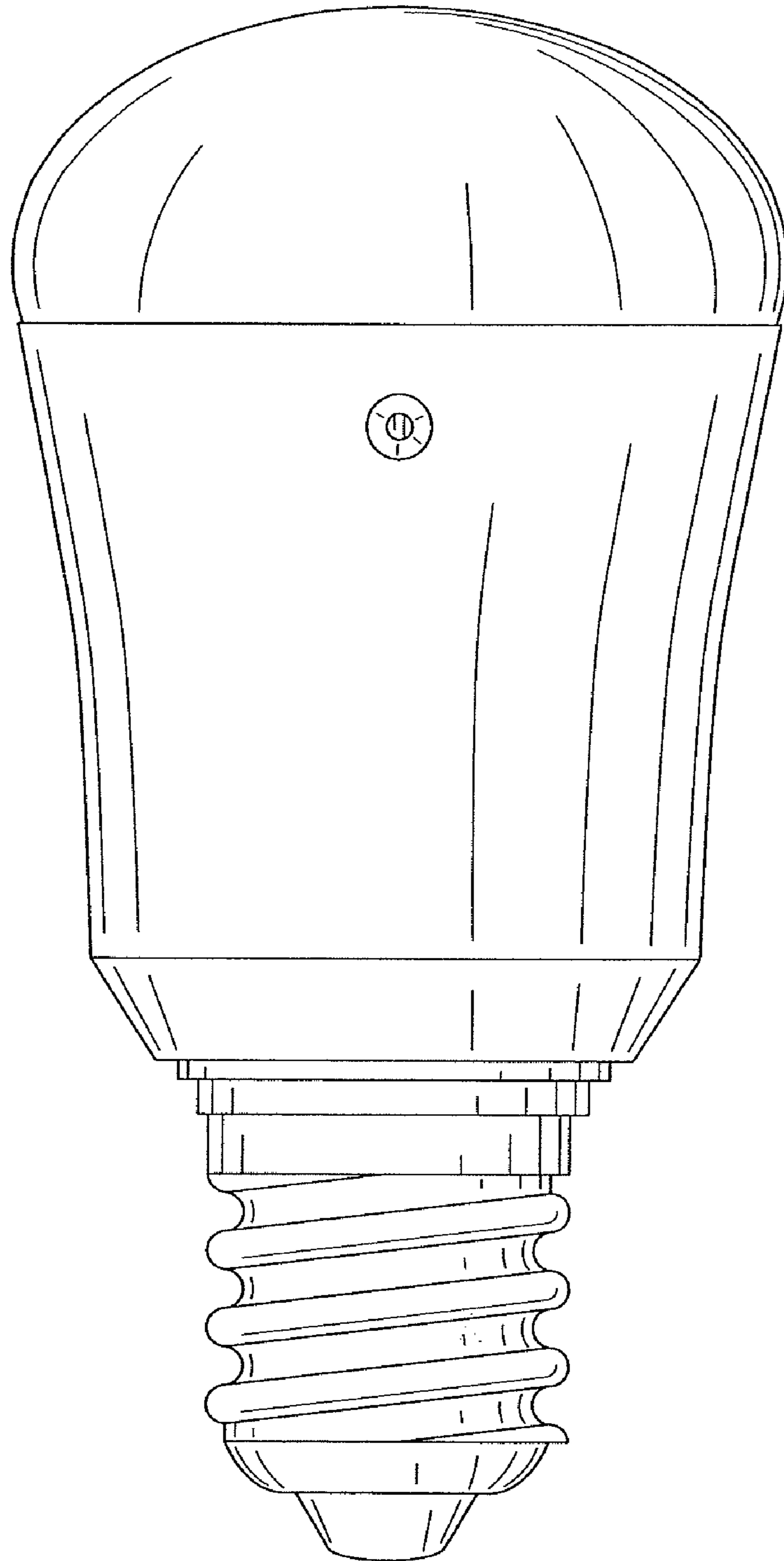


FIG.11

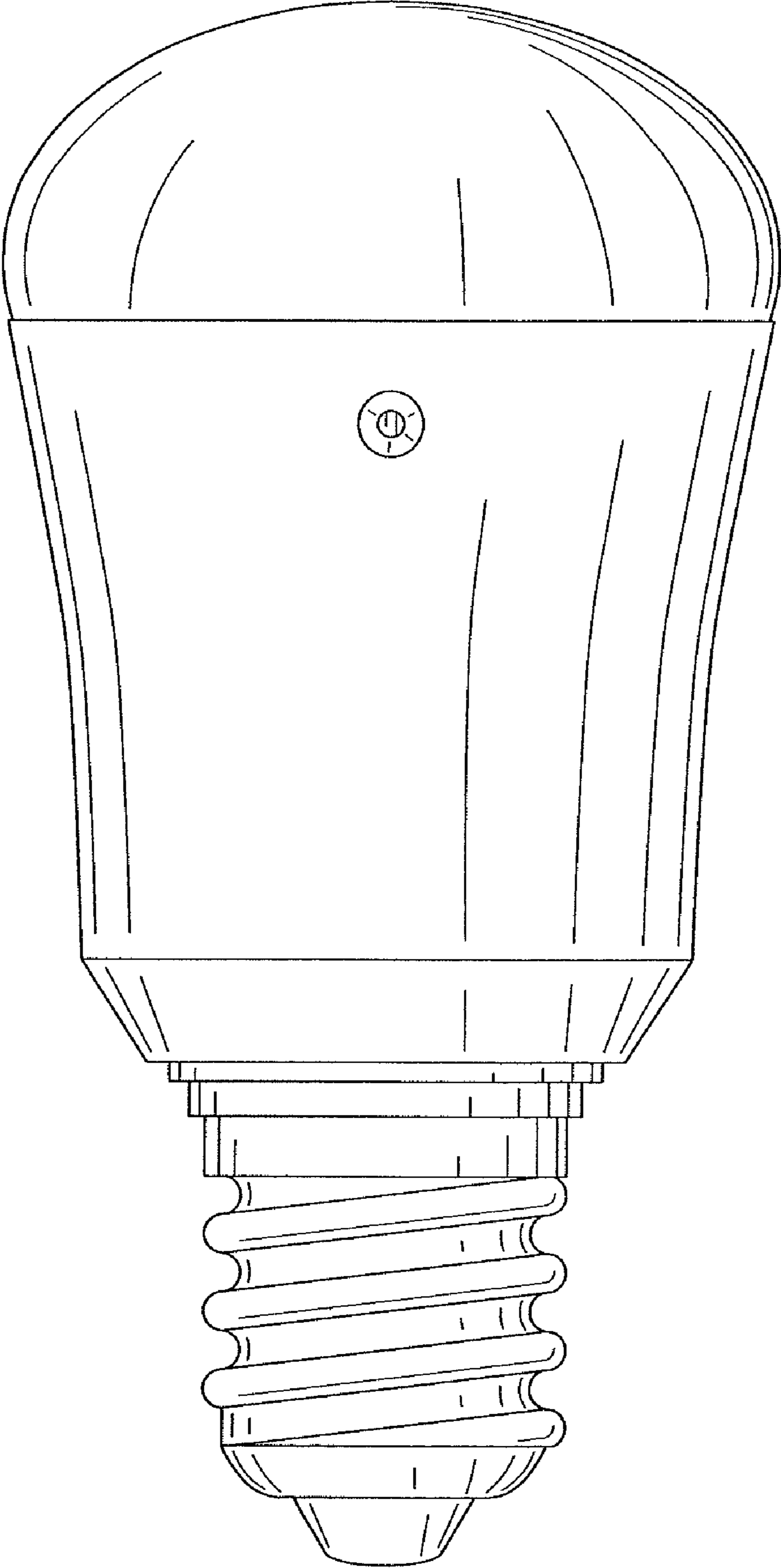


FIG.12

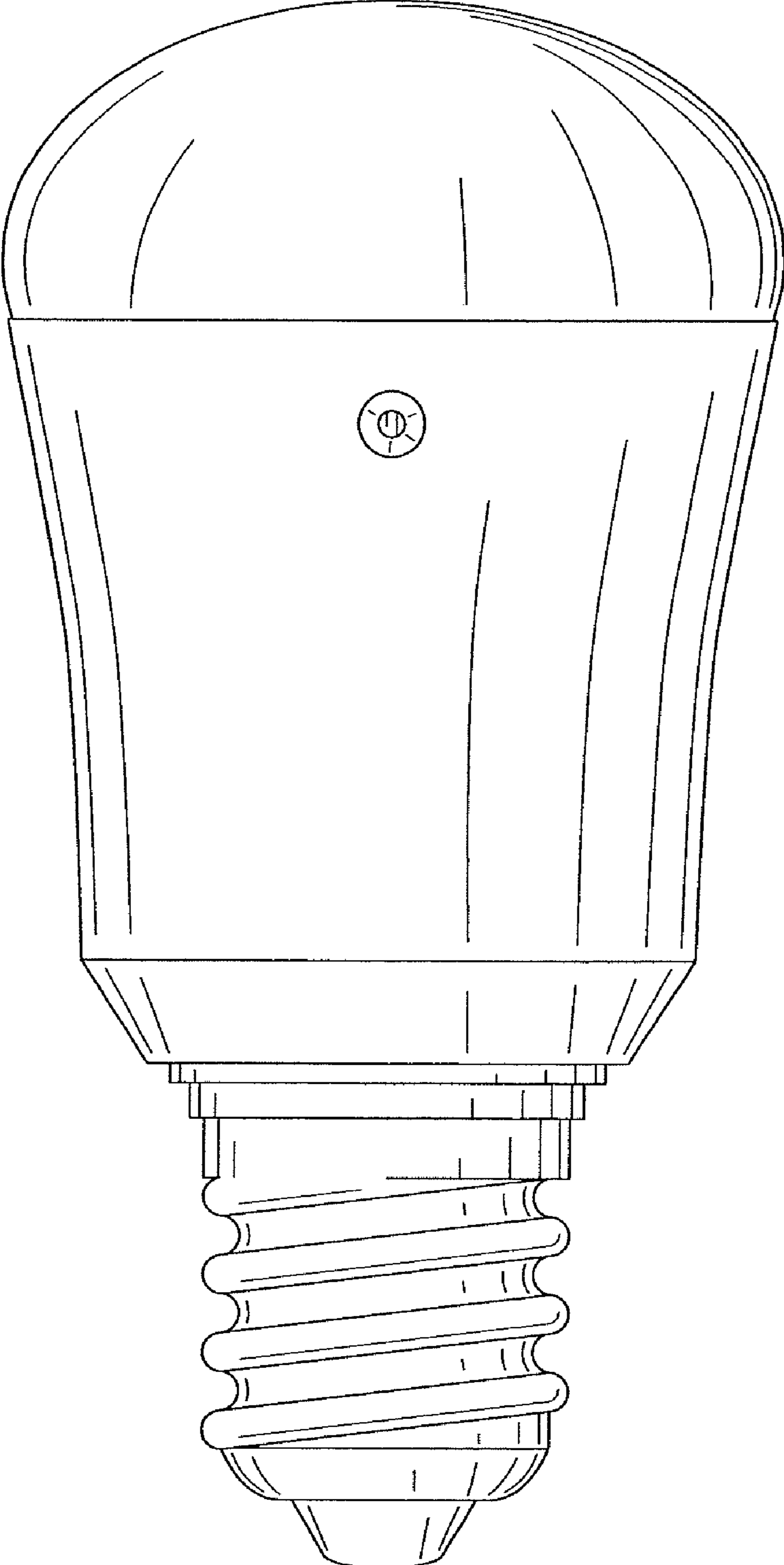


FIG.13

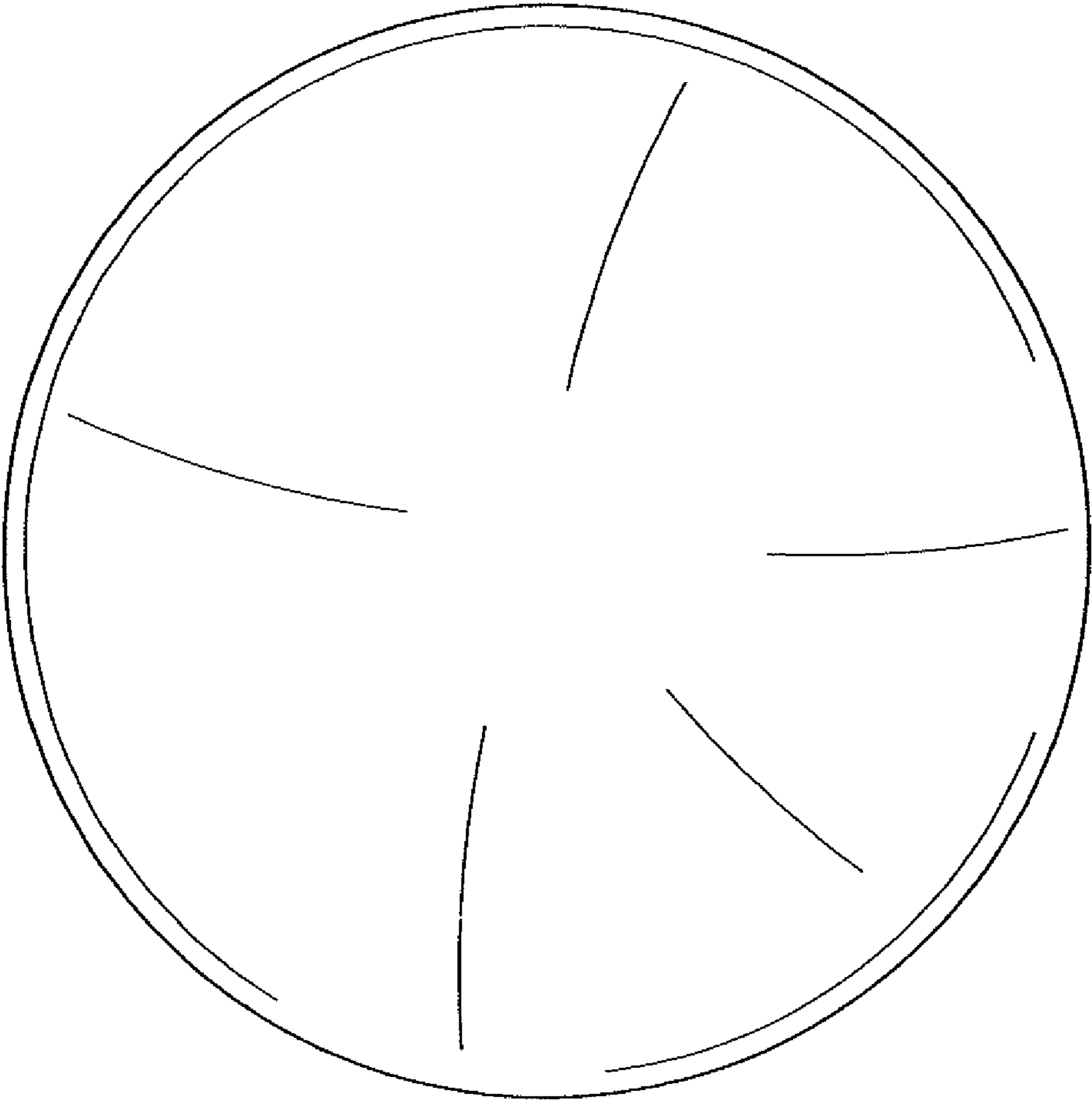


FIG.14

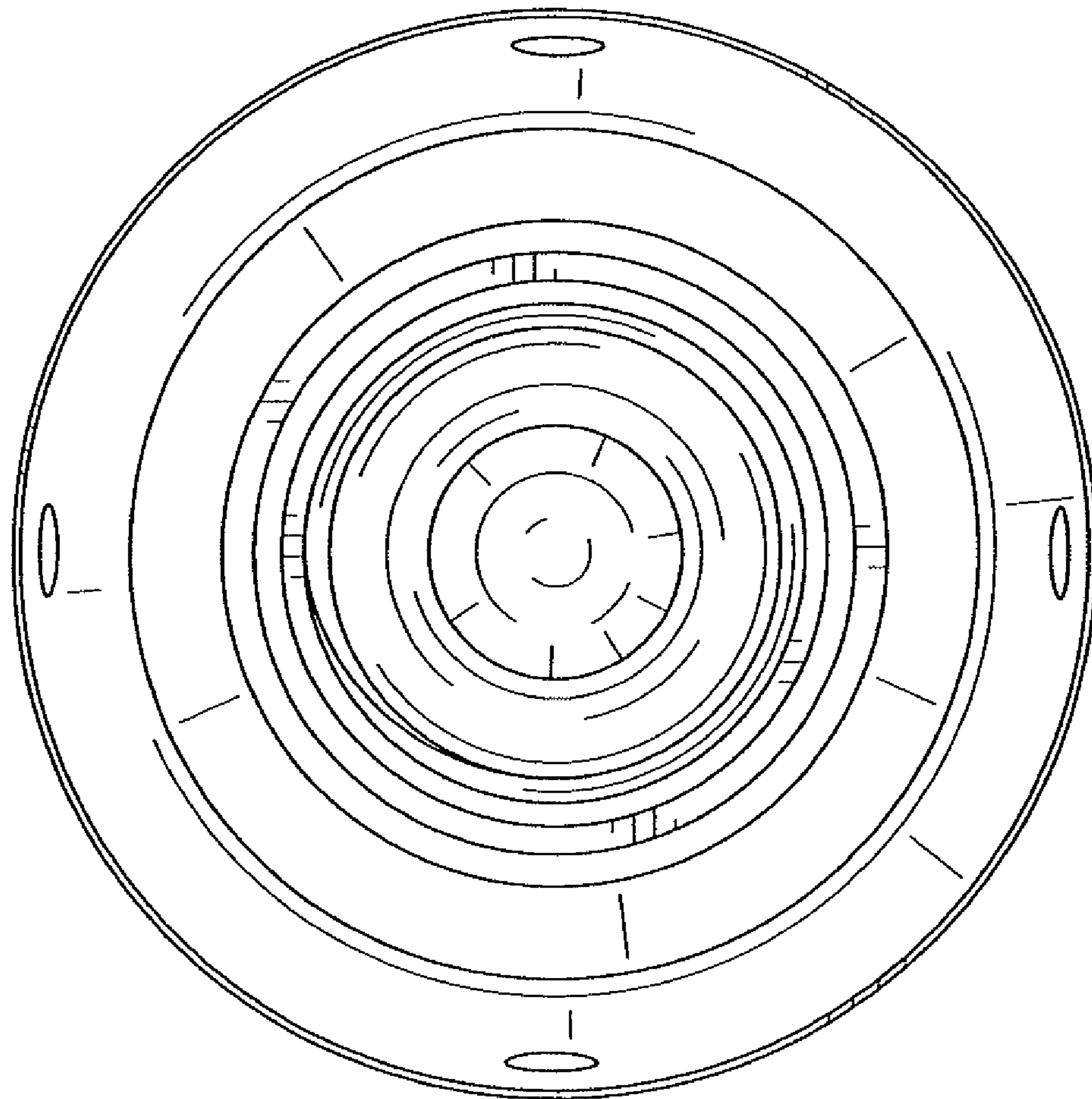


FIG.15

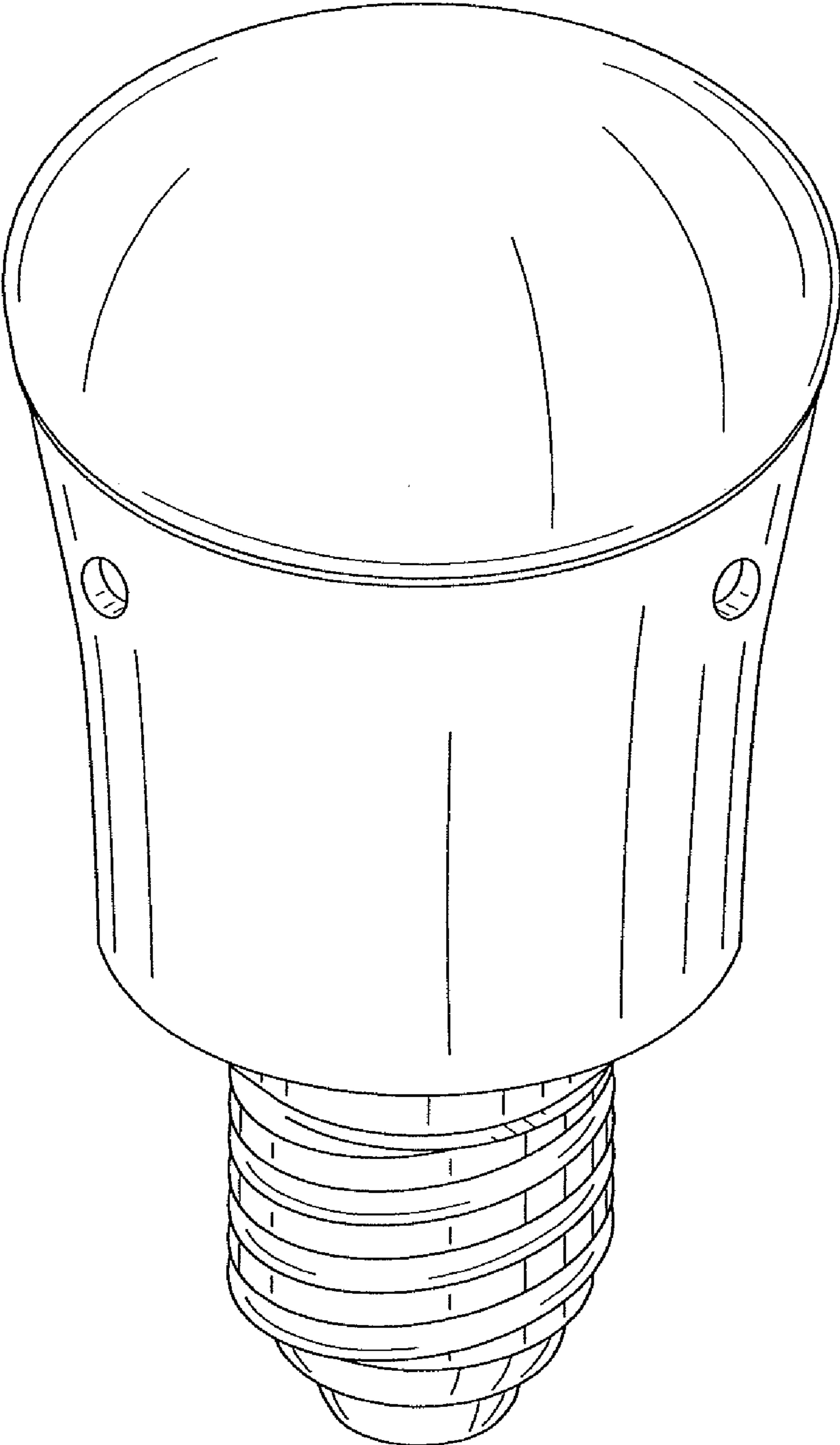


FIG.16

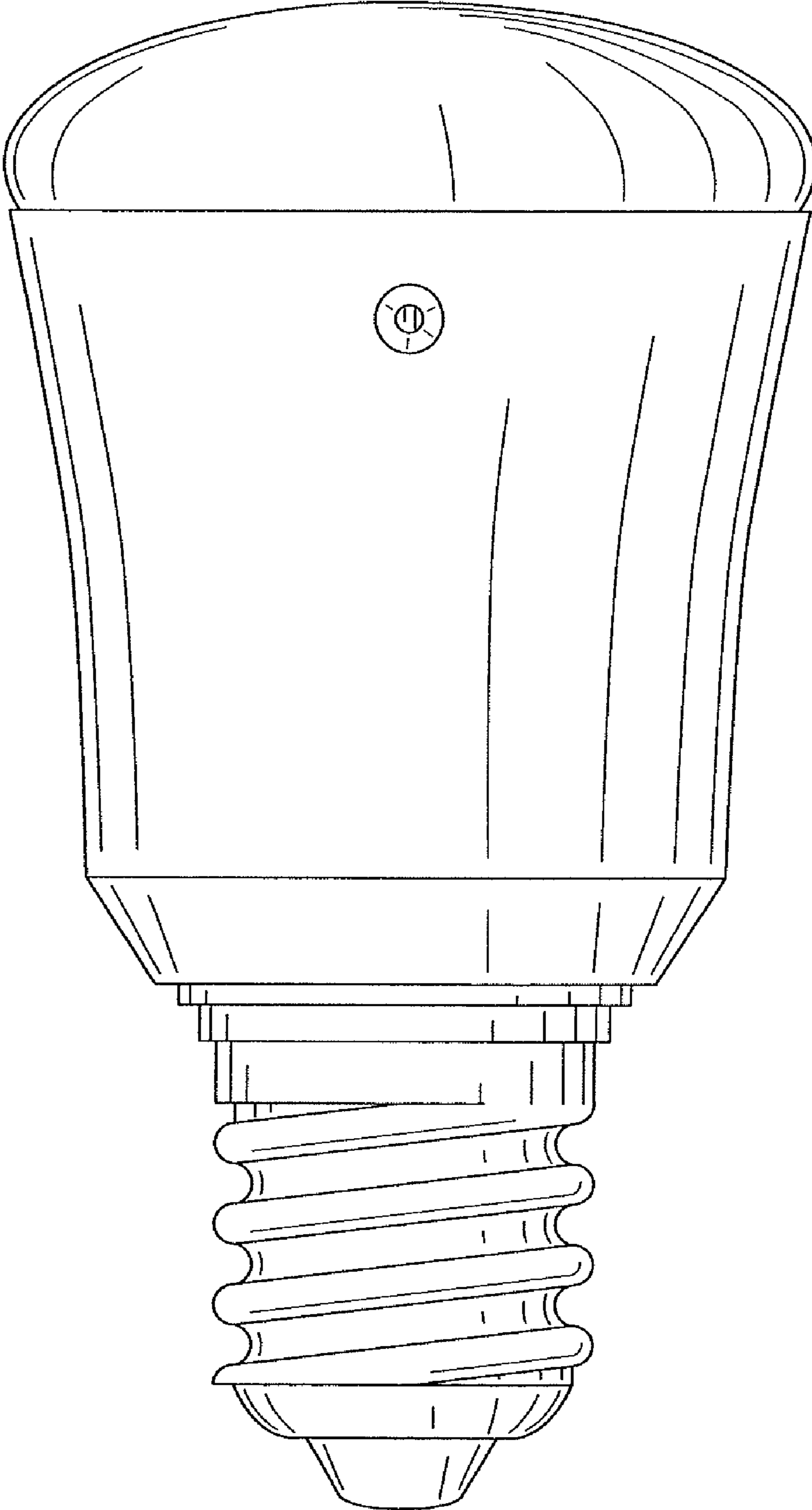


FIG.17

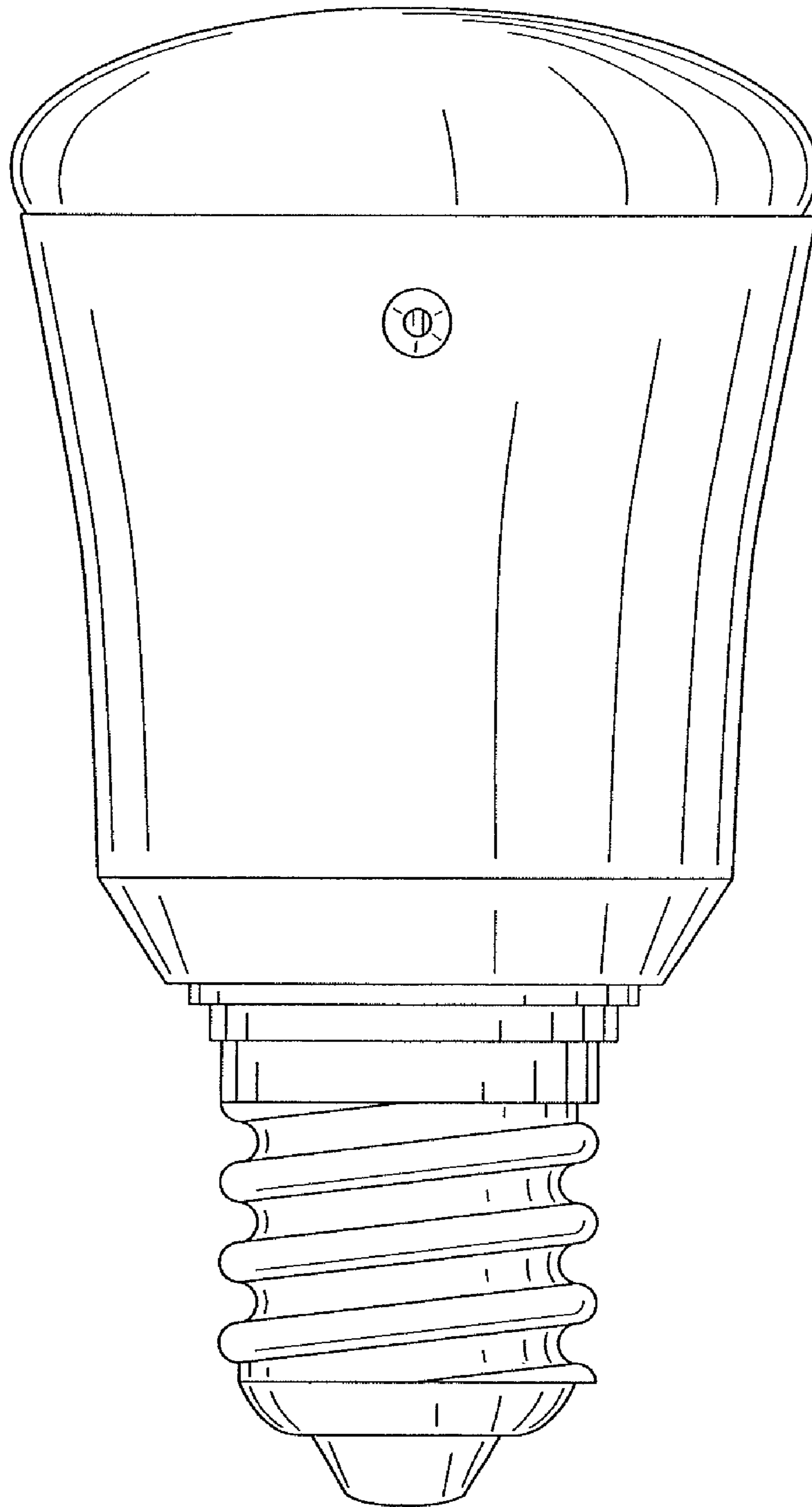


FIG.18

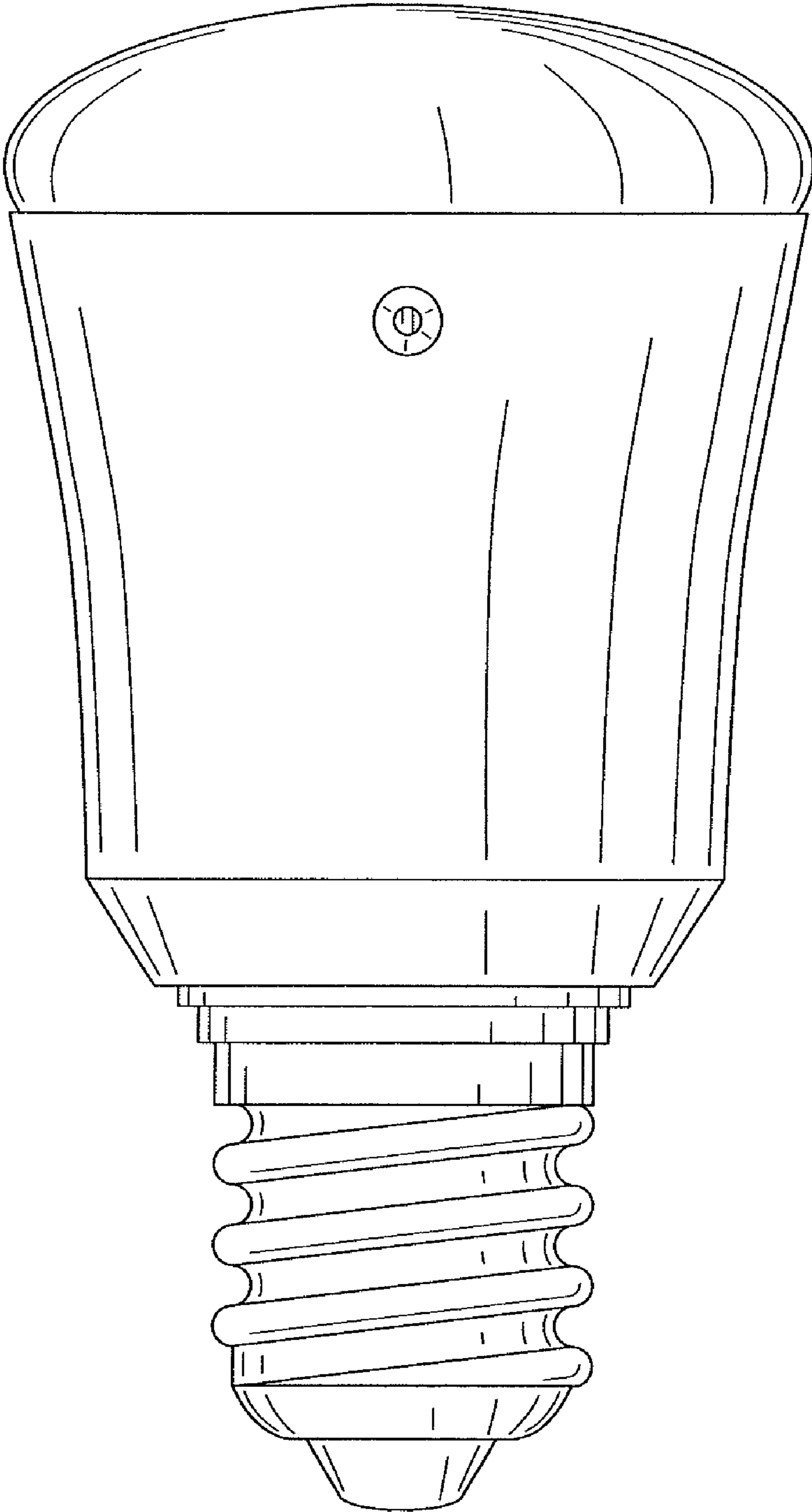


FIG.19

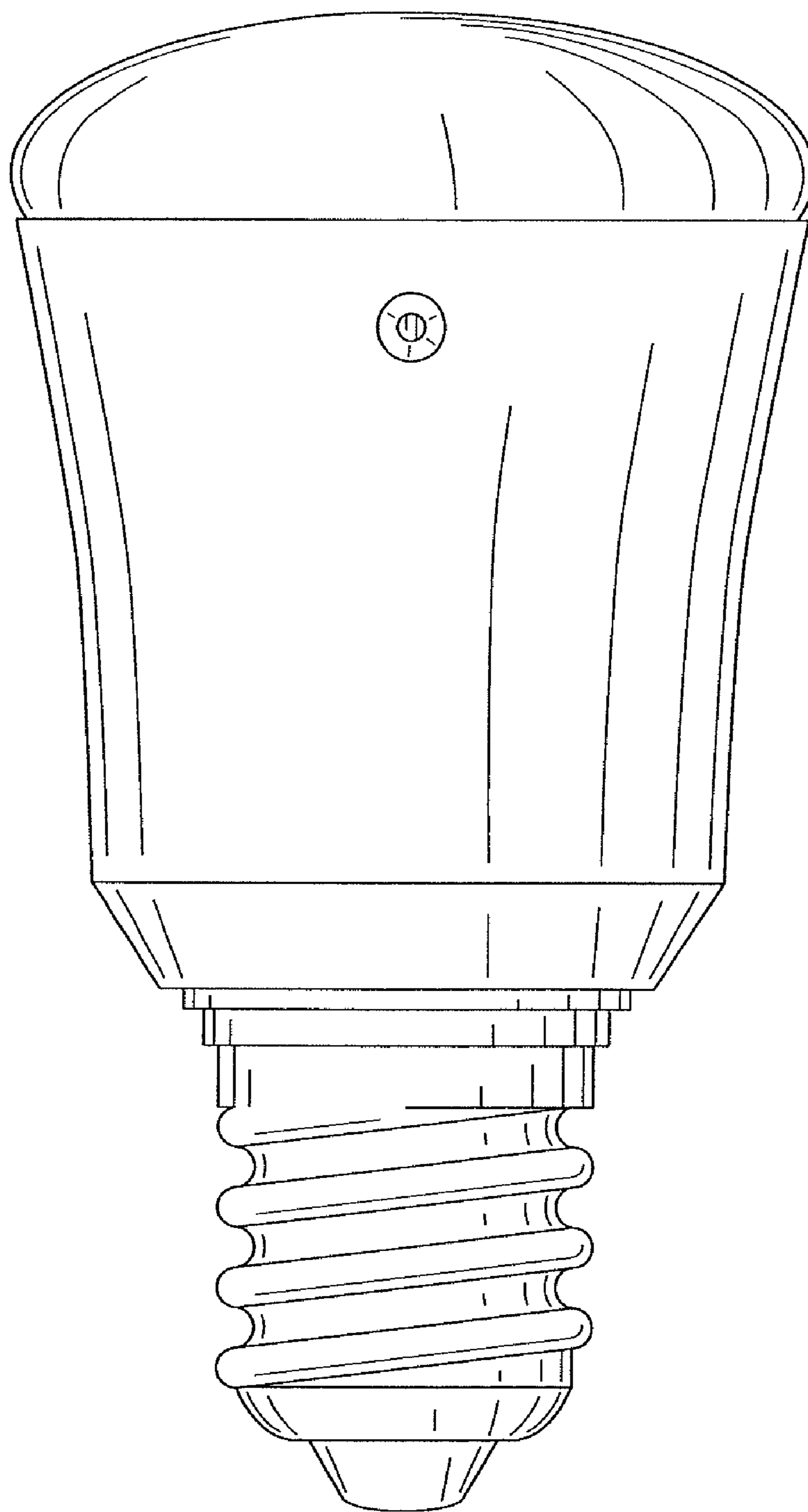


FIG.20

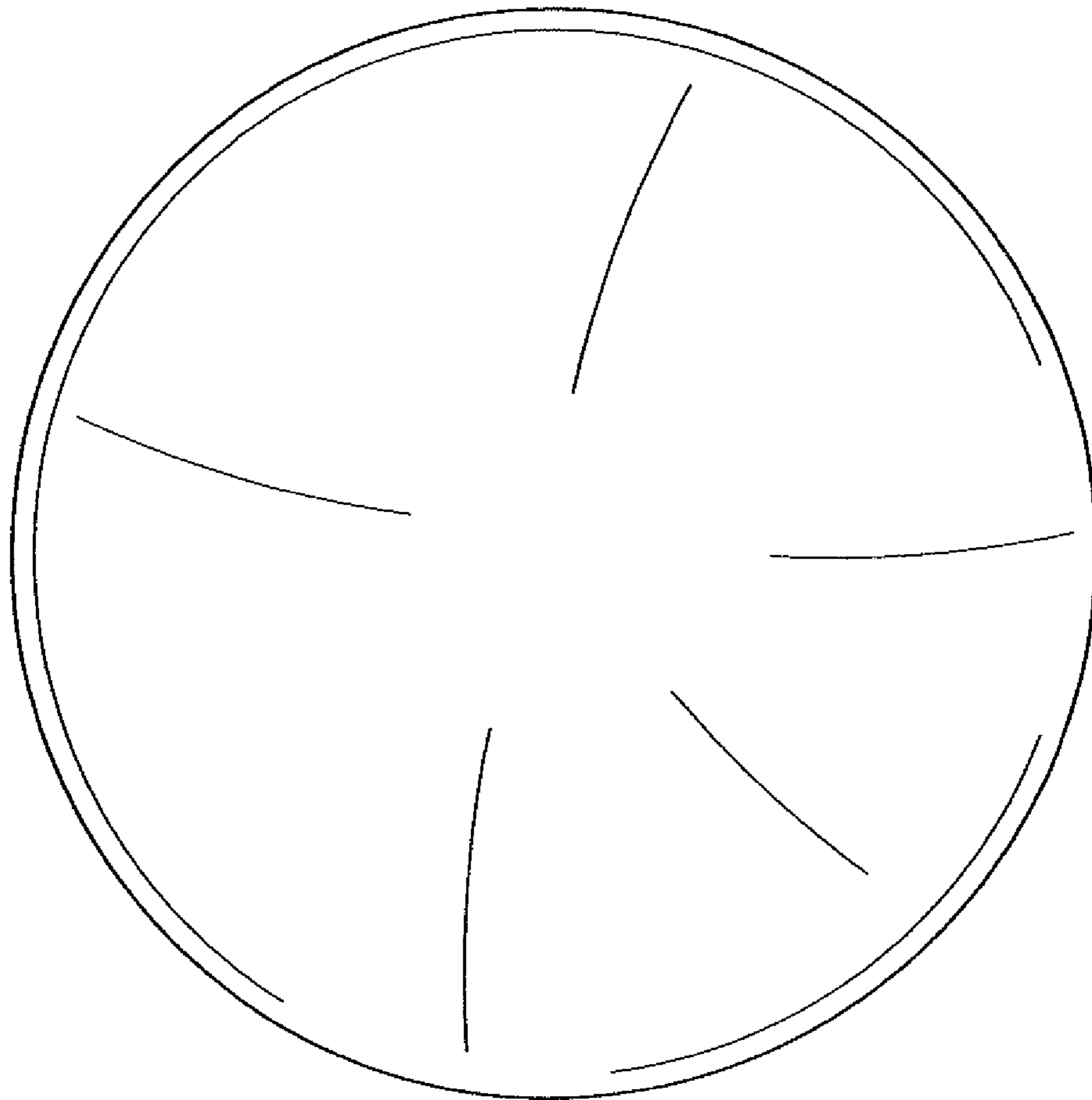


FIG. 21

