



US00D614318S

(12) **United States Design Patent**  
**Lodhie**

(10) **Patent No.:** **US D614,318 S**

(45) **Date of Patent:** **\*\* Apr. 20, 2010**

(54) **LED LIGHT MODULE**

4,868,719 A 9/1989 Kouchi et al.  
4,907,361 A 3/1990 Villard

(76) Inventor: **Pervaiz Lodhie**, 12 Upper Blackwater  
Canyon Rd., Rolling Hills, CA (US)  
90274

(Continued)

(\*\*) Term: **14 Years**

(21) Appl. No.: **29/318,600**

(22) Filed: **Jun. 10, 2008**

(51) **LOC (9) Cl.** ..... **26-04**

(52) **U.S. Cl.** ..... **D26/1; D26/71**

(58) **Field of Classification Search** ..... D26/1,  
D26/24, 67, 68, 71, 72, 80; 362/249.02,  
362/249.03, 249.06, 294; 438/28

See application file for complete search history.

(56) **References Cited**

**U.S. PATENT DOCUMENTS**

1,800,078 A	4/1931	Johnson	
1,838,789 A	12/1931	Schepperle	
2,260,473 A	10/1941	Minchillo	
2,408,643 A	10/1946	Hoy	
D168,812 S *	2/1953	Ulrick	..... D26/67
D183,068 S *	6/1958	Spaulding et al.	..... D26/24
D187,616 S *	4/1960	Husby	..... D26/71
D195,310 S	5/1963	Zagel	
D198,183 S *	5/1964	Akely	..... D26/71
3,183,346 A	5/1965	Spaulding et al.	
D207,551 S *	5/1967	Spaulding et al.	..... D26/71
3,474,381 A	10/1969	Baldwin	
3,539,801 A	11/1970	Bobrick	
3,603,918 A	9/1971	Woertz	
3,718,816 A	2/1973	Seelbach et al.	
3,980,368 A	9/1976	Fremont	
4,190,309 A	2/1980	Glass	
4,211,955 A	7/1980	Ray	
4,214,295 A	7/1980	Morton	
4,217,018 A	8/1980	Yoshida et al.	
4,655,520 A	4/1987	Cummings	
4,727,289 A	2/1988	Uchida	
4,729,742 A	3/1988	Onishi et al.	
4,772,869 A	9/1988	Grammas et al.	
4,812,814 A	3/1989	Elliott	

**OTHER PUBLICATIONS**

Jiashan Ever Advanced Technologies Co., Ltd. LED Modules shown on web page from the Alibaba Manufacturing Directory Nov. 20, 2009.\*

(Continued)

*Primary Examiner*—Clare E Heflin

(74) *Attorney, Agent, or Firm*—Alonzo & Associates; Arlyn Alonzo

(57) **CLAIM**

The ornamental design for an LED light module, as shown and described.

**DESCRIPTION**

FIG. 1 is a perspective view of an LED light module showing the a first embodiment of the new design;

FIG. 2 is a right side view thereof.

FIG. 3 is a left side view thereof.

FIG. 4 is a front view thereof.

FIG. 5 is a back view thereof.

FIG. 6 is a top view thereof.

FIG. 7 is a bottom view thereof.

FIG. 8 is a perspective view thereof showing the back plate removed for ease of illustration only;

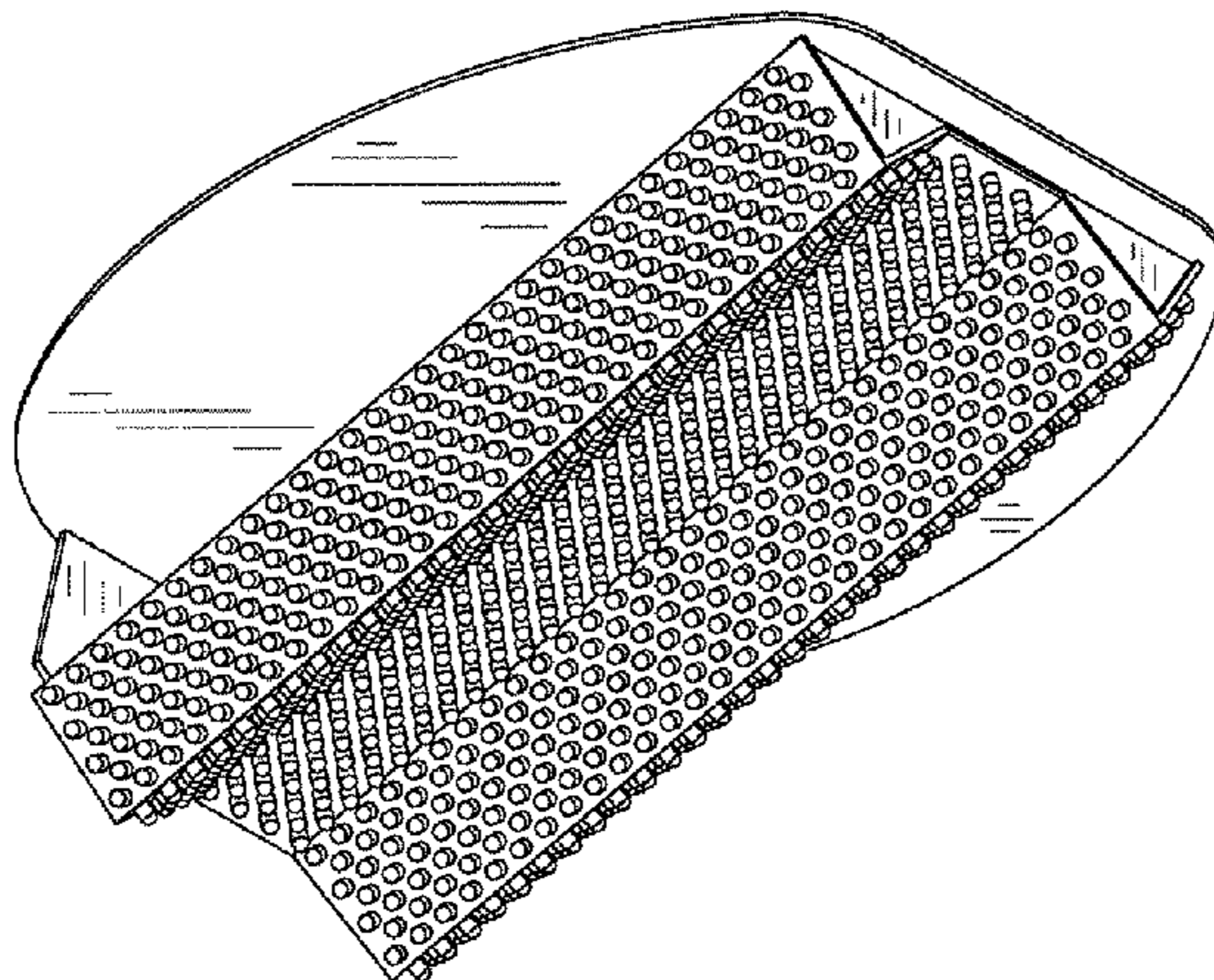
FIG. 9 is a side view thereof showing the design mounted on a street post;

FIG. 10 is a perspective view of an LED light module showing a second embodiment of the new design; and,

FIG. 11 is a perspective view thereof showing the back plate removed for ease of illustration only.

The street post and the housing of the LED light module of FIG. 9 (shown in phantom) do not form part of the design.

**1 Claim, 9 Drawing Sheets**



# US D614,318 S

Page 2

U.S. PATENT DOCUMENTS					
			6,286,978	B1 *	9/2001 Tait et al. .... 362/249.06
4,965,457	A	10/1990 Wrobel	6,336,613	B1	1/2002 Roth
5,055,984	A	10/1991 Hung et al.	6,345,902	B2	2/2002 Ohkohdo et al.
D326,532	S	5/1992 Hume et al.	6,371,636	B1	4/2002 Wesson
5,119,174	A	6/1992 Chen	6,457,270	B1	10/2002 Stark, III et al.
5,151,679	A	9/1992 Dimmick	6,457,410	B1	10/2002 Zerillo
5,152,601	A	10/1992 Ferng	6,550,949	B1	4/2003 Bauer et al.
5,154,509	A	10/1992 Wulfman et al.	6,580,228	B1	6/2003 Chen et al.
5,160,200	A	11/1992 Cheselske	6,598,996	B1	7/2003 Lodhie
5,160,201	A	11/1992 Wrobel	6,659,622	B2	12/2003 Katogi et al.
5,193,904	A	3/1993 Rist et al.	6,659,623	B2	12/2003 Friend
5,224,773	A	7/1993 Arimura	6,659,632	B2	12/2003 Chen
5,237,490	A	8/1993 Ferng	6,700,502	B1	3/2004 Pederson
5,241,457	A	8/1993 Sasajima et al.	6,722,771	B1	4/2004 Stephens
5,303,124	A	4/1994 Wrobel	6,768,047	B2	7/2004 Chang et al.
5,353,209	A	10/1994 Foottit	6,773,148	B2 *	8/2004 Kasboske ..... 362/493
5,390,092	A	2/1995 Lin	6,814,459	B2	11/2004 Pederson
D356,876	S *	3/1995 Waldmann ..... D26/107	6,942,361	B1	9/2005 Kishimura et al.
5,400,228	A	3/1995 Kao	7,063,451	B2	6/2006 Shen
5,410,453	A	4/1995 Ruskouski	7,111,957	B2	9/2006 Bernhart et al.
5,453,729	A	9/1995 Chu	7,234,832	B2	6/2007 Lippis et al.
5,526,236	A	6/1996 Burnes et al.	7,237,932	B2	7/2007 Ter Hovhannissian
5,567,036	A	10/1996 Theobald et al.	D578,697	S *	10/2008 Zheng et al. .... D26/71
5,577,832	A	11/1996 Lodhie	D599,942	S *	9/2009 Zheng ..... D26/71
5,585,783	A	12/1996 Hall	D600,847	S *	9/2009 Wung et al. .... D26/71
5,588,740	A	12/1996 Kasuga	7,585,090	B2 *	9/2009 Wu ..... 362/249.02
5,599,086	A	2/1997 Dutta	2002/0163805	A1	11/2002 Hubbell et al.
5,629,607	A	5/1997 Callahan et al.	2002/0171543	A1	11/2002 Abbe et al.
5,647,658	A	7/1997 Ziadi	2002/0196707	A1	12/2002 Kitchin et al.
5,661,374	A	8/1997 Cassidy et al.	2003/0095404	A1	5/2003 Becks et al.
5,661,645	A	8/1997 Hochstein	2003/0102810	A1	6/2003 Cross et al.
D385,051	S	10/1997 Wu	2004/0012959	A1	1/2004 Robertson et al.
5,702,177	A	12/1997 Lin	2004/0062041	A1	4/2004 Cross et al.
D388,726	S	1/1998 Wu	2006/0109661	A1	5/2006 Coushaine et al.
5,710,560	A	1/1998 Cohn	2007/0139930	A1 *	6/2007 Spivak ..... 362/294
5,765,940	A	6/1998 Levy et al.	2007/0230184	A1 *	10/2007 Shuy ..... 362/294
5,772,315	A	6/1998 Shen	2009/0135599	A1 *	5/2009 Lin et al. .... 362/249.02
5,793,164	A	8/1998 Authier	2009/0141494	A1 *	6/2009 Zhang et al. .... 362/249.03
5,803,585	A	9/1998 Littman et al.	2009/0168418	A1 *	7/2009 Zheng et al. .... 362/234
5,806,965	A	9/1998 Deese	2009/0185374	A1 *	7/2009 Wu et al. .... 362/249.06
D402,772	S	12/1998 Lodhie			
5,842,297	A	12/1998 Tung			
D404,506	S	1/1999 Lodhie			
5,855,268	A	1/1999 Zoladz, Jr.			
D405,201	S	2/1999 Lodhie			
5,887,968	A	3/1999 Logan			
5,921,660	A	7/1999 Yu			
5,929,788	A	7/1999 Vukosic			
5,947,588	A	9/1999 Huang			
5,964,051	A	10/1999 Loeber et al.			
5,984,494	A	11/1999 Chapman et al.			
6,011,493	A	1/2000 Bushell et al.			
6,013,985	A	1/2000 Green et al.			
D434,510	S	11/2000 Lodhie			
6,152,568	A	11/2000 Baba et al.			
6,220,722	B1	4/2001 Begemann			
6,227,679	B1	5/2001 Zhang et al.			
6,234,648	B1	5/2001 Borner et al.			
6,250,774	B1 *	6/2001 Begemann et al. .... 362/231			
6,283,612	B1	9/2001 Hunter			

## OTHER PUBLICATIONS

U.S. Appl. No. 11/928,349, filed Oct. 30, 2007, Lodhie.  
 U.S. Appl. No. 29/302,219, filed Jan. 11, 2008, Lodhie.  
 U.S. Appl. No. 29/322,471, filed Aug. 5, 2008, Lodhie.  
 U.S. Appl. No. 29/323,210, filed Aug. 20, 2008, Lodhie.  
 U.S. Appl. No. 29/324,267, filed Sep. 9, 2008, Lodhie.  
 U.S. Appl. No. 11/924,496, filed Oct. 25, 2007, Lodhie.  
 U.S. Appl. No. 29/302,184, filed Jan. 11, 2008, Lodhie.  
 U.S. Appl. No. 12/137,337, filed Jun. 11, 2008, Lodhie.  
 U.S. Appl. No. 29/318,602, filed Jun. 10, 2008, Lodhie.  
 U.S. Appl. No. 29/318,604, filed Jun. 10, 2008, Lodhie.  
 Four (4) photographs of an LED light fixture that is commercially available.  
 LED light fixtures available on the following website: [www.hollysolar.com](http://www.hollysolar.com).  
 LED light fixtures available on the following website: [www.geblighting.com](http://www.geblighting.com).

\* cited by examiner

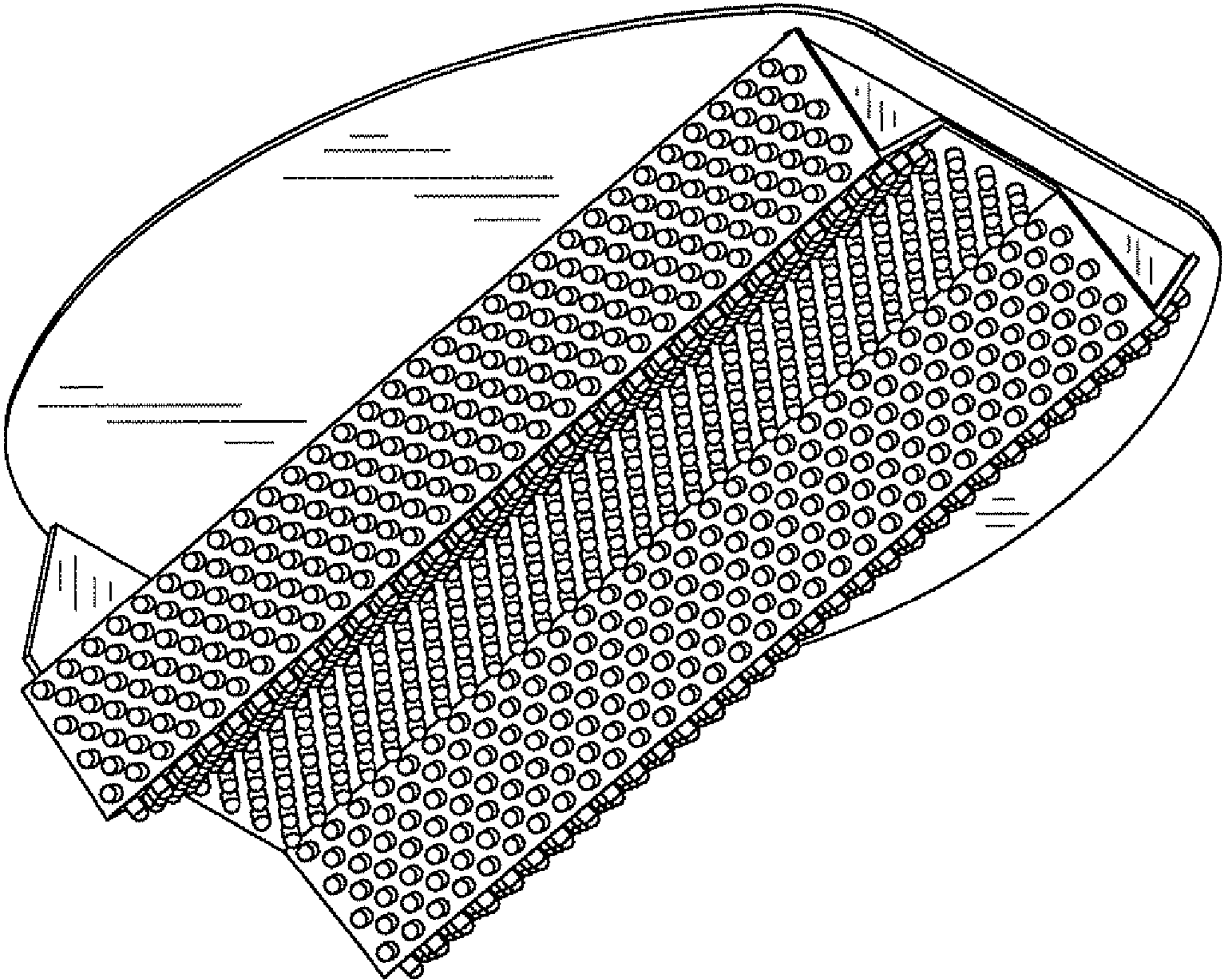


FIG.1

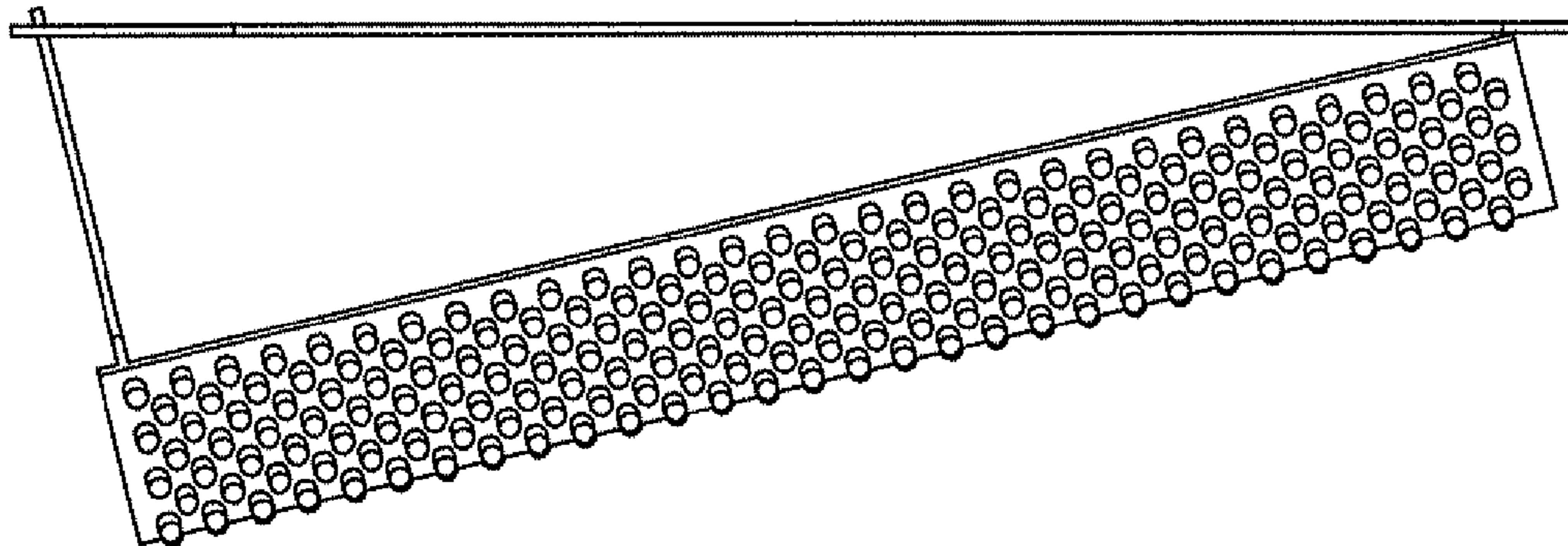


FIG. 2

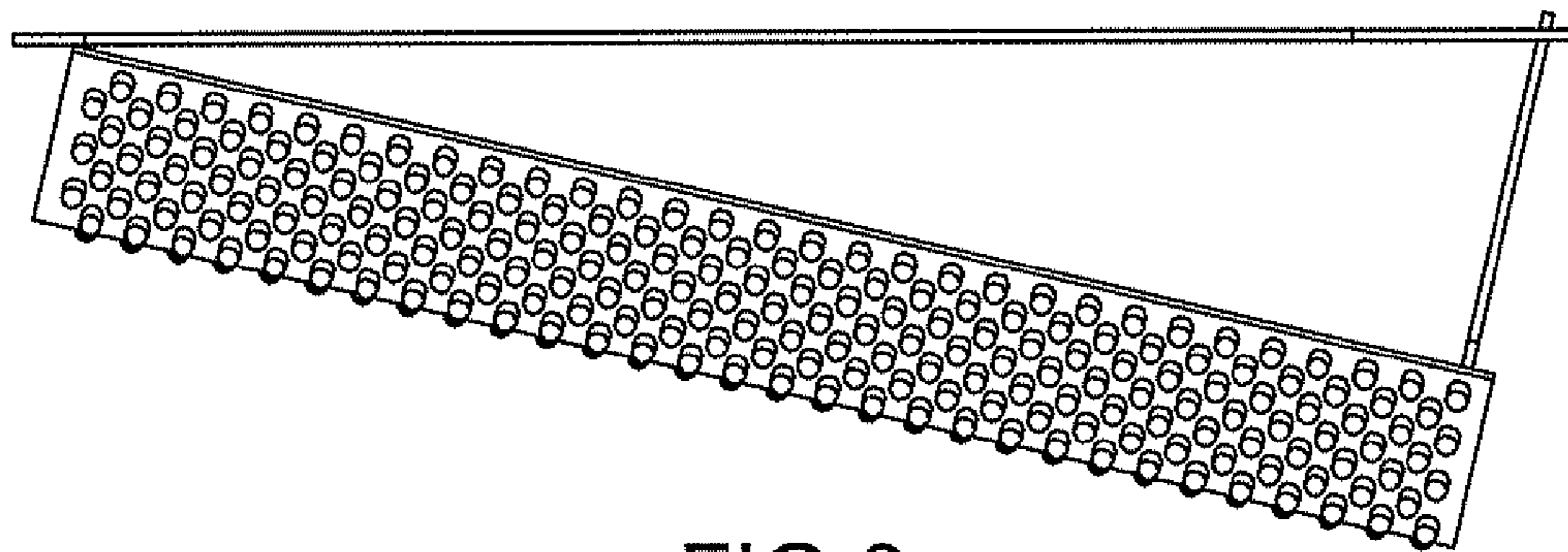


FIG. 3

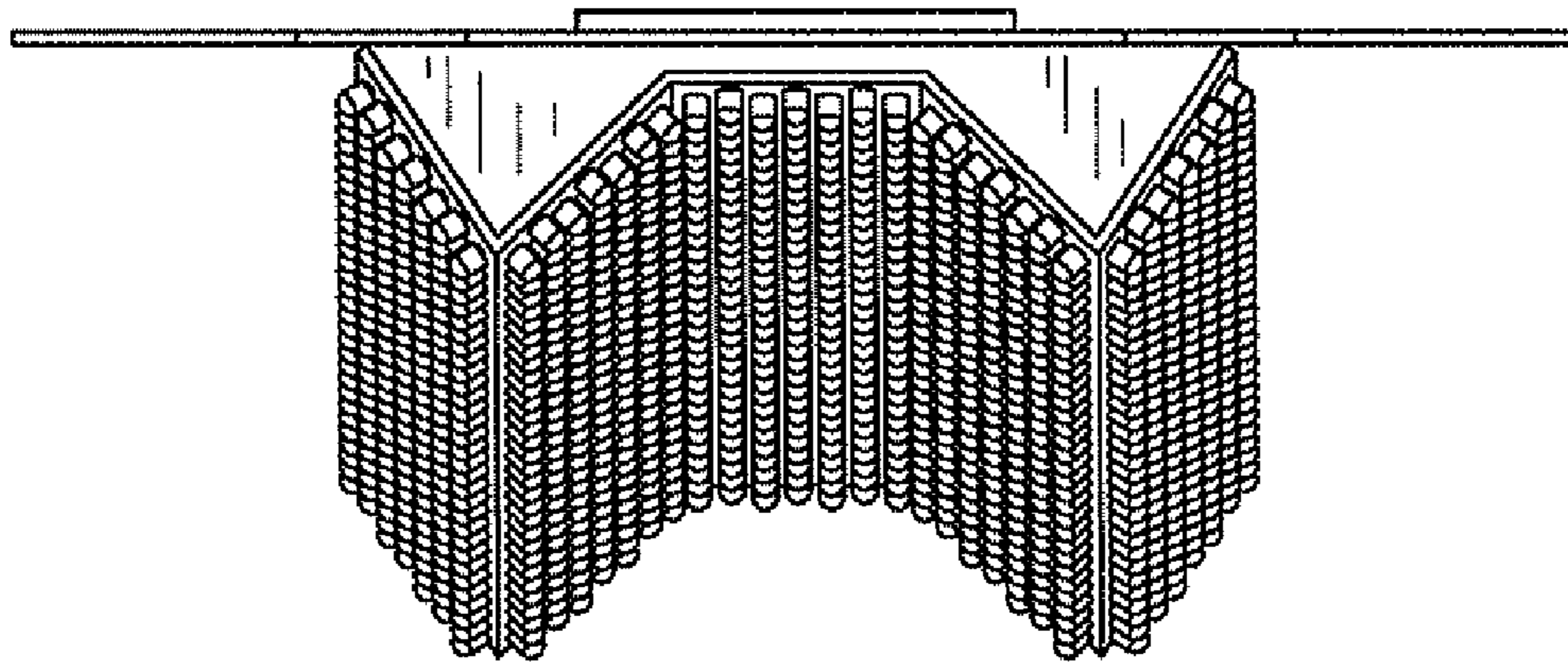


FIG. 4

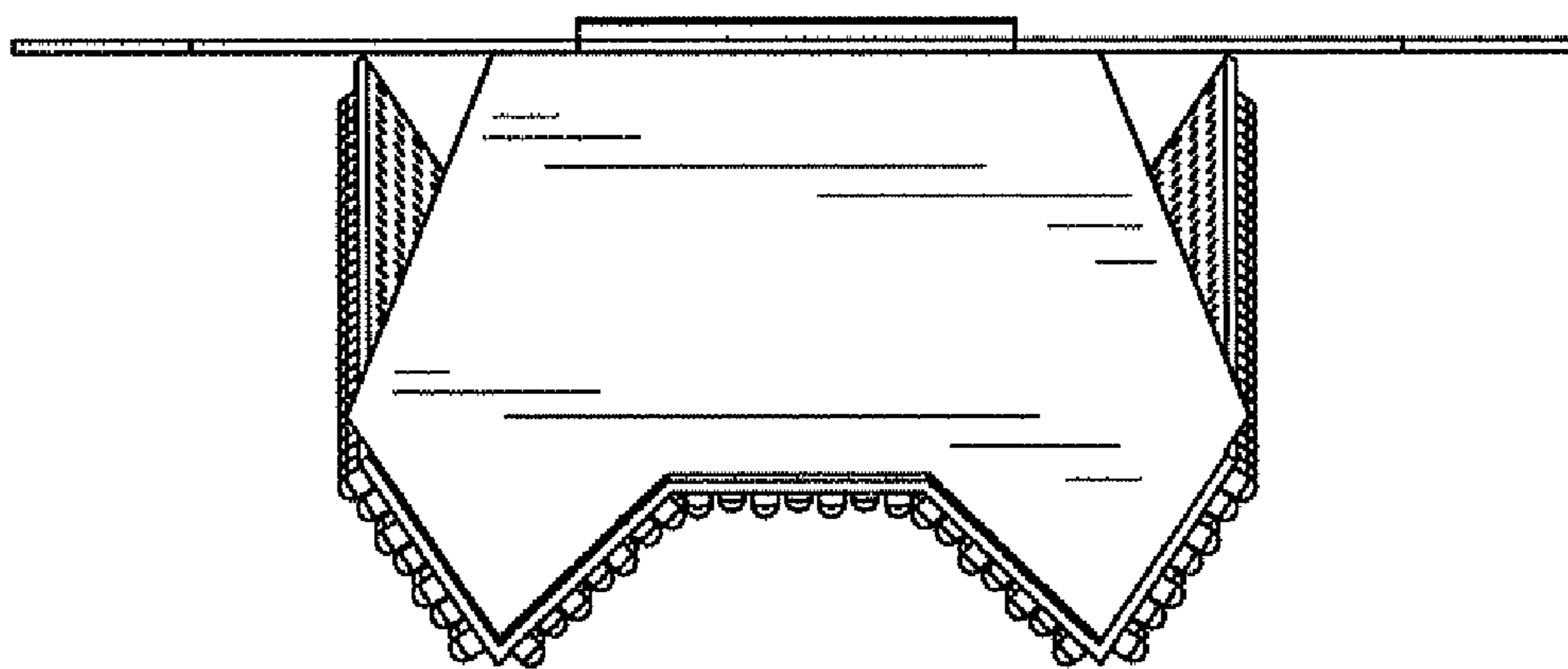


FIG. 5

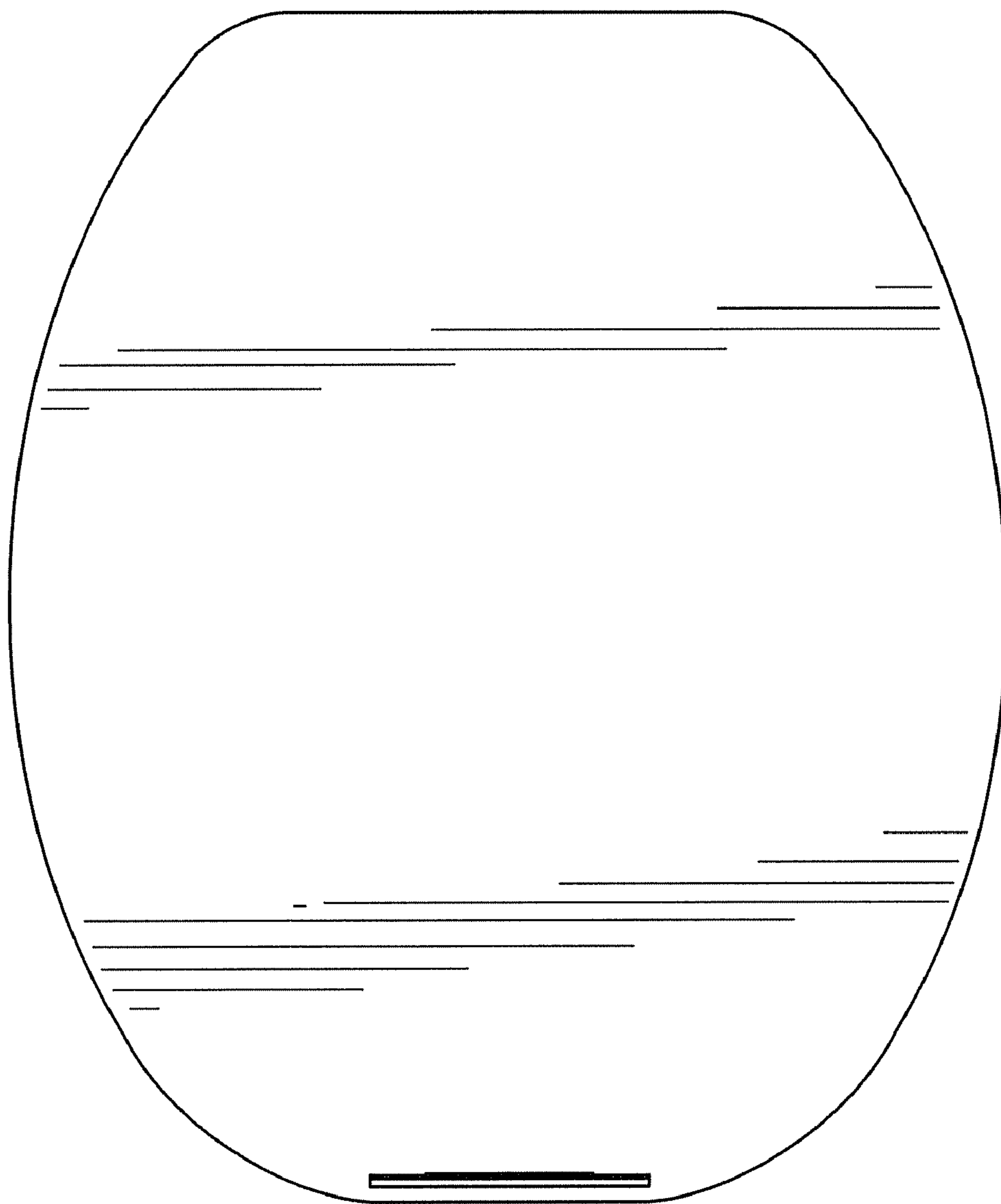


FIG. 6

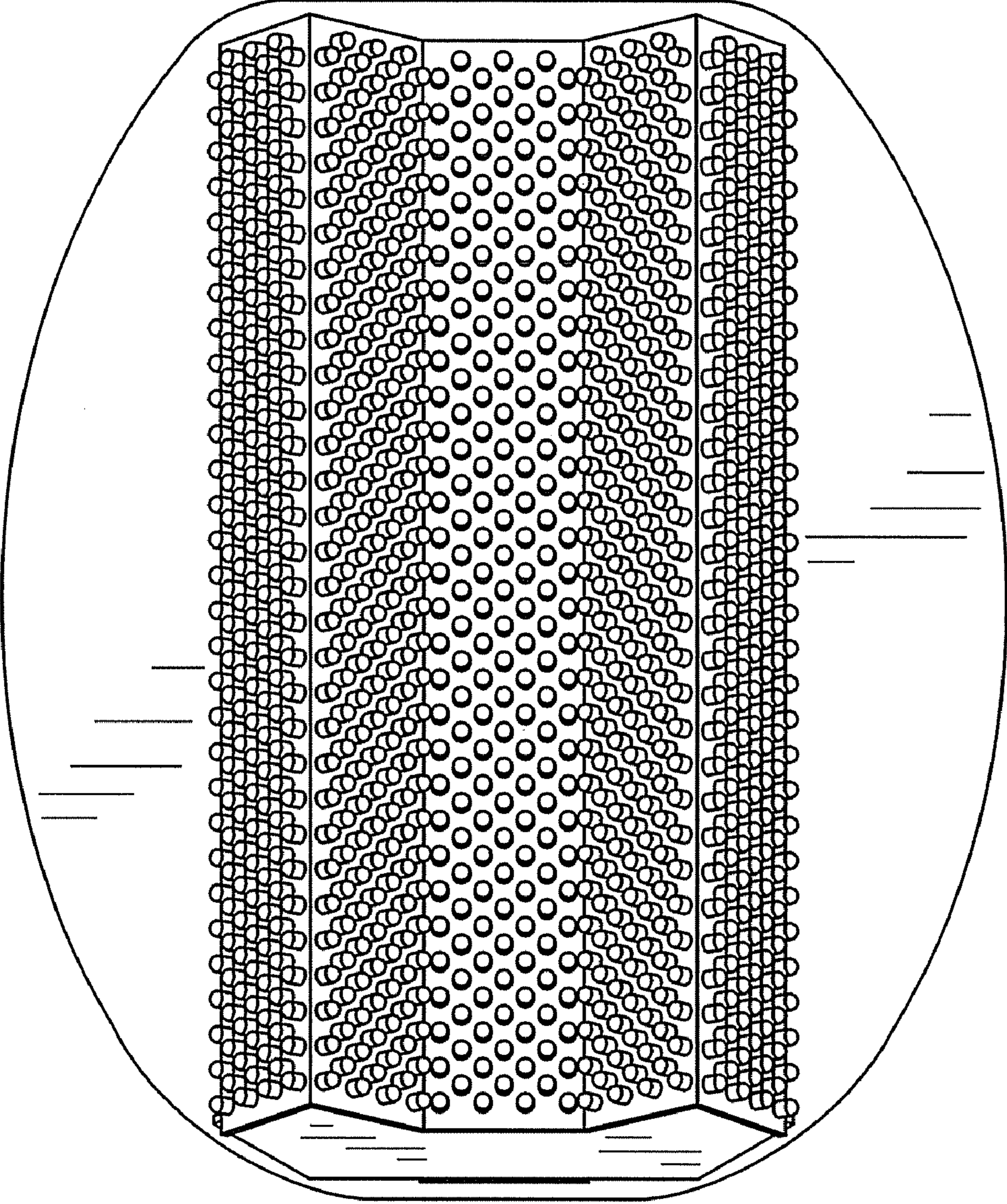


FIG.7

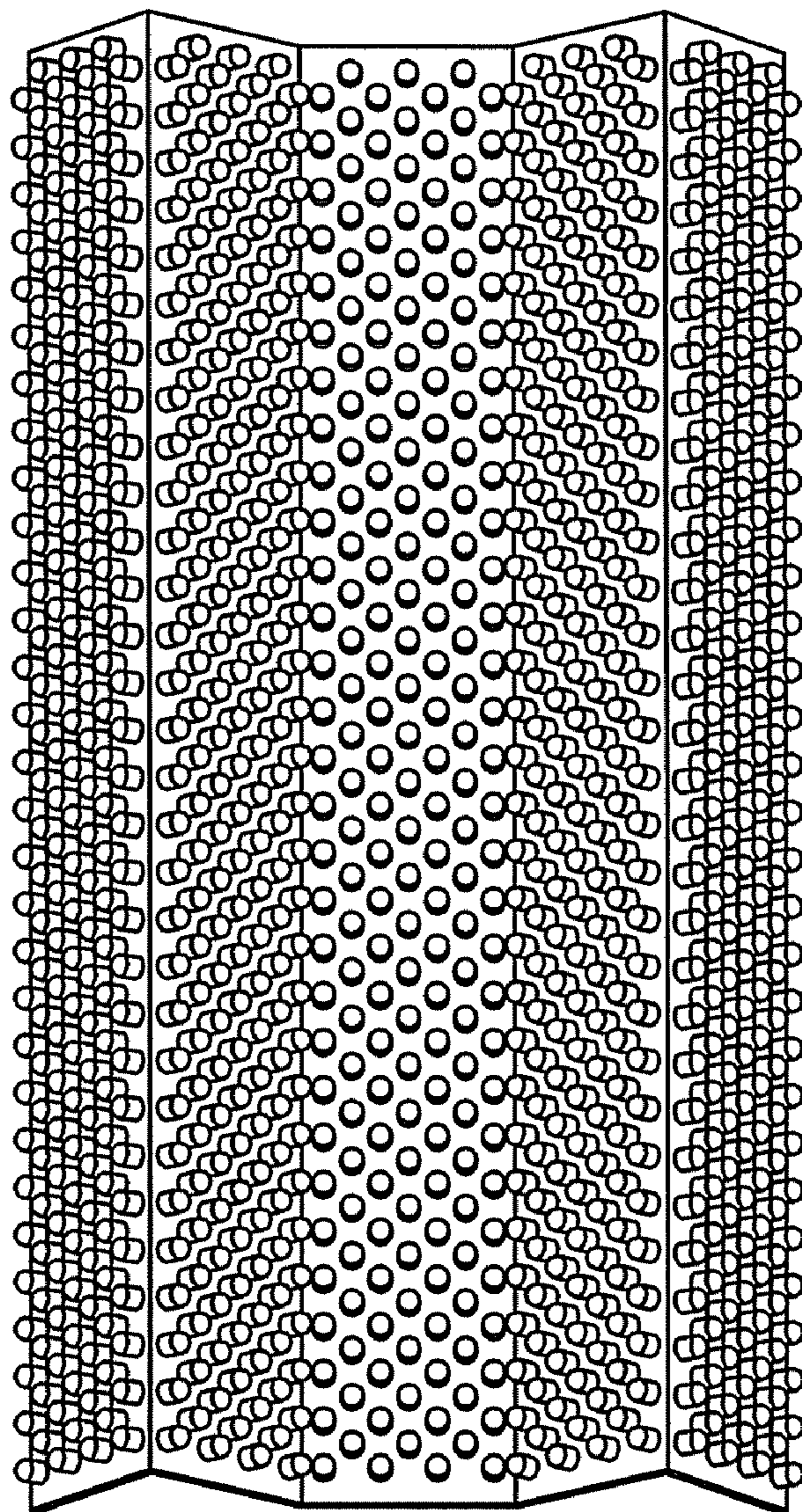
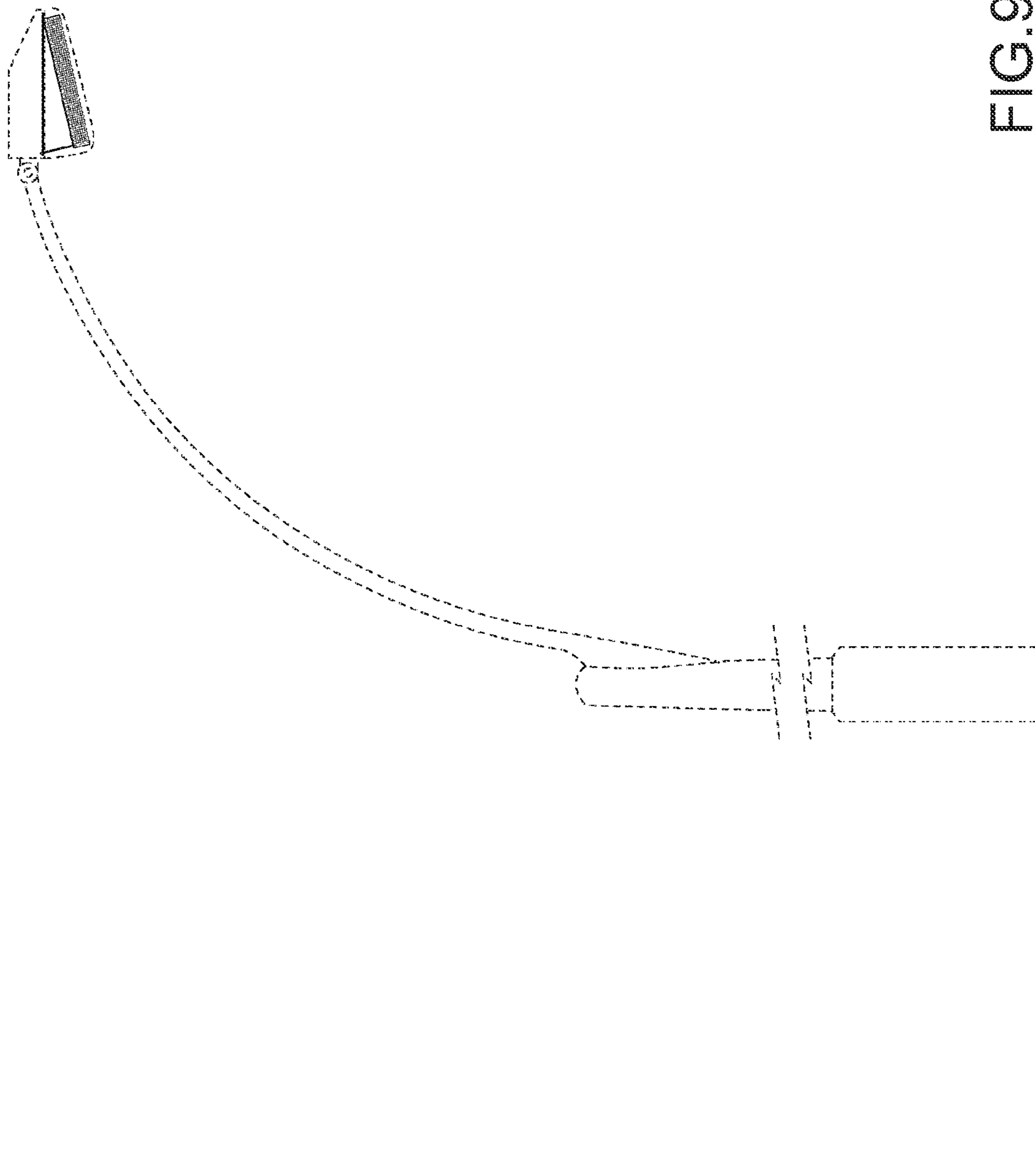


FIG.8





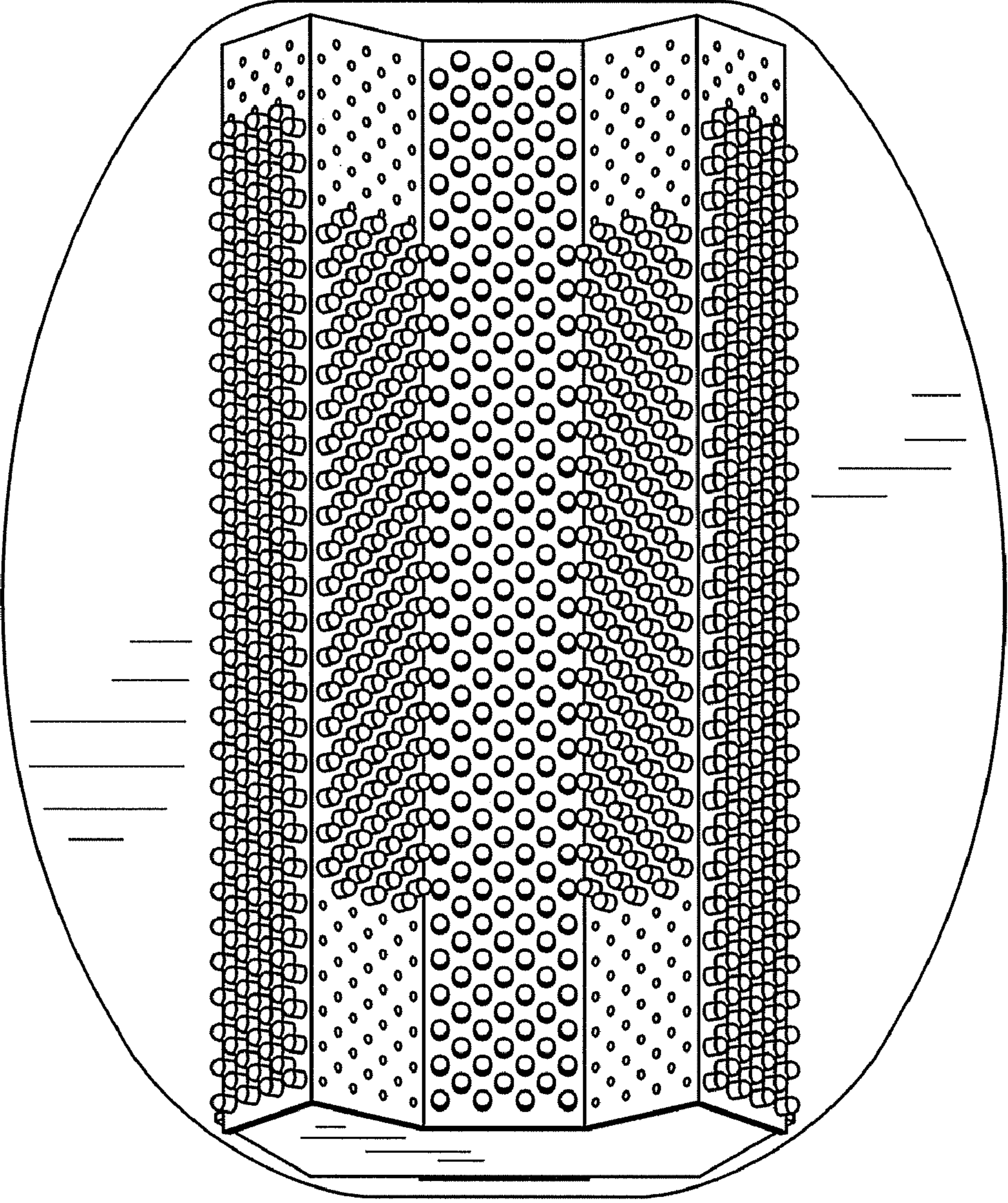


FIG. 10

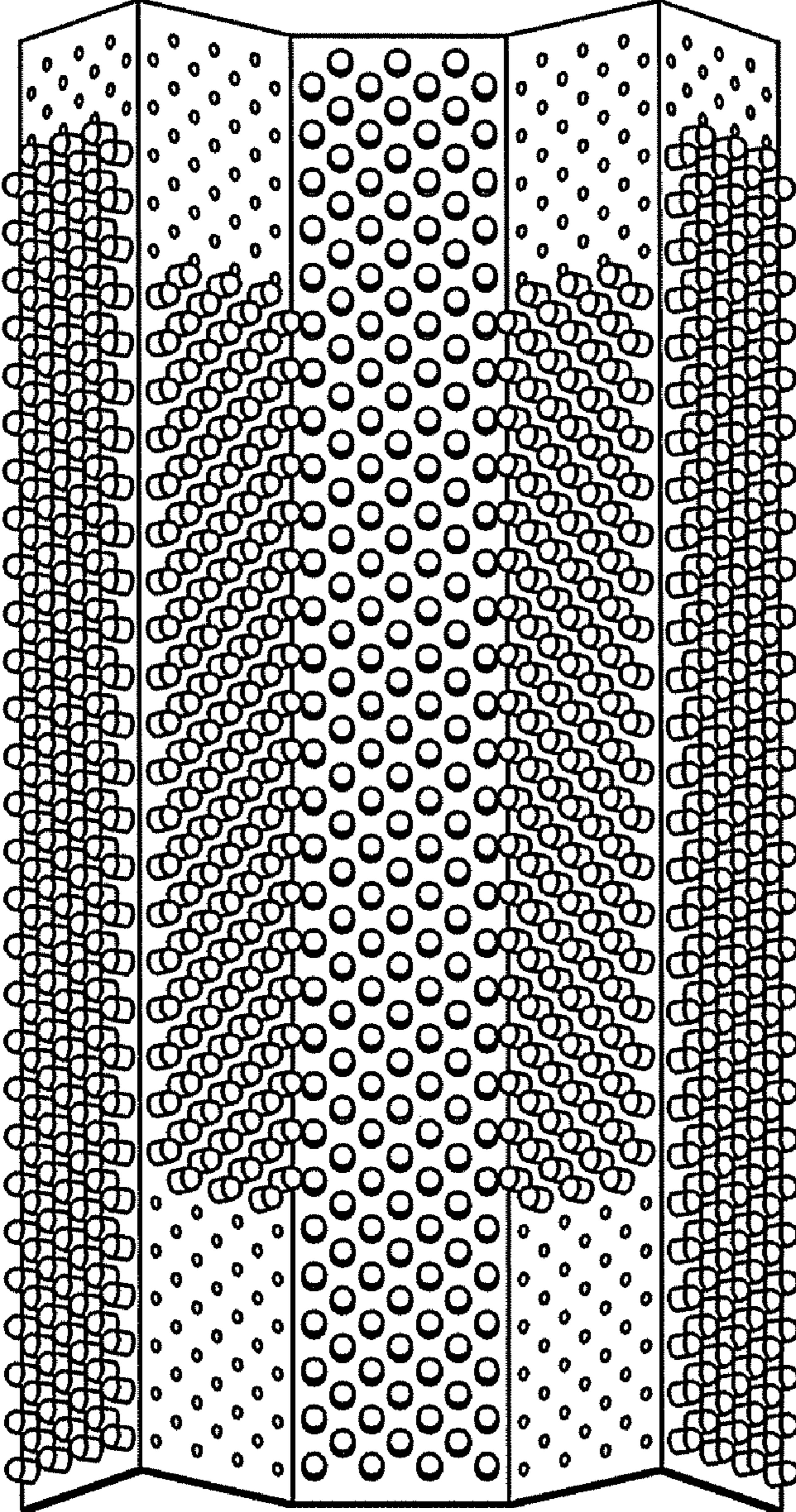


FIG.11