



US00D614313S

(12) **United States Design Patent**
Yen

(10) **Patent No.:** **US D614,313 S**
(45) **Date of Patent:** **** Apr. 20, 2010**

(54) **GLASS WINDOW**

(76) Inventor: **Hubert Jyh-Ren Yen**, 7222 E. Gage Ave., Commerce, CA (US) 90040

(**) Term: **14 Years**

(21) Appl. No.: **29/316,783**

(22) Filed: **Oct. 29, 2009**

D265,932 S *	8/1982	Simpson	D25/48
D336,139 S *	6/1993	Wilkening et al.	D25/103
5,411,780 A *	5/1995	Kaefer	428/38
D380,840 S *	7/1997	Lint et al.	D25/103
D384,423 S *	9/1997	Lint et al.	D25/103
5,753,341 A *	5/1998	Peng	428/122
D440,320 S *	4/2001	Ben-Ezra	D25/48
6,461,705 B2 *	10/2002	Eichhorn	428/38
D490,910 S *	6/2004	Alexander	D25/103
D493,003 S *	7/2004	Alexander	D25/103
D502,552 S *	3/2005	Alexander	D25/103

* cited by examiner

Related U.S. Application Data

(62) Division of application No. 29/291,472, filed on Aug. 29, 2007, now Pat. No. Des. 607,581.

Primary Examiner—Doris Clark

(51) **LOC (9) Cl.** **25-01**

(52) **U.S. Cl.** **D25/103**

(58) **Field of Classification Search** D25/103,
D25/48; 52/455, 630, 474, 764; 49/DIG. 2;
428/45, 38

See application file for complete search history.

(57) **CLAIM**

I claim the ornamental design for a glass window, as shown and described.

(56) **References Cited**

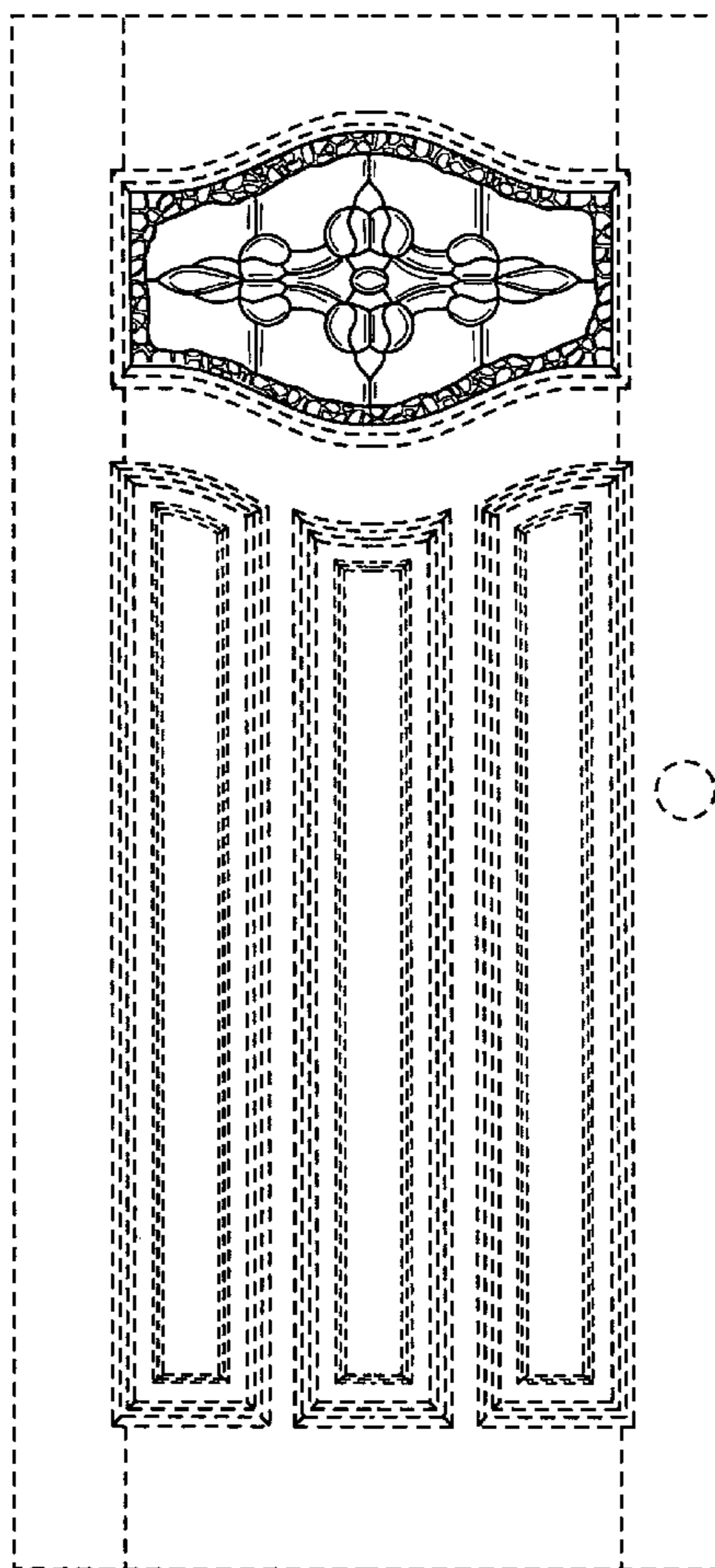
U.S. PATENT DOCUMENTS

D265,931 S * 8/1982 Simpson D25/48

DESCRIPTION

FIG. 1 is a front elevation view of a glass window of the present invention. The broken lines are for illustrative purposes only and form no part of the claimed design; and, FIG. 2 is a rear elevation view thereof.

1 Claim, 2 Drawing Sheets



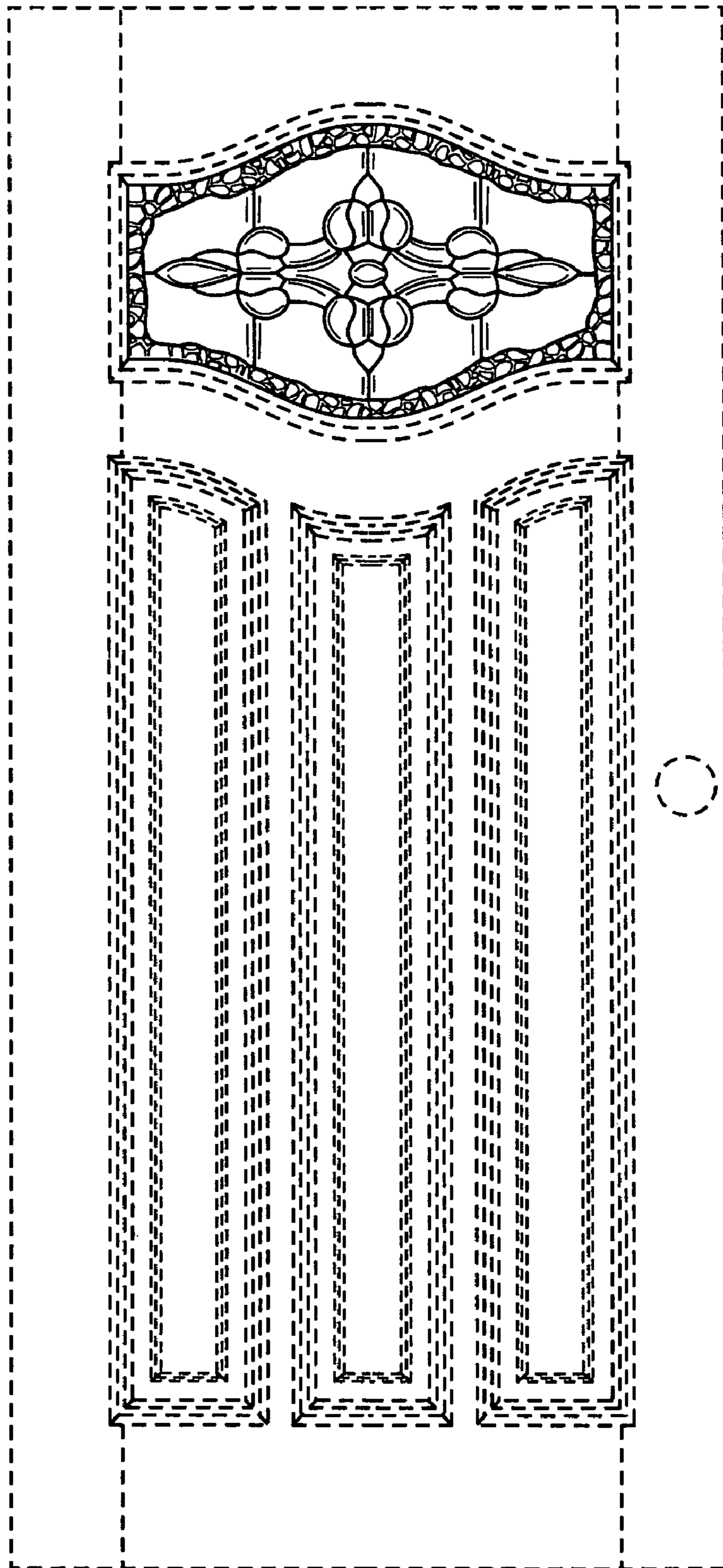


FIG. 1

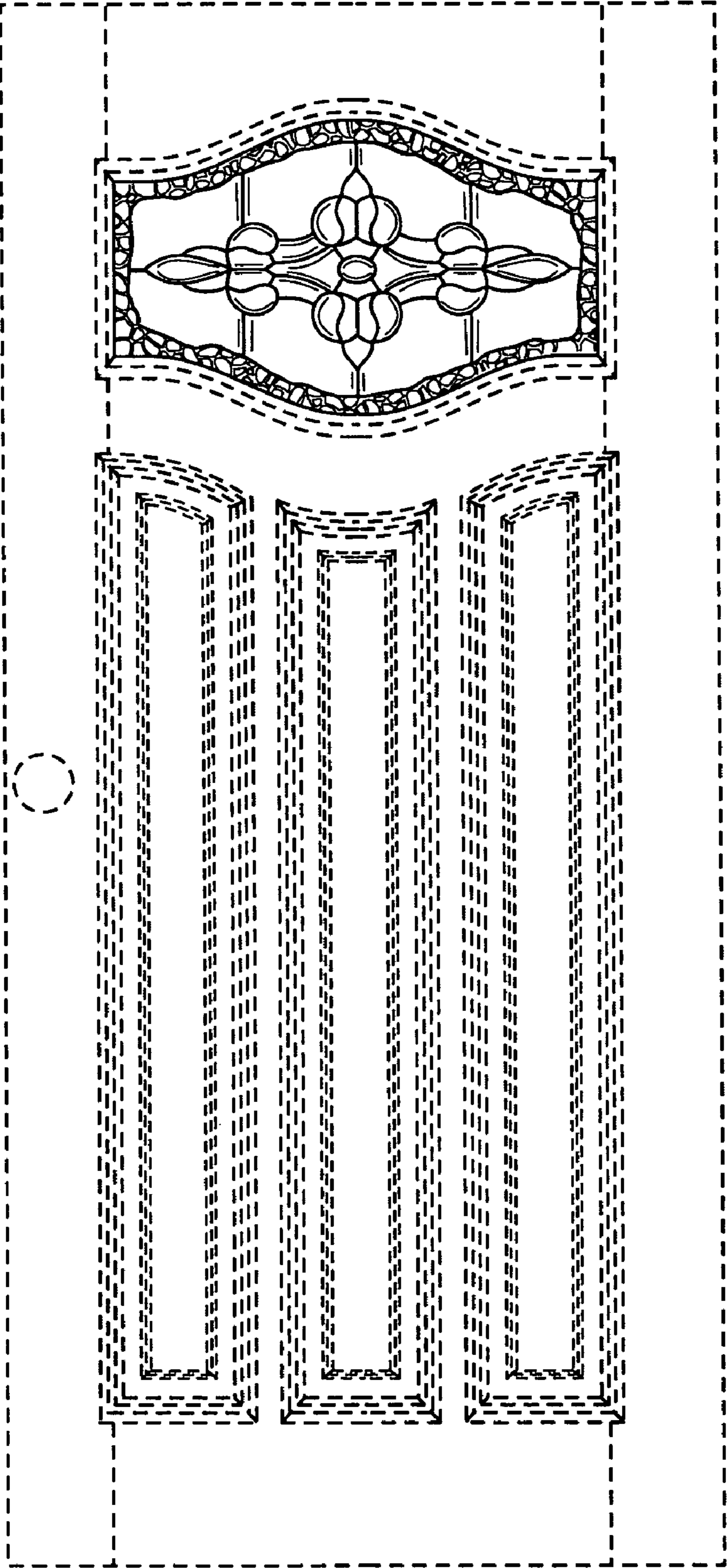


FIG. 2